

Robert Bosch Power Tools GmbH  
70538 Stuttgart  
GERMANY

[www.bosch-pt.com](http://www.bosch-pt.com)

1 609 92A 3ZK (2018.09) T / 53



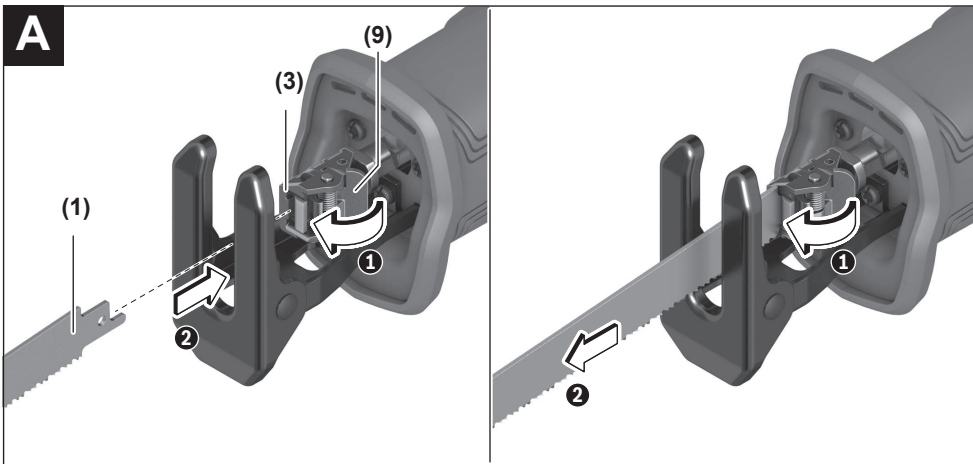
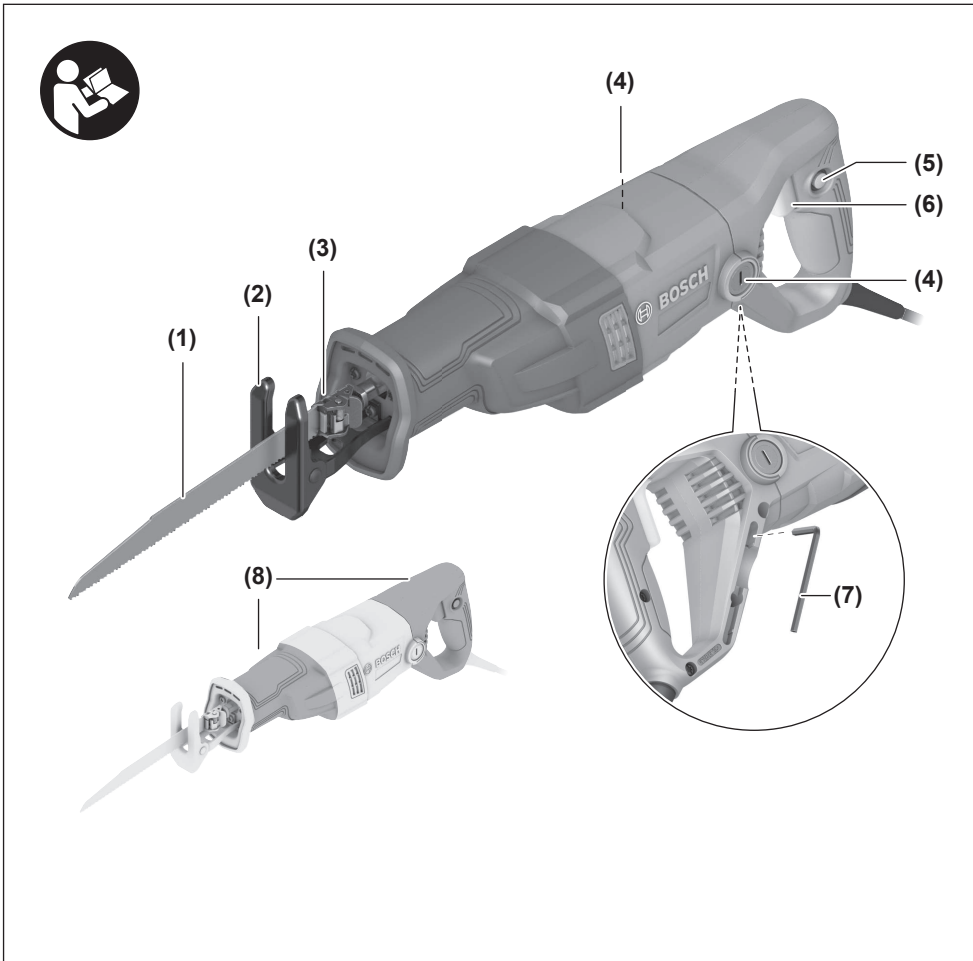
1 609 92A 3ZK

# GSA 120 Professional

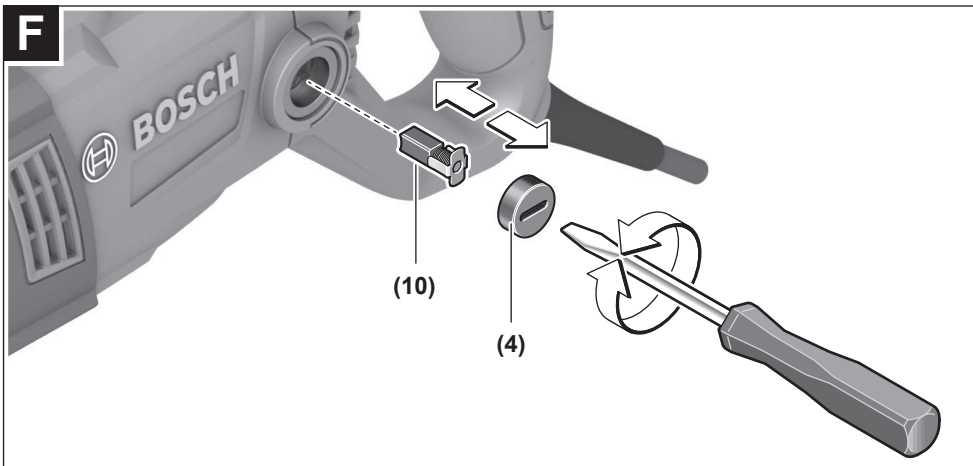
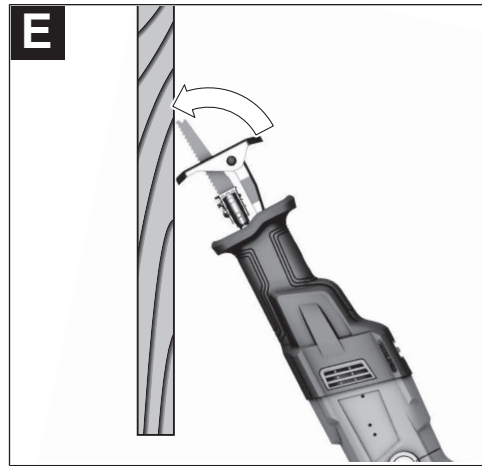
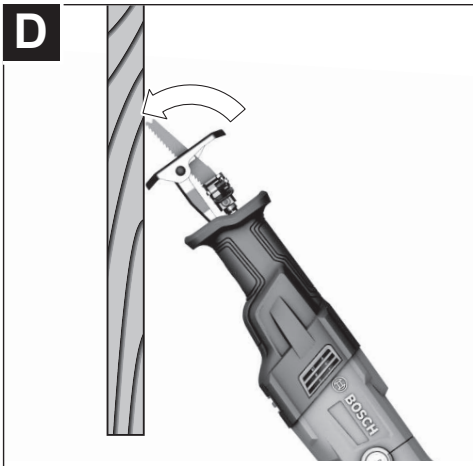
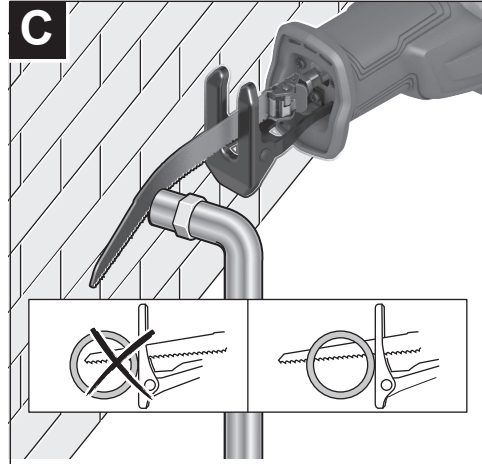
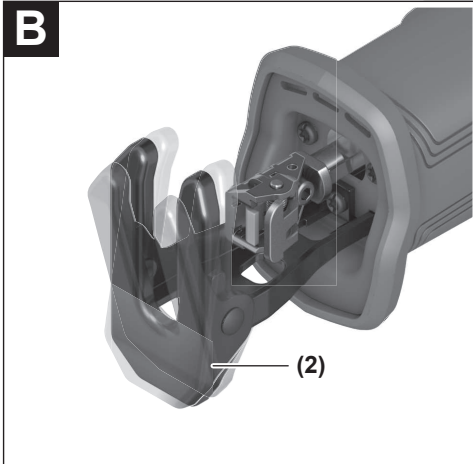
 **BOSCH**

- en Original instructions
- fr Notice originale
- pt Manual original
- zh 正本使用说明书
- zh 原始使用說明書
- th หนังสือคู่มือการใช้งานฉบับ ต้นแบบ
- id Petunjuk-Petunjuk untuk Pengguna-an Orisinal
- vi Bản gốc hướng dẫn sử dụng
- ar دليل التشغيل الأصلي
- fa دفترچه راهنمای اصلی

English .....	Page	5
Français .....	Page	11
Português .....	Página	16
中文 .....	页	20
繁體中文 .....	頁	24
ไทย .....	หน้า	28
Bahasa Indonesia .....	Halaman	32
Tiếng Việt .....	Trang	36
عربي .....	الصفحة	42
آفارسی .....	صفحه	48



4 |



## English

### Safety instructions

#### General Power Tool Safety Warnings

**⚠ WARNING** Read all safety warnings, instructions, illustrations and specifications provided with this power tool. Failure to follow all instructions listed below may result in electric shock, fire and/or serious injury.

**Save all warnings and instructions for future reference.**

The term "power tool" in the warnings refers to your mains-operated (corded) power tool or battery-operated (cordless) power tool.

#### Work area safety

- ▶ **Keep work area clean and well lit.** Cluttered or dark areas invite accidents.
- ▶ **Do not operate power tools in explosive atmospheres, such as in the presence of flammable liquids, gases or dust.** Power tools create sparks which may ignite the dust or fumes.
- ▶ **Keep children and bystanders away while operating a power tool.** Distractions can cause you to lose control.

#### Electrical safety

- ▶ **Power tool plugs must match the outlet. Never modify the plug in any way. Do not use any adapter plugs with earthed (grounded) power tools.** Unmodified plugs and matching outlets will reduce risk of electric shock.
- ▶ **Avoid body contact with earthed or grounded surfaces, such as pipes, radiators, ranges and refrigerators.** There is an increased risk of electric shock if your body is earthed or grounded.
- ▶ **Do not expose power tools to rain or wet conditions.** Water entering a power tool will increase the risk of electric shock.
- ▶ **Do not abuse the cord. Never use the cord for carrying, pulling or unplugging the power tool. Keep cord away from heat, oil, sharp edges or moving parts.** Damaged or entangled cords increase the risk of electric shock.
- ▶ **When operating a power tool outdoors, use an extension cord suitable for outdoor use.** Use of a cord suitable for outdoor use reduces the risk of electric shock.
- ▶ **If operating a power tool in a damp location is unavoidable, use a residual current device (RCD) protected supply.** Use of an RCD reduces the risk of electric shock.

#### Personal safety

- ▶ **Stay alert, watch what you are doing and use common sense when operating a power tool. Do not use a power tool while you are tired or under the influence of drugs, alcohol or medication.** A moment of inatten-

tion while operating power tools may result in serious personal injury.

- ▶ **Use personal protective equipment. Always wear eye protection.** Protective equipment such as a dust mask, non-skid safety shoes, hard hat or hearing protection used for appropriate conditions will reduce personal injuries.
- ▶ **Prevent unintentional starting. Ensure the switch is in the off-position before connecting to power source and/or battery pack, picking up or carrying the tool.** Carrying power tools with your finger on the switch or energising power tools that have the switch on invites accidents.
- ▶ **Remove any adjusting key or wrench before turning the power tool on.** A wrench or a key left attached to a rotating part of the power tool may result in personal injury.
- ▶ **Do not overreach. Keep proper footing and balance at all times.** This enables better control of the power tool in unexpected situations.
- ▶ **Dress properly. Do not wear loose clothing or jewellery. Keep your hair and clothing away from moving parts.** Loose clothes, jewellery or long hair can be caught in moving parts.
- ▶ **If devices are provided for the connection of dust extraction and collection facilities, ensure these are connected and properly used.** Use of dust collection can reduce dust-related hazards.
- ▶ **Do not let familiarity gained from frequent use of tools allow you to become complacent and ignore tool safety principles.** A careless action can cause severe injury within a fraction of a second.

#### Power tool use and care

- ▶ **Do not force the power tool. Use the correct power tool for your application.** The correct power tool will do the job better and safer at the rate for which it was designed.
- ▶ **Do not use the power tool if the switch does not turn it on and off.** Any power tool that cannot be controlled with the switch is dangerous and must be repaired.
- ▶ **Disconnect the plug from the power source and/or remove the battery pack, if detachable, from the power tool before making any adjustments, changing accessories, or storing power tools.** Such preventive safety measures reduce the risk of starting the power tool accidentally.
- ▶ **Store idle power tools out of the reach of children and do not allow persons unfamiliar with the power tool or these instructions to operate the power tool.** Power tools are dangerous in the hands of untrained users.
- ▶ **Maintain power tools and accessories. Check for misalignment or binding of moving parts, breakage of parts and any other condition that may affect the power tool's operation. If damaged, have the power tool repaired before use.** Many accidents are caused by poorly maintained power tools.

- ▶ **Keep cutting tools sharp and clean.** Properly maintained cutting tools with sharp cutting edges are less likely to bind and are easier to control.
- ▶ **Use the power tool, accessories and tool bits etc. in accordance with these instructions, taking into account the working conditions and the work to be performed.** Use of the power tool for operations different from those intended could result in a hazardous situation.
- ▶ **Keep handles and grasping surfaces dry, clean and free from oil and grease.** Slippery handles and grasping surfaces do not allow for safe handling and control of the tool in unexpected situations.

#### Service

- ▶ **Have your power tool serviced by a qualified repair person using only identical replacement parts.** This will ensure that the safety of the power tool is maintained.

#### Safety information for sabre saws

- ▶ **Hold the power tool by insulated gripping surfaces, when performing an operation where the cutting accessory may contact hidden wiring or its own cord.** Cutting accessory contacting a "live" wire may make exposed metal parts of the power tool "live" and could give the operator an electric shock.
- ▶ **Use clamps or another practical way to secure and support the workpiece to a stable platform.** Holding the workpiece by hand or against your body leaves it unstable and may lead to loss of control.
- ▶ **Keep hands away from the sawing area. Do not reach under the workpiece.** Contact with the saw blade can lead to injuries.
- ▶ **Hold the power tool firmly with both hands and make sure you have a stable footing.** The power tool can be more securely guided with both hands.
- ▶ **Only bring the power tool into contact with the workpiece when switched on.** Otherwise there is danger of kickback if the cutting tool jams in the workpiece.
- ▶ **Ensure that the footplate is always resting on the workpiece while sawing.** The saw blade can jam and lead to loss of control over the power tool.
- ▶ **When the cut is completed, switch off the power tool and then pull the saw blade out of the cut only after it has come to a standstill.** In this manner you can avoid kickback and can place down the power tool securely.
- ▶ **Always wait until the power tool has come to a complete stop before placing it down.** The application tool can jam and cause you to lose control of the power tool.
- ▶ **Use only undamaged saw blades that are in perfect condition.** Bent or dull saw blades can break, negatively influence the cut, or lead to kickback.
- ▶ **Do not brake the saw blade to a stop by applying side pressure after switching off.** The saw blade can be damaged, break or cause kickback.
- ▶ **Ensure that the material is securely clamped. Do not support the workpiece using your hands or feet. Do**

**not touch any objects or the floor with the saw while it is running.** There is a risk of kickback.

- ▶ **Use suitable detectors to determine if utility lines are hidden in the work area or call the local utility company for assistance.** Contact with electric lines can lead to fire and electric shock. Damaging a gas line can lead to explosion. Penetrating a water line causes property damage or may cause an electric shock.

#### Products sold in GB only:

Your product is fitted with an BS 1363/A approved electric plug with internal fuse (ASTA approved to BS 1362). If the plug is not suitable for your socket outlets, it should be cut off and an appropriate plug fitted in its place by an authorised customer service agent. The replacement plug should have the same fuse rating as the original plug. The severed plug must be disposed of to avoid a possible shock hazard and should never be inserted into a mains socket elsewhere.

## Product Description and Specifications



#### Read all the safety and general instructions.

Failure to observe the safety and general instructions may result in electric shock, fire and/or serious injury.

Please observe the illustrations at the beginning of this operating manual.

#### Intended use

The power tool is suitable for sawing wood, plastic, metal and building materials on a firm surface. It is suitable for straight and curved cuts. When using designated suitable bi-metal saw blades, flush cutting is also possible. The saw blade recommendations are to be observed.

#### Product features

The numbering of the product features refers to the diagram of the power tool on the graphics page.

- (1) Saw blade
- (2) Base plate
- (3) Saw blade receptacle
- (4) Caps for carbon brushes
- (5) On/off switch locking mechanism
- (6) On/off switch
- (7) Hex key
- (8) Handle (insulated gripping surface)
- (9) SDS lever for saw blade clamping and release
- (10) Carbon brush

#### Technical data

Reciprocating saw	GSA 120
Article number	3 601 FB1 0..

Reciprocating saw		GSA 120
Stroke rate control		●
Rated power input	W	1200
No-load stroke rate $n_0$	min <sup>-1</sup>	0–3000
Tool holder		SDS
Stroke	mm	29
Max. cutting depth		
– In wood	mm	220
– In steel (unalloyed)	mm	20
– Pipe diameter	mm	220
Weight according to EPTA-Procedure 01:2014	kg	3.7
Protection class		□/II

The specifications apply to a rated voltage [U] of 230 V. These specifications may vary at different voltages and in country-specific models.

## Fitting

- ▶ **Pull the plug out of the socket before carrying out any work on the power tool.**

### Inserting/changing the saw blade

- ▶ **When fitting or changing the saw blade, wear protective gloves.** Blades are sharp and can become hot when used for prolonged periods of time.
- ▶ **While replacing the saw blade, ensure that the saw blade receptacle is free of material residue, e.g. wood or metal chips. Take care that there are no sheared-off pieces of shank in the saw blade receptacle.**

### Selecting the saw blade

You will find an overview of recommended saw blades at the end of these operating instructions. Only use saw blades with a 1/2" universal shank. The saw blade should not be longer than required for the intended cut.

The shank thickness of the saw blade has to be 0.8–1.8 mm. Use a narrow saw blade when sawing tight curves.

### Inserting the saw blade (see figure A)

Press the SDS lever (9) forward and guide the saw blade (1) behind the clamping plate into the saw blade receptacle (3). Release the SDS lever (9).

- ▶ **Check that it is seated securely by pulling the saw blade.** A loose saw blade can fall out and lead to injuries.

For particular jobs, the saw blade (1) can also be flipped 180° (teeth point upwards) and refitted.

### Removing the saw blade

- ▶ **Let the saw blade cool down before removing it.** There is a risk of injury when touching the hot saw blade.

Press the SDS lever (9) forward and pull out the saw blade (1). Release the SDS lever (9).

## Dust/Chip Extraction

Dust from materials such as lead-containing coatings, some wood types, minerals and metal can be harmful to one's health. Touching or breathing-in the dust can cause allergic reactions and/or lead to respiratory infections of the user or bystanders.

Certain dust, such as oak or beech dust, is considered carcinogenic, especially in connection with wood-treatment additives (chromate, wood preservative). Materials containing asbestos may only be worked by specialists.

- Provide for good ventilation of the working place.
- It is recommended to wear a P2 filter-class respirator.

Observe the relevant regulations in your country for the materials to be worked.

- ▶ **Avoid dust accumulation at the workplace.** Dust can easily ignite.

## Operation

### Start-up

- ▶ **Products that are only sold in AUS and NZ:** Use a residual current device (RCD) with a nominal residual current of 30 mA or less.
- ▶ **Pay attention to the mains voltage. The voltage of the power source must match the voltage specified on the rating plate of the power tool. Power tools marked with 230 V can also be operated with 220 V.**

### Switching on/off

To **switch on** the power tool, press the on/off switch (6).

To **lock** the on/off switch (6), press and hold it while also pressing the locking mechanism (5).

To **switch off** the power tool, release the on/off switch (6).

If the on/off switch (6) is locked, press the switch first and then release it.

### Controlling the stroke rate

You can variably adjust the stroke rate of the power tool when it is on by pressing in the on/off switch (6) to varying extents.

Applying light pressure to the on/off switch (6) results in a low stroke rate. Applying increasing pressure to the switch increases the stroke rate.

The required stroke rate is dependent on the material and the work conditions and can be determined using practical tests.

It is recommended that you reduce the stroke rate when placing the saw blade on the workpiece and when sawing plastic and aluminium.

During prolonged periods of use at a low stroke rate, the power tool may heat up significantly. Remove the saw blade and let the power tool run at the maximum stroke rate for around three minutes to cool down.

### Practical advice

- ▶ **Pull the plug out of the socket before carrying out any work on the power tool.**
- ▶ **Switch the power tool off immediately if the saw blade becomes blocked.**

### Tips

- ▶ **When sawing lightweight materials, take into account the statutory provisions and recommendations of the material manufacturers.**

Before sawing into wood, chipboard, building materials, etc., check for any foreign objects such as nails, screws, etc. and use a suitable saw blade.

Switch on the power tool and guide it towards the workpiece you wish to work on. Place the base plate (2) on the surface of the workpiece and saw through the material applying even pressure and feed. Switch the power tool off once you have finished your work.

Switch the power tool off immediately if the saw blade jams. Widen the sawing gap slightly with a suitable tool and pull the power tool out.

### Swivelling base plate (see figure B)

Thanks to its mobility, the base plate (2) adopts the required angle position of the surface.

### Plunge cutting (see figures D–E)

- ▶ **Plunge cuts may only be applied to soft materials, such as wood, gypsum board, etc. Do not plunge cut metal materials.**

For plunge cutting, use only short saw blades.

Place the power tool so that the edge of the base plate (2) rests on the workpiece, without the saw blade (1) touching the workpiece, and switch it on. When using power tools with stroke rate control, select the maximum stroke rate. Press the power tool firmly against the workpiece and allow the saw blade to plunge slowly into the workpiece.

As soon as the base plate (2) rests fully on the workpiece, continue sawing along the required cutting line.

For particular jobs, the saw blade (1) can also be fitted after being turned 180° in order to operate the power tool the other way around.

### Flush sawing (see figure C)

Protruding components such as water pipes, for example, can be cut directly at the wall using elastic bi-metal saw blades.

- ▶ **Ensure that the saw blade is always longer than the diameter of the workpiece. There is a risk of kickback.**

Place the saw blade directly against the wall and bend it slightly by applying lateral pressure to the power tool until the base plate is flush with the wall. Switch on the power tool and saw through the workpiece applying consistent lateral pressure.

### Coolant/lubricant

As the material heats up along the cutting line when cutting metal, you should apply coolant or lubricant.

## Maintenance and Servicing

### Maintenance and cleaning

- ▶ **Pull the plug out of the socket before carrying out any work on the power tool.**
- ▶ **To ensure safe and efficient operation, always keep the power tool and the ventilation slots clean.**

Clean the saw blade receptacle, preferably with compressed air or with a soft brush. To do so, remove the saw blade from the power tool. Keep the saw blade receptacle operational by using suitable lubricants.

If the power tool becomes very dirty, this can lead to serious faults. For this reason, do not cut materials which generate large quantities of dust from below or overhead.

In order to avoid safety hazards, if the power supply cord needs to be replaced, this must be done by Bosch or by a customer service centre that is authorised to repair Bosch power tools.

### Replacing the carbon brushes (see figure F)

Check the length of the carbon brushes around every 2–3 months and replace both carbon brushes if required.

Never replace only a single carbon brush.

**Note:** Only use carbon brushes supplied by Bosch and intended specifically for your product.

- Unscrew the caps (4) using a suitable screwdriver.
- Replace the spring-loaded carbon brushes (10) and screw the caps back on.

### After-sales Service and Advice on Using Products

Our after-sales service can answer questions concerning product maintenance and repair, as well as spare parts. You can find exploded drawings and information on spare parts at: [www.bosch-pt.com](http://www.bosch-pt.com)

The Bosch product use advice team will be happy to help you with any questions about our products and their accessories.

[www.powertool-portal.de](http://www.powertool-portal.de), the internet portal for tradespeople and DIY enthusiasts.

In all correspondence and spare parts orders, please always include the 10-digit article number given on the type plate of the product.

### Cambodia

Robert Bosch (Cambodia) Co., Ltd  
Unit 8BC, GT Tower, 08th Floor, Street 169,  
Czechoslovakia Blvd, Sangkat Veal Vong  
Khan 7 Makara, Phnom Penh  
VAT TIN: 100 169 511  
Tel.: +855 23 900 685  
Tel.: +855 23 900 660  
[www.bosch.com.kh](http://www.bosch.com.kh)

### People's Republic of China China Mainland

Bosch Power Tool (China) Co. Ltd.  
Bosch Service Center



567, Bin Kang Road  
Bin Kang District  
Hangzhou, Zhejiang Province  
China 310052  
Tel.: (0571) 8887 5566 / 5588  
Fax: (0571) 8887 6688 x 5566# / 5588#  
E-mail: bsc.hz@cn.bosch.com  
www.bosch-pt.com.cn

#### **HK and Macau Special Administrative Regions**

Robert Bosch Co. Ltd.  
21st Floor, 625 King's Road  
North Point, Hong Kong  
Customer Service Hotline: +852 2101 0235  
Fax: +852 2590 9762  
E-mail: info@hk.bosch.com  
www.bosch-pt.com.hk

#### **India**

Bosch Service Center  
69, Habibullah Road, (next to PSBB School), T. Nagar  
Chennai-600077  
Phone: (044) 64561816

Bosch Service Center Rishyamook  
85A, Panchkuin Road  
New Delhi-110001  
Phone: (011) 43166190

Bosch Service Center 79,  
Crystal Bldg., Dr. Annie Besant Road, Worli  
Mumbai-400018  
Phone: (022) 39569936 / (022) 39569959 /  
(022) 39569967 / (022) 24952071

#### **Indonesia**

PT Robert Bosch  
Palma Tower 10th Floor  
Jalan RA Kartini II-S Kaveling 6  
Pondok Pinang, Kebayoran Lama  
Jakarta Selatan 12310  
Tel.: (21) 3005-5800  
www.bosch-pt.co.id

#### **Malaysia**

Robert Bosch Sdn. Bhd. (220975-V) PT/SMY  
No. 8A, Jalan 13/6  
46200 Petaling Jaya  
Selangor  
Tel.: (03) 79663194  
Toll-Free: 1800 880188  
Fax: (03) 79583838  
E-mail: kiathoe.chong@my.bosch.com  
www.bosch-pt.com.my

#### **Pakistan**

Robert Bosch Middle East FZE – Pakistan Liaison Office  
2nd Floor Plaza # 10, CCA Block, DHA Phase 5  
Lahore, 54810  
Phone: +92(303)4444311  
E-mail: Faisal.Khan@bosch.com

#### **Philippines**

Robert Bosch, Inc.  
28th Floor Fort Legend Towers,

3rd Avenue corner 31st Street,  
Fort Bonifacio, Global City,  
1634 Taguig City  
Tel.: (632) 8703871  
Fax: (632) 8703870  
www.bosch-pt.com.ph

#### **Singapore**

Powerwell Service Centre Ptd Ltd  
Bosch Authorised Service Centre (Power Tools)  
4012 Ang Mo Kio Ave 10, #01-02 TECHplace  
Singapore 569628  
Tel.: 6452 1770  
Fax: 6452 1760  
E-mail: ask@powerwellsc.com  
www.powerwellsc.com  
www.bosch-pt.com.sg

#### **Thailand**

Robert Bosch Ltd.  
Liberty Square Building  
No. 287, 11 Floor  
Silom Road, Bangrak  
Bangkok 10500  
Tel.: 02 6393111  
Fax: 02 2384783  
Robert Bosch Ltd., P. O. Box 2054  
Bangkok 10501  
www.bosch.co.th  
Bosch Service – Training Centre  
La Salle Tower Ground Floor Unit No.2  
10/11 La Salle Moo 16  
Srinakharin Road  
Bangkaew, Bang Plee  
Samutprakarn 10540  
Tel.: 02 7587555  
Fax: 02 7587525

#### **Vietnam**

Branch of Bosch Vietnam Co., Ltd in HCMC  
14th floor, Deutsches Haus, 33 Le Duan  
Ben Nghe Ward, District 1, Ho Chi Minh City  
Tel.: (028) 6258 3690  
Fax: (028) 6258 3692 - 6258 3694  
Hotline: (028) 6250 8555  
E-mail: [tuvankhachhang-pt@vn.bosch.com](mailto:tuvankhachhang-pt@vn.bosch.com)  
**www.bosch-pt.com.vn**

#### **Armenia, Azerbaijan, Georgia, Kyrgyzstan, Mongolia, Tajikistan, Turkmenistan, Uzbekistan**

TOO "Robert Bosch" Power Tools, After Sales Service  
Rayimbek Ave., 169/1  
050050, Almaty, Kazakhstan  
Service e-mail: [service.pt.ka@bosch.com](mailto:service.pt.ka@bosch.com)  
Official website: [www.bosch.com](http://www.bosch.com), [www.bosch-pt.com](http://www.bosch-pt.com)

#### **Bahrain**

Hatem Al Juffali Technical Equipment Establishment.  
Kingdom of Bahrain, Setra Highway, Al Aker Area  
Phone: +966126971777-311  
Fax: +97317704257  
E-mail: [h.berjas@ejjb.com.sa](mailto:h.berjas@ejjb.com.sa)

Egypt  
Unimar  
20 Markaz kadmat  
El tagmoa EL Aoul – New Cairo  
Phone: +20 2224 76091-95  
Phone: +20 2224 78072-73  
Fax: +20222478075  
E-mail: adelzaki@unimaregypt.com

**Iran**

Robert Bosch Iran  
3rd Floor, No 3, Maadiran Building  
Aftab St., Khodami St., Vanak Sq.  
Tehran 1994834571  
Phone: +9821 86092057

**Iraq**

Sahba Technology Group  
Al Muthana airport road  
Baghdad  
Phone: +9647901906953  
Phone Dubai: +97143973851  
E-mail: bosch@sahbatechnology.com

**Jordan**

Roots Arabia – Jordan  
Nasser Bin Jameel street, Building 37 Al Rabiah  
11194 Amman  
Phone: +962 6 5545778  
E-mail: bosch@rootsjordan.com

**Kuwait**

Al Qurain Automotive Trading Company  
Shuwaikh Industrial Area, Block 1, Plot 16, Street 3rd  
P.O. Box 164 – Safat 13002  
Phone: 24810844  
Fax: 24810879  
E-mail: josephkr@aaalmutawa.com  
Lebanon

Tehini Hana & Co. S.A.R.L.  
P.O. Box 90-449  
Jdeideh  
Dora-Beirut  
Phone: +9611255211  
E-mail: service-pt@tehini-hana.com  
Libya

El Naser for Workshop Tools  
Swanee Road, Alfalah Area  
Tripoli  
Phone: +218 21 4811184  
Oman

Malatan Trading & Contracting LLC  
P.O. Box 131  
Ruwi, 112 Sultanate of Oman  
Phone: +968 99886794  
E-mail: malatanpowertools@malatan.net

**Qatar**

International Construction Solutions W L L  
P. O. Box 51,  
Doha Phone: +974 40065458

Fax: +974 4453 8585  
E-mail: csd@icsdoha.com

**Saudi Arabia**

Juffali Technical Equipment Co. (JTECO)  
Kilo 14, Madinah Road, Al Bawadi District  
Jeddah 21431  
Phone: +966 2 6672222 Ext. 1528  
Fax: +966 2 6676308  
E-mail: roland@ejb.com.sa

**Syria**

Dallal Establishment for Power Tools  
P.O. Box 1030  
Aleppo  
Phone: +963212116083  
E-mail: rita.dallal@hotmail.com

**United Arab Emirates**

Central Motors & Equipment LLC, P.O. Box 1984  
Al-Wahda Street – Old Sana Building  
Sharjah  
Phone: +971 6 593 2777  
Fax: +971 6 533 2269  
E-mail: powertools@centralmotors.ae

**Yemen**

Abualrejal Trading Corporation  
Sana'a Zubairy St. Front to new Parliament Building  
Phone: +967-1-202010  
Fax: +967-1-279029  
E-mail: tech-tools@abualrejal.com

**Ethiopia**

Forever plc  
Kebele 2,754, BP 4806,  
Addis Ababa  
Phone: +251 111 560 600  
E-mail: foreverplc@ethionet.et

**Ghana**

C.WOERMANN LTD.  
Nsawam Road/Avenor Junction, P.O. Box 1779  
Accra Phone: +233 302 225 141

**Kenya**

Robert Bosch East Africa Ltd  
Mpaka Road P.O. Box 856  
00606 Nairobi

**Nigeria**

Robert Bosch Nigeria Ltd.  
52–54 Isaac John Street P.O. Box  
GRA Ikeja – Lagos

**Republic of South Africa****Customer service**

Hotline: (011) 6519600

**Gauteng – BSC Service Centre**

35 Roper Street, New Centre  
Johannesburg  
Tel.: (011) 4939375  
Fax: (011) 4930126  
E-mail: bsctools@icon.co.za

**KZN – BSC Service Centre**

Unit E, Almar Centre  
143 Crompton Street  
Pinetown  
Tel.: (031) 7012120  
Fax: (031) 7012446  
E-mail: bsc.dur@za.bosch.com

**Western Cape – BSC Service Centre**

Democracy Way, Prosperity Park  
Milnerton  
Tel.: (021) 5512577

Fax: (021) 5513223  
E-mail: bsc@zsd.co.za

**Bosch Headquarters**

Midrand, Gauteng  
Tel.: (011) 6519600  
Fax: (011) 6519880  
E-mail: rbsa-hq.pts@za.bosch.com

**Tanzania**

Diesel & Autoelectric Service Ltd.  
117 Nyerere Rd., P.O. Box 70839  
Vingunguti 12109, Dar Es Salaam  
Phone: +255 222 861 793/794

**Australia, New Zealand and Pacific Islands**

Robert Bosch Australia Pty. Ltd.  
Power Tools  
Locked Bag 66  
Clayton South VIC 3169  
Customer Contact Center  
Inside Australia:  
Phone: (01300) 307044  
Fax: (01300) 307045  
Inside New Zealand:  
Phone: (0800) 543353  
Fax: (0800) 428570  
Outside AU and NZ:  
Phone: +61 3 95415555  
www.bosch-pt.com.au  
www.bosch-pt.co.nz

**Disposal**

The power tool, accessories and packaging should be recycled in an environmentally friendly manner.



Do not dispose of power tools along with household waste.

## Français

### Consignes de sécurité

#### Avertissements de sécurité généraux pour l'outil électrique

##### **AVERTISSEMENT** Lire tous les avertissements de sécurité, les instructions, les illustrations et les spécifications fournis

avec cet outil électrique. Ne pas suivre les instructions énumérées ci-dessous peut provoquer un choc électrique, un incendie et/ou une blessure sérieuse.

##### Conservation de tous les avertissements et de toutes les instructions pour pouvoir s'y reporter ultérieurement.

Le terme "outil électrique" dans les avertissements fait référence à votre outil électrique alimenté par le secteur (avec cordon d'alimentation) ou votre outil électrique fonctionnant sur batterie (sans cordon d'alimentation).

#### Sécurité de la zone de travail

- ▶ **Conservation de la zone de travail propre et bien éclairée.** Les zones en désordre ou sombres sont propices aux accidents.
- ▶ **Ne pas faire fonctionner les outils électriques en atmosphère explosive, par exemple en présence de liquides inflammables, de gaz ou de poussières.** Les outils électriques produisent des étincelles qui peuvent enflammer les poussières ou les fumées.
- ▶ **Maintenir les enfants et les personnes présentes à l'écart pendant l'utilisation de l'outil électrique.** Les distractions peuvent vous faire perdre le contrôle de l'outil.

#### Sécurité électrique

- ▶ **Il faut que les fiches de l'outil électrique soient adaptées au socle. Ne jamais modifier la fiche de quelque façon que ce soit. Ne pas utiliser d'adaptateurs avec des outils électriques à branchement de terre.** Des fiches non modifiées et des socles adaptés réduisent le risque de choc électrique.
- ▶ **Éviter tout contact du corps avec des surfaces reliées à la terre telles que les tuyaux, les radiateurs, les cuisinières et les réfrigérateurs.** Il existe un risque accru de choc électrique si votre corps est relié à la terre.
- ▶ **Ne pas exposer les outils électriques à la pluie ou à des conditions humides.** La pénétration d'eau à l'intérieur d'un outil électrique augmente le risque de choc électrique.
- ▶ **Ne pas maltraiter le cordon. Ne jamais utiliser le cordon pour porter, tirer ou débrancher l'outil électrique. Maintenir le cordon à l'écart de la chaleur, du lubrifiant, des arêtes vives ou des parties en mouvement.** Des cordons endommagés ou emmêlés augmentent le risque de choc électrique.
- ▶ **Lorsqu'on utilise un outil électrique à l'extérieur, utiliser un prolongateur adapté à l'utilisation extérieure.**

L'utilisation d'un cordon adapté à l'utilisation extérieure réduit le risque de choc électrique.

- ▶ **Si l'usage d'un outil électrique dans un emplacement humide est inévitable, utiliser une alimentation protégée par un dispositif à courant différentiel résiduel (RCD).** L'usage d'un RCD réduit le risque de choc électrique.

#### Sécurité des personnes

- ▶ **Rester vigilant, regarder ce que vous êtes en train de faire et faire preuve de bon sens dans votre utilisation de l'outil électrique. Ne pas utiliser un outil électrique lorsque vous êtes fatigué ou sous l'emprise de drogues, de l'alcool ou de médicaments.** Un moment d'inattention en cours d'utilisation d'un outil électrique peut entraîner des blessures graves.
- ▶ **Utiliser un équipement de protection individuelle. Toujours porter une protection pour les yeux.** Les équipements de protection individuelle tels que les masques contre les poussières, les chaussures de sécurité antidérapantes, les casques ou les protections auditives utilisés pour les conditions appropriées réduisent les blessures.
- ▶ **Éviter tout démarrage intempestif. S'assurer que l'interrupteur est en position arrêté avant de brancher l'outil au secteur et/ou au bloc de batteries, de le ramasser ou de le porter.** Porter les outils électriques en ayant le doigt sur l'interrupteur ou brancher des outils électriques dont l'interrupteur est en position marche est source d'accidents.
- ▶ **Retirer toute clé de réglage avant de mettre l'outil électrique en marche.** Une clé laissée fixée sur une partie tournante de l'outil électrique peut donner lieu à des blessures.
- ▶ **Ne pas se précipiter. Garder une position et un équilibre adaptés à tout moment.** Cela permet un meilleur contrôle de l'outil électrique dans des situations inattendues.
- ▶ **S'habiller de manière adaptée. Ne pas porter de vêtements amples ou de bijoux. Garder les cheveux et les vêtements à distance des parties en mouvement.** Des vêtements amples, des bijoux ou les cheveux longs peuvent être pris dans des parties en mouvement.
- ▶ **Si des dispositifs sont fournis pour le raccordement d'équipements pour l'extraction et la récupération des poussières, s'assurer qu'ils sont connectés et correctement utilisés.** Utiliser des collecteurs de poussière peut réduire les risques dus aux poussières.
- ▶ **Rester vigilant et ne pas négliger les principes de sécurité de l'outil sous prétexte que vous avez l'habitude de l'utiliser.** Une fraction de seconde d'inattention peut provoquer une blessure grave.

#### Utilisation et entretien de l'outil électrique

- ▶ **Ne pas forcer l'outil électrique. Utiliser l'outil électrique adapté à votre application.** L'outil électrique adapté réalise mieux le travail et de manière plus sûre au régime pour lequel il a été construit.

- ▶ **Ne pas utiliser l'outil électrique si l'interrupteur ne permet pas de passer de l'état de marche à arrêté et inversement.** Tout outil électrique qui ne peut pas être commandé par l'interrupteur est dangereux et il faut le réparer.
- ▶ **Débrancher la fiche de la source d'alimentation et/ou enlever le bloc de batteries, s'il est amovible, avant tout réglage, changement d'accessoires ou avant de ranger l'outil électrique.** De telles mesures de sécurité préventives réduisent le risque de démarrage accidentel de l'outil électrique.
- ▶ **Conserver les outils électriques à l'arrêt hors de la portée des enfants et ne pas permettre à des personnes ne connaissant pas l'outil électrique ou les présentes instructions de le faire fonctionner.** Les outils électriques sont dangereux entre les mains d'utilisateurs novices.
- ▶ **Observer la maintenance des outils électriques et des accessoires. Vérifier qu'il n'y a pas de mauvais alignement ou de blocage des parties mobiles, des pièces cassées ou toute autre condition pouvant affecter le fonctionnement de l'outil électrique. En cas de dommages, faire réparer l'outil électrique avant de l'utiliser.** De nombreux accidents sont dus à des outils électriques mal entretenus.
- ▶ **Garder affûtés et propres les outils permettant de couper.** Des outils destinés à couper correctement entretenus avec des pièces coupantes tranchantes sont moins susceptibles de bloquer et sont plus faciles à contrôler.
- ▶ **Utiliser l'outil électrique, les accessoires et les lames etc., conformément à ces instructions, en tenant compte des conditions de travail et du travail à réaliser.** L'utilisation de l'outil électrique pour des opérations différentes de celles prévues peut donner lieu à des situations dangereuses.
- ▶ **Il faut que les poignées et les surfaces de préhension restent sèches, propres et dépourvues d'huiles et de graisses.** Des poignées et des surfaces de préhension glissantes rendent impossibles la manipulation et le contrôle en toute sécurité de l'outil dans les situations inattendues.

#### Maintenance et entretien

- ▶ **Faire entretenir l'outil électrique par un réparateur qualifié utilisant uniquement des pièces de rechange identiques.** Cela assure le maintien de la sécurité de l'outil électrique.

#### Instructions de sécurité pour scies sabre

- ▶ **Tenir l'outil électrique par des surfaces de préhension isolées au cours d'une opération où l'accessoire de coupe peut être en contact avec des fils dissimulés ou son propre câble.** Des accessoires de coupe en contact avec un fil "sous tension" peuvent mettre des parties métalliques exposées de l'outil électrique "sous tension" et provoquer un choc électrique chez l'opérateur.

- ▶ **Utiliser des pinces ou autre moyen pratique pour fixer et soutenir la pièce à usiner sur une plateforme stable.** Tenir la pièce à usiner par la main ou contre le corps la rend instable et peut conduire à une perte de contrôle.
- ▶ **N'approchez pas les mains de la zone de travail. Ne saisissez pas la pièce par en dessous dans la zone de travail.** Il y a un risque de blessure grave en cas de contact avec la lame de scie.
- ▶ **Lors du travail, tenez fermement l'outil électroportatif des deux mains et veillez à toujours garder une position de travail stable.** Avec les deux mains, l'outil électroportatif est guidé en toute sécurité.
- ▶ **N'approchez l'outil électroportatif de la pièce à scier qu'après l'avoir mis en marche.** Il y a un risque de rebond au cas où la lame resterait coincée dans la pièce.
- ▶ **Veillez à ce que la plaque de base repose de manière stable sur la pièce lors du sciage.** La lame risque sinon de se coincer, ce qui entraînerait une perte de contrôle de l'outil électroportatif.
- ▶ **Une fois le travail terminé, arrêtez l'outil électroportatif et attendez que la lame ne soit immobilisée avant de l'extraire de la pièce.** Tout risque de rebond est ainsi évité et l'outil électroportatif peut être posé en toute sécurité.
- ▶ **Avant de poser l'outil électroportatif, attendez que celui-ci soit complètement à l'arrêt.** L'outil risque de se coincer, ce qui entraînerait une perte de contrôle de l'outil électroportatif.
- ▶ **N'utilisez que des lames de scie en parfait état.** Les lames de scie déformées ou émoussées peuvent se casser, produire des coupes de mauvaise qualité ou causer des rebonds.
- ▶ **Après avoir arrêté l'outil, n'immobilisez pas la lame de scie en exerçant une pression latérale sur celle-ci.** La lame de scie risquerait d'être endommagée, de se casser ou de causer un rebond.
- ▶ **Fixez bien la pièce avant d'utiliser la scie. Ne la bloquez pas avec une main ou un pied. Veillez à ce que la lame n'entre pas en contact avec le sol ou avec des objets lorsque la scie est en marche.** Il y aurait alors un risque de rebond.
- ▶ **Utilisez un détecteur approprié pour vérifier s'il n'y a pas de conduites cachées ou contactez votre société de distribution d'eau locale.** Tout contact avec des câbles électriques peut provoquer un incendie ou un choc électrique. Tout endommagement d'une conduite de gaz peut provoquer une explosion. La perforation d'une conduite d'eau provoque des dégâts matériels et peut provoquer un choc électrique.

## Description des prestations et du produit



**Lisez attentivement toutes les instructions et consignes de sécurité.** Le non-respect des instructions et consignes de sécurité peut provoquer un choc électrique, un incendie et/ou entraîner de graves blessures.

Référez-vous aux illustrations qui se trouvent à l'avant de la notice d'utilisation.

### Utilisation conforme

L'outil électroportatif est conçu pour le sciage du bois, de matières plastiques, de métal et de matériaux de construction avec un appui ferme. Il permet de réaliser des coupes droites et curvilignes. L'utilisation de lames bimétal souples permet aussi des découpes au ras des murs. Respectez les recommandations d'utilisation des lames de scie.

### Éléments constitutifs

La numérotation des éléments de l'appareil se réfère à la représentation de l'outil électroportatif sur la page graphique.

- (1) Lame de scie
- (2) Plaque de base
- (3) Porte-lame
- (4) Caches d'accès aux charbons
- (5) Bouton de blocage de l'interrupteur Marche/Arrêt
- (6) Interrupteur Marche/Arrêt
- (7) Clé mâle pour vis à six pans creux
- (8) Poignée (surface de préhension isolée)
- (9) Levier SDS pour serrage et desserrage des lames
- (10) Charbon

### Caractéristiques techniques

Scie sabre	GSA 120	
Référence	3 601 FB1 0..	
Variateur de vitesse	●	
Puissance absorbée nominale	W	1200
Cadence de coupe à vide $n_0$	min <sup>-1</sup>	0-3000
Porte-outil	SDS	
Amplitude de course	mm	29
Profondeur de coupe maxi		
- dans le bois	mm	220
- dans l'acier (non allié)	mm	20
- Diamètre de tuyau	mm	220
Poids selon EPTA-Procédure 01:2014	kg	3,7

**Scie sabre****GSA 120**

Indice de protection



Les données indiquées sont valables pour une tension nominale [U] de 230 V. Elles peuvent varier lorsque la tension diffère de cette valeur et sur certaines versions destinées à certains pays.

**Montage**

- ▶ **Débranchez le câble d'alimentation de la prise avant d'effectuer des travaux quels qu'il soient sur l'outil électroportatif.**

**Montage/changement de la lame de scie**

- ▶ **Portez des gants de protection lors du montage ou du remplacement de l'accessoire de travail.** Les accessoires de travail sont tranchants et peuvent devenir chauds lors d'une utilisation prolongée de la scie.
- ▶ **Lors d'un changement de lame, veillez à ce que le porte-lame soit exempt de tout résidu de matériau, par ex. copeaux de bois ou de métal. Veillez à ce qu'il n'y ait aucun morceau de queue de lame brisée dans le porte-lame.**

**Choix de la lame de scie**

Vous trouverez une vue d'ensemble des lames de scie recommandées à la fin de cette notice d'utilisation. Ne montez que des lames de scie à queue universelle 1/2". Choisissez toujours une lame de scie pas plus longue que nécessaire pour la coupe à effectuer.

La queue de lame doit avoir une épaisseur de 0,8–1,8 mm. Pour le sciage de courbes serrées, utilisez des lames de scie fines à chantourner.

**Montage de la lame de scie (voir figure A)**

Poussez le levier SDS (9) vers l'avant et introduisez la lame de scie (1) derrière la plaque de serrage dans le porte-lame (3). Relâchez le levier SDS (9).

- ▶ **Vérifiez que la lame est bien fixée en tirant dessus.**  
Une lame qui a du jeu peut tomber et risque de vous blesser.

Pour certains travaux, il est possible de monter la lame de scie (1) tournée de 180° (de façon à ce que les dents soient dirigées vers le haut).

**Retrait de la lame de scie**

- ▶ **Laissez refroidir la lame de scie avant de la retirer.**  
Lors d'un contact avec la lame de scie chaude, il y a un risque de blessures.

Poussez le levier SDS (9) vers l'avant et retirez la lame de scie (1). Relâchez le levier SDS (9).

**Aspiration de poussières/de copeaux**

Les poussières de matériaux tels que peintures contenant du plomb, certains bois, minéraux ou métaux, peuvent être nuisibles à la santé. Entrer en contact ou aspirer les poussières peut entraîner des réactions allergiques et/ou des maladies respiratoires auprès de l'utilisateur ou de personnes se trouvant à proximité.

Certaines poussières telles que les poussières de chêne ou de hêtre sont considérées comme cancérogènes, surtout en association avec des additifs pour le traitement du bois (chromate, lazure). Les matériaux contenant de l'amiante ne doivent être travaillés que par des personnes qualifiées.

- Veillez à bien aérer la zone de travail.
- Il est recommandé de porter un masque respiratoire avec un niveau de filtration de classe P2.

Respectez les règlements spécifiques aux matériaux à traiter en vigueur dans votre pays

- ▶ **Évitez toute accumulation de poussières sur le lieu de travail.** Les poussières peuvent facilement s'enflammer.

**Utilisation****Mise en marche**

- ▶ **Tenez compte de la tension du réseau ! La tension de la source de courant doit correspondre aux indications se trouvant sur la plaque signalétique de l'outil électroportatif. Les outils électroportatifs marqués 230 V peuvent également fonctionner sur 220 V.**

**Mise en marche/arrêt**

Pour **mettre en marche** l'outil électroportatif, appuyez sur l'interrupteur Marche/Arrêt (6).

Pour **bloquer** l'interrupteur Marche/Arrêt (6), maintenez-le enfoncé et poussez le bouton de blocage (5).

Pour **arrêter** l'outil électroportatif, relâchez l'interrupteur Marche/Arrêt (6). Si l'interrupteur Marche/Arrêt (6) est bloqué, appuyez d'abord dessus et relâchez-le ensuite.

**Réglage de la cadence de coupe**

La cadence de coupe peut être modifiée en continu en exerçant une pression plus ou moins importante sur l'interrupteur Marche/Arrêt (6).

Une légère pression sur l'interrupteur Marche/Arrêt (6) donne une faible cadence de coupe. Plus la pression exercée sur l'interrupteur est élevée, plus la cadence de coupe augmente.

La cadence de coupe idéale dépend de la nature du matériau et des conditions de travail. Il est conseillé de la déterminer en procédant à des essais préalables.

Il est recommandé de réduire la cadence de coupe au moment où la lame de scie est appliquée contre la pièce ainsi que lors de la découpe de matières plastiques ou d'aluminium.

Lors de travaux de coupe assez longs avec une faible cadence de coupe, l'outil électroportatif risque de chauffer fortement. Retirez la lame de scie et faites tourner l'outil électroportatif à sa cadence de coupe maximale pendant environ 3 minutes afin de refroidir le moteur.

**Instructions d'utilisation**

- ▶ **Débranchez le câble d'alimentation de la prise avant d'effectuer des travaux quels qu'il soient sur l'outil électroportatif.**

- ▶ **Arrêtez immédiatement l'appareil électroportatif lorsque la lame coince.**

#### Conseils

- ▶ **Lors du sciage de matériaux de construction légers, respectez les dispositions légales ainsi que les recommandations du fabricant du matériau.**

Avant de scier dans du bois, des panneaux d'agglomérés, des matériaux de construction etc., vérifiez si ceux-ci contiennent des corps étrangers tels que clous ou vis etc., et utilisez la lame de scie appropriée.

Mettez l'outil électroportatif en marche et approchez-le de la pièce à travailler. Placez la plaque de base (2) sur la surface de la pièce et sciez complètement le matériau en appliquant une pression et/ou avance régulière. Une fois le travail terminé, arrêtez l'outil électroportatif.

Arrêtez immédiatement l'outil électroportatif lorsque la lame de scie se coince. À l'aide d'un outil approprié, écartez légèrement la fente de sciage et retirez l'outil électroportatif.

#### Plaque de base orientable (voir figure B)

Particulièrement mobile, la plaque de base (2) s'adapte à l'angle de la surface.

#### Coupes plongeantes (voir figures D-E)

- ▶ **Il n'est possible d'effectuer des coupes plongeantes que dans des matériaux tendres tels que le bois, les plaques de plâtre. N'effectuez pas de coupes plongeantes dans des matériaux métalliques.**

N'utilisez que des lames courtes pour effectuer des coupes plongeantes.

Positionnez l'outil électroportatif avec le bord de la plaque de base (2) sur la pièce, sans que la lame de scie (1) ne vienne en contact avec la pièce, et mettez l'outil électroportatif en marche. Si l'outil électroportatif dispose d'un variateur de vitesse, sélectionnez la cadence de coupe maximale. Appliquez fermement l'outil électroportatif contre la pièce et laissez lentement la lame plonger dans la pièce.

Dès que la plaque de base (2) repose de toute sa surface sur la pièce, mettez-vous à scier le long de la ligne de coupe préalablement tracée.

Pour certains travaux, il est possible de monter la lame de scie (1) tournée de 180° et d'utiliser la scie sabre tournée en conséquence.

#### Sciage au ras (voir figure C)

Les lames bimétal souples permettent par exemple de scier au ras des murs des pièces en saillie telles que des tuyaux d'eau.

- ▶ **Veillez à ce que la lame de scie soit toujours plus longue que le diamètre de la pièce à découper. Il y aurait sinon risque de rebond.**

Placez la lame de scie directement contre le mur et incurvez-la un peu en exerçant une pression latérale sur l'outil électroportatif jusqu'à ce que la plaque de base repose sur le mur. Mettez l'outil électroportatif en marche et sectionnez la pièce en appliquant une pression latérale constante.

#### Liquides de refroidissement/lubrifiant

Pour la découpe de métal, appliquez un lubrifiant ou un liquide de refroidissement le long de la ligne de coupe.

## Entretien et Service après-vente

### Nettoyage et entretien

- ▶ **Débranchez le câble d'alimentation de la prise avant d'effectuer des travaux quels qu'il soient sur l'outil électroportatif.**
- ▶ **Tenez toujours propres l'outil électroportatif ainsi que les fentes de ventilation afin d'obtenir un travail impeccable et sûr.**

Nettoyez régulièrement le porte-lame, de préférence à l'air comprimé ou avec un pinceau souple. Pour ce faire, enlever la lame de scie de l'outil électroportatif. Maintenez le porte-lame en parfait état de fonctionnement en utilisant un lubrifiant approprié.

Un fort encrassement de l'outil électroportatif risque d'altérer son bon fonctionnement. Pour cette raison, ne sciez jamais les matériaux produisant beaucoup de poussière par dessous ou dans une position en hauteur.

Dans le cas où un remplacement du câble d'alimentation s'avère nécessaire, confiez la réparation à Bosch ou à un centre de Service après-vente agréé pour outillage Bosch afin d'éviter de compromettre la sécurité.

### Remplacement des charbons (voir figure F)

Contrôlez la longueur des charbons tous les 2 – 3 mois environ et remplacez les deux charbons en cas de besoin.

Remplacez toujours les deux charbons à la fois !

**Remarque :** N'utilisez que les charbons Bosch d'origine qui sont prévus pour votre outil.

- Retirez les caches (4) avec un tournevis approprié.
- Remplacez les charbons (10) montés sur ressort et revissez les caches.

### Service après-vente et conseil utilisateurs

Notre Service après-vente répond à vos questions concernant la réparation et l'entretien de votre produit et les pièces de rechange. Vous trouverez des vues éclatées et des informations sur les pièces de rechange sur le site : [www.bosch-pt.com](http://www.bosch-pt.com)

L'équipe de conseil utilisateurs Bosch se tient à votre disposition pour répondre à vos questions concernant nos produits et leurs accessoires.

[www.powertool-portal.de](http://www.powertool-portal.de), le portail Internet pour artisans et bricoleurs.

Pour toute demande de renseignement ou commande de pièces de rechange, précisez impérativement la référence à 10 chiffres figurant sur l'étiquette signalétique du produit.

#### Algérie

Siestal  
Zone Industrielle Ihaddaden  
06000 Bejaia  
Tel. : +213 (0) 982 400 991/2



Fax : +213 (0) 3 420 1569  
E-Mail : sav@siestal-dz.com

#### Maroc

Robert Bosch Morocco SARL  
53, Rue Lieutenant Mahroud Mohamed  
20300 Casablanca  
E-Mail : sav.outillage@ma.bosch.com

#### Tunisie

Robert Bosch Tunisie SARL  
7 Rue Ibn Battouta Z.I. Saint Gobain  
Mégrine Riadh  
2014 Ben Arous  
Tél. : +216 71 427 496/879  
Fax : +216 71 428 621  
E-Mail : sav.outillage@tn.bosch.com

#### Côte d'Ivoire

Rimco  
ZONE 3, 9 RUE DU CANAL  
01 BP V230, Abidjan 01  
Tel. : +225 21 25 93 38

#### Sénégal

Bernabé  
Km 2,5 – Bd du Centenaire de la Commune de Dakar  
B.P. 2098 DAKAR  
Tel. : +221 33 849 01 01  
Fax : +221 33 823 34 20

### Élimination des déchets

Les outils électroportatifs, ainsi que leurs accessoires et emballages, doivent pouvoir suivre chacun une voie de recyclage appropriée.



Ne jetez pas les outils électroportatifs avec les ordures ménagères !



## Português

### Instruções de segurança

#### Instruções gerais de segurança para ferramentas eléctricas

##### **AVISO**

Devem ser lidas todas as indicações de segurança,

instruções, ilustrações e especificações desta ferramenta eléctrica. O desrespeito das instruções apresentadas abaixo poderá resultar em choque eléctrico, incêndio e/ou ferimentos graves.

Guarde bem todas as advertências e instruções para futura referência.

O termo "ferramenta eléctrica" utilizado a seguir nas indicações de advertência, refere-se a ferramentas

eléctricas operadas com corrente de rede (com cabo de rede) e a ferramentas eléctricas operadas com acumulador (sem cabo de rede).

#### Segurança da área de trabalho

- ▶ **Mantenha a sua área de trabalho sempre limpa e bem iluminada.** Desordem ou áreas de trabalho insuficientemente iluminadas podem levar a acidentes.
- ▶ **Não trabalhar com a ferramenta eléctrica em áreas com risco de explosão, nas quais se encontrem líquidos, gases ou pós inflamáveis.** Ferramentas eléctricas produzem faíscas, que podem inflamar pós ou vapores.
- ▶ **Manter crianças e outras pessoas afastadas da ferramenta eléctrica durante a utilização.** No caso de distração é possível que perca o controlo sobre o aparelho.

#### Segurança eléctrica

- ▶ **A ficha de conexão da ferramenta eléctrica deve caber na tomada. A ficha não deve ser modificada de maneira alguma. Não utilizar uma ficha de adaptação junto com ferramentas eléctricas protegidas por ligação à terra.** Fichas não modificadas e tomadas apropriadas reduzem o risco de um choque eléctrico.
- ▶ **Evitar que o corpo possa entrar em contacto com superfícies ligadas à terra, como tubos, aquecimentos, fogões e frigoríficos.** Há um risco elevado devido a choque eléctrico, se o corpo estiver ligado à terra.
- ▶ **Manter o aparelho afastado de chuva ou humidade.** A infiltração de água numa ferramenta eléctrica aumenta o risco de choque eléctrico.
- ▶ **Não deverá utilizar o cabo para outras finalidades. Nunca utilizar o cabo para transportar a ferramenta eléctrica, para pendurá-la, nem para puxar a ficha da tomada. Manter o cabo afastado do calor, do óleo, de arestas afiadas ou de peças em movimento.** Cabos danificados ou emaranhados aumentam o risco de um choque eléctrico.
- ▶ **Se trabalhar com uma ferramenta eléctrica ao ar livre, só deverá utilizar cabos de extensão apropriados para áreas exteriores.** A utilização de um cabo de extensão apropriado para áreas exteriores reduz o risco de um choque eléctrico.
- ▶ **Se não for possível evitar o funcionamento da ferramenta eléctrica em áreas húmidas, deverá ser utilizado um disjuntor de corrente de avaria.** A utilização de um disjuntor de corrente de avaria reduz o risco de um choque eléctrico.

#### Segurança de pessoas

- ▶ **Esteja atento, observe o que está a fazer e tenha prudência ao trabalhar com a ferramenta eléctrica. Não utilizar uma ferramenta eléctrica quando estiver fatigado ou sob a influência de drogas, álcool ou medicamentos.** Um momento de descuido ao utilizar a ferramenta eléctrica, pode levar a lesões graves.



- ▶ **Utilizar equipamento de protecção individual. Utilizar sempre óculos de protecção.** A utilização de equipamento de protecção pessoal, como máscara de protecção contra pó, sapatos de segurança antiderrapantes, capacete de segurança ou protecção auricular, de acordo com o tipo e aplicação da ferramenta eléctrica, reduz o risco de lesões.
- ▶ **Evitar uma colocação em funcionamento involuntária. Assegure-se de que a ferramenta eléctrica esteja desligada, antes de conectá-la à alimentação de rede e/ou ao acumulador, antes de levantá-la ou de transportá-la.** Se tiver o dedo no interruptor ao transportar a ferramenta eléctrica ou se o aparelho for conectado à alimentação de rede enquanto estiver ligado, poderão ocorrer acidentes.
- ▶ **Remover ferramentas de ajuste ou chaves de boca antes de ligar a ferramenta eléctrica.** Uma ferramenta ou chave que se encontre numa parte do aparelho em movimento pode levar a lesões.
- ▶ **Evite uma posição anormal. Mantenha uma posição firme e mantenha sempre o equilíbrio.** Desta forma é mais fácil controlar a ferramenta eléctrica em situações inesperadas.
- ▶ **Usar roupa apropriada. Não usar roupa larga nem jóias. Mantenha os cabelos e roupas afastados de peças em movimento.** Roupas frouxas, cabelos longos ou jóias podem ser agarrados por peças em movimento.
- ▶ **Se for possível montar dispositivos de aspiração ou de recolha, assegure-se de que estejam conectados e utilizados correctamente.** A utilização de uma aspiração de pó pode reduzir o perigo devido ao pó.
- ▶ **Não deixe que a familiaridade resultante de uma utilização frequente de ferramentas permita que você se torne complacente e ignore os princípios de segurança da ferramenta.** Uma acção descuidada pode causar ferimentos graves numa fracção de segundo.

#### Utilização e manuseio cuidadoso de ferramentas eléctricas

- ▶ **Não sobrecarregue a ferramenta eléctrica. Utilize a ferramenta eléctrica apropriada para o seu trabalho.** É melhor e mais seguro trabalhar com a ferramenta eléctrica apropriada na área de potência indicada.
- ▶ **Não utilizar uma ferramenta eléctrica com um interruptor defeituoso.** Uma ferramenta eléctrica que não pode mais ser ligada nem desligada, é perigosa e deve ser reparada.
- ▶ **Puxar a ficha da tomada e/ou remover o acumulador, se amovível, antes de executar ajustes na ferramenta eléctrica, de substituir acessórios ou de guardar as ferramentas eléctricas.** Esta medida de segurança evita o arranque involuntário da ferramenta eléctrica.
- ▶ **Guardar ferramentas eléctricas não utilizadas fora do alcance de crianças e não permitir que as pessoas que não estejam familiarizadas com o aparelho ou que não tenham lido estas instruções utilizem o aparelho.**

Ferramentas eléctricas são perigosas se forem utilizadas por pessoas inexperientes.

- ▶ **Tratar a ferramenta eléctrica e os acessórios com cuidado. Controlar se as partes móveis do aparelho funcionam perfeitamente e não emperram, e se há peças quebradas ou danificadas que possam prejudicar o funcionamento da ferramenta eléctrica. Permitir que peças danificadas sejam reparadas antes da utilização.** Muitos acidentes têm como causa, a manutenção insuficiente de ferramentas eléctricas.
- ▶ **Manter as ferramentas de corte afiadas e limpas.** Ferramentas de corte cuidadosamente tratadas e com cantos de corte afiados emperram com menos frequência e podem ser conduzidas com maior facilidade.
- ▶ **Utilizar a ferramenta eléctrica, acessórios, ferramentas de aplicação, etc. conforme estas instruções. Considerar as condições de trabalho e a tarefa a ser executada.** A utilização de ferramentas eléctricas para outras tarefas a não ser as aplicações previstas, pode levar a situações perigosas.
- ▶ **Mantenha os punhos e as superfícies de agarrar secas, limpas e livres de óleo e massa consistente.** Punhos e superfícies de agarrar escorregadias não permitem o manuseio e controle seguros da ferramenta em situações inesperadas.

#### Serviço

- ▶ **Só permita que o seu aparelho seja reparado por pessoal especializado e qualificado e só com peças de reposição originais.** Desta forma é assegurado o funcionamento seguro do aparelho.

#### Indicações de segurança para serras de sabre

- ▶ **Segure a ferramenta eléctrica nas superfícies de agarrar isoladas, ao executar uma operação onde o acessório de corte possa entrar em contacto com cabos escondidos ou com o próprio cabo.** Se o acessório de corte entrar em contacto com um fio "sob tensão", as partes metálicas expostas da ferramenta eléctrica ficam "sob tensão" e podem produzir um choque eléctrico.
- ▶ **Use grampos ou outra forma prática para fixar e suportar a peça a trabalhar numa plataforma estável.** Segurar a peça a trabalhar com a mão ou contra o seu corpo, deixa a peça instável e pode perder o controlo.
- ▶ **Manter as mãos afastadas da área de serrar. Não tocar na peça a ser trabalhada pelo lado de baixo.** Há perigo de lesões no caso de contacto com a lâmina de serra.
- ▶ **Durante o trabalho, segure a ferramenta eléctrica com as duas mãos e providencie uma estabilidade segura.** A ferramenta eléctrica é conduzida com maior segurança com ambas as mãos.
- ▶ **Só conduzir a ferramenta eléctrica no sentido da peça a ser trabalhada quando estiver ligada.** Caso contrário há risco de um contragolpe, se a ferramenta de aplicação se engancha na peça a ser trabalhada.

- ▶ **Certifique-se de que a placa base ao serrar está sempre encostada à peça.** A lâmina de serra pode emperrar e levar à perda de controlo sobre a ferramenta elétrica.
- ▶ **Após encerrado o processo de trabalho, deverá desligar a ferramenta elétrica e apenas puxar a lâmina de serra do corte, quando a ferramenta elétrica estiver parada.** Desta forma são evitados contragolpes e é possível apoiar a ferramenta elétrica com segurança.
- ▶ **Espere que a ferramenta elétrica pare completamente, antes de depositá-la.** A ferramenta de aplicação pode emperrar e levar à perda de controlo sobre a ferramenta elétrica.
- ▶ **Só utilizar lâminas de serra que estejam em perfeito estado e que não apresentem danos.** Lâminas de serra tortas e não suficiente afiadas podem quebrar, influenciar negativamente o corte ou causar um contragolpe.
- ▶ **Não travar a lâmina de serra através de pressão lateral após desligar o aparelho.** A lâmina de serra pode ser danificada, ser quebrada ou causar um contragolpe.
- ▶ **Fixe bem o material. Não apoie a peça com a mão ou com o pé. Não toque em objetos ou no chão com a serra em funcionamento.** Existe o risco de contragolpe.
- ▶ **Utilizar detetores apropriados, para encontrar cabos escondidos, ou consulte a companhia elétrica local.** O contacto com cabos elétricos pode provocar fogo e choques elétricos. Danos em tubos de gás podem levar à explosão. A penetração num cano de água causa danos materiais ou pode provocar um choque elétrico.
- (4) Capas para as escovas de carvão
- (5) Travamento do interruptor de ligar/desligar
- (6) Interruptor de ligar/desligar
- (7) Chave sextavada interior
- (8) Punho (superfície do punho isolada)
- (9) Alavanca SDS para fixar e soltar as lâminas de serra
- (10) Escova de carvão

## Dados técnicos

Serra de sabre	GSA 120	
Número de produto		3 601 FB1 0..
Comando do número de cursos		●
Potência nominal absorvida	W	1200
N.º de cursos em vazio $n_0$	min <sup>-1</sup>	0–3000
Encabadouro		SDS
Curso	mm	29
máx. profundidade de corte		
– em madeira	mm	220
– em aço (não ligado)	mm	20
– Diâmetro do tubo	mm	220
Peso conforme EPTA-Procedure 01:2014	kg	3,7
Classe de proteção		□/II

Os dados aplicam-se a uma tensão nominal [U] de 230 V. Com tensões divergentes e em versões específicas do país, estes dados podem variar.

## Descrição do produto e do serviço



**Leia todas as instruções de segurança e instruções.** A inobservância das instruções de segurança e das instruções pode causar choque elétrico, incêndio e/ou ferimentos graves.

Respeite as figuras na parte da frente do manual de instruções.

### Utilização adequada

A ferramenta elétrica serve para serrar madeira, plástico, metal e materiais de construção com batente fixo. É apropriada para cortes retos e curvos. Com a utilização da respetiva lâmina de serra em bimetal adequada é possível fazer cortes à face. As recomendações da lâmina de serra devem ser observadas.

### Componentes ilustrados

A numeração dos componentes ilustrados refere-se à apresentação da ferramenta elétrica na página de esquemas.

- (1) Lâmina de serra
- (2) Placa de base
- (3) Admissão da lâmina de serra

## Montagem

- ▶ **Antes de todos trabalhos na ferramenta elétrica deverá puxar a ficha de rede da tomada.**

### Introduzir/substituir a lâmina de serra

- ▶ **Para a montagem ou substituição do acessório é necessário usar luvas de proteção.** Os acessórios são afiados e podem ficar quentes em caso de uso prolongado.
- ▶ **Ao substituir a lâmina de serra, tome atenção para que a admissão da lâmina de serra esteja livre de restos de materiais, como por exemplo aparas de madeira ou de metal. Tome também atenção para que não existam encabadouros quebrados na admissão da lâmina de serra.**

### Selecionar lâmina de serra

Encontra um resumo das lâminas de serra recomendadas no final destas instruções. Use apenas lâminas de serra com encabadouro universal de 1/2". A lâmina de serra não deveria ser mais longa do que necessário para o corte previsto.

A espessura do encabadouro da lâmina de serra tem de ser de 0,8–1,8 mm.

Para serrar curvas apertadas deve ser usada uma lâmina de serrar estreita.

#### **Introduzir a lâmina de serra (ver figura A)**

Pressione a alavanca SDS (9) para a frente e insira a lâmina de serra (1) por trás da placa de aperto na admissão da lâmina de serra (3). Solte a alavanca SDS (9).

#### ► **Verifique a posição firme, puxando a lâmina de serra.**

Uma lâmina de serra solta pode cair e causar feridas.

Para determinados trabalhos a lâmina de serra (1) também pode ser virada a 180° (dentes virados para cima) e utilizada novamente.

#### **Retirar a lâmina de serra**

#### ► **Deixe a lâmina de serra arrefecer antes de a retirar.**

Há perigo de lesões no caso de um contacto com a lâmina de serra quente.

Pressione a alavanca SDS (9) para a frente e puxe a lâmina de serra (1) para fora. Solte a alavanca SDS (9).

#### **Aspiração de pó/de aparas**

Pó de materiais como por exemplo, tintas que contém chumbo, alguns tipos de madeira, minerais e metais, podem ser nocivos à saúde. O contacto ou a inalação dos pó pode provocar reacções alérgicas e/ou doenças nas vias respiratórias do utilizador ou das pessoas que se encontrem por perto.

Certos pó, como por exemplo pó de carvalho e faia são considerados como sendo cancerígenos, especialmente quando juntos com substâncias para o tratamento de madeiras (cromato, preservadores de madeira). Material que contém asbesto só deve ser processado por pessoal especializado.

- Assegurar uma boa ventilação do local de trabalho.
- É recomendável usar uma máscara de protecção respiratória com filtro da classe P2.

Observe as diretivas para os materiais a serem processados, vigentes no seu país.

#### ► **Evite a acumulação de pó no local de trabalho.** Pó podem entrar levemente em ignição.

## **Funcionamento**

#### **Colocação em funcionamento**

#### ► **Observar a tensão de rede! A tensão da fonte de corrente elétrica deve coincidir com os dados que constam na placa de características da ferramenta elétrica. Ferramentas elétricas marcadas para 230 V também podem ser operadas com 220 V.**

#### **Ligar/desligar**

Para **ligar** a ferramenta elétrica, prima o interruptor de ligar/desligar (6).

Para **fixar** o interruptor de ligar/desligar (6) mantenha-o pressionado e prima também o sistema de retenção (5).

Para **desligar** a ferramenta elétrica, solte o botão de ligar/desligar (6). Fixado o interruptor de ligar/desligar (6), prima-o primeiro e solte-o depois.

#### **Comandar número de cursos**

Pode regular o número de cursos da ferramenta elétrica ligada de forma contínua, consoante a pressão que faz no interruptor de ligar/desligar (6).

Uma leve pressão sobre o interruptor de ligar/desligar (6) proporciona um número de cursos baixo. Aumentando a pressão, é aumentado o número de cursos.

O número de cursos necessário depende do material e das condições de trabalho e pode ser determinado por tentativas.

Recomendamos uma redução do número de cursos ao colocar a lâmina de serra na peça, assim como ao serrar plástico e alumínio.

No caso de trabalhos mais prolongados com número de cursos reduzido, a ferramenta elétrica pode aquecer muito. Retire a lâmina de serra e deixe a ferramenta elétrica funcionar aprox. 3 min com o número de cursos mais elevado para arrefecer.

#### **Instruções de trabalho**

- **Antes de todos trabalhos na ferramenta elétrica deverá puxar a ficha de rede da tomada.**
- **Desligue a ferramenta elétrica de imediato se a lâmina de serra encravar.**

#### **Recomendações**

#### ► **Ao serrar materiais macios, respeite as recomendações e disposições legais do fabricante do material.**

Antes de serrar em madeira, placas de aglomerado de madeira, materiais de construção etc. verifique se estes apresentam corpos estranhos, como pregos, parafusos ou semelhantes e utilize uma lâmina de serra adequada.

Ligue a ferramenta elétrica e aproximar da peça a trabalhar. Coloque a placa de base (2) na superfície da peça e serre com pressão ou avanço no material uniformes. Depois de concluir o processo de trabalho, desligue a ferramenta elétrica.

Se a lâmina de serra encravar, desligue a ferramenta elétrica de imediato. Alargue ligeiramente a ranhura de corte com uma ferramenta adequada e retire a ferramenta elétrica.

#### **Placa de base móvel (ver figura B)**

Graças à sua mobilidade, a placa de base (2) adapta-se à respetiva posição angular necessária da superfície.

#### **Serrar em imersão (ver figuras D-E)**

#### ► **Só podem ser processados materiais macios como madeira, pladur ou semelhantes no processo de imersão! Não trabalhar com processo de serrar por imersão em materiais metálicos!**

Só utilizar lâminas de serra curtas ao serrar por imersão. Coloque a ferramenta elétrica com a aresta da placa de base (2) na peça, sem que a lâmina de serra (1) toque na peça, e

ligue-a. Nas ferramentas elétricas com controlo dos cursos seleccione o número de cursos máximo. Pressione a ferramenta elétrica contra a peça e deixe a lâmina de serra afundar devagar na peça.

Assim que a placa de base (2) assentar completamente da peça, continue a serrar ao longo da linha de corte desejada. Para determinados trabalhos, a lâmina de serra (1) também pode ser inserida rodada a 180° e a ferramenta elétrica pode ser inserida virada de forma correspondente.

#### Serrar à face (ver figura C)

Com lâminas de serra em bimetal elásticas é possível, por exemplo, serrar elementos construtivos salientes, como canos da água, à face da parede.

- ▶ **Certifique-se de que a lâmina de serra é sempre maior do que o diâmetro da peça a trabalhar. Existe o risco de contragolpe.**

Coloque a lâmina de serra diretamente na parede e dobre-a um pouco, pressionando lateralmente na ferramenta elétrica, até a placa de base estar encostada à parede. Ligue a ferramenta elétrica e serre a peça com uma pressão lateral constante.

#### Meio de arrefecimento e de lubrificação

Ao serrar metal, deveria aplicar um meio de lubrificação ou de arrefecimento ao longo da linha de corte, devido ao aquecimento do material.

## Manutenção e assistência técnica

### Manutenção e limpeza

- ▶ **Antes de todos trabalhos na ferramenta elétrica deverá puxar a ficha de rede da tomada.**
- ▶ **Manter a ferramenta elétrica e as aberturas de ventilação sempre limpas, para trabalhar bem e de forma segura.**

Limpe a admissão da lâmina de serra de preferência com ar comprimido ou com um pincel macio. Para tal retire a lâmina de serra da ferramenta elétrica. Mantenha a admissão da lâmina de serra operacional usando um lubrificante adequado.

Uma forte sujidade da ferramenta elétrica pode causar falhas de funcionamento. Por isso, não serre material que origine muito pó a partir de baixo ou por cima da cabeça. Se for necessário substituir o cabo de ligação, isto deverá ser realizado pela Bosch ou por um posto de assistência técnica autorizado para ferramentas elétricas Bosch para evitar riscos de segurança.

### Trocar as escovas de carvão (ver figura F)

Verifique o comprimento das escovas de carvão a cada 2-3 meses e, se necessário, troque as duas escovas de carvão. Nunca substitua apenas uma escova de carvão!

**Nota:** utilize apenas escovas de carvão adquiridas através da Bosch, as quais são apropriadas para o seu produto.

- Solte as capas (4) com uma chave de parafusos apropriada.

- Substitua as escovas de carvão (10) que estão sob pressão de mola e aparafuse novamente as capas.

### Serviço pós-venda e aconselhamento

O serviço pós-venda responde às suas perguntas a respeito de serviços de reparação e de manutenção do seu produto, assim como das peças sobressalentes. Desenhos explodidos e informações sobre peças sobressalentes encontram-se em: **www.bosch-pt.com**

A nossa equipa de consultores Bosch esclarece com prazer todas as suas dúvidas a respeito dos nossos produtos e acessórios.

**www.powertool-portal.de**, o portal de Internet para operários e aficionados da bricolage.

Indique para todas as questões e encomendas de peças sobressalentes a referência de 10 dígitos de acordo com a placa de características do produto.

#### Brasil

Robert Bosch Ltda. – Divisão de Ferramentas Elétricas  
Caixa postal 1195 – CEP: 13065-900  
Campinas – SP  
Tel.: 0800 7045 446  
[www.bosch.com.br/contato](http://www.bosch.com.br/contato)

#### Angola

InvestGlobal  
Parque Logístico  
Estrada de Viana Km 12  
Luanda  
Tel.: +212 948 513 580  
E-Mail: [helderribeiro@investglobal-ang.com](mailto:helderribeiro@investglobal-ang.com)

### Eliminação

Ferramentas elétricas, acessórios e embalagens devem ser enviados a uma reciclagem ecológica de matérias-primas.



Não deitar ferramentas elétricas no lixo doméstico!

## 中文

### 安全规章

#### 电动工具通用安全警告

**警告！** 警告！ 阅读所有警告和所有说明！ 不遵照以下警告和说明会导致电击、着火和/或严重伤害。

**保存所有警告和说明书以备查阅。**

在所有下列的警告中术语“电动工具”指市电驱动（有线）电动工具或电池驱动（无线）电动工具。

#### 工作场地的安全

- ▶ **保持工作场地清洁和明亮。** 混乱和黑暗的场地会引发事故。

- ▶ **不要在易爆环境，如有易燃液体、气体或粉尘的环境下操作电动工具。** 电动工具产生的火花会点燃粉尘或气体。
- ▶ **让儿童和旁观者离开后操作电动工具。** 注意力不集中会使操作者失去对工具的控制。

#### 电气安全

- ▶ **电动工具插头必须与插座相配。绝不能以任何方式改装插头。** 需接地的电动工具不能使用任何转换插头。未经改装的插头和相配的插座将减少电击危险。
- ▶ **避免人体接触接地表面，如管道、散热片和冰箱。** 如果你身体接地会增加电击危险。
- ▶ **不得将电动工具暴露在雨中或潮湿环境中。** 水进入电动工具将增加电击危险。
- ▶ **不得滥用电线。绝不能用电线搬运、拉动电动工具或拔出其插头。** 使电线远离热源、油、锐边或运动部件。受损或缠绕的软线会增加电击危险。
- ▶ **当在户外使用电动工具时，使用适合户外使用的外接软线。** 适合户外使用的软线将减少电击危险。
- ▶ **如果在潮湿环境下操作电动工具是不可避免的，应使用剩余电流动作保护器（RCD）。** 使用RCD可减小电击危险。

#### 人身安全

- ▶ **保持警觉，当操作电动工具时关注所从事的操作并保持清醒。** 当你感到疲倦，或在有药物、酒精或治疗反应时，不要操作电动工具。在操作电动工具时瞬间的疏忽会导致严重人身伤害。
- ▶ **使用个人防护装置。始终佩戴护目镜。** 安全装置，诸如适当条件下使用防尘面具、防滑安全鞋、安全帽、听力防护等装置能减少人身伤害。
- ▶ **防止意外起动。确保开关在连接电源和/或电池盒、拿起或搬运工具时处于关断位置。** 手指放在已接通电源的开关上或开关处于接通时插入插头可能会导致危险。
- ▶ **在电动工具接通之前，拿掉所有调节钥匙或扳手。** 遗留在电动工具旋转零件上的扳手或钥匙会导致人身伤害。
- ▶ **手不要伸展得太长。时刻注意立足点和身体平衡。** 这样在意外情况下能很好地控制电动工具。
- ▶ **着装适当。不要穿宽松衣服或佩戴饰品。让衣服、手套和头发远离运动部件。** 宽松衣服、佩戴饰或长发可能会卷入运动部件中。
- ▶ **如果提供了与排屑、集尘设备连接的装置，要确保他们连接完好且使用得当。** 使用这些装置可减少尘屑引起的危险。
- ▶ **即使由于经常使用电动工具而对此非常熟悉，也不要就认为可以高枕无忧而忽略工具的安全规定。** 粗心大意的行为可能在瞬间就造成严重的伤害。

#### 电动工具使用和注意事项

- ▶ **不要滥用电动工具，根据用途使用适当的电动工具。** 选用适当设计的电动工具会使你工作更有效、更安全。

- ▶ **如果开关不能接通或关断工具电源，则不能使用该电动工具。** 如果开关不能接通或关断工具电源，则不能使用该电动工具。
- ▶ **在进行任何调节、更换附件或贮存电动工具之前，必须从电源上拔掉插头和/或使电池盒与工具脱开。** 这种防护性措施将减少工具意外起动的危险。
- ▶ **将闲置不用的电动工具贮存在儿童所及范围之外，并且不要让不熟悉电动工具或对这些说明不了解的人操作电动工具。** 电动工具在未经培训的用户手中是危险的。
- ▶ **保养电动工具。检查运动件是否调整到位或卡住，检查零件破损情况和影响电动工具运行的其他状况。** 如有损坏，电动工具应在使用前修理好。许多事故由维护不良的电动工具引发。
- ▶ **保持切削刀具锋利和清洁。** 保养良好的有锋利切削刃的刀具不易卡住而且容易控制。
- ▶ **按照使用说明书，考虑作业条件和进行的作业来使用电动工具、附件和工具的刀头等。** 将电动工具用于那些与其用途不符的操作可能会导致危险。
- ▶ **保持手柄和握持表面干燥、清洁、无油污。** 在突发情况下，滑溜的手柄和握持表面无法确保安全地握持和控制工具。

#### 维修

- ▶ **将电动工具用于那些与其用途不符的操作可能会导致危险。** 这样将确保所维修的电动工具的安全性。

#### 针对马刀锯的安全规章

- ▶ **在切削附件可能触及暗线或其自身软线之处进行操作时，要通过绝缘握持面来握持工具。** 切削附件碰到带电导线会使工具外露的金属零件带电从而使操作者受到电击。
- ▶ **使用夹箍或其他实用方式将加工件固定和支承到一个稳定的平台上。** 用手握住或用身体顶住加工件会导致不稳定，从而引起失控。
- ▶ **双手必须远离锯割范围，手不可以握在工件下端。** 如果不小心碰触了锯片可能被割伤。
- ▶ **工作时使用双手握紧电动工具并确保站稳。** 使用双手才能够稳定地操作电动工具。
- ▶ **先开动电动工具后再把工具放置在工件上切割。** 如果电动工具被夹在工件中，会有反弹的危险。
- ▶ **注意锯割时必须把底盘正确安稳地放置在工件上。** 锯片可能在工作中被夹住，而令您无法控制电动工具。
- ▶ **工作告一段落时，必须先关闭电动工具并等待机器完全静止后，才可以从锯缝中拔出锯刀。** 如此不但可以防止反弹，而且可以防止放置机器时发生危险。
- ▶ **等待电动工具完全静止后才能够放下机器。** 机器上的工具可能在工作中被夹住，而令您无法控制电动工具。
- ▶ **只能使用未受损的功能正常的锯片。** 弯曲或变钝的锯片可能断裂，对锯痕造成负面影响或导致反弹。



- ▶ 关机后不可以侧压刀片来制止仍然继续转动的刀片。锯刀可能因此受损、断裂或者造成反击。
- ▶ 材料要牢固夹紧。不得用手或脚支撑工件。不得用正在运转的锯片触碰物体或地面。有反弹危险。
- ▶ 使用合适的侦测装置侦察隐藏的电线，或者向当地的相关单位寻求支援。接触电线可能引起火灾并让操作者触电。损坏了瓦斯管会引起爆炸。凿穿水管不仅会造成严重的财物损失，也可能导致触电。

## 产品和性能说明



请阅读所有安全规章和指示。不遵照以下警告和说明可能导致电击、着火和/或严重伤害。

请注意本使用说明书开头部分的图示。

### 按照规定使用

本电动工具可以锯割木材、塑料、金属和一般建材。锯割时必须用力地将机器顶向工件。本机器不仅能够直锯，也可以锯弯角。安装了专用的双金属锯刀后，能够锯割出非常平整的锯口。选用锯刀时请参考本公司提出的建议。

### 插图上的机件

机件的编号和电动工具详解图上的编号一致。

- (1) 锯片
- (2) 底板
- (3) 锯片架
- (4) 破刷的盖子
- (5) 电源开关止动件
- (6) 电源开关
- (7) 内六角扳手
- (8) 手柄（绝缘握柄）
- (9) 用于夹紧和松开锯片SDS杆
- (10) 破刷

### 技术参数

马刀锯		GSA 120
物品代码		3 601 FB1 0..
冲击次数控制装置		●
额定输入功率	瓦	1200
空载转速 $n_0$	转/分	0-3000
工具夹头		SDS
冲程	毫米	29
最大切割深度		
- 木材	毫米	220
- 钢材（非合金）	毫米	20
- 管直径	毫米	220

### 马刀锯

GSA 120

重量符合	千克	3.7
EPTA-Procedure 01:2014		
保护等级		□/

所有参数适用于230伏的额定电压[U]，对于其他不同的电压和国际规格，数据有可能不同。

## 安装

- ▶ 在电动工具上进行所有操作之前都必须从插座上拔出电源插头。

### 安装/更换锯片

- ▶ 安装或更换工具刀头时务必佩戴保护手套。工具刀头非常锋利，长时间使用后会变热。
- ▶ 更换锯刀时请注意，锯片架上不可以有任何杂物，例如木屑或金属屑等。还请注意锯片架中不能有断裂的刀柄。

### 选择锯片

在本说明书的最后有锯片的一览表。只能安装带1/2英寸通用刀柄的锯片。锯片长度不得超过预定锯切线所需的数值。

锯片的柄部厚度必须在0.8 - 1.8毫米之间。

在狭小的弯角上锯割时要使用窄的锯片。

### 安装锯片（参见插图A）

向前按压SDS杆(9)，将锯片(1)在夹紧板后面推入到锯片架(3)中。松开SDS杆(9)。

- ▶ 通过拉动锯片来检查安装是否牢固。松脱的锯片会从接头掉落并伤害您。

对于某些操作，也可以将锯片(1)翻转180°（锯齿朝上）后再使用。

### 拆卸锯片

- ▶ 锯片冷却后才能取出。接触炙热的锯片有受伤的危险。

向前按压SDS杆(9)，然后拉出锯片(1)。松开SDS杆(9)。

### 吸锯尘/吸锯屑

含铅的颜料以及某些木材、矿物和金属的加工废尘有害健康。机器操作者或者工地附近的人如果接触、吸入这些废尘，可能会有过敏反应或者感染呼吸道疾病。

某些尘埃（例如加工橡木或山毛榉的废尘）可能致癌，特别是和处理木材的添加剂（例如木材的防腐剂等）结合之后。只有经过专业培训的人才能够加工含石棉的物料。

- 工作场所要保持空气流通。
- 最好佩戴P2滤网等级的口罩。

请留心并遵守贵国和加工物料有关的法规。

- ▶ 避免让工作场所堆积过多的尘垢。尘埃容易被点燃。

## 运行

### 投入使用

- ▶ **注意电源电压！** 电源的电压必须和电动工具铭牌上标示的电压一致。标记为230伏电动工具用220伏的电压可以驱动。

### 接通/关闭

- 要 **接通** 电动工具，按压起停开关 (6)。
- 要 **锁定** 起停开关 (6)，按住起停开关并另外按压止动件 (5)。
- 要 **关闭** 电动工具，松开起停开关 (6)。起停开关 (6) 锁住时，请先按压，然后再松开。

### 控制冲击次数

- 可以无级调节已接通电动工具的冲击次数，视按压起停开关 (6) 的力道程度决定。
- 以较小的力按压起停开关 (6) 时，冲击次数较低。逐渐在开关上加压，冲击次数也会跟着提高。
- 正确的冲击次数必须视工件物料和工作状况而定。唯有实际操作才能找出最合适的冲击次数。
- 起锯时，或者锯割塑料、铝片时最好降低冲击次数。
- 以小的冲击次数长期工作之后，电动工具会变得很热。拆下锯片，让电动工具以最高冲击次数运作3分钟以加速冷却。

### 工作提示

- ▶ **在电动工具上进行所有操作之前都必须从插座上拔出电源插头。**
- ▶ **当锯片被夹住时，请立即关闭电动工具。**

### 建议

- ▶ **锯割轻建材时，必须注意有关的法令规定以及材料供应商提供的建议事宜。**

锯切木材、刨花板、建筑材料等材料前应检查是否有异物，比如钉子、螺栓等类似物质，请使用合适的锯片。

先开动电动工具再把工具靠在工件上。将底板(2)放到工件表面上，用均匀的压力或进给量锯断材料。工作完备后随手关闭电动工具。

如果锯刀被夹住了，必须马上关闭电动工具。使用合适的工具撑开锯缝并拔出电动工具。

### 可翻转底板 (参见插图B)

底板(2)通过表面所需角度位置的移动来自动调整。

### 切入式锯切 (参见插图D - E)

- ▶ **在切入式锯切工艺中，仅允许加工软材料，比如木材、石膏板等类似材料！不要使用切入式锯切工艺加工金属。**

切入式锯切时只能使用短锯片。

将电动工具底板(2)的一边放到工件上，锯片(1)不要触碰到工件，然后开机。如果电动工具有冲击次数控制装置，必须选择最高冲击次数。将电动工具用力压向工件，并让锯片慢慢地切入工件中。

一旦底板(2)齐平地贴着工件，就可沿着所需的锯切线继续切割。

对于某些操作，可将锯片(1)旋转180°后安装并相应地翻转电动工具。

### 齐平锯切 (参见插图C)

使用双金属弹性锯片，可以直接在墙壁上锯切突出的结构件，比如水管。

- ▶ **注意锯片应始终长于待加工工件的直径。有反弹危险。**

把锯刀直接靠在墙上，侧向按压电动工具，让锯片稍稍弯曲，直到底板贴在墙面上。将电动工具开机，使用恒定的侧向压力锯断工件。

### 冷却剂/润滑剂

锯割金属时由于物料会变热，必须沿着锯割线涂抹冷却剂或润滑剂。

## 维修和服务

### 保养和清洁

- ▶ **在电动工具上进行所有操作之前都必须从插座上拔出电源插头。**
- ▶ **电动工具和通气孔必须随时保持清洁，以确保工作效率和工作安全。**

建议用压缩空气或者软刷来清洁锯片架。此时必须先拆卸电动工具上的锯片。请使用合适的润滑剂来确保锯片架的正常功能。

电动工具如果沾满污垢，可能会影响机器的功能。因此，请勿从下方或在头顶上切割会产生大量粉尘的材料。

如果必须更换连接线，务必把这项工作交给博世或者经授权的博世电动工具顾客服务执行，以避免危害机器的安全性能。

### 更换碳刷 (见图片F)

每2到3个月就得检查碳刷的长度，必要时两个碳刷都得更换。

切勿只更换一个碳刷！

**提示：**只能向博世购买针对该产品的碳刷。

- 用合适的螺丝起子机松开盖帽(4)。
- 请更换处于弹簧压力下的碳刷(10)并再次拧上盖帽。

### 客户服务和应用咨询

本公司顾客服务处负责回答有关本公司产品的修理、维护和备件的问题。备件的分解图和信息也可查看：[www.bosch-pt.com](http://www.bosch-pt.com)

博世应用咨询团队乐于就我们的产品及其附件问题提供帮助。

[www.powertool-portal.de](http://www.powertool-portal.de)，适合工匠和DIY者的互联网门户网站。

如需查询和订购备件，请务必提供产品型号铭牌上的10位数货号。

### 香港和澳门特别行政区

罗伯特博世有限公司  
香港北角英皇道625号，  
21楼  
客户服务热线：+852 2101 0235

## 24 | 繁體中文

传真: +852 2590 9762  
电子邮件: info@hk.bosch.com  
www.bosch-pt.com.hk

### 中国大陆

博世电动工具(中国)  
有限公司, 中国浙江省杭州市  
滨江区滨康路567号  
102/1F服务中心  
邮政编码: 310052

电话: (0571) 8887 5566 / 5588  
传真: (0571) 8887 6688 x 5566# / 5588#  
电邮: bsc.hz@cn.bosch.com

### 中华人民共和国

### 中国大陆

博世电动工具(中国)有限公司  
博世服务中心

中国浙江省杭州市

滨江区

滨康路567号,

310052

电话: (0571) 8887 5566 / 5588

传真: (0571) 8887 6688 x 5566# / 5588#

电子邮件: bsc.hz@cn.bosch.com

www.bosch-pt.com.cn

### 处理废弃物

必须以符合环保要求的方式回收再利用电动工具、附件和包装材料。



请勿将电动工具扔到生活垃圾中!

产品中有害物质的名称及含量

部件名称	有害物质					
	铅 (Pb)	汞 (Hg)	镉 (Cd)	六价铬 (Cr <sup>+6</sup> )	多溴联苯 (PBB)	多溴二苯醚 (PBDE)
外壳的金属部分	0	0	0	0	0	0
外壳的非金属部分	0	0	0	0	0	0
机械传动机构	X	0	0	0	0	0
电机组件	X	0	0	0	0	0
控制组件	X	0	0	0	0	0
附件	0	0	0	0	0	0
配件	0	0	0	0	0	0
连接件	X	0	0	0	0	0
电源线* ①	0	0	0	0	0	0
电池系统* ②	X	0	0	0	0	0

本表格依据SJ/T11364 的规定编制。

0: 表示该有害物质在该部件所有均质材料中的含量均在GB/T 26572 规定的限量要求以下。

X: 表示该有害物质至少在该部件的某一均质材料中的含量超出GB/T 26572 规定的限量要求。

且目前业界没有成熟的替代方案,符合欧盟RoHS 指令环保要求。

① 适用于采用电源线连接供电的产品。

② 适用于采用充电电池供电的产品。

产品环保使用期限内的使用条件参见产品说明书。

## 繁體中文

### 安全注意事項

#### 電動工具一般安全注意事項

#### ⚠ 警告

請詳讀工作臺及電動工具的所有安全警告與使用說明。若不

遵照以下列出的指示,將可能導致電擊、著火和/或人員重傷。

**保存所有警告和說明書以備查閱。**

在所有警告中,「電動工具」此一名詞泛指:以市電驅動的(有線)電動工具或是以電池驅動的(無線)電動工具。



### 工作場地的安全

- ▶ 保持工作場地清潔和明亮。混亂和黑暗的場地會引發事故。
- ▶ 不要在易爆環境，如有易燃液體、氣體或粉塵的環境下操作電動工具。電動工具產生的火花會點燃粉塵或氣體。
- ▶ 讓兒童和旁觀者離開後操作電動工具。注意力不集中會使您失去對工具的控制。

### 電氣安全

- ▶ 電動工具插頭必須與插座相配。絕不能以任何方式改裝插頭。需接地的電動工具不能使用任何轉換插頭。未經改裝的插頭和相配的插座將減少電擊危險。
- ▶ 避免人體接觸接地表面，如管道、散熱片和冰箱。如果您身體接地會增加電擊危險。
- ▶ 不得將電動工具暴露在雨中或潮濕環境中。水進入電動工具將增加電擊危險。
- ▶ 不得濫用電線。絕不能用電線搬運、拉動電動工具或拔出其插頭。使電線遠離熱源、油、銳利邊緣或移動零件。受損或纏繞的軟線會增加電擊危險。
- ▶ 當在戶外使用電動工具時，使用適合戶外使用的延長線。適合戶外使用的軟線，將減少電擊危險。
- ▶ 如果在潮濕環境下操作電動工具是不可避免的，應使用剩餘電流動作保護器（RCD）。使用RCD可降低電擊危險。

### 人身安全

- ▶ 保持警覺，當操作電動工具時關注所從事的操作並保持清醒。當您感到疲倦，或在有藥物、酒精或治療反應時，不要操作電動工具。在操作電動工具時瞬間的疏忽會導致嚴重人身傷害。
- ▶ 使用個人防護裝置。始終佩戴護目鏡。安全裝置，諸如適當條件下使用防塵面具、防滑安全鞋、安全帽、聽力防護等裝置能減少人身傷害。
- ▶ 防止意外起動。確保開關在連接電源和/或電池盒、拿起或搬運工具時處於關閉位置。手指放在已接通電源的開關上或開關處於接通時插入插頭可能會導致危險。
- ▶ 在電動工具接通之前，拿掉所有調節鑰匙或扳手。遺留在電動工具旋轉零件上的扳手或鑰匙會導致人身傷害。
- ▶ 手不要伸展得太長。時刻注意立足點和身體平衡。這樣在意外情況下能很好地控制電動工具。
- ▶ 著裝適當。不要穿寬鬆衣服或佩戴飾品。讓您的衣物及頭髮遠離運動部件。寬鬆衣服、佩飾或長髮可能會捲入運動部件中。
- ▶ 如果提供了與排屑、集塵設備連接用的裝置，要確保他們連接完好且使用得當。使用這些裝置可減少塵屑引起的危險。
- ▶ 切勿因經常使用工具所累積的熟練感而過度自信，輕忽工具的安全守則。任何一個魯莽的舉動都可能瞬間造成人員重傷。

### 電動工具使用和注意事項

- ▶ 不要濫用電動工具，根據用途使用適當的電動工具。選用適當設計的電動工具會使您工作更有效、更安全。
- ▶ 如果開關不能開啟或關閉工具電源，則不能使用該電動工具。不能用開關來控制的電動工具是危險的且必須進行修理。
- ▶ 在進行任何調整、更換配件或貯存電動工具之前，必須從電源上拔掉插頭並/或取出電池盒。這種防護性措施將減少工具意外起動的危險。
- ▶ 將閒置不用的電動工具貯存在兒童所及範圍之外，並且不要讓不熟悉電動工具或對這些說明不瞭解的人操作電動工具。電動工具在未經培訓的用戶手中是危險的。
- ▶ 保養電動工具與配備。檢查運動件是否調整到位或卡住，檢查零件破損情況和影響電動工具運行的其他狀況。如有損壞，電動工具應在使用前修理好。許多事故由維護不良的電動工具引發。
- ▶ 保持切削刀具鋒利和清潔。保養良好的有鋒利切削刃的刀具不易卡住而且容易控制。
- ▶ 按照使用說明書，考慮作業條件和進行的作業來使用電動工具、配件和工具的刀頭等。將電動工具用於那些與其用途不符的操作可能會導致危險。
- ▶ 把手及握持區應保持乾燥、潔淨，且不得沾染任何油液或油脂。易滑脫的把手及握持區將無法讓您在發生意外狀況時安全地抓緊並控制工具。

### 檢修

- ▶ 將您的電動工具送交專業維修人員，必須使用同樣的備件進行更換。這樣將確保所維修的電動工具的安全性。

### 軍刀鋸安全注意事項

- ▶ 進行作業時，負責進行切割的配件可能會碰觸到隱藏的配線或電動工具的電線，請從絕緣握把處拿持電動工具。負責進行切割的配件若是觸及「導電」電線，可能導致電動工具外露的金屬部件「導電」，進而使操作人員遭受電擊。
- ▶ 請用夾具或其他可行方式將工件穩固地架在可靠平台上。用手握持工件或將它貼靠在您身上會因無法確實固定而導致失控。
- ▶ 雙手必須遠離鋸割範圍，手不可以握在工件下端。如果不小心碰觸了鋸片可能被割傷。
- ▶ 作業期間請用雙手牢牢握緊電動工具並保持穩固。使用雙手才能夠更穩當地操作電動工具。
- ▶ 先啟動電動工具後再把工具放置在工件上切割。如果電動工具被夾在工件中，會有反彈的危險。
- ▶ 請注意：進行鋸切時，請將底座保持貼靠在工件上。鋸片可能在工作中被夾住，而令您無法控制電動工具。
- ▶ 工作告一段落時，必須先關閉電動工具並等待機器完全靜止後，才可以從鋸縫中抽出鋸刀。如此不但可以防止反彈，而且可以防止放置機器時發生危險。
- ▶ 必須等待電動工具完全靜止後才能將它放下。物件工具可能卡住而使電動工具失控。

- ▶ **只能使用未受損、功能正常的鋸片。**彎曲或變鈍的鋸片可能斷裂，對鋸痕造成負面影響或導致反彈。
- ▶ **關機後不可以側壓刀片來制止仍然繼續轉動的刀片。**鋸刀可能因此受損、斷裂或者造成反彈。
- ▶ **請確實夾緊加工材料。請勿用手或用腳撐住工件。**請勿讓運轉中的電鋸碰觸任何物品或地面。可能會發生反彈。
- ▶ **使用合適的偵測裝置偵察隱藏的電線，或者向當地的相關單位尋求支援。**接觸電線可能引起火災並讓操作者觸電。若損壞瓦斯管會引起爆炸。鑿穿水管不僅會造成嚴重的財物損失，也可能導致觸電。

## 產品和功率描述



請詳讀所有安全注意事項和指示。如未遵守安全注意事項與指示，可能導致火災、人員遭受電擊及/或重傷。請留意操作說明書中最前面的圖示。

### 依規定使用機器

本電動工具可以鋸切木材、塑膠、金屬和一般建材。鋸切時必須用力地將機器頂向工件。本機器不僅能夠鋸切直線，也可以鋸切曲線。安裝了專用的雙金屬鋸片後，即能鋸切出非常平整的鋸口。選用鋸片時請參考本公司建議。

### 插圖上的機件

機件的編號和電動工具詳解圖上的編號一致。

- (1) 鋸片
- (2) 底板
- (3) 鋸片接頭
- (4) 破刷外蓋
- (5) 起停開關鎖
- (6) 起停開關
- (7) 內六角扳手
- (8) 把手（絕緣握柄）
- (9) 用以夾緊和鬆開鋸片的 SDS 扳片
- (10) 破刷

### 技術性數據

單刀鋸		GSA 120
產品機號		3 601 FB1 0..
衝擊次數調控		●
額定輸入功率	W	1200
無負載轉速 $n_0$	次 / 分	0-3000
工具夾頭		SDS
衝程	mm	29
最大鋸切深度		
- 在木材上	mm	220

單刀鋸		GSA 120
- 在鋼材上（非合金）	mm	20
- 管徑	mm	220
重量符合	kg	3.7
EPTA-Procedure 01:2014		
絕緣等級		□/

本說明書提供的參數是以 230 伏特為依據，於低電壓地區，此數據有可能不同。

## 安裝

- ▶ **維修電動工具或換裝零、配件之前，務必從插座上拔出插頭。**

### 安裝 / 更換鋸片

- ▶ **安裝或更換嵌件工具時務必穿戴防護手套。**嵌件工具極為銳利，而且長時間使用後可能發燙。
- ▶ **更換鋸片時請注意，鋸片接頭上不可以有任何殘留的材料，例如木屑或金屬屑等。請注意：柄部若已斷裂切不可裝入鋸片接頭內。**

### 選擇鋸片

本手冊最後面另外刊錄了鋸片一覽表。所使用的鋸片必須具有 1/2" 通用柄。鋸片長度不得超過預定鋸線。

鋸片的柄部厚度必須為 0.8 - 1.8 mm。

在狹小的彎角上鋸切時應要使用窄型鋸片。

### 安裝鋸片（請參考圖 A）

將 SDS 扳片 (9) 往前推，將鋸片 (1) 嵌進夾板後方的鋸片接頭 (3) 內。放開 SDS 扳片 (9)。

- ▶ **透過拉動，確認鋸片是否已裝牢。**鬆動的鋸片可能脫落並造成您受傷。

針對某些特定加工作業，亦可將鋸片 (1) 翻面後（即鋸齒朝上）再重新裝上。

### 拆卸鋸片

- ▶ **取下鋸片之前，請先讓它冷卻。**接觸炙熱的鋸片有受傷之虞。

將 SDS 扳片 (9) 往前推，然後拔出鋸片 (1)。放開扳片 (9)。

### 吸鋸塵 / 吸鋸屑

含鉛的顏料及部分木材、礦物和金屬的加工廢塵有害健康。機器操作者或者工地附近的人如果接觸、吸入這些廢塵，可能有過敏反應或者感染呼吸道疾病。

特定粉塵（例如加工橡木或山毛櫸的廢塵）可能致癌，特別是與處理木材的添加劑（例如木材的防腐劑等）混合之後。只有經過專業訓練的人才允許加工含石棉的物料。

- 工作場所要保持空氣流通。
- 建議佩戴 P2 濾網等級的口罩。

請留意並遵守貴國與加工物料有關的法規。

- ▶ **避免讓工作場所堆積過多的塵垢。**塵埃容易被點燃。

## 操作

### 操作機器

- ▶ **請注意電源電壓！** 電源的電壓必須和電動工具銘牌上標示的電壓一致。標示為 230 V 的電動工具亦可接上 220 V 電源。

### 啟動 / 關閉電源

若要**啟動**電動工具：按下起停開關 (6)。

若要**固定**起停開關 (6) 的位置，請將它按住不放並同時按壓鎖扣 (5)。

若要**關閉**電動工具，放開起停開關 (6) 即可。起停開關 (6) 的位置若是已被鎖定，請按一下該開關然後放開。

### 調整衝擊次數

您可為已啟動的電動工具無段調控轉速，衝擊次數是由按壓起停開關 (6) 的深度而定。

輕按起停開關 (6) 時，衝擊次數較少。按得越緊衝擊次數越多。

正確的衝擊次數必須視工件物料和工作狀況而定。唯有實際操作才能找出最合適的衝擊次數。

將鋸片放到工件上時以及鋸切塑膠、鋁片時，建議您降低衝擊次數。

以較少的衝擊次數長時間加工後，電動工具會變得很熱。拆下鋸片，讓電動工具以最高衝擊次數運作 3 分鐘以加速冷卻。

### 作業注意事項

- ▶ **維修電動工具或換裝零、配件之前，務必從插座上拔出插頭。**
- ▶ **如果鋸片被夾住了，請立刻關閉電動工具的電源。**

### 建議

- ▶ **鋸切輕建材時，必須注意有關的法令規定以及材料供應商提供的建議事宜。**

在鋸進木材、塑合板、建材等物的內部前，請先確認有無異物（例如鐵釘、螺栓等），並且應使用適合的鋸片。

先啟動電動工具再把工具靠在工件上。請將底座 (2) 靠在工件表面上，然後施力均勻地鋸開或推進。工作完成後隨手關閉電動工具。

如果鋸片被夾住了，必須馬上關閉電動工具。使用合適的工具撐開鋸縫，然後將電動工具拔出。

### 活動式底座 (請參考圖 B)

底座 (2) 活動自如，可隨時配合加工表面所需的角度位置調整。

### 潛鋸 (請參考圖 D-E)

- ▶ **僅在加工木材、石膏板等這類軟性材料時可進行潛鋸！不能在金屬上進行潛鋸！**

潛鋸時只能使用短型鋸片。

將電動工具的底座 (2) 邊緣放到工件上，但不要讓鋸片 (1) 接觸到工件，然後啟動機器。如果電動工具具備衝擊次數調控功能的話，必須選擇最高衝擊

次數。用力地把電動工具壓向工件，並讓鋸片慢慢地潛入工件中。

待底座 (2) 完全貼靠在工件上時，便立刻沿著預計完工的鋸切線繼續鋸切。

針對某些特定加工作業，亦可將鋸片 (1) 旋轉 180°，並配合其方向推進電動工具。

### 平鋸 (請參考圖 C)

彈性雙金屬鋸片可讓您平貼在牆壁上鋸開凸出的建築構件，例如水管。

- ▶ **請注意：鋸片的長度必須全程超出加工工件的直徑。可能會發生反彈。**

把鋸片直接靠在牆上，側壓電動工具讓底座貼在牆面上。啟動電動工具並透過均力地側壓鋸斷工件。

### 冷卻劑 / 潤滑劑

鋸切金屬時由於物料會變熱，必須在鋸割線上塗抹冷卻劑或潤滑劑。

## 維修和服務

### 保養與清潔

- ▶ **維修電動工具或換裝零、配件之前，務必從插座上拔出插頭。**

- ▶ **電動工具和通風口都必須保持清潔，這樣才能夠提高工作品質和安全性。**

壓縮空氣是清潔鋸片接頭的最佳工具，或軟刷亦可。此時必須先拆除電動工具上的鋸片。使用合適的潤滑劑保養鋸片接頭，即可常保運作正常。

電動工具如果沾滿污垢，可能會影響機器的功能。請勿從下方或從高於頭部的位置鋸切會生成大量粉塵的材料。

如果必須更換連接線，請務必交由博世或者經授權的博世電動工具顧客服務執行，以避免危害機器的安全性能。

### 更換碳刷 (請參考圖 F)

每 2 至 3 個月就應檢查碳刷長度。必要時應同時更換兩個碳刷。

切勿僅單獨更換任一碳刷！

**提示：**只能向博世購買針對該電動工具而設計的碳刷。

- 使用合適的螺絲起子拆開外蓋 (4)。
- 更換透過彈簧固定的碳刷 (10) 然後將外蓋重新鎖好。

### 顧客服務處和顧客諮詢中心

本公司顧客服務處負責回答有關本公司產品的維修、維護和備用零件的問題。如需分解圖和備件的資料，請至以下網頁：[www.bosch-pt.com](http://www.bosch-pt.com)

若對本公司產品及其配件有任何疑問，博世應用諮詢小組很樂意為您提供協助。

工匠與 DIY 玩家網路平台入口：[www.powertool-portal.de](http://www.powertool-portal.de)

當您需要諮詢或訂購備用零件時，請務必提供本產品銘牌上的 10 位零件編號。

台灣

台灣羅伯特博世股份有限公司  
建國北路一段90 號6 樓  
台北市10491  
電話: (02) 2515 5388  
傳真: (02) 2516 1176  
www.bosch-pt.com.tw

#### 製造商地址:

Robert Bosch Power Tools GmbH  
羅伯特·博世電動工具有限公司  
70538 Stuttgart / GERMANY  
70538 斯圖加特 / 德國

#### 廢棄物處理

必須以符合環保的方式，回收再利用損壞的機器、配件和廢棄的包裝材料。



不可以把電動工具丟入一般的家庭垃圾中。

## ไทย

### คำเตือนเพื่อความปลอดภัย

#### คำเตือนเพื่อความปลอดภัยทั่วไปสำหรับเครื่องมือไฟฟ้า

##### คำเตือน

อ่านคำเตือนเพื่อความปลอดภัย คำแนะนำ ภาพประกอบ และข้อมูล

จำเพาะทั้งหมดที่จัดส่งมาพร้อมกับเครื่องมือไฟฟ้า การไม่ปฏิบัติตามคำแนะนำทั้งหมดที่ระบุไว้ด้านล่างนี้อาจทำให้ถูกไฟฟ้าดูด เกิดไฟไหม้ และ/หรือได้รับบาดเจ็บอย่างร้ายแรง

เก็บรักษาคำเตือนและคำสั่งทั้งหมดสำหรับเปิดอ่านในภายหลัง

คำว่า "เครื่องมือไฟฟ้า" ในคำเตือนหมายถึง เครื่องมือไฟฟ้าของท่านที่ทำงานด้วยพลังงานไฟฟ้าจากแหล่งจ่ายไฟหลัก (มีสายไฟฟ้า) และเครื่องมือไฟฟ้าที่ทำงานด้วยพลังงานไฟฟ้าจากแบตเตอรี่ (ไร้สาย)

#### ความปลอดภัยในสถานที่ทำงาน

- ▶ รักษาสถานที่ทำงานให้สะอาดและมีไฟส่องสว่างดี สถานที่ที่มีมืดหรือรกรุงรังนำมาซึ่งอุบัติเหตุ
- ▶ อย่าใช้เครื่องมือไฟฟ้าทำงานในสภาพบรรยากาศที่จุดติดไฟได้ เช่น ในที่ที่มีของเหลวไวไฟ ก๊าซ หรือฝุ่น เมื่อใช้เครื่องมือไฟฟ้าจะเกิดประกายไฟซึ่งอาจจุดฝุ่นหรือไอให้ลุกเป็นไฟได้
- ▶ ขณะใช้เครื่องมือไฟฟ้าทำงาน ต้องกันเด็กและผู้ยี่นดูให้ออกห่าง การหันเหความสนใจอาจทำให้ท่านขาดการควบคุมเครื่องได้

#### ความปลอดภัยเกี่ยวกับไฟฟ้า

- ▶ ปลั๊กของเครื่องมือไฟฟ้าต้องเหมาะสมพอดีกับเต้าเสียบ อย่าตัดแปลงปลั๊กไม่ว่าในลักษณะใดๆ อย่างเด็ดขาด อย่าใช้ปลั๊กฟ่วงต่อใดๆ กับเครื่องมือไฟฟ้าที่มีสายดิน ปลั๊กที่ไม่ตัดแปลงและเต้าเสียบที่เข้ากันช่วยลดความเสี่ยงจากการถูกไฟฟ้าดูด
- ▶ หลีกเลี่ยงอย่าให้ร่างกายสัมผัสกับพื้นผิวที่ต่อสายดินหรือลงกราวด์ไว้ เช่น ท่อ เครื่องทำความร้อน เต้า และตู้เย็น จะเสี่ยงอันตรายจากการถูกไฟฟ้าดูดตามกั้น หากกรกระแสไฟฟ้าวิ่งผ่านร่างกายของท่านลงดิน
- ▶ อย่าให้เครื่องมือไฟฟ้าถูกฝนหรืออยู่ในสภาพเปียกชื้น หากน้ำเข้าในเครื่องมือไฟฟ้า จะเพิ่มความเสี่ยงจากการถูกไฟฟ้าดูด
- ▶ อย่าใช้สายไฟฟ้าในทางที่ผิด อย่าใช้สายไฟฟ้าเพื่อยก ดึง หรือถอดปลั๊กเครื่องมือไฟฟ้า กั้นสายไฟฟ้าออกจากความร้อน น้ำมัน ขอบแหลมคม หรือชิ้นส่วนที่เคลื่อนที่ สายไฟฟ้าที่ชำรุดหรือพันกันยุ่งเพิ่มความเสี่ยงจากการถูกไฟฟ้าดูด
- ▶ เมื่อใช้เครื่องมือไฟฟ้าทำงานกลางแจ้ง ให้ใช้สายไฟต่อที่เหมาะสมสำหรับงานกลางแจ้ง การใช้สายไฟต่อที่เหมาะสมสำหรับงานกลางแจ้ง ช่วยลดอันตรายจากการถูกไฟฟ้าดูด
- ▶ หากไม่สามารถหลีกเลี่ยงการใช้เครื่องมือไฟฟ้าทำงานในสถานที่เปียกชื้นได้ ให้ใช้สวิทซ์ตรวจจับการรั่วไหลของไฟฟ้าจากสายดิน (RCD) การใช้สวิทซ์ตรวจจับการรั่วไหลของไฟฟ้าจากสายดินช่วยลดความเสี่ยงต่อการถูกไฟฟ้าดูด

#### ความปลอดภัยของบุคคล

- ▶ ท่านต้องอยู่ในสภาพเตรียมพร้อม ระวังระมัดระวังในสิ่งที่ท่านกำลังทำอยู่ และมีสติขณะใช้เครื่องมือไฟฟ้าทำงาน อย่าใช้เครื่องมือไฟฟ้าขณะที่ท่านกำลังเหนื่อย หรืออยู่ภายใต้การครอบงำของฤทธิ์ของยาเสพติด แอลกอฮอล์ และยา เมื่อใช้เครื่องมือไฟฟ้าทำงานในช่วงเวลาที่ท่านขาดความเอาใจใส่อาจทำให้บุคคลบาดเจ็บอย่างรุนแรงได้
- ▶ ใช้อุปกรณ์ปกป้องร่างกาย สวมแว่นตาป้องกันเสมอ อุปกรณ์ปกป้อง เช่น หนามากกกันฝุ่น รองเท้านิรภัย หมวกแข็ง หรือประภทกันเสียงดังที่ใช่ตามความเหมาะสมกับสภาพการทำงาน จะลดการบาดเจ็บทางร่างกาย
- ▶ ป้องกันการคิดเครื่องโดยไม่ตั้งใจ ตรวจสอบให้แน่ใจว่าสวิทซ์อยู่ในตำแหน่งปิดก่อนเชื่อมต่อเข้ากับแหล่งจ่ายไฟ และ/หรือแบตเตอรี่เพื่อ ยกหรือถือเครื่องมือ การถือเครื่องโดยใช้นิ้วหัวที่สวิทซ์ หรือเสียบปลั๊กไฟฟ้าขณะสวิทซ์เปิดอยู่ อาจนำไปสู่อุบัติเหตุที่ร้ายแรงได้
- ▶ นำเครื่องมือปรับแต่งหรือประแจปากตายออกก่อนเปิดสวิทซ์เครื่องมือไฟฟ้า เครื่องมือหรือประแจปากตายที่วางอยู่กับส่วนของเครื่องที่กำลังหมุนจะทำให้บุคคลบาดเจ็บได้
- ▶ อย่าเอื้อมไกลเกินไป ตั้งที่ยืนที่มั่นคงและวางน้ำหนักให้สมดุลตลอดเวลา ในลักษณะที่ท่านสามารถควบคุมเครื่องมือไฟฟ้าในสถานการณ์ที่ไม่คาดคิดได้ดีกว่า
- ▶ แต่งกายอย่างเหมาะสม อย่าใส่เสื้อผ้าหลวมหรือสวมเครื่องประดับ เอาผมและเสื้อผ้าออกจากทางจากชิ้นส่วนที่



เคลื่อนที่ เลื่อนผ้าหาลวม เครื่องประดับ และผมยาวอาจเข้าไปติดในชิ้นส่วนที่เคลื่อนที่

- ▶ หากเครื่องมือไฟฟ้ามีข้อเชื่อมต่อกับเครื่องดูดฝุ่นหรือเครื่องเก็บผง ให้ตรวจสอบให้แน่ใจว่าได้เชื่อมต่อและใช้งานอย่างถูกต้อง การไขว้ขั้วกรรณดูดฝุ่นช่วยลดอันตรายที่เกิดจากฝุ่นได้
- ▶ เมื่อใช้งานเครื่องมืออยู่ครั้งจะเกิดความคุ้นเคย อย่าให้ความคุ้นเคยทำให้ท่านเกิดความชะล่าใจและละเลยกฎเกณฑ์ด้านความปลอดภัยในการใช้งานเครื่อง การทำงานอย่างไม่ระมัดระวังอาจทำให้เกิดการบาดเจ็บอย่างร้ายแรงภายในเสี้ยววินาที

#### การใช้และการดูแลรักษาเครื่องมือไฟฟ้า

- ▶ อย่างสิ้นกำลังเครื่องมือไฟฟ้า ใช้เครื่องมือไฟฟ้าที่ถูกตรงตรงตามลักษณะงานของท่าน เครื่องมือไฟฟ้าที่ถูกตรงจะทำงานได้ดีกว่าและปลอดภัยกว่าในระดับสมรรถภาพที่ออกแบบไว้
  - ▶ อย่าใช้เครื่องมือไฟฟ้าถ้าสวิทช์ไม่สามารถเปิดปิดได้ เครื่องมือไฟฟ้าที่ไม่สามารถควบคุมการเปิดปิดด้วยสวิทช์ได้ เป็นเครื่องมือไฟฟ้าที่ไม่ปลอดภัยและต้องส่งซ่อมแซม
  - ▶ ก่อนปรับแต่งเครื่อง เปลี่ยนอุปกรณ์ประกอบ หรือเก็บเครื่องเข้าที่ ต้องถอดปลั๊กออกจากแหล่งจ่ายไฟ และ/หรือถอดแบตเตอรี่แพคออกจากเครื่องมือไฟฟ้าหากถอดออกได้
- มาตรการป้องกันเพื่อความปลอดภัยนี้ช่วยลดความเสี่ยงจากการติดเครื่องโดยไม่ตั้งใจ
- ▶ เมื่อเลิกใช้งานเครื่องมือไฟฟ้า ให้เก็บเครื่องไว้ในที่ที่เด็กหยิบไม่ถึง และโมฆะตามหลักที่ไมคุ้นเคยกับเครื่องหรือบุคคลที่ไม่ได้อ่านคำแนะนำเหล่านี้ ใช้เครื่องมือไฟฟ้าเป็นของอันตรายหากตกอยู่ในมือของผู้ใช้ที่ไม่ได้รับการฝึกฝน
  - ▶ บำรุงรักษาเครื่องมือไฟฟ้าและอุปกรณ์ประกอบ ตรวจสอบชิ้นส่วนที่เคลื่อนที่ว่าวางไม่ตรงแนวหรือติดขัดหรือไม่ ตรวจสอบการแตกหักของชิ้นส่วนและสภาพอื่นใดที่อาจมีผลต่อการทำงานของเครื่องมือไฟฟ้า หากชำรุดต้องส่งเครื่องมือไฟฟ้าไปซ่อมแซมก่อนใช้งาน อุบัติเหตุหลายอย่างเกิดขึ้นเนื่องจากดูแลรักษาเครื่องไม่ดีพอ
  - ▶ รักษาเครื่องมือตัดให้คมและสะอาด หากบำรุงรักษาเครื่องมือที่มีขอบตัดแหลมคมอย่างถูกต้องจะสามารถตัดได้ลื่นไม่ติดขัดและควบคุมได้ง่ายกว่า
  - ▶ ใช้เครื่องมือไฟฟ้า อุปกรณ์ประกอบ เครื่องมือ และอุปกรณ์อื่นๆ ตรงตามคำแนะนำเหล่านี้ โดยคำนึงถึงเงื่อนไขการทำงานและงานที่จะทำ การใช้เครื่องมือไฟฟ้าทำงานที่ต่างไปจากวัตถุประสงค์การใช้งานของเครื่อง อาจนำไปสู่สถานการณ์ที่เป็นอันตรายได้
  - ▶ ดูแลตามจับและพื้นผิวจับให้แห้ง สะอาด และปราศจากคราบน้ำมันและจาระบี ตามจับและพื้นผิวจับที่ลื่นทำให้หยิบจับได้ไม่ปลอดภัย และไม่สามารถควบคุมเครื่องมือในสถานการณ์ที่ไม่คาดคิด

#### การบริการ

- ▶ ส่งเครื่องมือไฟฟ้าของท่านเข้ารับบริการจากช่างซ่อมที่มีคุณสมบัติเหมาะสม โดยใช้ชื่อที่เหมือน

กันเท่านั้น ในลักษณะนี้ท่านจะแน่ใจได้ว่าเครื่องมือไฟฟ้าอยู่ในสภาพที่ปลอดภัย

#### คำเตือนเพื่อความปลอดภัยสำหรับเลื่อยถยนต์ประมง

- ▶ เมื่อทำงานในบริเวณที่อุปกรณ์ตัดอาจสัมผัสสายไฟฟ้าที่ซ่อนอยู่หรือสายไฟฟ้าของตัวเอง ต้องจับเครื่องมือไฟฟ้าตรงพื้นผิวจับทั้งหมดจนกว่าอุปกรณ์ตัดสัมผัสสายที่ "มีกระแสไฟฟ้า" ไหลผ่าน จะทำให้ชิ้นส่วนโลหะที่ไม่ได้ออกแบบของเครื่องมือไฟฟ้าเกิด "มีกระแสไฟฟ้า" ด้วย และส่งผลให้ผู้ใช้งานเครื่องถูกไฟฟ้าดูดได้
- ▶ ใช้เครื่องมือหนีบหรือวิธีอื่นที่ได้ผลเพื่อยึดและหนุนชิ้นงานกับแท่นที่มั่นคง การจับชิ้นงานด้วยมือหรือยื่นไว้กับร่างกายจะไม่มั่นคง และอาจทำให้สูญเสียการควบคุมได้
- ▶ เอามือออกจากบริเวณแนวเลื่อย อยู่เอื้อมมือเข้าใต้ชิ้นงาน การสัมผัสกับใบเลื่อยจะทำให้บาดเจ็บได้
- ▶ จับเครื่องมือไฟฟ้าให้แน่นด้วยมือทั้งสองข้างและตั้งท่ายืนใหม่มั่นคงขณะทำงาน ท่านจะสามารถนำทางเครื่องมือไฟฟ้าได้ปลอดภัยกว่าเมื่อจับเครื่องมือทั้งสองข้าง
- ▶ จับเครื่องมือไฟฟ้าเข้าทำงานเมื่อเครื่องเปิดสวิทช์อยู่เท่านั้น มิฉะนั้นอาจได้รับอันตรายจากการตีกลับหากเครื่องมือตัดติดขัดอยู่ในชิ้นงาน
- ▶ ตรวจสอบให้แน่ใจว่าขณะเลื่อยได้วางแผ่นฐานไว้ชิดกับชิ้นงานเสมอ ใบเลื่อยอาจติดขัดและทำให้สูญเสียการควบคุมเครื่องมือไฟฟ้า
- ▶ เมื่อเสร็จสิ้นการทำงาน ให้ปิดสวิทช์เครื่องมือไฟฟ้าและดึงใบเลื่อยออกจากร่องตัดเมื่อใบเลื่อยหยุดนิ่งอยู่กับที่แล้วเท่านั้น ในลักษณะนี้ท่านสามารถหลีกเลี่ยงการตีกลับ และวางเครื่องลงได้อย่างปลอดภัย
- ▶ ปล่อยให้เครื่องมือไฟฟ้าหยุดสนิทก่อนวางเครื่องลงบนพื้น เครื่องมือที่ใส่อยู่อาจติดขัดและทำให้สูญเสียการควบคุมเครื่องมือไฟฟ้า
- ▶ ใช้เฉพาะใบเลื่อยที่ไม่ชำรุดและมีสภาพที่สมบูรณ์เท่านั้น ใบเลื่อยที่ทื่อหรือบิดงอสามารถแตกหัก ส่งผลเชิงลบต่อการตัด หรือทำให้เกิดการตีกลับได้
- ▶ หลังปิดสวิทช์ อย่าเบรคใบเลื่อยให้หยุดด้วยวิธีการกดลงตามขวาง ใบเลื่อยอาจชำรุด แตกหัก หรือทำให้เกิดการตีกลับได้
- ▶ ยึดหนีบวัสดุให้แน่น อย่าใช้มือหรือเท้าของงานพยุงชิ้นงานไว้ อย่าให้เครื่องมือที่กำลังทำงานสัมผัสวัสดุหรือพื้น อันตรายจากการตีกลับ
- ▶ ใช้เครื่องตรวจจับที่เหมาะสมเพื่อตรวจหาสายไฟฟ้าหรือท่อสาธารณูปโภคที่อาจซ่อนอยู่ในบริเวณทำงานหรือติดต่อบริษัทสาธารณูปโภคในพื้นที่เพื่อขอความช่วยเหลือ การสัมผัสกับสายไฟฟ้าอาจทำให้เกิดไฟไหม้หรือถูกไฟฟ้าดูด การทำให้ท่อแก๊ซเสียหายอาจทำให้เกิดระเบิด การเจาะเข้าในท่อน้ำทำให้ทรัพย์สินเสียหาย หรืออาจเป็นเหตุให้ถูกไฟฟ้าดูดได้

## รายละเอียดผลิตภัณฑ์และข้อมูล จำเพาะ



**อ่านคำเตือนเพื่อความปลอดภัยและคำแนะนำทั้งหมด** การไม่ปฏิบัติตามคำเตือนและคำสั่งอาจเป็นสาเหตุใหญ่ถูกไฟฟ้าดูด เกิดไฟไหม้ และ/หรือได้รับบาดเจ็บอย่างร้ายแรง

กรุณาดูภาพประกอบในส่วนหน้าของคู่มือการใช้งาน

### ประโยชน์การใช้งานของเครื่อง

เครื่องนี้ใช้สำหรับเลื่อยไม้ พลาสติก โลหะ และวัสดุก่อสร้าง ในขณะที่วางอยู่บนชิ้นงานอย่างแนบหนาเครื่องนี้เหมาะสำหรับตัดแนวตรงและตัดโค้ง เมื่อใช้ใบเลื่อยที่ทำจากแผ่นโลหะคู่ (bimetal) ที่เหมาะสม จะสามารถตัดออกได้เรียบเสมอฟันผิวชิ้นงานและปฏิบัติตามขอแนะนำเกี่ยวกับใบเลื่อย

### ส่วนประกอบที่แสดงภาพ

ลำดับเลขของส่วนประกอบผลิตภัณฑ์อ้างอิงส่วนประกอบของเครื่องที่แสดงในหน้าภาพประกอบ

- (1) ใบเลื่อย
- (2) แผ่นฐาน
- (3) ที่จับใบเลื่อย
- (4) ฝาครอบสำหรับแปร่งถ่าน
- (5) ปุ่มล็อกของสวิตช์เปิด-ปิด
- (6) สวิตช์เปิด-ปิด
- (7) ประแจขันหกเหลี่ยม
- (8) ด้ามจับ (พื้นผิวจับหุ้มฉนวน)
- (9) ก้าน SDS สำหรับหนีบและปลดใบเลื่อย
- (10) แปร่งถ่าน

### ข้อมูลทางเทคนิค

เลื่อยอเนกประสงค์	GSA 120	
หมายเลขสินค้า		3 601 FB1 0..
การควบคุมอัตราเร็ว		●
กำลังไฟฟ้าที่กักด้านเข้า	วัตต์	1200
ความเร็วชักเดินตัวเปล่า $v_0$	รอบ/นาที	0-3000
ด้ามจับเครื่องมือ		SDS
ระยะช่วงชัก	มม.	29
ความลึกการตัด สูงสุด		
- ในไม้	มม.	220
- ในเหล็กกล้า (ไม่ผสม)	มม.	20
- เสนผาคูญกลางท่อ	มม.	220
น้ำหนักตามระเบียบการ EPTA-Procedure 01:2014	กก.	3.7
ระดับความปลอดภัย		□/II

ค่าที่ให้ไว้ใช้ได้กับแรงดันไฟฟ้าอเนกประสงค์ [U] 230 โวลต์ค่าเหล่านี้ อาจเปลี่ยนแปลงไปสำหรับแรงดันไฟฟ้าที่แตกต่างกัน และโมเดลที่ผลิตสำหรับเฉพาะประเทศ

## การติดตั้ง

- ▶ ดึงปลั๊กไฟออกจากเต้าเสียบก่อนปรับแต่งเครื่อง

### การใส่/การเปลี่ยนใบเลื่อย

- ▶ เมื่อติดตั้งหรือเปลี่ยนเครื่องมือ ต้องสวมถุงมือป้องกัน เครื่องมือมีความคมและอาจร่อนขึ้นเมื่อใช้งานเป็นเวลานาน
- ▶ เมื่อเปลี่ยนใบเลื่อย ต้องระมัดระวังอย่าให้มีเศษวัสดุค้ำค้างอยู่ที่หัวใบเลื่อย ต. ย. เช่น ไม้เลื่อยไม้หรือโลหะตรวจสอบให้แน่ใจด้วยว่าไม่มีเศษค้ำค้างอยู่ที่หัวใบเลื่อย

### การเลือกใบเลื่อย

กรุณาดูภาพรวมของใบเลื่อยที่แนะนำในตอนท้ายของคู่มือการใช้งาน โดยเฉพาะใบเลื่อยที่มีก้านสากลขนาด  $\frac{1}{2}$ " เท่านั้น ใบเลื่อยไม้ควรยาวเกินกว่าที่จำเป็นสำหรับการตัดชิ้นงานที่ต้องการ

ใบเลื่อยต้องมีความหนา 0.8–1.8 มม.

ใช้ใบเลื่อยบางเมื่อตัดโค้งแคบ

### การใส่ใบเลื่อย (ดูภาพประกอบ A)

กดก้าน SDS (9) ไปข้างหน้าและนำใบเลื่อย (1) ไปด้านหลังแผ่นหนีบ ใส่เข้าไปที่จับใบเลื่อย (3) ปลอยนิ้วจากก้าน SDS (9)

- ▶ ดึงใบเลื่อยเพื่อตรวจสอบว่าใบเลื่อยเข้าตำแหน่งอย่างแนบหนาแล้วหรือไม ใบเลื่อยที่ใส่ไว้หลวมๆ อาจหล่นออกมาและทำให้บาดเจ็บได้

สำหรับงานบางประเภท ท่านยังสามารถหมุนใบเลื่อย (1) ไป 180° (พื้นหันขึ้นด้านบน) และใส่ใบเลื่อยกลับเข้าไปอีกครั้ง

### การถอดใบเลื่อย

- ▶ ปลอยใบเลื่อยให้เย็นลงก่อนถอดออก

อันตรายจากการบาดเจ็บเมื่อสัมผัสใบเลื่อยที่ร้อน กดก้าน SDS (9) ไปข้างหน้าและดึงใบเลื่อย (1) ออกมา ปลอยนิ้วจากก้าน SDS (9)

### การดูแล/ขี้อายุ

ฝุ่นที่ได้จากวัสดุ เช่น เคลือบผิวที่มีสารตะกั่ว ไม้ยางประเภทเรซาดู และโลหะ อาจเป็นอันตรายต่อสุขภาพ การสัมผัสหรือการหายใจเอาฝุ่นเข้าไปอาจทำให้เกิดปฏิกิริยาแพ้ฝุ่น และ/หรือนำมาซึ่งโรคติดเชื้อระบบหายใจแก่ผู้ใช้เครื่องหรือผู้ที่ยืนอยู่ใกล้เคียง

ฝุ่นบางประเภท เช่น ฝุ่นไม้โอ๊ก หรือไม้บีช นับเป็นสารที่ทำให้เกิดมะเร็ง โดยเฉพาะอย่างยิ่งเมื่อผสมกับสารเติมแต่งเพื่อบำบัดไม้ (โครโมเตต ผลิตภัณฑ์รักษาเนื้อไม้) สำหรับวัสดุที่มีแอสเบสตอสตองใหญ่เชี่ยวชาญทำงานเท่านั้น

- จัดสถานที่ทำงานให้มีการระบายอากาศที่ดี
- ขอแนะนำให้สวมหน้ากากป้องกันการติดเชื้อที่มีระดับ-ใส่กรอง P2

ปฏิบัติตามกฎข้อบังคับสำคัญอื่นๆ ที่เกี่ยวกับวัสดุชิ้นงานที่บังคับใช้ในประเทศของท่าน

- ▶ ป้องกันการสะสมของฝุ่นในสถานที่ทำงาน ฝุ่นสามารถถูกใหม่อย่างง่าย

## การปฏิบัติงาน

### การเริ่มต้นปฏิบัติงาน

- ▶ ให้สังเกตแรงดันไฟฟ้า! แรงดันไฟฟ้าจากแหล่งจ่ายไฟฟ้าต้องมีค่าตรงกับค่าแรงดันไฟฟ้าที่ระบุไว้บนแผ่นป้ายติดเครื่อง เครื่องมือไฟฟ้าที่มีเครื่องหมาย 230 โวลท์ สามารถใช้งานกับ 220 โวลท์ ได้ด้วย

### การเปิด-ปิดเครื่อง

เปิดสวิตช์เครื่องมือไฟฟ้าโดยกดสวิตช์เปิด-ปิด (6)

ล็อคสวิตช์เปิด-ปิด (6) โดยกดสวิตช์ค้างไว้และกดปุ่มล็อค (5) เพิ่ม

ปิดสวิตช์เครื่องมือไฟฟ้าโดยปล่อยนิ้วจากสวิตช์เปิด-ปิด (6) หากสวิตช์เปิด-ปิด (6) ถูกล็อคไว้ โทคดสวิตช์ก่อน แล้วจึงปล่อยนิ้ว

### การควบคุมอัตราเร็วขยับ

ท่านสามารถควบคุมความเร็วขยับของเครื่องมือไฟฟ้าที่เปิดสวิตช์ไว้ได้อย่างต่อเนื่อง โดยเพิ่มหรือลดแรงกดบนสวิตช์เปิด-ปิด (6)

เมื่อกดบนสวิตช์เปิด-ปิด (6) มากๆ จะได้ความเร็วขยับที่ต่ำ ภาคดแรงขึ้น ความเร็วขยับก็จะเพิ่มขึ้นด้วย เกณฑ์จังหวะขยับที่ต่อจะใช้ขึ้นอยู่กับประเภทวัสดุชิ้นงานและเงื่อนไขการทำงาน การทดลองภาคปฏิบัติจะช่วยให้ได้เกณฑ์จังหวะที่ดีที่สุด

ขอแนะนำให้ลดอัตราขยับขงขณะใบเลื่อยขบเข้าในวัสดุชิ้นงาน และเมื่อเลื่อยฟลอสติกและอะลูมิเนียม

เมื่อทำงานที่อัตราขยับต่ำเป็นเวลานาน เครื่องอาจร้อนขึ้นมาก ให้ถอดใบเลื่อยออก และทำให้เครื่องมือไฟฟ้าเย็นลง โดยปล่อยให้เครื่องเดินด้วยความเร็วขยับสูงสุดนานประมาณ 3 นาที

### ข้อแนะนำในการทำงาน

- ▶ ดึงปลั๊กไฟออกจากเต้าเสียบก่อนปรับแต่งเครื่อง
- ▶ หากใบเลื่อยติดขัด ให้ปิดสวิตช์เครื่องทันที

### คำแนะนำ

- ▶ เมื่อเลื่อยวัสดุก่อสร้างน้ำหนักเบา ต้องปฏิบัติตามข้อกำหนดทางกฎหมายและข้อแนะนำของบริษัผลิตวัสดุก่อสร้าง

ก่อนเลื่อย ให้ตรวจสอบไม้ พาร์ติเคิลบอร์ด วัสดุก่อสร้าง และอื่นๆ เพื่อหาวัตถุแปลกปลอม เช่น ตะปู สกรู หรือวัตถุคล้ายคลึงอื่นๆ และใช้ใบเลื่อยที่ถูกตอง

เปิดสวิตช์เครื่องและเคลื่อนเครื่องเข้าหาชิ้นงาน วางแผ่นฐาน (2) ทาบลงบนผิวหน้าชิ้นงาน และเลื่อยวัสดุออกโดยใช้แรงกดสม่ำเสมอและก้าวร่อนที่สม่ำเสมอ เมื่อกระบวนการทำงานสิ้นสุด ให้ปิดสวิตช์เครื่อง

หากใบเลื่อยติดขัด ให้ปิดสวิตช์เครื่องทันที ถ่างร่องตัดเล็กน้อยด้วยเครื่องมือที่เหมาะสม และดึงเครื่องออก

### แผ่นฐานปรับหมุนได้ (รูปภาพประกอบ B)

เนื่องจากแผ่นฐาน (2) เคลื่อนไหวไปมาได้ จึงสามารถปรับให้เข้ากับตำแหน่งมุมที่ต้องการของพื้นผิวได้

### การจ้วงตัด (รูปภาพประกอบ D-E)

- ▶ การจ้วงตัดจะทำได้เฉพาะเมื่อตัดวัสดุเนื้อไม้ เช่น ไม้ แผ่นยิปซัม หรือวัสดุคล้ายคลึงเท่านั้น! อย่าเลื่อยวัสดุที่เป็นโลหะด้วยกระบวนการจ้วงตัด!

สำหรับการจ้วงตัด ให้ใช้เฉพาะใบเลื่อยสั้นเท่านั้น

วางเครื่องโดยให้ขอบแผ่นฐาน (2) อยู่บนชิ้นงาน แต่อย่าให้ใบเลื่อย (1) สัมผัสกับชิ้นงาน และเปิดสวิตช์เครื่อง สำหรับเครื่องมือไฟฟ้าที่มีการควบคุมความเร็วขยับ ให้ตั้งความเร็วขยับที่สูงสุด จับเครื่องมือไฟฟ้าเข้าหาชิ้นงานอย่างมั่นคง และจ้วงใบเลื่อยเข้าในชิ้นงานอย่างช้าๆ ทันทีที่แผ่นฐาน (2) วางลงบนพื้นผิวของชิ้นงานทั้งหมด ให้เลื่อยต่อไปตามรอยตัดที่ต้องการ

สำหรับงานบางประเภท ท่านยังสามารถใส่ใบเลื่อย (1) โดยหมุนกลับด้านไป 180° และเคลื่อนนำเลื่อยออกประสงคในลักษณะกลับทางตามไปด้วย

### การตัดเรียบเสมอกัน (รูปภาพประกอบ C)

เมื่อใช้ใบเลื่อยที่ทำจากแผ่นโลหะคู่ (bimetal) ที่ยืดหยุ่น ท่านสามารถเลื่อยชิ้นส่วนก่อสร้างที่ยื่นออกมา เช่น ท่อน้ำ ได้เรียบเสมอกับผาผนัง

- ▶ ตรวจสอบให้แน่ใจว่าใบเลื่อยมีขนาดยาวกว่าเส้นผ่าศูนย์กลางของชิ้นงานที่จะเลื่อยเสมออันตรัยจากการตีกลับ

วางใบเลื่อยทาบกับผาผนังโดยตรง และตัดใบเลื่อยให้โค้งเล็กน้อยโดยกดลงตามขอบบนเครื่องมือไฟฟ้าจนแผ่นฐานติดกับผาผนัง เปิดสวิตช์เครื่องมือไฟฟ้า และเลื่อยผ่านชิ้นงานโดยกดลงตามขอบอย่างคงที่

### สารหล่อเย็น/น้ำมันหล่อลื่น

เมื่อเลื่อยโลหะ ให้ใช้โลสมสารหล่อเย็น/น้ำมันหล่อลื่นตามรอยตัดเนื่องจากวัสดุร้อนขึ้น

## การบำรุงรักษาและการบริการ

### การบำรุงรักษาและการทำความสะอาด

- ▶ ดึงปลั๊กไฟออกจากเต้าเสียบก่อนปรับแต่งเครื่อง
- ▶ เพื่อให้ทำงานได้อย่างถูกต้องและปลอดภัย ต้องรักษาเครื่องและช่องระบายอากาศให้สะอาดอยู่เสมอ

ควรทำความสะอาดที่จับใบเลื่อยโดยเป่าด้วยอากาศอัดหรือใช้แปรงนุ่มปัด สำหรับการทำความสะอาด ให้ถอดใบเลื่อยออกจากเครื่องมือไฟฟ้าบำรุงรักษาที่จับใบเลื่อยให้ทำงานได้ดีโดยใช้สารหล่อลื่นที่เหมาะสม

หากเครื่องสกปรกมาก เครื่องอาจทำงานผิดปกติได้ ดังนั้นอย่าเลื่อยวัสดุที่ไผ่นมากจากทางตามกลางหรือเหนือศีรษะ เมื่อจำเป็นต้องเปลี่ยนสายไฟฟ้า ให้ส่งเครื่องให้บริษัท บอช หรือศูนย์บริการลูกค้าสำหรับเครื่องมือไฟฟ้า บอช ที่ได้รับมอบหมายทำการเปลี่ยนให้ เพื่อหลีกเลี่ยงอันตรายตามความปลอดภัย

### การเปลี่ยนแปรงถ่าน (รูปภาพประกอบ F)

ตรวจสอบความยาวของแปรงถ่านประมาณทุกๆ 2-3 เดือน และเปลี่ยนแปรงถ่านใหม่ หากจำเป็น

อย่าเปลี่ยนแปรงถ่านเพียงแห่งเดียวอย่างเด็ดขาด!

**หมายเหตุ:** ใช้เฉพาะแปรงถ่านที่ บอช จัดส่งและมีไว้สำหรับผลิตภัณฑ์ของท่านเท่านั้น

- คลายฝาครอบ (4) ออกโดยใช้ไขควงที่เหมาะสม

- เปลี่ยนแปลงถ่าน (10) ที่อยู่ภายใต้แรงกดสปริง และชั้นฝาครอบกลับเข่าที่

### การบริการหลังการขายและการให้คำปรึกษาการใช้งาน

ศูนย์บริการหลังการขายของเรายินดีตอบคำถามของท่านที่เกี่ยวกับการบำรุงรักษาและการซ่อมแซมผลิตภัณฑ์รวมทั้งเรื่องอะไหล่ ภาพแยกชิ้นและข้อมูลเกี่ยวกับอะไหล่ยังสามารถดูได้ใน: [www.bosch-pt.com](http://www.bosch-pt.com)

ทีมงานที่ปรึกษาของ บอช ยินดีให้ข้อมูลเกี่ยวกับผลิตภัณฑ์ของเราและอุปกรณ์ประกอบต่างๆ [www.powertool-portal.de](http://www.powertool-portal.de) เว็บไซต์สำหรับช่างฝีมือและช่างสมัครเล่น

เมื่อต้องการสอบถามและสั่งซื้ออะไหล่ กรุณาแจ้งหมายเลขสินค้า 10 หลักบนแผนป้ายรุ่นของผลิตภัณฑ์ทุกครั้ง

#### ไทย

ไทย บริษัท โรเบิร์ต บอช จำกัด  
 เอฟวายโอ เซ็นเตอร์ อาคาร 1 ชั้น 5  
 เลขที่ 2525 ถนนพระราม 4  
 แขวงคลองเตย เขตคลองเตย  
 กรุงเทพฯ 10110  
 โทร: +66 2012 8888  
 แฟกซ์: +66 2064 5800  
[www.bosch.co.th](http://www.bosch.co.th)

ศูนย์บริการซ่อมและฝึกอบรม บอช  
 อาคาร ลาชาลทาวเวอร์ ชั้น G ห้องเลขที่ 2  
 บานเลขที่ 10/11 หมู่ 16  
 ถนนศรีนครินทร์  
 ตำบลบางแก้ว อำเภอบางพลี  
 จังหวัดสมุทรปราการ 10540  
 ประเทศไทย  
 โทรศัพท์ 02 7587555  
 โทรสาร 02 7587525

#### การกำจัดขยะ

เครื่องมือไฟฟ้า อุปกรณ์ประกอบ และที่บด ต้องนำไปแยกประเภทวัสดุเพื่อการรีไซเคิลที่เป็นมิตรต่อสิ่งแวดล้อม



อย่าทิ้งเครื่องมือไฟฟ้าลงในขยะครัวเรือน!

### Simpanlah semua peringatan dan petunjuk untuk penggunaan di masa mendatang.

Istilah "perkakas listrik" dalam peringatan mengacu pada perkakas listrik yang dioperasikan dengan listrik (menggunakan kabel) atau perkakas listrik yang dioperasikan dengan baterai (tanpa kabel).

#### Keamanan tempat kerja

- ▶ **Jaga kebersihan dan pencahayaan area kerja.** Area yang berantakan atau gelap dapat memicu kecelakaan.
- ▶ **Jangan mengoperasikan perkakas listrik di lingkungan yang dapat memicu ledakan, seperti adanya cairan, gas, atau debu yang mudah terbakar.** Perkakas listrik dapat memancarkan bunga api yang kemudian mengakibatkan debu atau uap terbakar.
- ▶ **Jauhkan dari jangkauan anak-anak dan pengamat saat mengoperasikan perkakas listrik.** Gangguan dapat menyebabkan hilangnya kendali.

#### Keamanan listrik

- ▶ **Steker perkakas listrik harus sesuai dengan stopkontak. Jangan pernah memodifikasi steker. Jangan menggunakan steker adaptor bersama dengan perkakas listrik yang terhubung dengan sistem grounding.** Steker yang tidak dimodifikasi dan stopkontak yang cocok akan mengurangi risiko sengatan listrik.
- ▶ **Hindari kontak badan dengan permukaan yang terhubung dengan sistem grounding, seperti pipa, radiator, kompor, dan lemari es.** Terdapat peningkatan risiko terjadinya sengatan listrik jika badan Anda terhubung dengan sistem grounding.
- ▶ **Perkakas listrik tidak boleh terpapar hujan atau basah.** Air yang masuk ke dalam perkakas listrik menambah risiko terjadinya sengatan listrik.
- ▶ **Jangan menyalahgunakan kabel. Jangan gunakan kabel untuk membawa, menarik, atau melepas steker perkakas listrik. Jauhkan kabel dari panas, minyak, tepi yang tajam, atau komponen yang bergerak.** Kabel listrik yang rusak atau tersangkut menambah risiko terjadinya sengatan listrik.
- ▶ **Saat mengoperasikan perkakas listrik di luar ruangan, gunakan kabel ekstensi yang sesuai untuk penggunaan di luar ruangan.** Penggunaan kabel yang cocok untuk pemakaian di luar ruangan mengurangi risiko terjadinya sengatan listrik.
- ▶ **Jika perkakas listrik memang harus dioperasikan di tempat yang lembap, gunakan pemutus arus listrik residu (RCD).** Penggunaan RCD akan mengurangi risiko terjadinya sengatan listrik.

#### Keselamatan personel

- ▶ **Tetap waspada, perhatikan aktivitas yang sedang dikerjakan dan gunakan akal sehat saat mengoperasikan perkakas listrik. Jangan gunakan perkakas listrik saat mengalami kelelahan atau di bawah pengaruh narkoba, alkohol, atau obat-obatan.** Jika perkakas listrik dioperasikan dengan daya

## Bahasa Indonesia

### Petunjuk Keselamatan

#### Petunjuk keselamatan umum untuk perkakas listrik

**⚠ PERINGATAN** Baca semua peringatan, petunjuk, ilustrasi, dan spesifikasi

keselamatan yang diberikan bersama perkakas listrik ini. Kesalahan dalam menjalankan petunjuk di bawah ini dapat mengakibatkan sengatan listrik, kebakaran, dan/atau cedera serius.



konsentrasi yang rendah, hal tersebut dapat menyebabkan cedera serius.

- ▶ **Gunakan peralatan pelindung diri. Selalu kenakan pelindung mata.** Penggunaan perlengkapan pelindung seperti penutup telinga, helm, sepatu anti licin, dan masker debu akan mengurangi cedera.
- ▶ **Hindari start yang tidak disengaja. Pastikan switch berada di posisi off sebelum perkakas listrik dihubungkan ke sumber daya listrik dan/atau baterai diangkat, atau dibawa.** Membawa perkakas listrik dengan jari menempel pada tombol atau perkakas listrik dalam keadaan hidup dapat memicu kecelakaan.
- ▶ **Singkirkan kunci penyetel atau kunci pas sebelum menghidupkan perkakas listrik.** Perkakas atau kunci pas yang masih menempel pada komponen perkakas listrik yang berputar dapat menyebabkan cedera.
- ▶ **Jangan melampaui batas. Berdirilah secara mantap dan selalu jaga keseimbangan.** Hal ini akan memberikan kontrol yang lebih baik terhadap perkakas listrik pada situasi yang tak terduga.
- ▶ **Kenakan pakaian dengan wajar. Jangan mengenakan perhiasan atau pakaian yang longgar. Jauhkan rambut dan pakaian dari komponen yang bergerak.** Pakaian yang longgar, rambut panjang, atau perhiasan dapat tersangkut dalam komponen yang bergerak.
- ▶ **Jika disediakan perangkat untuk sambungan pengisian debu dan alat pengumpulan, pastikan perangkat tersebut terhubung dan digunakan dengan benar.** Penggunaan alat pengumpulan dapat mengurangi bahaya yang disebabkan oleh debu.
- ▶ **Jangan berpuas diri dan mengabaikan prinsip keselamatan karena terbiasa mengoperasikan perkakas.** Tindakan yang kurang hati-hati dapat mengakibatkan cedera serius dalam waktu sepersekian detik.

#### Penggunaan dan pemeliharaan perkakas listrik

- ▶ **Jangan memaksakan perkakas listrik. Gunakan perkakas listrik yang sesuai untuk pekerjaan yang dilakukan.** Perkakas listrik yang sesuai akan bekerja dengan lebih baik dan aman sesuai tujuan penggunaan.
- ▶ **Jangan gunakan perkakas listrik dengan switch yang tidak dapat dioperasikan.** Perkakas listrik yang switchnya yang tidak berfungsi dapat menimbulkan bahaya dan harus diperbaiki.
- ▶ **Lepaskan steker dari sumber listrik dan/atau lepas baterai, jika dapat dilepaskan dari perkakas listrik sebelum menyetel, mengganti aksesoris, atau menyimpan perkakas listrik.** Tindakan preventif akan mengurangi risiko menghidupkan perkakas listrik secara tidak disengaja.
- ▶ **Jauhkan dan simpan perkakas listrik dari jangkauan anak-anak dan jangan biarkan orang-orang yang tidak mengetahui cara menggunakan perkakas listrik, mengoperasikan perkakas listrik.** Perkakas listrik dapat membahayakan jika digunakan oleh orang-orang yang tidak terlatih.

- ▶ **Lakukan pemeliharaan perkakas listrik dan aksesoris. Periksa komponen yang bergerak apabila tidak lurus atau terikat, kerusakan komponen, dan kondisi lain yang dapat mengganggu pengoperasian perkakas listrik. Apabila rusak, perbaiki perkakas listrik sebelum digunakan.** Kecelakaan sering terjadi karena perkakas listrik tidak dirawat dengan baik.
- ▶ **Jaga ketajaman dan kebersihan alat.** Alat pemotong dengan pisau pemotong yang tajam dan dirawat dengan baik tidak akan mudah tersangkut dan lebih mudah dikendalikan.
- ▶ **Gunakan perkakas listrik, aksesoris, dan komponen perkakas dll sesuai dengan petunjuk ini, dengan mempertimbangkan kondisi kerja dan pekerjaan yang akan dilakukan.** Penggunaan perkakas listrik untuk tujuan berbeda dari fungsinya dapat menyebabkan situasi yang berbahaya.
- ▶ **Jaga gagang dan permukaan genggam agar tetap kering, bersih, dan bebas dari minyak dan lemak.** Gagang dan permukaan genggam yang licin tidak menjamin keamanan kerja dan kontrol alat yang baik pada situasi yang tidak terduga.

#### Servis

- ▶ **Minta teknisi berkualifikasi untuk menyervis perkakas listrik dengan hanya menggunakan suku cadang yang identik.** Dengan demikian, hal ini akan memastikan keamanan perkakas listrik.

#### Petunjuk Keselamatan untuk Sabre Saw

- ▶ **Pegang perkakas listrik pada permukaan gagang isolator saat digunakan karena aksesoris pemotong dapat saja bersentuhan dengan kabel yang tidak terlihat atau kabelnya sendiri.** Aksesoris pemotong yang bersentuhan dengan kabel yang dialiri listrik dapat menyebabkan bagian logam perkakas listrik yang terbuka dialiri listrik sehingga berisiko mengakibatkan sengatan listrik pada operator.
- ▶ **Gunakan penjepit atau cara lain yang praktis untuk mengamankan dan menopang benda kerja pada permukaan yang stabil.** Benda kerja dapat goyah atau kehilangan kendali jika dipegang dengan tangan atau ditahan dengan tubuh Anda.
- ▶ **Jauhkan tangan Anda dari area penggergajian. Jangan menjangkau ke bawah benda kerja.** Bersentuhan dengan mata gergaji dapat mengakibatkan cedera.
- ▶ **Pegang erat perkakas listrik dengan kedua tangan selama mengoperasikannya dan pastikan Anda berdiri di posisi aman.** Gunakan perkakas listrik dengan kedua tangan secara hati-hati.
- ▶ **Hidupkan terlebih dahulu perkakas listrik, kemudian perkakas listrik didekatkan pada benda kerja.** Jika tidak, terdapat bahaya sentakan jika alat kerja tersangkut dalam benda yang dikerjakan.

- ▶ **Pastikan pelat kaki selalu berada pada benda kerja selama penggergajian.** Mata gergaji dapat tersangkut dan mengakibatkan hilang kontrol atas perkakas listrik.
- ▶ **Matikan perkakas listrik setelah pekerjaan menggergaji selesai dan tunggu hingga mata gergaji berhenti bergerak, kemudian keluarkan mata gergaji dari jalur pemotongan.** Dengan demikian, sentakan dapat dihindari dan perkakas listrik dapat diletakkan dengan aman.
- ▶ **Sebelum meletakkan perkakas listrik, tunggulah hingga perkakas berhenti berputar.** Alat kerja dapat tersangkut dan menyebabkan perkakas listrik tidak dapat dikendalikan.
- ▶ **Gunakanlah hanya mata gergaji yang tidak rusak dan mulus.** Mata gergaji yang melengkung atau tidak tajam dapat patah, membuat potongan tidak bagus, atau mengakibatkan sentakan.
- ▶ **Setelah perkakas listrik dimatikan, jangan melakukan pengereman dengan cara menekan mata gergaji pada sisinya.** Hal tersebut dapat mengakibatkan mata gergaji menjadi rusak, patah, atau mengakibatkan sentakan.
- ▶ **Kencangkan material dengan benar. Jangan menopang benda kerja dengan tangan atau kaki. Jangan menyentuh benda-benda atau tanah dengan gergaji yang sedang beroperasi.** Terdapat risiko sentakan.
- ▶ **Gunakanlah alat detektor logam yang cocok untuk mencari kabel dan pipa yang tidak terlihat atau hubungi perusahaan pengadaan setempat.** Sentuhan dengan kabel-kabel listrik dapat mengakibatkan api dan kontak listrik. Pipa gas yang dirusak dapat mengakibatkan ledakan. Pipa air yang dirusak mengakibatkan kerusakan barang-barang atau dapat mengakibatkan kontak listrik.

## Spesifikasi produk dan performa



**Bacalah semua petunjuk keselamatan dan petunjuk penggunaan.** Kesalahan dalam menjalankan petunjuk keselamatan dan petunjuk penggunaan dapat mengakibatkan kontak listrik, kebakaran, dan/atau luka-luka yang berat.

Perhatikan ilustrasi yang terdapat pada sisi sampul panduan pengoperasian.

### Tujuan penggunaan

Perkakas listrik ini cocok untuk menggergaji kayu, bahan sintetis, logam dan material bangunan. Perkakas listrik ini cocok untuk pemotongan lurus dan berliku-liku. Pemotongan sejajar dapat dilakukan saat menggunakan mata gergaji bimetal yang sesuai. Perhatikanlah petunjuk-petunjuk tentang mata gergaji.

## Ilustrasi komponen

Nomor-nomor dari bagian-bagian perkakas pada gambar sesuai dengan gambar perkakas listrik pada halaman bergambar.

- (1) Mata gergaji
- (2) Pelat dasar
- (3) Dudukan mata gergaji
- (4) Kap pelindung untuk carbon brush
- (5) Pengunci tombol on/off
- (6) Tombol on/off
- (7) Kunci L
- (8) Gagang (genggaman isolator)
- (9) Tuas SDS untuk mengencangkan dan mengendurkan bilah gergaji
- (10) Sikat karbon

## Data teknis

Reciprocating saw		GSA 120
Nomor seri		<b>3 601 FB1 0..</b>
Kontrol kecepatan		●
Input daya nominal	W	1200
Kecepatan orbit $n_0$	$\text{min}^{-1}$	0-3000
Dudukan alat		SDS
Langkah	mm	29
Kedalaman pemotongan maks.		
- pada kayu	mm	220
- pada besi (tanpa aloy)	mm	20
- diameter pipa	mm	220
Berat sesuai dengan EPTA-Procedure 01:2014	kg	3,7
Klasifikasi keamanan		□/II

Data-data berlaku untuk tegangan nominal [U] 230 V. Pada tegangan yang lebih rendah dan pada model khusus mancanegara data-data ini bisa berlainan.

## Cara memasang

- ▶ **Sebelum mulai dengan pekerjaan pada perkakas listrik, tariklah steker dari stopkontak.**

### Memasang/mengganti mata gergaji

- ▶ **Pakailah sarung tangan pelindung saat memasang atau mengganti alat sisipan.** Alat sisipan sangat tajam dan dapat memanas jika digunakan dalam waktu yang lama.
- ▶ **Pada waktu mengganti mata gergaji, perhatikanlah supaya pegangan mata gergaji tidak tercemar karena sisa-sisa kayu atau logam. Perhatikan agar tidak ada pisau yang rusak berada pada dudukan mata gergaji.**

### Memilih mata gergaji

Temukan ikhtisar mengenai mata gergaji yang disarankan di akhir petunjuk ini. Pasang hanya mata gergaji dengan 1/2" batang universal. Mata gergaji sebaiknya tidak lebih panjang daripada yang diperlukan untuk pemotongan yang hendak dikerjakan.

Ketebalan batang mata gergaji harus 0,8–1,8 mm.

Untuk menggergaji lekukan, gunakanlah pisau gergaji yang tidak lebar.

### Memasang mata gergaji (lihat gambar A)

Tekan tuas SDS (9) ke depan lalu masukkan mata gergaji (1) ke belakang pelat penjepit padaudukan mata gergaji (3). Lepaskan tuas SDS (9).

► **Periksa apakah mata gergaji sudah terpasang kencang dengan cara ditarik.** Mata gergaji yang tidak kencang dapat terlepas dan mencederai Anda.

Mata gergaji juga dapat diputar (1) sebesar 180° (gigi menghadap ke atas) dan dapat disetel kembali untuk pengoperasian tertentu.

### Melepaskan mata gergaji

► **Biarkan mata gergaji menjadi dingin sebelum dilepaskan.** Menyentuh mata gergaji yang panas dapat menyebabkan cedera.

Tekan tuas SDS (9) ke depan dan tarik mata gergaji (1). Lepaskan tuas SDS (9).

### Pengisapan debu/serbuk

Debu dari bahan-bahan seperti cat yang mengandung timbel (timah hitam), beberapa jenis kayu, bahan mineral dan logam dapat berbahaya bagi kesehatan. Menyentuh atau menghirup debu-debu ini dapat mengakibatkan reaksi alergi dan/atau penyakit saluran pernapasan pada pengguna atau orang yang berada di dekatnya.

Beberapa debu tertentu seperti debu kayu pohon quercus atau pohon fagus silvatica dianggap dapat mengakibatkan penyakit kanker, terutama dalam campuran dengan bahan-bahan tambahan untuk pengolahan kayu (kromat, obat pengawet kayu). Bahan-bahan yang mengandung asbestos hanya boleh dikerjakan oleh orang-orang yang ahli.

- Perhatikanlah supaya ada pertukaran udara yang baik di tempat kerja.
- Kami anjurkan Anda memakai masker anti debu dengan filter kelas P2.

Taatilah peraturan-peraturan untuk bahan-bahan yang dikerjakan yang berlaku di negara Anda.

► **Hindari debu yang banyak terkumpul di tempat kerja.** Debu dapat tersulut dengan mudah.

## Penggunaan

### Cara penggunaan

► **Perhatikan tegangan listrik! Tegangan jaringan listrik harus sesuai dengan tegangan listrik yang tercantum pada label tipe perkakas listrik. Perkakas listrik**

**dengan daya sebesar 230 V seperti yang diindikasikan pada label dapat juga dioperasikan pada daya 220 V.**

### Menghidupkan/mematikan perkakas listrik

Untuk **menghidupkan** perkakas listrik, tekan tombol on/off (6).

Untuk **mengunci** tombol on/off (6) tekan dan tahan tombol on/off dan tombol pengunci (5).

Untuk **mematikan** perkakas listrik, lepaskan tombol on/off (6). Jika tombol on/off (6) terkunci, tekan terlebih dahulu tombol tersebut, kemudian lepaskan.

### Mengendalikan jumlah langkah

Jumlah langkah perkakas listrik yang dihidupkan dapat disetel terus-menerus tergantung seberapa kuat tombol on/off (6) ditekan.

Jika tombol on/off (6) ditekan ringan, jumlah langkah menjadi rendah. Jika tekanan ditambah, jumlah langkah akan meningkat.

Jumlah langkah yang diperlukan tergantung pada material kerja dan kondisi kerja serta dapat ditentukan dengan uji coba.

Disarankan untuk mengurangi jumlah langkah saat menggunakan pisau gergaji pada benda kerja serta saat memotong bahan sintetik dan aluminium.

Jika digunakan untuk waktu yang lama dengan jumlah langkah yang rendah, perkakas listrik dapat menjadi sangat panas. Lepaskan pisau gergaji dan biarkan perkakas listrik beroperasi dengan jumlah langkah maksimal selama kira-kira 3 menit untuk didinginkan.

### Petunjuk pengoperasian

- **Sebelum mulai dengan pekerjaan pada perkakas listrik, tarikhlah steker dari stopkontak.**
- **Segera matikan perkakas listrik jika pisau gergaji terhenti.**

### Tips

► **Jika menggergaji bahan-bahan bangunan yang ringan, perhatikanlah peraturan dari pemerintah dan petunjuk dari produsen material.**

Sebelum melakukan pemotongan pada kayu, papan partikel, material bangunan dan lainnya, periksa benda kerja dari benda asing seperti paku, sekrup atau sejenisnya, serta gunakan mata gergaji yang sesuai.

Hidupkan perkakas listrik dan dekatkan pada benda yang akan dikerjakan. Pasang pelat dasar (2) pada permukaan benda yang dikerjakan dan potong material dengan tekanan sirkulasi teratur atau dengan dorongan. Setelah selesai, matikan perkakas listrik.

Jika mata gergaji terjepit, matikanlah segera perkakas listrik. Lebarlah celah penggergajian sedikit saja dengan alat yang sesuai, kemudian tarik perkakas listrik ke luar.

### Pelat dasar yang bisa bergerak (lihat gambar B)

Pelat dasar (2) akan bermanuver sesuai posisi sudut permukaan masing-masing yang diperlukan.

### Pemotongan dalam (lihat gambar D-E)

- ▶ **Hanya gunakan bahan lunak seperti kayu, gipsium atau sejenisnya yang boleh digunakan untuk proses pemotongan ke dalam! Jangan menggergaji bahan logam dengan cara pemotongan ke dalam!**

Untuk pemotongan ke dalam, hanya gunakan pisau gergaji yang pendek.

Gunakan perkakas listrik dengan tepi pelat dasar (2) pada benda kerja tanpa menyentuh mata gergaji (1) dan nyalakan perkakas listrik. Pada perkakas listrik dengan kontrol kecepatan, pilih jumlah langkah maksimal. Tekan kuat perkakas listrik pada benda kerja dan biarkan pisau gergaji masuk perlahan.

Setelah pelat dasar (2) terletak pada seluruh permukaan benda kerja, potong benda kerja sepanjang garis yang diinginkan.

Mata gergaji juga dapat digunakan dengan diputar (1) sebesar 180° dan perkakas listrik yang sesuai dapat bergerak dengan cara diputar pada pengoperasian tertentu.

#### **Menggergaji sama rata dengan permukaan (lihat gambar C)**

Dengan mata gergaji bimetal yang elastis, komponen yang menonjol seperti pipa air dapat dipotong langsung pada dinding.

- ▶ **Perhatikan bahwa mata gergaji harus lebih panjang dari diameter benda yang dikerjakan. Terdapat risiko sentakan.**

Posisikan mata gergaji langsung ke permukaan dinding dan miringkan tubuh sedikit dengan mendorong perkakas listrik ke samping hingga pelat dasar menyandar pada dinding. Hidupkan perkakas listrik dan potong benda dengan tekanan samping yang konstan.

#### **Zat pendingin/pelumas**

Saat menggergaji logam, gunakan zat pendingin/pelumas di sepanjang garis pemotongan akibat pemanasan pada material.

## **Perawatan dan servis**

### **Perawatan dan pembersihan**

- ▶ **Sebelum mulai dengan pekerjaan pada perkakas listrik, tarikhlah steker dari stopkontak.**
- ▶ **Perkakas listrik dan lubang ventilasi harus selalu dibersihkan agar perkakas dapat digunakan dengan baik dan aman.**

Lebih baik, bersihkan dudukan mata gergaji dengan tekanan udara atau dengan sikat yang lembut. Untuk melakukannya, lepaskan mata gergaji dari perkakas listrik. Gunakanlah pelumas yang cocok untuk menjaga dudukan mata gergaji agar selalu berfungsi dengan baik pada saat digunakan.

Perkakas listrik yang sangat kotor mungkin tidak berfungsi dengan baik. Oleh karena itu, jangan menggergaji material yang menghasilkan debu dari bawah atau di atas kepala.

Jika kabel listrik harus diganti, pekerjaan ini harus dilakukan oleh Bosch atau Service Center untuk perkakas listrik Bosch yang resmi, agar keselamatan kerja selalu terjamin.

### **Mengganti carbon brush (lihat gambar F)**

Periksalah panjang carbon brush kira-kira 2–3 bulan sekali, dan jika perlu, ganti kedua carbon brush.

Jangan pernah hanya mengganti satu carbon brush!

**Catatan:** Hanya gunakan carbon brush yang disediakan oleh Bosch yang cocok untuk produk Anda.

- Buka kap pelindung (4) dengan obeng yang sesuai.
- Ganti carbon brush (10) yang berada di bawah tekanan pegas dan pasang kembali kap pelindung.

### **Layanan pelanggan dan konsultasi penggunaan**

Layanan pelanggan Bosch menjawab semua pertanyaan Anda tentang reparasi dan perawatan serta tentang suku cadang produk ini. Gambaran teknis (exploded view) dan informasi mengenai suku cadang dapat ditemukan di:

**www.bosch-pt.com**

Tim konsultasi penggunaan Bosch akan membantu Anda menjawab pertanyaan seputar produk kami beserta aksesorinya.

**www.powertool-portal.de**, portal internet untuk perajin dan tukang.

Jika Anda hendak menanyakan sesuatu atau memesan suku cadang, selalu sebutkan nomor model yang terdiri atas 10 angka dan tercantum pada label tipe produk.

#### **Indonesia**

PT Robert Bosch  
Palma Tower 10th Floor  
Jalan RA Kartini II-S Kaveling 6  
Pondok Pinang, Kebayoran Lama  
Jakarta Selatan 12310  
Tel.: (021) 3005 5800  
Fax: (021) 3005 5801  
E-Mail: boschpowertools@id.bosch.com  
www.bosch-pt.co.id

### **Cara membuang**

Perkakas listrik, aksesoris, dan kemasan sebaiknya didaur ulang secara ramah lingkungan.



Jangan membuang perkakas listrik ke dalam sampah rumah tangga!

## **Tiếng Việt**

### **Hướng dẫn an toàn**

#### **Hướng dẫn an toàn chung cho dụng cụ điện**

**⚠ CẢNH BÁO** Hãy đọc toàn bộ các cảnh báo an toàn, hướng dẫn, hình ảnh và thông số kỹ thuật được cung cấp cho dụng cụ điện cầm tay này. Không tuân thủ

mọi hướng dẫn được liệt kê dưới đây có thể bị điện giật, gây cháy và/hay bị thương tật nghiêm trọng.

**Hãy giữ tất cả tài liệu về cảnh báo và hướng dẫn để tham khảo về sau.**

Thuật ngữ "dụng cụ điện cầm tay" trong phần cảnh báo là để cập đến sự sử dụng dụng cụ điện cầm tay của bạn, loại sử dụng điện nguồn (có dây cắm điện) hay vận hành bằng pin (không dây cắm điện).

**Khu vực làm việc an toàn**

- ▶ **Giữ nơi làm việc sạch và đủ ánh sáng.** Nơi làm việc bừa bộn và tối tăm dễ gây ra tai nạn.
- ▶ **Không vận hành dụng cụ điện cầm tay trong môi trường dễ gây nổ, chẳng hạn như nơi có chất lỏng dễ cháy, khí đốt hay rác.** Dụng cụ điện cầm tay tạo ra các tia lửa nên có thể làm rác bén cháy hay bốc khói.
- ▶ **Không để trẻ em hay người đến xem đứng gần khi vận hành dụng cụ điện cầm tay.** Sự phân tâm có thể gây ra sự mất điều khiển.

**An toàn về điện**

- ▶ **Phích cắm của dụng cụ điện cầm tay phải thích hợp với ổ cắm.** Không bao giờ được cải biến lại phích cắm dưới mọi hình thức. Không được sử dụng phích tiếp hợp nối tiếp đất (dây mát). Phích cắm nguyên bản và ổ cắm đúng loại sẽ làm giảm nguy cơ bị điện giật.
- ▶ **Tránh không để thân thể tiếp xúc với đất hay các vật có bề mặt tiếp đất như đường ống, lò sưởi, hàng rào và tủ lạnh.** Có nhiều nguy cơ bị điện giật hơn nếu cơ thể bạn bị tiếp hay nối đất.
- ▶ **Không được để dụng cụ điện cầm tay ngoài mưa hay ở tình trạng ẩm ướt.** Nước vào máy sẽ làm tăng nguy cơ bị điện giật.
- ▶ **Không được lạm dụng dây dẫn điện.** Không bao giờ được nắm dây dẫn để xách, kéo hay rút phích cắm dụng cụ điện cầm tay. Không để dây gần nơi có nhiệt độ cao, dầu nhớt, vật nhọn bén và bộ phận chuyển động. Làm hỏng hay cuộn rối dây dẫn làm tăng nguy cơ bị điện giật.
- ▶ **Khi sử dụng dụng cụ điện cầm tay ngoài trời, dùng dây nối thích hợp cho việc sử dụng ngoài trời.** Sử dụng dây nối thích hợp cho việc sử dụng ngoài trời làm giảm nguy cơ bị điện giật.
- ▶ **Nếu việc sử dụng dụng cụ điện cầm tay ở nơi ẩm ướt là không thể tránh được, dùng thiết bị ngắt mạch tự động (RCD) bảo vệ nguồn.** Sử dụng thiết bị ngắt mạch tự động RCD làm giảm nguy cơ bị điện giật.

**An toàn cá nhân**

- ▶ **Hãy tỉnh táo, biết rõ mình đang làm gì và hãy sử dụng ý thức khi vận hành dụng cụ điện cầm tay.** Không sử dụng dụng cụ điện cầm tay khi đang mệt mỏi hay đang bị tác động do chất gây nghiện, rượu hay được phẩm gây ra. Một thoáng mất tập trung khi đang vận hành

dụng cụ điện cầm tay có thể gây thương tích nghiêm trọng cho bản thân.

- ▶ **Sử dụng trang bị bảo hộ cá nhân.** Luôn luôn đeo kính bảo vệ mắt. Trang bị bảo hộ như khẩu trang, giày chống trượt, nón bảo hộ, hay dụng cụ bảo vệ tai khi được sử dụng đúng nơi đúng chỗ sẽ làm giảm nguy cơ thương tật cho bản thân.
- ▶ **Phòng tránh máy khởi động bất ngờ.** Bảo đảm công tắc máy ở vị trí tắt trước khi cắm vào nguồn điện và/hay lắp pin vào, khi nhắc máy lên hay khi mang xách máy. Ngáng ngón tay vào công tắc máy để xách hay kích hoạt dụng cụ điện cầm tay khi công tắc ở vị trí mở dễ dẫn đến tai nạn.
- ▶ **Lấy mọi chìa hay khóa điều chỉnh ra trước khi mở điện dụng cụ điện cầm tay.** Khóa hay chìa còn gắn dính vào bộ phận quay của dụng cụ điện cầm tay có thể gây thương tích cho bản thân.
- ▶ **Không rướn người.** Luôn luôn giữ tư thế đứng thích hợp và thăng bằng. Điều này tạo cho việc điều khiển dụng cụ điện cầm tay tốt hơn trong mọi tình huống bất ngờ.
- ▶ **Trang phục thích hợp.** Không mặc quần áo rộng lủng thụng hay mang trang sức. Giữ tóc và quần áo xa khỏi các bộ phận chuyển động. Quần áo rộng lủng thụng, đồ trang sức hay tóc dài có thể bị cuốn vào các bộ phận chuyển động.
- ▶ **Nếu có các thiết bị đi kèm để nối máy hút bụi và các phụ kiện khác, bảo đảm các thiết bị này được nối và sử dụng tốt.** Việc sử dụng các thiết bị gom hút bụi có thể làm giảm các độc hại liên quan đến bụi gây ra.
- ▶ **Không để thói quen do sử dụng thường xuyên dụng cụ khiến bạn trở nên chủ quan và bỏ qua các quy định an toàn dụng cụ.** Một hành vi bất cẩn có thể gây ra thương tích nghiêm trọng chỉ trong tích tắc.

**Sử dụng và bảo dưỡng dụng cụ điện cầm tay**

- ▶ **Không được ép máy.** Sử dụng dụng cụ điện cầm tay đúng loại theo đúng ứng dụng của bạn. Dụng cụ điện cầm tay đúng chức năng sẽ làm việc tốt và an toàn hơn theo đúng tiến độ mà máy được thiết kế.
- ▶ **Không sử dụng dụng cụ điện cầm tay nếu như công tắc không tắt và mở được.** Bất kỳ dụng cụ điện cầm tay nào mà không thể điều khiển được bằng công tắc là nguy hiểm và phải được sửa chữa.
- ▶ **Rút phích cắm ra khỏi nguồn điện và/hay pin ra khỏi dụng cụ điện cầm tay nếu có thể tháo được, trước khi tiến hành bất kỳ điều chỉnh nào, thay phụ kiện, hay cất dụng cụ điện cầm tay.** Các biện pháp ngăn ngừa như vậy làm giảm

nguy cơ dụng cụ điện cầm tay khởi động bất ngờ.

- ▶ **Cất giữ dụng cụ điện cầm tay không dùng tới nơi trẻ em không lấy được và không cho người chưa từng biết dụng cụ điện cầm tay hay các hướng dẫn này sử dụng dụng cụ điện cầm tay.** Dụng cụ điện cầm tay nguy hiểm khi ở trong tay người chưa được chỉ cách sử dụng.
- ▶ **Bảo quản dụng cụ điện cầm tay và các phụ kiện.** Kiểm tra xem các bộ phận chuyển động có bị sai lệch hay kẹt, các bộ phận bị rạn nứt và các tình trạng khác có thể ảnh hưởng đến sự vận hành của máy. Nếu bị hư hỏng, phải sửa chữa máy trước khi sử dụng. Nhiều tai nạn xảy ra do bảo quản dụng cụ điện cầm tay tồi.
- ▶ **Giữ các dụng cụ cắt bén và sạch.** Bảo quản đúng cách các dụng cụ cắt có cạnh cắt bén làm giảm khả năng bị kẹt và dễ điều khiển hơn.
- ▶ **Sử dụng dụng cụ điện cầm tay, phụ kiện, đầu cài v. v., đúng theo các chỉ dẫn này, hãy lưu ý đến điều kiện làm việc và công việc phải thực hiện.** Sự sử dụng dụng cụ điện cầm tay khác với mục đích thiết kế có thể tạo nên tình huống nguy hiểm.
- ▶ **Giữ tay cầm và bề mặt nắm luôn khô ráo, sạch sẽ và không dính dầu mỡ.** Tay cầm và bề mặt nắm trơn trượt không đem lại thao tác an toàn và kiểm soát dụng cụ trong các tình huống bất ngờ.

#### Bảo dưỡng

- ▶ **Đưa dụng cụ điện cầm tay của bạn đến thợ chuyên môn để bảo dưỡng, chỉ sử dụng phụ tùng đúng chủng loại để thay.** Điều này sẽ đảm bảo sự an toàn của máy được giữ nguyên.

#### Hướng dẫn an toàn cho các loại Cửa Lọng

- ▶ **Chỉ cắm dụng cụ điện tại các bề mặt cầm nắm có cách điện, khi thực hiện một thao tác tại vị trí mà phụ kiện cắt có thể tiếp xúc với dây điện ngầm hoặc chính dây điện của thiết bị.** Phụ kiện cắt tiếp xúc với dây có điện có thể làm cho các phần kim loại hở của dụng cụ điện cầm tay có điện và có thể gây ra điện giật cho người vận hành.
- ▶ **Sử dụng các kẹp hoặc cách thực tiễn khác để cố định và đỡ phôi gia công vào sàn thao tác cố định.** Việc cầm phôi gia công bằng tay hoặc tựa người vào phôi gia công làm cho nó dễ đổ và có thể dẫn đến mất kiểm soát.
- ▶ **Đế tay tránh xa khỏi phạm vi cắt.** Không được tiếp xúc với phần bên dưới vật gia công. Tiếp xúc với lưỡi cưa có thể dẫn đến việc bị thương tích.

- ▶ **Giữ máy thật chắc bằng cả hai tay trong khi làm việc và luôn luôn giữ tư thế đứng cho thích hợp và cân bằng.** Dùng hai tay để điều khiển máy thì an toàn hơn.
- ▶ **Chỉ cho máy gia công vật liệu khi máy đã hoạt động.** Nếu không làm vậy thì sẽ có nguy cơ bị giật ngược do dụng cụ cắt bị kẹt chặt trong vật gia công.
- ▶ **Đảm bảo rằng, đế đĩa luôn nằm trên phôi gia công trong khi cưa.** Lưỡi cưa có thể bị kẹt chặt dẫn đến việc dụng cụ điện cầm tay bị mất điều khiển.
- ▶ **Khi đã cắt xong, tắt máy và sau đó rút lưỡi cưa ra khỏi mạch cắt chỉ sau khi lưỡi cưa đã ngừng chuyển động hoàn toàn.** Thực hiện như vậy bạn có thể tránh được sự giật ngược và có thể đặt máy xuống một cách an toàn.
- ▶ **Luôn luôn đợi cho máy hoàn toàn ngừng hẳn trước khi đặt xuống.** Dụng cụ lắp vào máy có thể bị kẹt chặt dẫn đến việc dụng cụ điện cầm tay bị mất điều khiển.
- ▶ **Chỉ sử dụng lưỡi cưa còn nguyên vẹn, có tình trạng hoàn hảo.** Lưỡi cưa bị cong hay cùn có thể bị gãy, ảnh hưởng xấu đến sự cắt, và có thể gây ra sự dội ngược.
- ▶ **Không được hãm lưỡi cưa cho dừng lại bằng cách tạo lực ép lên hông lưỡi cưa sau khi tắt máy.** Lưỡi cưa có thể bị hỏng, gãy hay gây ra giật ngược.
- ▶ **Hãy kẹp chặt vật liệu.** Không đỡ phôi gia công bằng tay hoặc bằng chân. Không chạm vào đồ vật hoặc mặt đất có cửa đang chạy. Có nguy cơ dội ngược lại.
- ▶ **Dùng thiết bị dò tìm thích hợp để xác định nếu có các công trình công cộng lắp đặt ngầm trong khu vực làm việc hay liên hệ với Cty công trình công cộng địa phương để nhờ hỗ trợ.** Đụng chạm đường dẫn điện có thể gây ra hỏa hoạn và điện giật. Làm hư hại đường dẫn khí ga có thể gây nổ. Làm thủng đường dẫn nước gây hư hỏng tài sản hay có khả năng gây ra điện giật.

## Mô Tả Sản Phẩm và Đặc Tính Kỹ Thuật



**Đọc kỹ mọi cảnh báo an toàn và mọi hướng dẫn.** Không tuân thủ mọi cảnh báo và hướng dẫn được liệt kê dưới đây có thể bị điện giật, gây cháy và / hay bị thương tật nghiêm trọng.

Xin lưu ý các hình minh họa trong phần trước của hướng dẫn vận hành.

### Sử dụng đúng cách

Máy được thiết kế để cưa gỗ, nhựa mù, kim loại và vật liệu xây dựng khi còn nằm dính chắc trên vật



liệu gia công. Máy cũng thích hợp để cắt các đường thẳng và cong. Khi sử dụng lưỡi cưa lưỡn kim thích hợp, máy có thể cắt ngang bằng mặt vật gia công. Phải tuân thủ theo loại lưỡi cưa đã được khuyến nghị.

### Các bộ phận được minh họa

Sự đánh số các biểu trưng của sản phẩm là để tham khảo hình minh họa của máy trên trang hình ảnh.

- (1) Bộ phận tổng mặt cưa
- (2) Đế đĩa
- (3) Bộ phận gắn lưỡi cưa
- (4) Nắp đậy chốt than
- (5) Nút khóa tự chạy của công tắc Tắt/Mở
- (6) Công tắc Tắt/Mở
- (7) Chia vận sáu cạnh
- (8) Tay nắm (bề mặt nắm cách điện)
- (9) Cần gạt SDS để kẹp và nhả lưỡi cưa
- (10) Chốt than

### Thông số kỹ thuật

Cưa kiếm		GSA 120
Mã số máy		3 601 FB1 0..
Điều khiển tần suất nhịp chạy		●
Công suất vào danh định	W	1200
Tần suất nhịp chạy không tải <sub>0</sub>	min <sup>-1</sup>	0-3000
Phần lắp dụng cụ		SDS
Nhịp chạy	mm	29
Công suất cắt, tối đa		
– ở gỗ	mm	220
– ở thép (không hợp kim)	mm	20
– Đường kính ống	mm	220
Trọng lượng theo Qui trình EPTA-Procedure 01:2014	kg	3,7
Cấp độ bảo vệ		□/

Các giá trị đã cho có hiệu lực cho điện thế danh định [U] 230 V. Đối với điện thế thấp hơn và các loại máy dành riêng cho một số quốc gia, các giá trị này có thể thay đổi.

### Sự lắp vào

- ▶ Trước khi tiến hành bất cứ việc gì trên máy, kéo phích cắm điện nguồn ra.

### Thay/Lắp Lưỡi Cưa

- ▶ **Hãy mang găng tay bảo hộ khi lắp ráp hoặc thay dụng cụ.** Dụng cụ có cạnh sắc và có thể nóng khi sử dụng lâu.
- ▶ **Khi thay lưỡi cưa, bảo đảm rằng bộ phận gắn lưỡi cưa không bị mун cấn vật liệu bám vào, v. d. vỏ bào gỗ hay kim loại. Lưu ý không có trục bị hỏng lắp trong bộ phận gắn lưỡi cưa.**

#### Chọn Lưỡi Cưa

Bạn sẽ tìm thấy một tổng quan các lưỡi cưa khuyến nghị ở cuối hướng dẫn vận hành. Chỉ sử dụng lưỡi cưa có trục đa năng 1/2". Lưỡi cưa không nên dài hơn mức cần thiết đối với dự kiến cắt.

Độ dày trục của lưỡi cưa phải đạt 0,8–1,8 mm.

Sử dụng lưỡi cưa bán hẹp khi cưa các đường cong gắt.

#### Lắp lưỡi cưa vào (xem hình A)

Ấn cần gạt SDS (9) về phía trước và đưa lưỡi cưa (1) ra phía sau đĩa kẹp vào bộ phận lắp lưỡi cưa (3). Nhả cần gạt SDS (9).

- ▶ **Kéo lưỡi cưa để kiểm tra độ chắc chắn.** Lưỡi cưa gắn vào còn lỏng có thể rơi ra và gây thương tích.

Để thực hiện một số công việc nhất định, có thể xoay lưỡi cưa (1) 180° (răng cưa hướng lên trên) và sử dụng tiếp.

#### Tháo Lưỡi Cưa

- ▶ **Đợi lưỡi cưa nguội trước khi tháo ra.** Có nguy cơ bị phỏng khi chạm vào lưỡi cưa còn nóng.

Ấn cần gạt SDS (9) về phía trước và kéo lưỡi cưa (1) ra. Nhả cần gạt SDS (9).

#### Hút Dăm/Bụi

Mạt bụi từ các vật liệu được sơn phủ ngoài có chứa chì trên một số loại gỗ, khoáng vật và kim loại có thể gây nguy hại đến sức khỏe con người. Đụng chạm hay hít thở các bụi này có thể làm người sử dụng hay đứng gần bị dị ứng và/hoặc gây nhiễm trùng hệ hô hấp.

Một số hạt bụi cụ thể, ví dụ như bụi gỗ sồi hay đậu, được xem là chất gây ung thư, đặc biệt là có liên quan đến các chất phụ gia dùng xử lý gỗ (chất cromat, chất bảo quản gỗ). Có thể chỉ nên để thợ chuyên môn gia công các loại vật liệu có chứa amiăng.

- Tạo không khí thông thoáng nơi làm việc.
- Khuyến nghị nên mang mặt nạ phòng độc có bộ lọc cấp P2.

Tuân thủ các qui định của quốc gia bạn liên quan đến loại vật liệu gia công.

- ▶ **Tránh không để rác tích tụ tại nơi làm việc.** Rác có thể dễ dàng bắt lửa.

## Vận Hành

### Bắt Đầu Vận Hành

- ▶ **Hãy cẩn thận với nguồn điện! Điện thế nguồn phải đúng với điện thế đã ghi rõ trên nhãn máy. Dụng cụ điện được ghi 230 V cũng có thể được vận hành ở 220 V.**

#### Bật/Tắt

Để **bật** dụng cụ điện cầm tay, bạn hãy nhấn công tắc bật/tắt (6).

Để **khóa** công tắc bật/tắt (6), hãy bấm giữ công tắc và ấn thêm cơ cấu khóa (5).

Để **tắt** dụng cụ điện cầm tay hãy nhả công tắc bật/tắt (6). Khi công tắc bật/tắt bị khóa (6) hãy nhấn nó và sau đó nhả ra.

#### Kiểm Soát Tần Suất Nhịp Chạy

Bạn có thể điều tiết liên tục tốc độ nhịp chạy của dụng cụ điện đã bật, tùy vào việc bạn nhấn công tắc Tắt/Mở như thế nào (6).

Bấm nhẹ công tắc bật/tắt (6) sẽ cho tốc độ nhịp cửa chậm. Tăng lực bóp cũng là làm tăng tần suất nhịp chạy.

Tần suất nhịp chạy cần có tốt nhất tùy thuộc vào loại vật liệu và điều kiện làm việc và có thể xác định thông qua việc chạy thử thực tế.

Khuyến nghị nên làm giảm tần suất nhịp chạy khi lưỡi cửa bắt đầu ăn vào vật liệu cũng như khi cửa nhựa mù hay nhôm.

Sau một thời gian dài vận hành với tần suất nhịp chạy thấp, máy có thể bị nóng lên đáng kể. Tháo lưỡi cửa ra khỏi máy và làm cho máy nguội xuống bằng cách cho chạy với tần suất nhịp chạy tối đa trong khoảng 3 phút.

### Hướng Dẫn Sử Dụng

- ▶ **Trước khi tiến hành bất cứ việc gì trên máy, kéo phích cắm điện nguồn ra.**
- ▶ **Tắt dụng cụ điện ngay nếu lưỡi cửa bị chặn.**

#### Mách nước

- ▶ **Khi cửa các loại vật liệu xây dựng nhẹ, tuân thủ các điều luật đã được qui định cũng như các khuyến cáo của nhà cung cấp vật liệu.**

Kiểm tra phát hiện dị vật như kim, ốc vít các loại trước khi cửa trên gỗ thịt, gỗ ép, vật liệu xây dựng v.v. và sử dụng một lưỡi cửa phù hợp.

Cho máy hoạt động và đưa thẳng vào vật gia công. Đặt đế đĩa (2) lên bề mặt vật gia công và cửa vật liệu với lực ấn và lực đẩy đều tay. Sau khi hoàn tất công đoạn gia công, tắt máy.

Nếu giả như lưỡi cửa bị kẹt chặt, tắt máy ngay lập tức. Mở rộng miệng cắt vừa đủ bằng một dụng cụ thích hợp và kéo máy ra.

#### Đế đĩa xoay được (xem hình B)

Đế đĩa (2) tự điều chỉnh nhờ tính linh hoạt của vị trí góc cần thiết tương ứng của bề mặt.

#### Cắt xọc (xem hình D-E)

- ▶ **Chỉ được gia công các vật liệu mềm như gỗ, tấm vữa trong quy trình cửa chìm! Không được áp dụng qui trình cắt xọc với vật liệu là kim loại!**

Để cắt xọc, chỉ sử dụng lưỡi cửa ngắn.

Hãy đặt dụng cụ chạy điện với cạnh trước của đế đĩa (2) lên chi tiết gia công mà không để lưỡi cửa (1) chạm vào chi tiết đó rồi bật dụng cụ. Đối với dụng cụ điện có bộ phận kiểm soát tốc độ nhịp chạy, chỉnh đặt ở tốc độ nhịp chạy tối đa. Khiến dẫn dụng cụ điện thật chắc tay xuống vật gia công và để cho lưỡi cửa từ từ đâm xọc vào vật gia công.

Ngay khi đế đĩa (2) gần chạm vào dụng cụ, hãy cửa tiếp dọc theo đường cắt mong muốn.

Để thực hiện một số công việc nhất định (1), có thể sử dụng lưỡi cửa xoay 180° và đưa dụng cụ điện xoay theo tương ứng.

#### Cắt bằng mặt (xem hình C)

Với lưỡi cửa lưỡng kim đàn hồi, có thể cửa được các chi tiết xây dựng nhô ra, ví dụ như ống nước, trực tiếp trên tường.

- ▶ **Hãy đảm bảo rằng lưỡi cửa luôn dài hơn đường kính của phiê gia công cần xử lý. Có nguy cơ dội ngược lại.**

Đặt lưỡi cửa trực tiếp dựa lên trên tường và tạo lực đè ngang lên dụng cụ cho đến khi bàn chặn tựa vào tường. Cho dụng cụ điện hoạt động và cửa xuyên ngang vật gia công, giữ đều tay áp lực ngang.

#### Dung dịch làm mát/Bôi trơn

Khi cửa kim loại vật liệu gia công bị nóng lên, do đó; nên bôi dung dịch làm mát/bôi trơn dọc theo đường cắt.

## Bảo Dưỡng và Bảo Quản

### Bảo Dưỡng Và Làm Sạch

- ▶ **Trước khi tiến hành bất cứ việc gì trên máy, kéo phích cắm điện nguồn ra.**
- ▶ **Để được an toàn và máy hoạt động đúng chức năng, luôn luôn giữ máy và các khe thông gió được sạch.**

Làm sạch phần tiếp nhận lưỡi cửa bằng khí nén hoặc bằng cọ mềm. Tháo lưỡi cửa ra khỏi dụng cụ điện để thực hiện việc làm sạch này. Hãy giữ phần tiếp nhận lưỡi cửa có thể vận hành bằng cách sử dụng chất bôi trơn phù hợp.

Máy bị quá dơ có thể làm cho sự hoạt động bị trục trặc. Không cửa các vật liệu sinh nhiều bụi từ bên dưới hoặc phía trên đầu.



Nếu như cần phải thay dây dẫn điện thì công việc này phải do hãng Bosch, hay một đại lý được Bosch ủy nhiệm thực hiện để tránh gặp sự nguy hiểm do mất an toàn.

#### Thay chổi than (xem hình F)

Kiểm tra độ dài của chổi than cứ 2-3 tháng một lần, và thay thế cả hai chổi than nếu cần.

Không bao giờ chỉ thay mỗi một chổi than mà thôi!

**Lưu ý:** Chỉ sử dụng chổi than được cung cấp qua Bosch, phù hợp với sản phẩm của bạn.

- Tháo nắp (4) bằng tuốc-nơ-vít thích hợp.
- Thay chổi than hiện tại (10) dưới áp lực lò xo và bắt vít trở lại cho nắp.

#### Dịch vụ hỗ trợ khách hàng và tư vấn sử dụng

Bộ phận phục vụ hàng sau khi bán của chúng tôi trả lời các câu hỏi liên quan đến việc bảo dưỡng và sửa chữa các sản phẩm cũng như phụ tùng thay thế của bạn. Sơ đồ mô tả và thông tin về phụ tùng thay thế cũng có thể tra cứu theo dưới đây:

**www.bosch-pt.com**

Đội ngũ tư vấn sử dụng của Bosch sẽ giúp bạn giải đáp các thắc mắc về sản phẩm và phụ kiện.

**www.powertool-portal.de**, cổng thông tin điện tử cho thợ thủ công và người làm việc vật.

Trong tất cả các phản hồi và đơn đặt phụ tùng, xin vui lòng luôn luôn nhập số hàng hóa 10 chữ số theo nhãn của hàng hóa.

#### Việt Nam

CN CÔNG TY TNHH BOSCH VIỆT NAM TẠI TP.HCM

Tầng 14, Ngôi Nhà Đức, 33 Lê Duẩn  
Phường Bến Nghé, Quận 1, Thành Phố Hồ Chí Minh

Tel.: (028) 6258 3690

Fax: (028) 6258 3692 - 6258 3694

Hotline: (028) 6250 8555

Email: [tuvankhachhang-pt@vn.bosch.com](mailto:tuvankhachhang-pt@vn.bosch.com)

**www.bosch-pt.com.vn**

**www.baohanhbosch-pt.com.vn**

#### Campuchia

Công ty TNHH Robert Bosch (Campuchia)  
Đơn nguyên 8BC, GT Tower, Tầng 08,  
Đường 169, Tiệp Khắc Blvd, Sangkat Veal Vong,  
Khan 7 Makara, Phnom Penh

VAT TIN: 100 169 511

Tel.: +855 23 900 685

Tel.: +855 23 900 660

[www.bosch.com.kh](http://www.bosch.com.kh)

#### Sự thải bỏ

Máy, linh kiện và bao bì phải được phân loại để tái chế theo hướng thân thiện với môi trường.



Không được thải bỏ dụng cụ điện vào chung với rác sinh hoạt!

◀ إن لم يكن بالإمكان تجنب تشغيل العدة الكهربائية في الأجواء الرطبة، فاستخدم مفتاح للوقاية من التيار المتخلف. إن استخدام مفتاح للوقاية من التيار المتخلف يقلل خطر الصدمات الكهربائية.

#### أمان الأشخاص

- ◀ كن يقظاً وانتبه إلى ما تفعله واستخدم العدة الكهربائية بتعقل. لا تستخدم عدة كهربائية عندما تكون متعباً أو عندما تكون تحت تأثير المخدرات أو الكحول أو الأدوية. عدم الانتباه للحظة واحدة عند استخدام العدة الكهربائية قد يؤدي إلى إصابات خطيرة.
- ◀ قم لارتداء تجهيزات الحماية الشخصية. وارتد دائماً نظارات واقية. يحد ارتداء تجهيزات الحماية الشخصية، كقناع الوقاية من الغبار وأحذية الأمان الواقية من الانزلاق والخوذ أو واقية الأذنين، حسب ظروف استعمال العدة الكهربائية، من خطر الإصابة بجروح.
- ◀ تجنب التشغيل بشكل غير مقصود. تأكد من كون العدة الكهربائية مطفأة قبل توصيلها بالتيار الكهربائي و/أو بالمركم، وقبل رفعها أو حملها. إن كنت تضع إصبعك على المفتاح أثناء حمل العدة الكهربائية أو إن وصلت الجهاز بالشبكة الكهربائية بينما لامفتاح على وضع التشغيل، قد يؤدي إلى وقوع الحوادث.
- ◀ انزع أداة الضبط أو مفتاح الربط قبل تشغيل العدة الكهربائية. قد تؤدي الأداة أو المفتاح المتواجد في جزء دوار من الجهاز إلى الإصابة بجروح.
- ◀ تجنب أوضاع الجسم غير الطبيعية. قف بأمان وحافظ على توازنك دائماً. سيسمح لك ذلك بالتحكم في الجهاز بشكل أفضل في المواقف الغير متوقعة.
- ◀ قم بارتداء ثياب مناسبة. لا ترتد الثياب الفضفاضة أو الحلى. احرص على إبقاء الشعر والملابس بعيداً عن الأجزاء المتحركة. قد تتشابك الثياب الفضفاضة والحلى والشعر الطويل بالأجزاء المتحركة.
- ◀ إن جاز تركيب تجهيزات شفط وتجميع الغبار، فتأكد من أنها موصولة وبأنه يتم استخدامها بشكل سليم. قد يقلل استخدام تجهيزات لشفط الغبار من المخاطر الناتجة عن الغبار.
- ◀ لا تستخدم العدة الكهربائية بلا مبالاة وتتجاهل قواعد الأمان الخاصة بها نتيجة لتعودك على استخدام العدة الكهربائية وكثرة استخدامها. فقد يتسبب الاستخدام دون حرص في حدوث إصابة بالغة تحدث في أجزاء من الثانية.
- ◀ حسن معاملة واستخدام العدد الكهربائية
- ◀ لا تفرط بتحميل الجهاز. استخدم لتنفيذ أشغالك العدة الكهربائية المخصصة لذلك. إنك تعمل بشكل أفضل وأكثر أماناً بواسطة العدة الكهربائية الملائمة في مجال المذكور.
- ◀ لا تستخدم العدة الكهربائية إن كان مفتاح تشغيلها تالف. العدة الكهربائية التي لم يعد من الممكن التحكم بها عن طريق مفتاح التشغيل والإطفاء تعتبر خطيرة ويجب أن يتم إصلاحها.

## عربي

### إرشادات الأمان

#### الإرشادات العامة للأمان بالعدد الكهربائية

- ◀ **تحذير** اطلع على كافة تحذيرات الأمان والتعليمات والصور والمواصفات المرفقة بالعدة الكهربائية. عدم اتباع التعليمات الواردة أدناه قد يؤدي إلى حدوث صدمة كهربائية، إلى نشوب حريق و/أو الإصابة بجروح خطيرة.
- ◀ احتفظ بجميع الملاحظات التحذيرية والتعليمات للمستقبل.

يقصد بمصطلح «العدة الكهربائية» المستخدم في الملاحظات التحذيرية، العدد الكهربائية الموصولة بالشبكة الكهربائية (بواسطة كابل الشبكة الكهربائية) وأيضاً العدد الكهربائية المزودة بمركم (دون كابل الشبكة الكهربائية).

#### الأمان بمكان الشغل

- ◀ حافظ على نظافة مكان شغلك وإضاءةه بشكل جيد. الفوضى في مكان الشغل ونظافات العمل غير المضاءة قد تؤدي إلى وقوع الحوادث.
- ◀ لا تشتغل بالعدة الكهربائية في نطاق معرض لخطر الانفجار مثل الأماكن التي تتوفر فيه السوائل أو الغازات أو الأبخرة القابلة للاشتعال. العدد الكهربائية تولد شرراً قد يتطاير، فيشعل الأبخرة والأبخرة.
- ◀ حافظ على بقاء الأطفال وغيرهم من الأشخاص بعيداً عندما تستعمل العدة الكهربائية. تشتت الانتباه قد يتسبب في فقدان السيطرة على الجهاز.

#### الأمان الكهربائي

- ◀ يجب أن يتلائم قابس العدة الكهربائية مع المقبس. لا يجوز تغيير القابس بأي حال من الأحوال. لا تستعمل القوايس المهينة مع العدد الكهربائية المؤرضة (ذات طرف أرضي). تخفض القوايس التي لم يتم تغييرها والمقابس الملائمة من خطر الصدمات الكهربائية.
- ◀ تجنب ملامسة جسمك للأسطح المؤرضة كالأنياب والمبردات والمواقد أو التلجيات. يزداد خطر الصدمات الكهربائية عندما يكون جسمك مؤرض أو موصل بالأرضي.
- ◀ أبعد العدة الكهربائية عن الأمطار أو الرطوبة. يزداد خطر الصدمات الكهربائية إن تسرب الماء إلى داخل العدة الكهربائية.
- ◀ لا تسئ استعمال الكابل. لا تستخدم الكابل في حمل العدة الكهربائية أو سحبها أو سحب القابس من المقبس. احرص على إبعاد الكابل عن الحرارة والزيت والمواف المادية أو الأجزاء المتحركة. تزيد الكابلات التالفة أو المتشابكة من خطر الصدمات الكهربائية.
- ◀ عند استخدام العدة الكهربائية خارج المنزل اقتصر على استخدام كابلات التمديد الصالحة للاستعمال الخارجي. يقلل استعمال كابل تمديد مخصص للاستعمال الخارجي من خطر الصدمات الكهربائية.

- ◀ اسحب القابس من المقبس و/أو اخلع المركم، إذا كان قابلاً للخلع، قبل ضبط الجهاز وقبل استبدال الملحقات أو قبل تخزين الجهاز. تمنع هذه الإجراءات وقائية تشغيل العدة الكهربائية بشكل غير مقصود.
- ◀ احتفظ بالعدد الكهربائية التي لا يتم استخدامها بعيداً عن متناول الأطفال. لا تسمح باستخدام العدة الكهربائية لمن لا خبرة له بها أو لمن لم يقرأ تلك التعليمات. العدد الكهربائية خطيرة إن تم استخدامها من قبل أشخاص دون خبرة.
- ◀ اعتن بالعدد الكهربائية والملحقات بشكل جيد. تأكد أن أجزاء الجهاز المتحركة مركبة بشكل سليم وغير مستعصبة عن الحركة، وتفحص ما إن كانت هناك أجزاء مكسورة أو في حالة تؤثر على سلامة أداء العدة الكهربائية. ينبغي إصلاح هذه الأجزاء التالفة قبل إعادة تشغيل الجهاز. الكثير من الحوادث مصدرها العدد الكهربائية التي تم صيانتها بشكل رديء.
- ◀ احرص على إبقاء عدد القطع نظيفة وحادة. إن عدد القطع ذات حواف القطع الحادة التي تم صيانتها بعناية تتكلم بشكل أقل ويمكن توجيهها بشكل أيسر.
- ◀ استخدم العدد الكهربائية والتوابع وربش الشغل إلخ. وفقاً لهذه التعليمات. تراعى أثناء ذلك ظروف الشغل والعمل المراد تنفيذه.
- ◀ استخدام العدد الكهربائية لغير الأشغال المخصصة لأجلها قد يؤدي إلى حدوث الحلات الفظيرة.
- ◀ احرص على إبقاء المقابض وأسطح المسك جافة ونظيفة وخالية من الزيوت والشحوم. المقابض وأسطح المسك الزلقة لا تتيح التشغيل والتحكم الآمن في العدة في المواقف غير المتوقعة.

#### الخدمة

- ◀ احرص على إصلاح عدتك الكهربائية فقط بواسطة العمال المتخصصين وباستعمال قطع الغيار الأصلية فقط. يضمن ذلك المحافظة على أمان الجهاز.

#### تعليمات الأمان للمناشير السيفية

- ◀ أمسك العدة الكهربائية من أسطح المسك المعزولة عند القيام بأعمال قد يترتب عليها ملامسة ملحق القطع لأسلاك كهربائية غير ظاهرة أو للسلك الخاص بالعدة نفسها. ملامسة ملحق القطع لسلك «مكهرب» قد يتسبب في مرور التيار في الأجزاء المعدنية من العدة وجعلها «مكهربة» مما قد يصيب المشغل بصدمة كهربائية.
  - ◀ استخدم قامطات أو طريقة عملية أخرى لتأمين قطعة الشغل وتدعيمها على منصة ثابتة. مسك قطعة الشغل بيدك أو سندها على جسمك يجعلها غير ثابتة وقد يؤدي إلى فقدان السيطرة.
  - ◀ أبعد يديك عن مجال النشر. لا تقبض بيدك إلى ما تحت قطعة الشغل. إن ملامسة نصل المنشار يؤدي إلى تشكل مخاطر الإصابة بجروح.
  - ◀ أمسك العدة الكهربائية جيداً بكلتا اليدين عند العمل، واحرص على أن تكون في وضعية ثابتة. يتم توجيه العدة الكهربائية بأمان بواسطة اليدين اللاتنتين.
- وصف المنتج والأداء**
- اقرأ جميع إرشادات الأمان والتعليمات. ارتكاب الأخطاء عند تطبيق إرشادات الأمان والتعليمات، قد يؤدي إلى حدوث صدمات كهربائية أو إلى نشوب الحرائق و/أو الإصابة بجروح خطيرة.
- يرجى الرجوع إلى الصور الموجودة في الجزء الأول من دليل التشغيل.
- الاستعمال المخصص**
- العدة الكهربائية مخصصة لنشر الخشب واللداثن والمعادن ومواد البناء بالتركيز الثابت. وتصلح لإجراء القطوع المستقيمة والمنحنية. ويجوز القطع بتساطح مع سطح المادة عند استخدام شفرات المنشار الثنائية المعدن الملائمة. ويجب مراعاة توصيات شفرات المنشار.
- الأجزاء المصورة**
- يشير ترقيم الأجزاء المصورة إلى رسوم العدة الكهربائية الموجودة في صفحة الرسوم التخطيطية.



استخدم نصل منشار رقيق من أجل نشر المنعطفات الضيقة.

#### تركيب شفرة المنشار (انظر الصورة A)

اضغط ذراع SDS (9) الى الأمام وحرك شفرة المنشار (1) خلف صفيحة القمط إلى داخل حاضن شفرة المنشار (3). اترك ذراع SDS (9).

◀ **تحقق إنكام الثبات من خلال سحب شفرة المنشار.** إن شفرة المنشار غير الثابتة قد تسقط لتصيبك بجروح.

لتنفيذ بعض الأشغال المعينة يمكن قلب شفرة المنشار (1) بزاوية 180° (تشير السنون نمو الأعلى) ثم إعادة تركيبها مجدداً.

#### خلع شفرة المنشار

◀ **اترك شفرة المنشار إلى أن تبرد قبل أن تفكها.** إن ملامسة شفرة المنشار الساخنة قد تسبب الإصابات.

اضغط الذراع SDS (9) إلى الأمام واخلع شفرة المنشار (1). اترك ذراع SDS (9).

#### شفط الغبار/النشارة

إن أغبرة بعض المواد كالطلاء الذي يحتوي على الرصاص، وبعض أنواع الخشب والفلزات والمعادن، قد تكون مضرّة بالصحة. إن ملامسة أو استنشاق الأغبرة قد يؤدي إلى ردود فعل زائدة الحساسية و/أو إلى أمراض المجاري التنفسية لدى المستخدم أو لدى الأشخاص المتواجدين على مقربة من المكان. تعتبر بعض الأغبرة المعينة، كأغبرة البلوط والزان من مسببات السرطان، وبالأخص عند اتصالها بالمواد الإضافية الخاصة بمعالجة الخشب (ملح حامض الكروميك، المواد الحافظة للخشب). يجوز أن يتم معالجة المواد التي تحتوي على الأسبستوس من قبل العمال المتخصصين فقط دون غيرهم.

- حافظ على تهوية مكان الشغل بشكل جيد.  
- ينصح بارتداء قناع وقاية للتنفس من فئة المرشح P2.

تراجع الأحمال السارية في بلدكم بالنسبة للمواد المرغوب معالجتها.

◀ **تجنب تراكم الغبار بمكان العمل.** يجوز أن تشتعل الأغبرة بسهولة.

## التشغيل

### بدء التشغيل

◀ **يراعى جهد الشبكة الكهربائية! يجب أن يتطابق جهد منبع التيار مع البيانات المذكورة على لوحة صنع العدة الكهربائية.** يمكن أن يتم تشغيل العدة الكهربائية المميزة بعلامة 230 فلت في مقبس 220 فلت أيضاً.

### التشغيل والإيقاف

لغرض تشغيل العدة الكهربائية، اضغط على مفتاح التشغيل/الإطفاء (6).

لغرض تثبيت مفتاح التشغيل/الإطفاء (6) احتفظ به مضغوطة واضغط على القفل أيضاً (5).

- (1) شفرة المنشار
- (2) صفيحة القاعدة
- (3) حاضن شفرة المنشار
- (4) أعطية فرش الفحم
- (5) تثبيت مفتاح التشغيل والإطفاء
- (6) مفتاح التشغيل والإطفاء
- (7) مفتاح سداسي الرأس المجوف
- (8) مقبض (مقبض مسك معزول)
- (9) ذراع SDS لشد وحل شفرات المنشار
- (10) الفرش الفحمية

## البيانات الفنية

منشار ترددي		GSA 120	
رقم الصنف	3 601 FB1 0..		
التحكم بعدد الأشواط	●		
قدرة الدخل الاسمية	1200	واط	
عدد الأشواط اللاحملي <sup>1</sup>	0-3000	دقيقة <sup>1</sup>	
حاضن العدة	SDS		
الشوط	29	مم	
عمق القطع الأقصى			
- في الخشب	220	مم	
- في الفولاذ (غير المسبوك)	20	مم	
- قطر الانبوب	220	مم	
الوزن حسب EPTA-Procedure 01:2014	3,7	كجم	
فئة الحماية	II/□		

تسري البيانات على جهد اسمي [U] يبلغ 230 فلت. قد تختلف تلك البيانات حسب اختلاف الجهد والطرزات الخاصة بكل دولة.

## التركيب

◀ **اسحب القابس من مقبس الشبكة الكهربائية قبل إجراء أي عمل على العدة الكهربائية.**

### تركيب/استبدال نصل المنشار

◀ **احرص أثناء تركيب العدة الكهربائية أو تغييرها على ارتداء قفازات حماية.** عدد الشغل حادة وقد تسخن عند الاستخدام لفترة طويلة.

◀ **انتبه أثناء استبدال شفرة المنشار إلى كون حاضن شفرة المنشار خالياً من بقايا المواد، مثلاً: نشارة الخشب والمعادن.** احرص أيضاً على ألا يوجد ساق مكسور في حاضن شفرة المنشار.

### اختيار نصل المنشار

تجد في نهاية هذا الدليل عرضاً عاماً لشفرات المنشار الموصى بها. اقتصر على استخدام شفرات المناشير ذات الساق الشامل 1/2 بوصة. ينبغي ألا يزيد طول شفرة المنشار عن الطول المطلوب لأداء عملية القص المرغوبة.

يجب أن يبلغ سمك ساق شفرة المنشار 0,8-1,8 مم.

الكهربائية المزودة بتحكم بعدد الأشواط. اضغط على العدة الكهربائية بقوة في قطعة الشغل، واجعل شفرة المنشار تتوغل ببطء داخل قطعة الشغل.

عندما تستقر صفيحة القاعدة (2) على قطعة الشغل بسطحها بالكامل، واصل النشر بمحاذاة خط القطع المرغوب.

لتنفيذ بعض الأشغال المعينة يمكن استخدام شفرة المنشار (1) مع إدارتها بزاوية 180° وقلب العدة الكهربائية بما يلائم ذلك.

#### النشر بتساع (انظر الصورة C)

يمكن نشر عناصر البناء الناتئة مثلًا: أنابيب المياه وما شابه عند الجدار مباشرة بواسطة شفرات المنشار المرنة الثنائية المعدن.

◀ **احرص دائما على أن تكون شفرة المنشار أطول من قطر قطعة الشغل المراد معالجتها. خطر التعرض لصدمة ارتدادية.**

ركز شفرة المنشار على الجدار مباشرة وقم بثبثها قليلا من خلال الضغط الجانبي على العدة الكهربائية إلى أن ترتكز صفيحة القاعدة على الجدار. شغل العدة الكهربائية وانشر قطعة الشغل بضغط جانبي ثابت.

#### مواد التبريد/التشحييم

يفضل دهن مواد التبريد أو التشحييم على مسار خط القطع عند نشر المعادن بسبب ارتفاع حرارة المادة.

## الصيانة والخدمة

### الصيانة والتنظيف

◀ **اسحب القابض من مقبس الشبكة الكهربائية قبل إجراء أي عمل على العدة الكهربائية.**

◀ **للعمل بشكل جيد وأمن حافظ دائما على نظافة العدة الكهربائية وقتحات التهوية .**

يفضل تنظيف حاضن شفرة المنشار باستخدام الهواء المضغوط أو باستخدام فرشاة ناعمة. انزع شفرة المنشار عن العدة الكهربائية من أجل ذلك. حافظ على الكفاءة الوظيفية لحاضن شفرة المنشار من خلال استخدام مواد تزييق مناسبة.

قد يؤدي اتساخ العدة الكهربائية بشكل شديد إلى خلل بالتشغيل. لذلك لا تقم بنشر الغامات التي ينتج عنها غبار كثيف من أسفل أو من مستوى أعلى من الراس.

إن تطلب الأمر استبدال كابل التوصيل، فينبغي أن يتم ذلك من قبل شركة بوش أو من قبل مركز خدمة عملاء وكالة بوش للعدد الكهربائية، لتجنب التعرض للمخاطر.

#### تغيير الفرش الفحمية (انظر الصورة F)

تفحص طول الفرش الفحمية بعد كل شهرين - ثلاثة أشهر تقريبا واستبدل الفرشتين الفحميتين عند الضرورة.

لا تستبدل أبدا فرشاة فحمية واحدة فقط.

**إرشاد:** استخدم فقط الفرش الفحمية المشتراة من شركة بوش والمخصصة لهذا المنتج.

- قم بفك الأغصية (4) بواسطة مفك براغي ملائم.  
- استبدل الفرش الفحمية (10) الفاضحة لضغط نابضي، وأعد ربط الأغصية بإحكام.

لغرض **إطفاء** العدة الكهربائية، اترك مفتاح التشغيل/ الإطفاء (6). في حالة ثبات زر التشغيل/الإطفاء (6)، اضغط عليه أولا ثم اتركه بعد ذلك.

#### التحكم بعدد الأشواط

يمكنك أن تتحكم بعدد أشواط العدة الكهربائية قيد التشغيل دون تدريج، حسب مدى الضغط على مفتاح التشغيل والإطفاء (6).

يؤدي الضغط الخفيف على مفتاح التشغيل والإطفاء (6) إلى عدد أشواط منخفض. يزداد عدد الأشواط بزيادة الضغط.

يتعلق عدد الأشواط المطلوب بمادة الشغل وبظروف العمل ويمكن استنتاجه من خلال التجربة العملية.

ينصح بتخفيض عدد الأشواط عند تنزيل نصل المنشار على قطعة الشغل وأيضاً عند نشر اللدائن والألمنيوم. في حالة العمل لفترة طويلة نسبيا بعدد أشواط قليل يمكن أن تسخن العدة الكهربائية بشدة. فك نصل المنشار وشغل العدة الكهربائية بعدد الأشواط الأقصى لمدة ثلاث دقائق تقريبا لتبريد العدة الكهربائية.

#### إرشادات العمل

◀ **اسحب القابض من مقبس الشبكة الكهربائية قبل إجراء أي عمل على العدة الكهربائية.**

◀ **أوقف العدة الكهربائية على الفور في حالة تعرض نصل المنشار للانحصار.**

#### نصائح

◀ **لا بد من مراعاة الأحكام القانونية ونصائح منتج المادة عند نشر مواد البناء الخفيفة.**

افحص الخشب وألواح الخشب المضغوط ومواد البناء وما شابه قبل نشرها من حيث وجود أغراض غريبة بها كالمسامير واللواكب وما شابه، واستخدم شفرة منشار مناسبة.

شغل العدة الكهربائية واقرب بها من مادة الشغل المرغوب معالجتها. دع صفيحة القاعدة (2) ترتكز على سطح قطعة الشغل وانشر الغامة بضغط ارتكاز أو دفع أمامي متساو. اطفئ العدة الكهربائية عند الانتهاء من عملية النشر.

اطفئ العدة الكهربائية فوراً في حال استعصاء شفرة المنشار. أفرج شق النشر قليلا بواسطة عدة ملائمة واسحب العدة الكهربائية للخارج.

#### صفيحة القاعدة القابلة للقلب (انظر الصورة B)

تتلائم صفيحة القاعدة (2) من خلال قابليتها للحركة مع الوضع الزاوي المطلوب للسطح في كل حالة.

#### النشر الغاطس (انظر الصور E-D)

◀ **يجب الإقتصار على استخدام خامات لينة مثل الخشب والورق المقوى المخصص في أعمال النشر الغاطس. لا تعالج مواد الشغل المعدنية بأسلوب النشر الغاطس.**

استخدم بالنشر الغاطس شفرات المنشار القصيرة فقط.

قم بوضع العدة الكهربائية مع حافة صفيحة القاعدة (2) على قطعة الشغل، مع مراعاة عدم تلامس شفرة المنشار (1) لقطعة الشغل، ثم قم بتشغيل العدة الكهربائية. اختر عدد الأشواط الأقصى بالعدد

طحيني هنا وشركاه ش.ذ.م.م.  
صندوق بريد صندوق 449-90

جديده  
الدورة-بيروت  
هاتف: +9611255211  
بريد إلكتروني: service-pt@tehini-hana.com

#### المغرب

روبرب بوش المغرب ش.ذ.م.م.  
53، زنقة الملازم محروم محمد  
20300 كازابلانكا  
بريد إلكتروني: sav.outillage@ma.bosch.com

#### عمان

ملتن للتجارة والمقاولات ش.م.م.  
صندوق بريد صندوق 131  
حي روي، 112 سلطة عمان  
هاتف: +968 99886794  
بريد إلكتروني: malatanpowertools@malatan.net

#### قطر

الدولية لطلول البناء ش.م.م.  
صندوق بريد صندوق 51،  
هاتف الدوحة: +974 40065458  
فاكس: +974 4453 8585  
بريد إلكتروني: csd@icsdoha.com

#### المملكة العربية السعودية

الجفالي وأخوانه للمعدات الفنية (جيتكو)  
الكيلو 14، طريق المدينة، منطقة البوادي  
21431 جدة  
هاتف: +966 2 6672222 فرع 1528  
فاكس: +966 2 6676308  
بريد إلكتروني: roland@eajb.com.sa

#### سوريا

مؤسسة دلال للأدوات الكهربائية  
صندوق بريد صندوق 1030  
حلب  
هاتف: +963212116083  
بريد إلكتروني: rita.dallal@hotmail.com

#### تونس

روبرت بوش تونس ش.ذ.م.م.  
7 زنقة ابن بطوطة Z.I. سان جوبان  
مقرين رياض  
2014 ابن عروس  
هاتف: +216 71 427 496/879  
فاكس: +216 71 428 621  
بريد إلكتروني: sav.outillage@tn.bosch.com

#### الإمارات العربية المتحدة

المركزية للسيارات والمعدات ذ.م.م، صندوق بريد  
صندوق 1984  
شارع الوحدة - مبنى صناعاء القديمة  
الشارقة  
هاتف: +971 6 593 2777  
فاكس: +971 6 533 2269  
بريد إلكتروني: powertools@centralmotors.ae

#### اليمن

مؤسسة أبو الرجال التجارية  
صناعاء، شارع الزبيرى. أمام مبنى البرلمان الجديد  
هاتف: +967-1-202010

#### خدمة العملاء واستشارات الاستخدام

يجيب مركز خدمة العملاء على الأسئلة المتعلقة بإصلاح المنتج وصيانتها، بالإضافة لقطع الغيار. تجد الرسوم التفصيلية والمعلومات الخاصة بقطع الغيار في الموقع: [www.bosch-pt.com](http://www.bosch-pt.com)  
يسر فريق Bosch لاستشارات الاستخدام مساعدتك إذا كان لديك أي استفسارات بخصوص منتجاتنا وملحقاتها.  
[www.powertool-portal.de](http://www.powertool-portal.de). بوابة الإنترنت للرفيئين والعمال اليدويين.

عند إرسال أية استفسارات أو طلبيات بخصوص قطع غيار يلزم ذكر رقم الصنف ذو الخانات العشر وفقا للوحة صنع المنتج.

#### الجزائر

سيستال  
منطقة المدادين الصناعية  
06000 بجاية  
هاتف: +213 (0) 982 400 991/2  
فاكس: +213 (0) 3 420 1569  
بريد إلكتروني: sav@siestal-dz.com

#### البحرين

مؤسسة حاتم الجفالي للمعدات الفنية.  
مملكة البحرين، طريق سترة السريع، منطقة العكر  
هاتف: +966126971777-311  
فاكس: +97317704257  
بريد إلكتروني: h.berjas@eajb.com.sa

#### مصر

يونيمار  
20 مركز خدمات  
التجمع الأول - القاهرة الجديدة  
هاتف: +20 2224 76091-95  
هاتف: +20 2224 78072-73  
فاكس: +20222478075  
بريد إلكتروني: adelzaki@unimaregypt.com

#### العراق

مجموعة الصهبا للتكنولوجيا  
شارع مطار المثنى  
بغداد  
هاتف: +9647901906953  
هاتف دبي: +97143973851  
بريد إلكتروني: bosch@sahbatechnology.com

#### الأردن

الجزور العربية Roots Arabia - الأردن  
شارع ناصر بن جميل، المبنى 37 الرابية  
11194 عمان  
هاتف: +962 6 5545778  
بريد إلكتروني: bosch@rootsjordan.com

#### الكويت

شركة القرين لتجارة السيارات  
منطقة الشويخ الصناعية، مبنى 1، قطعة 16، شارع رقم 3  
صندوق بريد صندوق 164 - 13002 الصفاة  
هاتف: 24810844  
فاكس: 24810879  
بريد إلكتروني: josephkr@aaalmutawa.com  
لبنان



فاكس: +967-1-279029  
بريد إلكتروني: tech-tools@abualrejal.com

### التخلص من العدة الكهربائية

ينبغي تسليم العدد الكهربائية والتوابع والعبوة إلى  
مركز معالجة النفايات بطريقة محافظة على البيئة.  
لا ترم العدد الكهربائية ضمن النفايات المنزلية.



## آفارسى

### دستورات ایمنى

#### نكات ایمنى عمومى برای ابزارهای برقى

#### ⚠ هشدار کلیه هشدارها، دستورالعملها،

تصاویر و مشخصات ارائه شده به همراه ابزار برقى را مطالعه کنید. اشتباهات ناشی از عدم رعایت این دستورات ایمنى ممکن است باعث برق گرفتگی، سوختگی و یا سایر جراحات های شدید شود.

کلیه هشدارهای ایمنى و راهنماییها را برای آینده خوب نگهداری کنید.

عبارت «ابزار برقى» در هشدارها به ابزارهایی که به پرز برق متصل میشوند (با سیم برق) و یا ابزارهای برقى باترى دار (بدون سیم برق) اشاره دارد.

#### ایمنى محل کار

◀ محیط کار را تمیز و روشن نگه دارید. محیطهای در هم ریخته یا تاریک احتمال بروز حادثه را افزایش میدهند.

◀ ابزار برقى را در محیطهایی که خطر انفجار وجود دارد و حاوی مایعات، گازها و بخارهای محترقه هستند، به کار نگیرید. ابزارهای برقى جرقههایی ایجاد میکنند که میتوانند باعث آتش گرفتن گرد و غبارهای موجود در هوا شوند.

◀ هنگام کار با ابزار برقى، کودکان و سایر افراد را از دستگاه دور نگه دارید. در صورتیکه حواس شما پرت شود، ممکن است کنترل دستگاه از دست شما خارج شود.

#### ایمنى الکتریكى

◀ دوشاخه ابزار برقى باید با پرز برق تناسب داشته باشد. هیچگونه تغییری در دوشاخه ایجاد نکنید. مبدل دوشاخه نباید همراه با ابزار برقى دارای اتصال زمین استفاده شود. دوشاخههای اصل و تغییر داده نشده و پرزهای مناسب، خطر برق گرفتگی را کاهش میدهند.

◀ از تماس بدنى با قطعات متصل به سیم اتصال زمین مانند لوله، شوفاژ، اجاق برقى و یخچال خودداری کنید. در صورت تماس بدنى با سطوح و قطعات دارای اتصال به زمین و همچنین تماس شما با زمین، خطر برق گرفتگی افزایش می یابد.

◀ ابزارهای برقى را در معرض باران و رطوبت قرار ندهید. نفوذ آب به ابزار برقى، خطر شوک الکتریكى را افزایش میدهد.

◀ از سیم دستگاه برای مقاصد دیگر استفاده نکنید. هرگز برای حمل ابزار برقى، کشیدن آن یا خارج کردن دوشاخه از سیم دستگاه استفاده نکنید. کابل دستگاه را از حرارت، روغن، لپههای تیز یا قطعات متحرک دور نگه دارید. کابلهای آسیب دیده و یا گره خورده خطر شوک الکتریكى را افزایش میدهند.

◀ هنگام استفاده از ابزار برقى در محیطهای باز، تنها از کابل رابطى استفاده کنید که برای محیط باز نیز مناسب باشد. کابل های رابط مناسب برای محیط باز، خطر برق گرفتگی را کم می کنند.

◀ در صورت لزوم کار با ابزار برقى در محیط و اماکن مرطوب، باید از یک کلید حفاظتی جریان خطا و نشتی زمین (کلید قطع کننده اتصال با زمین) استفاده کنید. استفاده از کلید حفاظتی جریان خطا و نشتی زمین خطر برق گرفتگی را کاهش می دهد.

#### رعایت ایمنى اشخاص

◀ حواس خود را خوب جمع کنید، به کار خود دقت کنید و با فکر و هوشیاری کامل با ابزار برقى کار کنید. در صورت خستگی و یا در صورتی که مواد مخدر، الکل و دارو استفاده کردهاید، با ابزار برقى کار نکنید. یک لحظه بی توجهی هنگام کار با ابزار برقى، میتواند جراحات های شدیدی به همراه داشته باشد.

◀ از تجهیزات ایمنى شخصی استفاده کنید. همواره از عینک ایمنى استفاده نمایید. استفاده از تجهیزات ایمنى مانند ماسک ضد گرد و غبار، کفشهای ایمنى ضد لغزش، کلاه ایمنى و گوشی محافظ متناسب با نوع کار با ابزار برقى، خطر مجروح شدن را کاهش میدهد.

◀ مواظب باشید که ابزار برقى بطور ناخواسته بکار نیفتد. قبل از وارد کردن دوشاخه دستگاه در

پرز برق، اتصال آن به باترى، برداشتن آن و یا حمل دستگاه، باید دقت کنید که ابزار برقى خاموش باشد. در صورتی که هنگام حمل دستگاه انگشت شما روی دکمه قطع و وصل باشد و یا دستگاه را در حالت روشن به برق بزنید، ممکن است سوانع کاری پیش آید.

◀ قبل از روشن کردن ابزار برقى، همه ابزارهای تنظیم کننده و آپارها را از روی دستگاه بردارید. ابزار و آپارهایی که روی بخش های چرخنده دستگاه قرار دارند، میتوانند باعث ایجاد جراحات شوند.

◀ وضعیت بدن شما باید در حالت عادى قرار داشته باشد. برای کار جای مطمئنی برای خود انتخاب کرده و تعادل خود را همواره حفظ کنید. به این ترتیب میتوانید ابزار برقى را در وضعیتهای غیر منتظره بهتر تحت کنترل داشته باشید.

◀ لباس مناسب بپوشید. از پوشیدن لباسهای گشاد و حمل زینت آلات خودداری کنید. موها و لباس خود را از بخشهای در حال چرخش دستگاه دور نگه دارید. لباسهای گشاد، موی بلند و زینت آلات ممکن است در قسمتهای در حال چرخش دستگاه گیر کنند.

◀ در صورتی که تجهیزاتی برای اتصال وسائل مکش گرد و غبار و یا وسیله جمع کننده گرد و غبار ارائه شده است، باید مطمئن شوید که این وسائل درست نصب و استفاده می شوند. استفاده از وسائل مکش گرد و غبار مصونیت شما را در برابر گرد و غبار زیادتر میکند.

◀ آشنایی با ابزار به دلیل کار کردن زیاد با آن نباید باعث سهل انگاری شما و نادیده گرفتن اصول ایمنى شود. بی دقتی ممکن است باعث بروز جراحاتی در عرض کسری از ثانیه شود.

- ◀ استفاده صحیح از ابزار برقی و مراقبت از آن
- ◀ از وارد کردن فشار زیاد روی دستگاه خودداری کنید. برای هر کاری، از ابزار برقی مناسب با آن استفاده کنید. بکار گرفتن ابزار برقی مناسب باعث میشود که بتوانید از توان دستگاه بهتر و با اطمینان بیشتر استفاده کنید.
- ◀ در صورت ایراد در کلید قطع و وصل ابزار برقی، از دستگاه استفاده نکنید. ابزار برقی که نمی توان آنها را قطع و وصل کرد، خطرناک بوده و باید تعمیر شوند.
- ◀ قبل از تنظیم ابزار برقی، تعویض متعلقات و یا کنار گذاشتن آن، دوشاخه را از برق بکشید و یا باتری آنرا خارج کنید. رعایت این اقدامات پیشگیری ایمنی از راه افتادن ناخواسته ابزار برقی جلوگیری می کند.
- ◀ ابزار برقی را در صورت عدم استفاده، از دسترس کودکان دور نگه دارید و اجازه ندهید که افراد ناوارد و یا اشخاصی که این دفترچه راهنما را نخوانده اند، با این دستگاه کار کنند. فرار گرفتن ابزار برقی در دست افراد ناوارد و بی تجربه خطرناک است.
- ◀ از ابزار برقی و متعلقات خوب مراقبت کنید. مواظب باشید که قسمت های متحرک دستگاه خوب کار کرده و گیر نکنند. همچنین دقت کنید که قطعات ابزار برقی شکسته و یا آسیب دیده نباشند. قطعات آسیب دیده را قبل از شروع به کار تعمیر کنید. علت بسیاری از سوانح کاری، عدم مراقبت کامل از ابزارهای برقی می باشد.
- ◀ ابزار برش را تیز و تمیز نگه دارید. ابزار برشی که خوب مراقبت شده و از لبه های تیز برخوردار است، کمتر در قطعه کار گیر کرده و بهتر قابل هدایت است.
- ◀ ابزار برقی، متعلقات، متنها دستگاه و گیره را مطابق دستورات این جزوه راهنما به کار گیرید و به شرایط کاری و نوع کار نیز توجه داشته باشید. استفاده از ابزار برقی برای عملیاتی به جز مقاصد در نظر گرفته شده، میتواند به بروز شرایط خطرناک منجر شود.
- ◀ دستها و سطوح عایق را همواره خشک، تمیز و عاری از روغن و گریس نگه دارید. دسته های لغزنده مانع ایمنی و کنترل در کار در شرایط غیر منتظره هستند.
- سرویس**
- ◀ برای تعمیر ابزار برقی فقط به متخصصین حرفه ای رجوع کنید و از قطعات یدکی اصل استفاده نمایید. این باعث خواهد شد که ایمنی دستگاه شما تضمین گردد.
- نکات ایمنی برای اره های همه کاره**
- ◀ چنانچه بسته به نوع کار، امکان تماس متعلقات برش با کابلهای برق غیر قابل رؤیت ساختمان یا کابل خود ابزار وجود داشته باشد، بایستی ابزار برقی را از محل دسته و سطوح عایق دار آن در دست بگیرید. تماس متعلقات برش با سیم و کابلی که هادی جریان برق است، می تواند جریان برق را به بخشهای فلزی دستگاه نیز انتقال دهد و باعث برق گرفتگی شود.
- ◀ جهت ایمن و تثبیت کردن قطعه کار از گیره را یا سایر راههای تثبیت قطعه کار استفاده کنید. نگه داشتن قطعه کار با دست یا تکیه دادن آن به بدن باعث بی ثباتی آن و از دست دادن کنترل روی آن می گردد.
- ◀ دستهایتان را از اطراف محدوده ارهکاری دور نگهدارید. دست خود را به قسمت زیر قطعه کار نزدیک نکنید. تماس با تیغه اره باعث جراحت خواهد شد.
- ◀ ابزار برقی را هنگام کار با دو دست محکم بگیرید و وضعیت خود را ثابت و مطمئن کنید. ابزار برقی با دو دست مطمئن تر هدایت می شود.
- ◀ ابزار برقی را تنها در حال روشن بودن به طرف قطعه کار برانید. در غیر اینصورت ممکن است ابزار روی دستگاه در قطعه کار گیر کرده و باعث ضربه زدن (پس زدن) دستگاه شود.
- ◀ دقت کنید که صفحه پایه هنگام ارهکاری چسبیده به قطعه کار قرار گیرد. تیغه اره ممکن است به قطعه کار گیر کرده و کنترل ابزار برقی از دست شما خارج شود.
- ◀ بعد از انجام کار، ابزار برقی را خاموش کرده و تیغه اره را هنگامی از داخل برش قطعه خارج کنید که دستگاه کاملاً متوقف شده باشد. بدین ترتیب از ضربه زدن (پس زدن) دستگاه جلوگیری بعمل می آید و میتواند ابزار برقی را بطور مطمئن کنار بگذارید.
- ◀ قبل از کنار گذاشتن ابزار برقی صبر کنید تا دستگاه بطور کامل از کار و حرکت بایستد. ابزار ممکن است به قطعه کار گیر کرده و کنترل ابزار برقی از دست شما خارج شود.
- ◀ تنها از تیغه اره های سالم و بی نقص استفاده کنید. تیغه اره های تاب دار و کند ممکن است بشکنند، برش را تحت تأثیر منفی قرار دهند یا منجر به پس زدن شوند.
- ◀ بعد از خاموش کردن دستگاه، تیغه اره را با وارد آوردن فشار جانبی به آن، متوقف نکنید. تیغه اره ممکن است آسیب دیده، بشکند و یا باعث پس زدن دستگاه شود.
- ◀ قطعکار را خوب مهار کنید. قطعکار را به دست یا پای خود تکیه نکنید. اره در حال حرکت نباید به کف زمین یا هیچ جسم دیگری برخورد کند. خطر پس زدن وجود دارد.
- ◀ برای پیدا کردن لوله ها و سیم های پنهان موجود در ساختمان و محدوده کار، از یک دستگاه ردیاب مخصوص برای یافتن لوله ها و سیمهای تأسیسات استفاده کنید و یا با شرکت های کارهای تأسیسات ساختمان و خدمات مربوطه تماس بگیرید. تماس با کابل و سیمهای برق ممکن است باعث آتشسوزی و یا برق گرفتگی شود. ایراد و آسیب دیدگی لوله گاز میتواند باعث انفجار شود. سوراخ شدن لوله آب، باعث خسارت و یا برق گرفتگی میشود.

## GSA 120

## اره همه کاره



کلاس ایمنی

مقادیر برای ولتاژ نامی [230] I یا ولت میباشند. برای ولتاژهای مختلف و تولیدات مخصوص کشورها، ممکن است این مقادیر متفاوت باشند.

## نصب

◀ پیش از انجام هرگونه کاری بر روی ابزار الکتریکی، دوشاخه اتصال آنرا از داخل پریز برق بیرون بکشید.

## نحوه قرار دادن/تعویض تیغه اره

◀ به هنگام مونتاژ تیغه اره یا تعویض ابزار از دستکش ایمنی استفاده کنید. ابزارها تیز هستند و ممکن است در صورت کاربری طولانی داغ شوند.

◀ هنگام تعویض تیغه اره، توجه داشته باشید که ابزارگیر برای مهار تیغه اره، عاری از باقیمانده ذرات و مواد از جمله تراشه چوب و یا براده فلز باشد. دقت کنید که در گیرنده تیغه اره، شفت شکسته ای موجود نباشد.

## انتخاب تیغه اره

لیستی از تیغه اره های توصیه شده را در انتهای این دفترچه می یابید. تنها از تیغه اره های دارای شفت اونیورسال با اندازه 1/2" استفاده کنید. تیغه اره نباید بلندتر از اندازه برش مورد نظر باشد. قطر شفت تیغه اره بایستی 0,8-1,8 میلیمتر باشد. جهت اره کردن گوشه های تنگ از یک اره باریک استفاده کنید.

## قرار دادن تیغه اره (رجوع کنید به تصویر A)

اهرم SDS (9) را به جلو فشار دهید و تیغه اره (1) را پشت صفحه نگهدارنده در گیرنده تیغه اره (3) قرار دهید. اهرم SDS (9) را رها کنید.

◀ با کشیدن تیغه اره، از محکم نشستن آن مطمئن شوید. چنانچه تیغه اره بطور محکم قرار نگرفته باشد، ممکن است بیرون افتاده و باعث جراحت شما شود.

برای کارهای خاص می توان تیغه اره (1) را به مقدار 180° چرخاند (دندانه ها بالا را نشان می دهند) و دوباره قرار داد.

## نحوه برداشتن تیغه اره

◀ بگذارید تیغه اره، قبل از برداشتن سرد شود. چنانچه با تیغه اره، داغ تماس حاصل کنید، خطر آسیب دیدگی و جراحت وجود دارد.

اهرم SDS (9) را به جلو فشار دهید و تیغه اره (1) را بیرون بکشید. اهرم SDS (9) را رها کنید.

## مکش گرد، براده و تراشه

گرد و غبار موادی مانند رنگ های دارای سرب، بعضی از چوب ها، مواد معدنی و فلزات میتوانند

## توضیحات محصول و کارکرد

همه دستورات ایمنی و راهنماییها را بخوانید. اشتباهات ناشی از عدم رعایت این دستورات ایمنی ممکن است باعث برقگرفتگی، سوختگی و یا سایر جراحت های شدید شود.



به تصویرهای واقع در بخشهای اول دفترچه راهنما توجه کنید.

## موارد استفاده از دستگاه

این ابزار برقی مخصوص برش (اره کردن) چوب، مواد پلاستیکی، فلز و مواد و مصالح ساختمانی در حالیکه بطور محکم بر روی قطعه کار قرار گرفته و قطعه کار بخوبی مهار شده باشد، در نظر گرفته شده است. برای برش مستقیم و منحنی مناسب است. در صورت کاربرد تیغه اره های بی متال مناسب، جدا کردن همسطح ممکن است. به توصیه های مربوط به اره کاری توجه کنید.

## اجزاء دستگاه

شماره های اجزاء دستگاه که در تصویر مشاهده میشوند، مربوط به شرح ابزار برقی می باشد که تصویر آن در این دفترچه آمده است.

- (1) تیغه اره
- (2) صفحه پایه/کفی
- (3) گیرنده تیغه اره
- (4) درپوش های جاروبک های زغالی
- (5) دکمه قفل و تثبیت کلید قطع و وصل
- (6) کلید قطع و وصل
- (7) آچار آلن
- (8) دسته (دارای سطح عایق)
- (9) اهرم SDS برای مهار و باز کردن تیغه اره ها
- (10) جاروبک زغالی

## مشخصات فنی

اره همه کاره		GSA 120
شماره فنی		3 601 FB1 0..
کنترل تعداد ضربه (سرعت)	●	
قدرت ورودی نامی	W	1200
تعداد ضربه در حالت آزاد <sup>1)</sup>	دقیقه <sup>-1</sup>	0-3000
ابزارگیر		SDS
ضربه	میلیمتر	29
پیشینه ی عمق برش		
- در چوب	میلیمتر	220
- در فولاد (آلیاژی)	میلیمتر	20
- قطر لوله	میلیمتر	220
وزن مطابق استاندارد EPTA-Procedure 01:2014	kg	3,7

## راهنمائیهای عملی

◀ **پیش از انجام هرگونه کاری بر روی ابزار الکتریکی، دوشاخه اتصال آنرا از داخل پریز برق بیرون بکشید.**

◀ **در صورت بلوکه شدن تیغه اهر، ابزار برقی را فوراً خاموش کنید.**

### پیشنادهای مفید

◀ **به هنگام برش قطعات و مواد ساختمانی سبک به مقررات قانونی و به توصیه های تولید کننده و سازنده این مواد توجه داشته باشید.**

قبل از اهر کاری روی چوب، صفحات نئوپان، مصالح ساختمانی و غیره، آنها را نسبت به وجود اجسام خارجی مثل پیچ یا مانند آنها کنترل و از تیغه اهر مناسب استفاده کنید.

ابزار برقی را روشن کنید و آنرا بر روی قطعه کاری هدایت کنید. صفحه پایه (2) را روی سطح قطعه کار قرار دهید و با فشار متعادل یا راندن اهر کنید. پس از پایان کار، ابزار برقی را خاموش کنید.

چنانچه تیغه اهر گیر کرد، ابزار برقی را بلافاصله خاموش کنید. شکاف اهر را بوسیله یک ابزار مناسب کمی باز کنید و ابزار برقی را از قطعه کار بیرون بکشید.

**صفحه پایه متغیر (رجوع کنید به تصویر B)**

صفحه پایه (2) خود را در صورت نیاز به دلیل قابلیت حرکت آزاد با زاویه سطح هماهنگ می کند.

**اهر کاری عمقی (رجوع کنید به تصویر E-D)**

◀ **اهر کاری عمقی برای کار روی موادی مانند چوب، سقف کاذب و مانند آن است! این نوع برش عمقی را هیچگاه بر روی قطعات فلزی انجام ندهید!**

برای ایجاد برش های عمیق جیبی فقط از تیغه اهر کوتاه استفاده کنید.

ابزار برقی را از لبه جلویی صفحه پایه (2) روی قطعه کار قرار دهید بدون اینکه تیغه اهر (1) با قطعه کار تماس پیدا کند و آن را روشن کنید. در ابزارهای برقی که در آنها امکان تنظیم تعداد ضربه وجود دارد، حداکثر تعداد ضربه را انتخاب کنید. ابزار برقی را محکم به قطعه کار فشار داده و بگذارید تیغه اهر به آرامی در داخل قطعه حرکت کند.

به محض اینکه صفحه پایه (2) کاملاً روی قطعه کار قرار گرفت، در امتداد خط برش دلتخواه اهر کنید.

برای کارهای خاص، می توان تیغه اهر (1) را به مقدار 180° چرخش، قرار داد و ابزار برقی را با چرخش متناسب بکار برد.

**اهر کاری همسطح (رجوع کنید به تصویر C)**

با تیغه اهر های بی مثال انعطافی می توان به عنوان مثال مصالح ساختمانی مانند لوله های آب را نزدیک به دیوار برش داد.

◀ **دقت کنید که طول تیغه اهر همواره بیشتر از قطر قطعه کار باشد. خطر پس زدن وجود دارد.**

تیغه اهر را مستقیماً همسطح به دیوار بچسبانید و آنرا بوسیله فشار جانبی آهسته بر روی ابزار برقی خم کنید تا صفحه پایه بر دیوار قرار بگیرد. ابزار برقی را روشن کنید و قطعه کار را تحت فشار جانبی ثابت اهر کنید.

برای سلامتی مضر باشند. دست زدن و یا تنفس کردن گرد و غبار ممکن است باعث بروز آلرژی و یا بیماری مجاری تنفسی شخص استفاده کننده و یا افرادی که در آن نزدیکی میباشند، بشود.

گرد و غبارهای مخصوصی مانند گرد و غبار درخت بلوط و یا درخت راش سرطان زا هستند، بخصوص ترکیب آنها با سایر موادی که برای کار بر روی چوب (کرومات، مواد برای محافظت از چوب) بکار برده میشوند. فقط افراد متخصص مجازند با موادی که دارای آزیست میباشند کار کنند.

- توجه داشته باشید که محل کار شما از تهویه هوای کافی برخوردار باشد.

- توصیه میشود از ماسک تنفسی ایمنی با درجه فیلتر P2 استفاده کنید.

به قوانین و مقررات معتبر در کشور خود در رابطه با استفاده از مواد و قطعات کاری توجه کنید.

◀ **از تجمع گرد و غبار در محل کار جلوگیری کنید.** گرد و غبار می توانند به آسانی مشتعل شوند.

## طرز کار با دستگاه

### راه اندازی و نحوه کاربرد دستگاه

◀ **به ولتاژ شبکه برق توجه کنید! ولتاژ منبع جریان برق باید با مقادیر موجود بر روی برچسب ابزار الکتریکی مطابقت داشته باشد. ابزارهای برقی را که با ولتاژ 230 V ولت مشخص شده اند، می توان تحت ولتاژ 220 V ولت نیز بکار برد.**

### نحوه روشن و خاموش کردن

برای روشن کردن ابزار برقی، کلید قطع و وصل (6) را فشار دهید.

برای قفل کردن کلید قطع و وصل (6)، آن را فشرده نگهدارید و علاوه بر این قفلکننده (5) را فشار دهید.

برای خاموش کردن ابزار برقی، کلید قطع و وصل (6) را رها کنید. در صورت قفل بودن کلید قطع و وصل (6) آن را ابتدا فشار دهید و دوباره رها کنید.

### نحوه تنظیم تعداد ضربه

تعد ضربه ابزار برقی را می توان با فشردن دلتخواه کلید قطع و وصل (6) تنظیم کرد.

فشار کم روی کلید قطع و وصل (6) تعداد ضربه کاهش مییابد. با افزایش فشار بر روی کلید قطع و وصل، تعداد ضربه افزایش می یابد.

تعداد و سرعت ضربه ایده آل به نوع و جنس قطعه کار و شرایط کاری بستگی دارد و با تجربه عملی بدست می آید.

کاهش تعداد ضربه (سرعت) به هنگام قرار دادن تیغه اهر بر روی قطعه کار و همچنین برای اهر کردن مواد پلاستیکی و آلومینیوم پیشنهاد میشود.

هنگام کار طولانی با سرعت کم ممکن است ابزار برقی بسیار گرم شود. تیغه اهر را جدا کنید و بگذارید ابزار برقی جهت خنک شدن برای حدود 3 دقیقه با بیشترین سرعت کار کند.

## از رده خارج کردن دستگاه

ابزار برقی، متعلقات و بسته بندی آن، باید طبق مقررات حفظ محیط زیست از رده خارج و بازیافت شوند.

ابزارهای برقی را داخل زباله دان خانگی نیندازید!



## ماده خنک کننده و روغن کاری

از آنجا که فلز هنگام برش داغ میشود، باید در مسیر خط برش از ماده خنک کننده و روغن استفاده کنید.

## مراقبت و سرویس

### مراقبت، تعمیر و تمیز کردن دستگاه

◀ **پیش از انجام هرگونه کاری بر روی ابزار الکتریکی، دوشاخه اتصال آنرا از داخل پریز برق بیرون بکشید.**

◀ **ابزار الکتریکی و شیارهای تهویه آنرا تمیز نگاه دارید، تا ایمنی شما در کار تضمین گردد.**

نگهدارنده ی تیغه اره را ترجیماً با فشار هوا یا یک قلم موی نرم تمیز کنید. برای این منظور تیغه اره را از ابزار برقی بیرون آورید. با روغنهای متناسب، نگهدارنده ی تیغه اره را سرویس کنید.

آلوده شدن بیش از حد ابزار برقی، میتواند باعث ایجاد اختلال در آن شود. از اینرو موارد با قابلیت تولید گرد و غبار بالا را زیر یا بالای سر خود اره نکنید. در صورت نیاز به یک کابل یدکی برای اتصال به شبکه برق، بایستی به شرکت بوش و یا به نمایندگی مجاز بوش (خدمات پس از فروش) برای ابزار آلات برقی بوش مراجعه کنید تا از بروز خطرات ایمنی جلوگیری بعمل آید.

### تعویض جاروبکهای زغالی (رجوع کنید به تصویر F)

اندازه و طول جاروبک های زغالی را هر 2-3 ماه کنترل کنید و در صورت لزوم هر دو را تعویض کنید. هرگز فقط یک جاروبک زغالی را تعویض نکنید!  
**نکته:** فقط از جاروبک های زغالی استفاده کنید که در رابطه با محصول شما از طرف Bosch توصیه شدهاند.

- درپوش (4) را بوسیله یک پیچگوشتی مناسب باز کنید.
- جاروبک های زغالی (10) را تعویض کنید و دوباره درپوشها را ببندید.

### خدمات و مشاوره با مشتریان

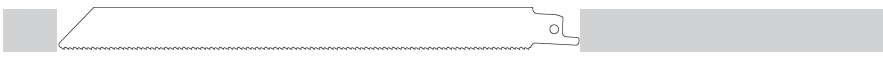
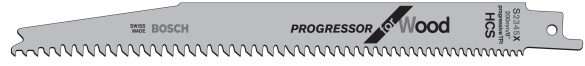
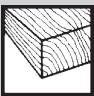








دفتر خدمات پس از فروش به سئوالات شما در باره تعمیرات، سرویس و همچنین قطعات یدکی و متعلقات پاسخ خواهد داد. نقشههای سه بعدی و اطلاعات در مورد قطعات یدکی را در تارنمای زیر میبایید: [www.bosch-pt.com](http://www.bosch-pt.com)  
تیم مشاوره کاربری Bosch به سئوالات شما در مورد محصولات ما و متعلقات آنها پاسخ می دهد.  
[www.powertool-portal.de](http://www.powertool-portal.de)، سامانه اینترنتی برای صنعتگران و مشاغل فنی.

برای هرگونه سؤال و یا سفارش ابزار یدکی و متعلقات، حتماً شماره فنی ده رقمی کالا را مطابق برچسب روی ابزار برقی اطلاع دهید.

### ایران

روبرت بوش ایران - شرکت بوش تجارت پارس  
میدان ونک، خیابان شهید خدای، خیابان آفتاب  
ساختمان مادیران، شماره 3، طبقه سوم.  
تهران 1994834571  
تلفن: 42039000+9821





<b>HCS</b> High carbon steel 

<b>BIM</b> Bi-Metal 

<b>BIM</b> Bi-Metal 

<b>BIM</b> Bi-Metal  

<b>BIM</b> Bi-Metal 