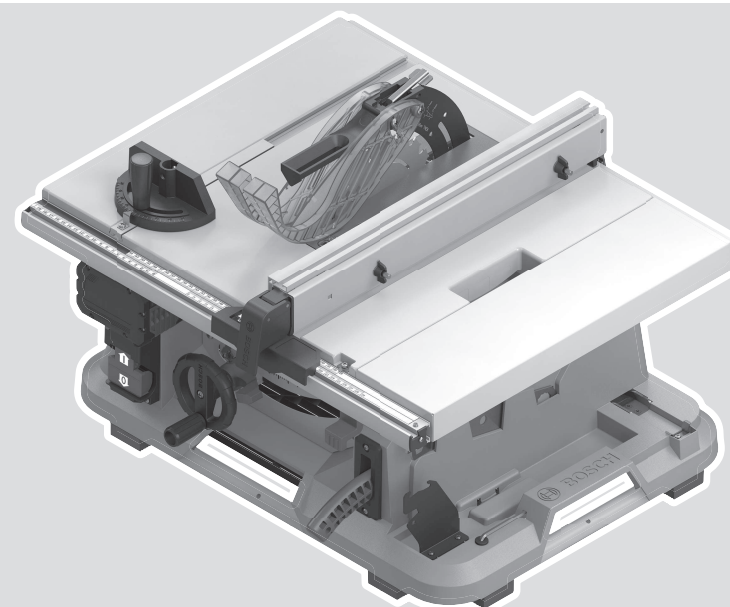




# GTS 18V-216 Professional



Robert Bosch Power Tools GmbH  
70538 Stuttgart  
GERMANY

[www.bosch-pt.com](http://www.bosch-pt.com)

1 609 92A 8C1 (2023.07) PS / 195

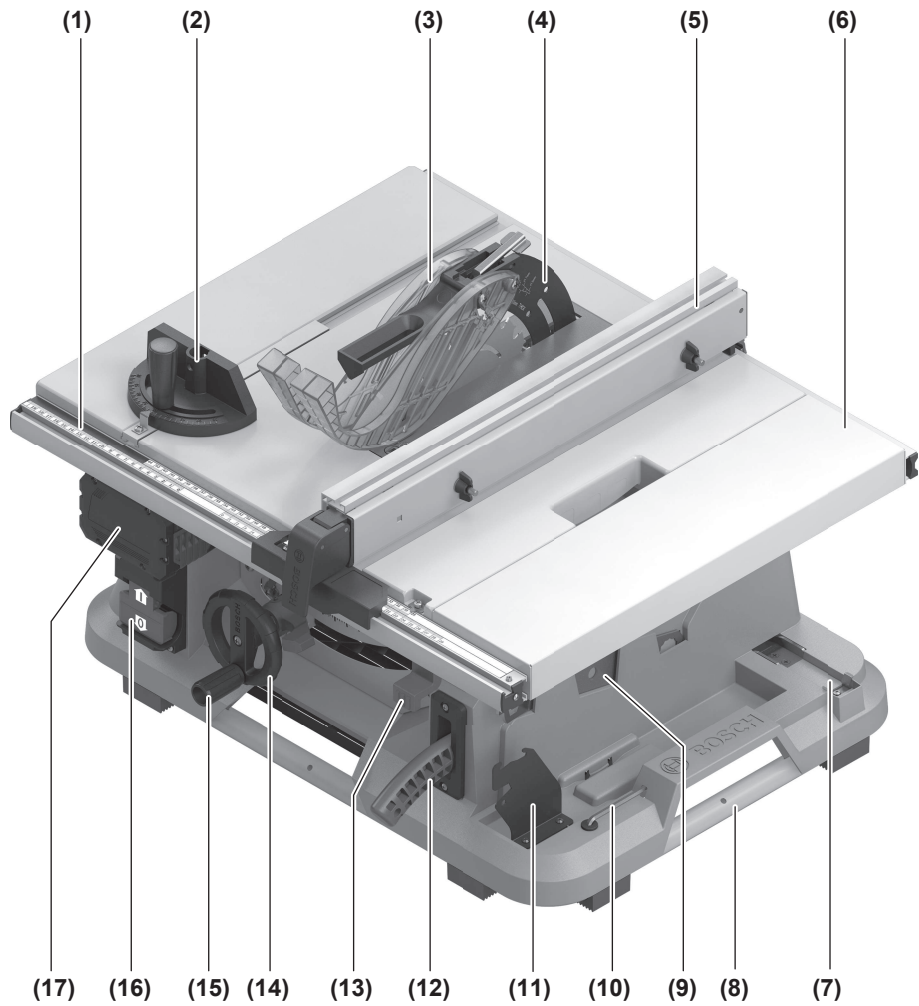


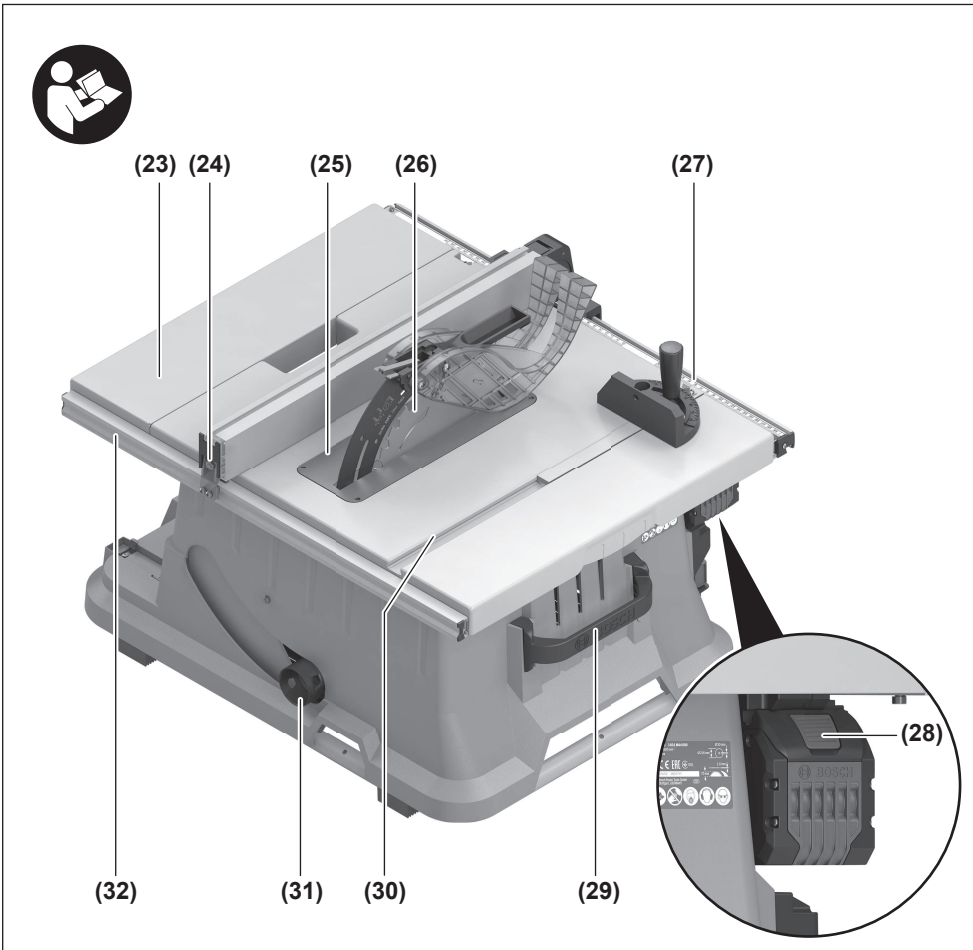
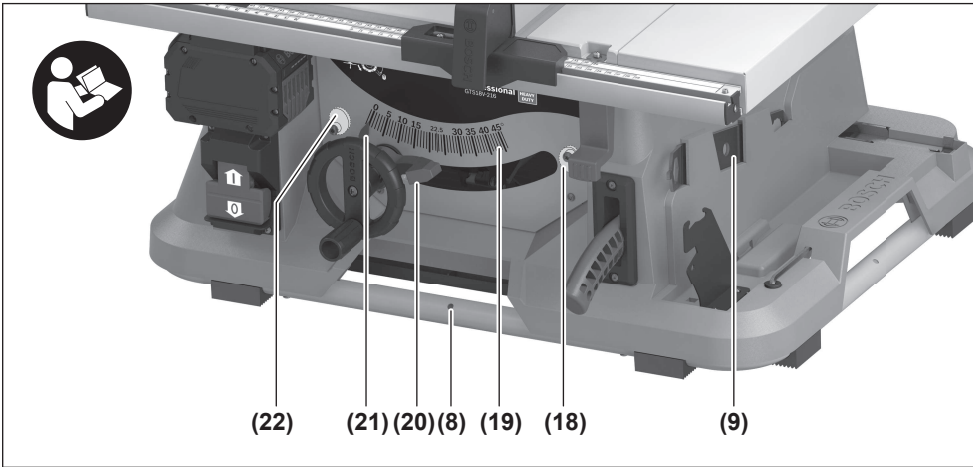
1 609 92A 8C1

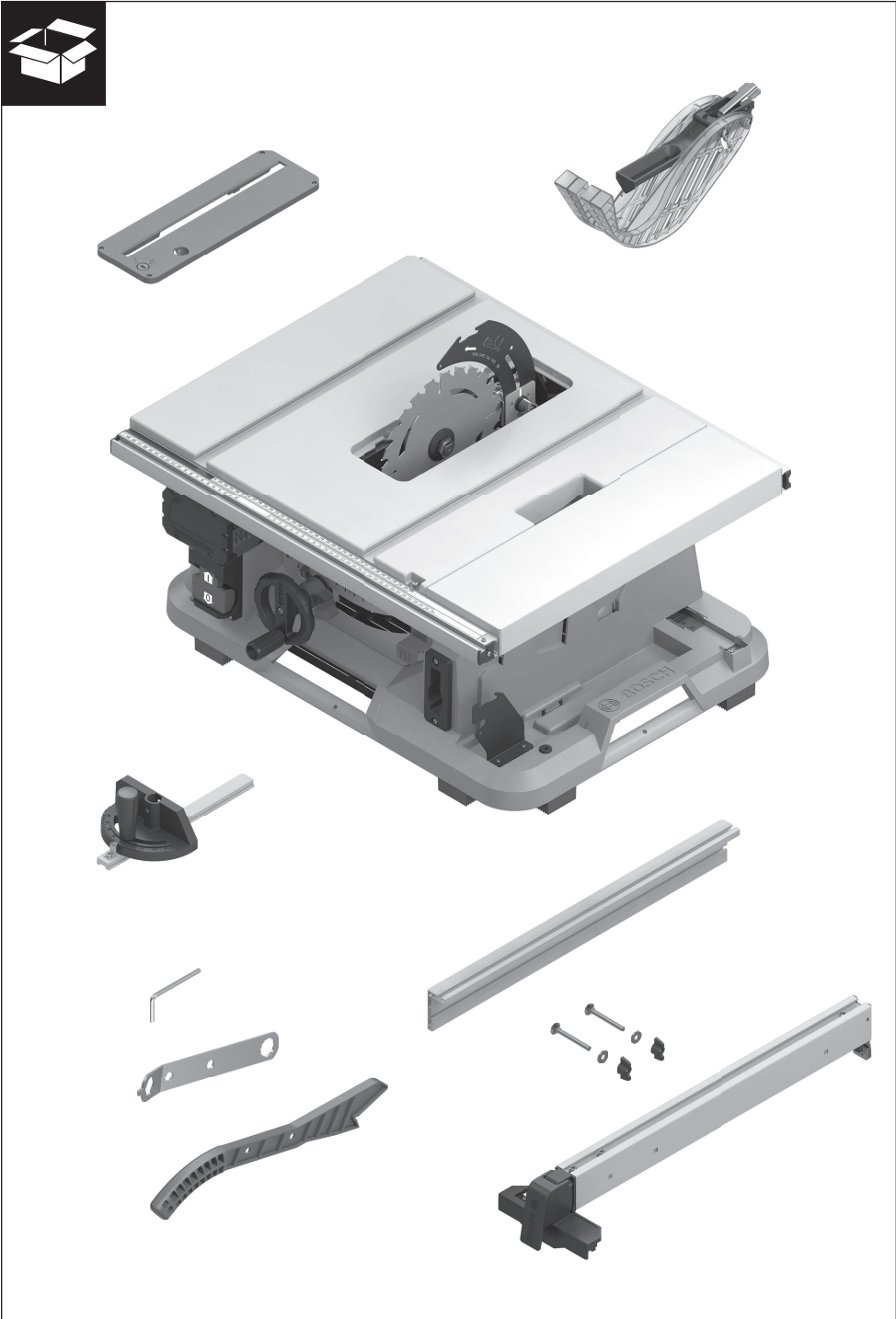
- en Original instructions
- fr Notice originale
- pt Manual original
- es Manual original
- pt Manual de instruções original
- zh 正本使用说明书
- zh 原始使用說明書
- th หนังสือคู่มือการใช้งานฉบับต้นแบบ
- id Petunjuk-Petunjuk untuk Penggunaan Orisinal
- vi Bản gốc hướng dẫn sử dụng
- ar دليل التشغيل الأصلي
- fa دفترچه راهنمای اصلی

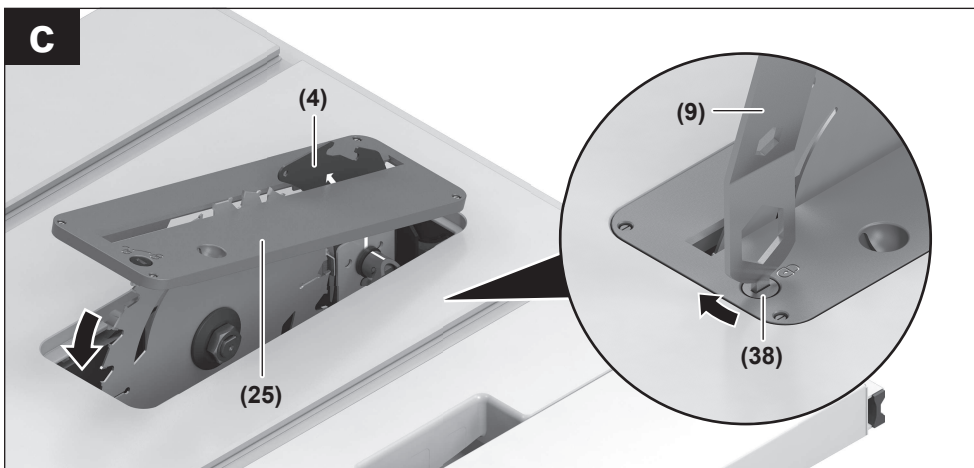
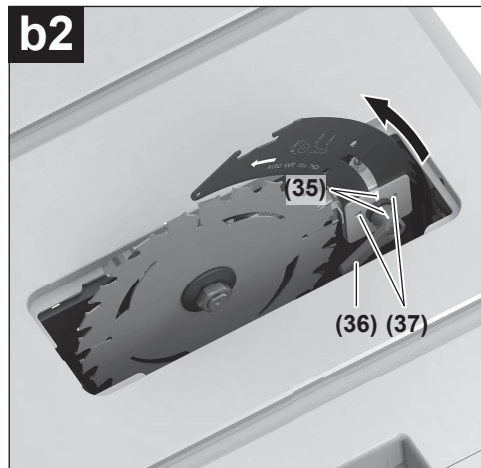
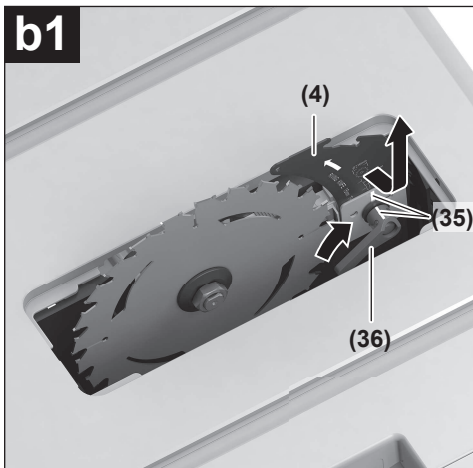
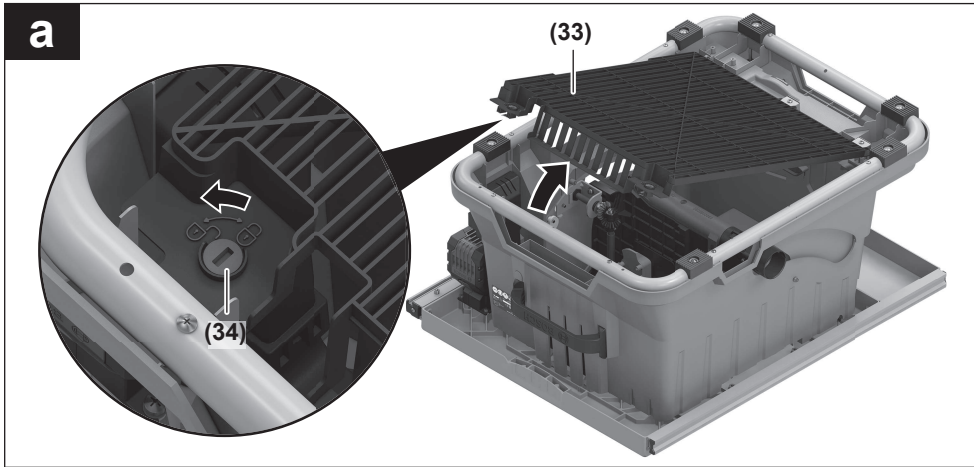


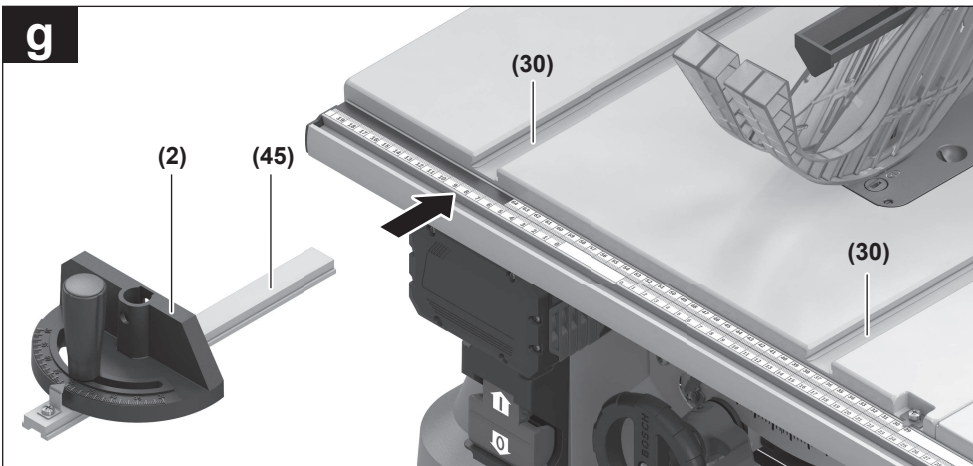
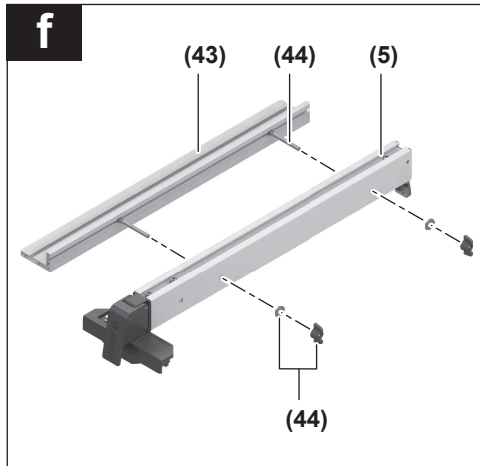
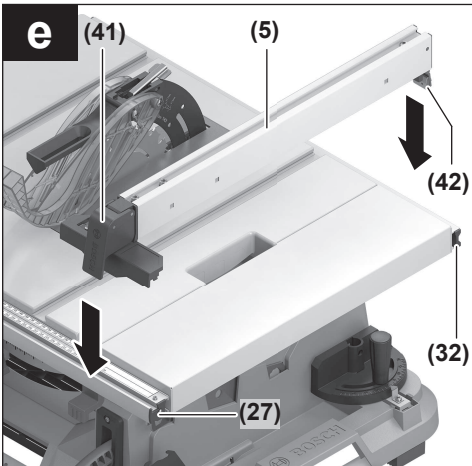
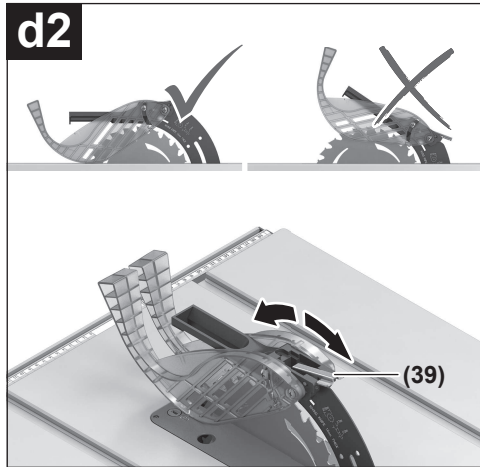
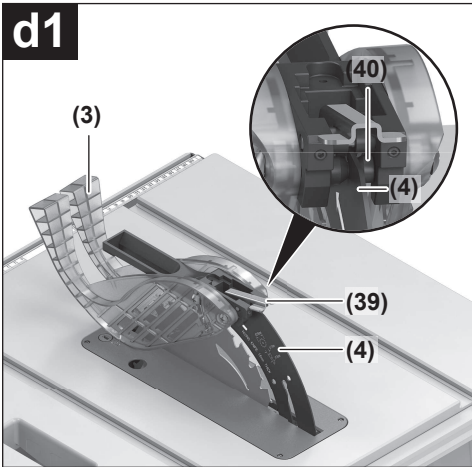
English .....	Page	15
Français .....	Page	29
Português .....	Página	45
Español .....	Página	60
Português do Brasil .....	Página	76
中文 .....	頁	92
繁體中文 .....	頁	104
ไทย .....	หน้า	116
Bahasa Indonesia .....	Halaman	130
Tiếng Việt .....	Trang	146
عربي .....	الصفحة	162
فارسی .....	صفحه	177

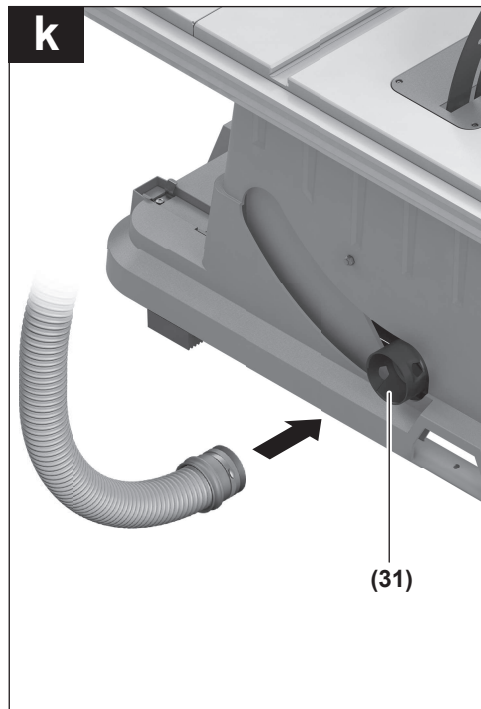
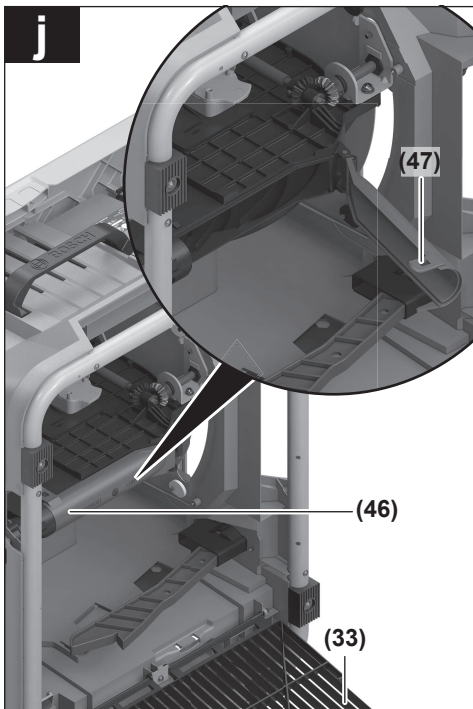
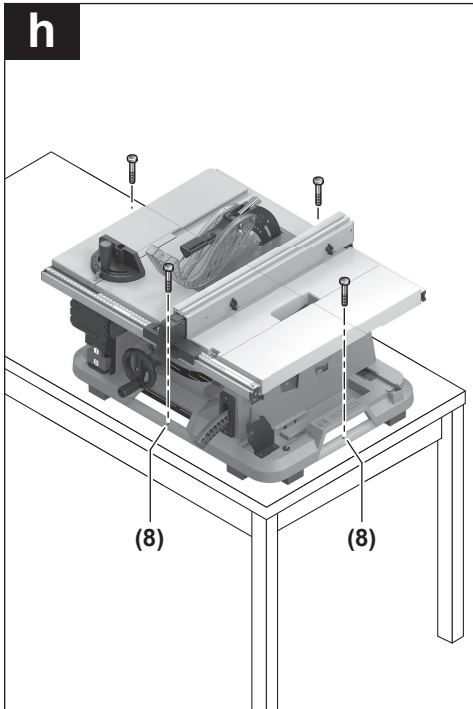




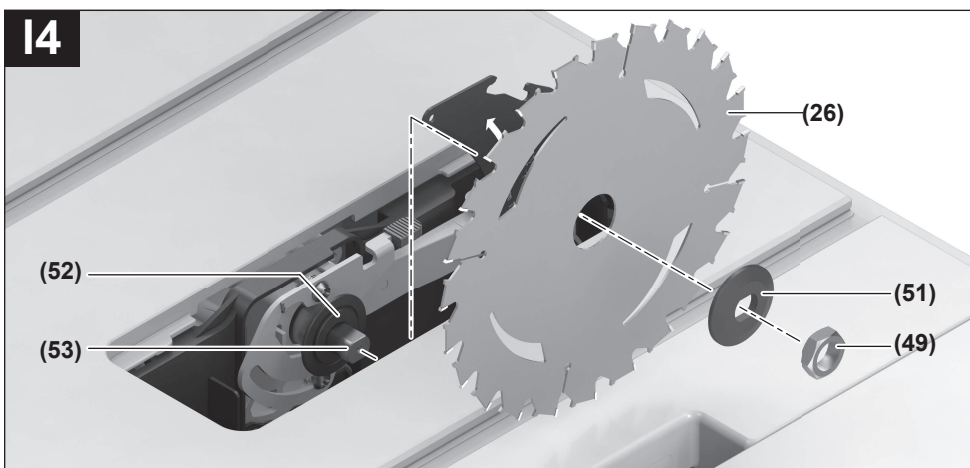
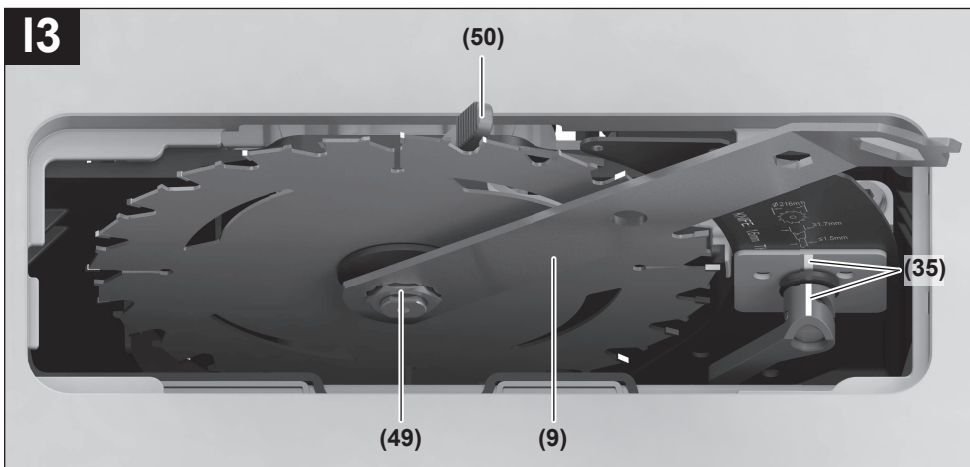
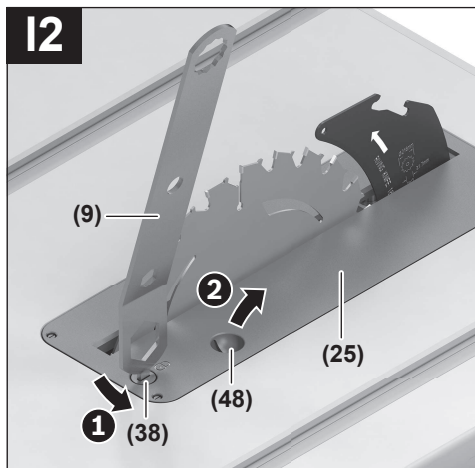
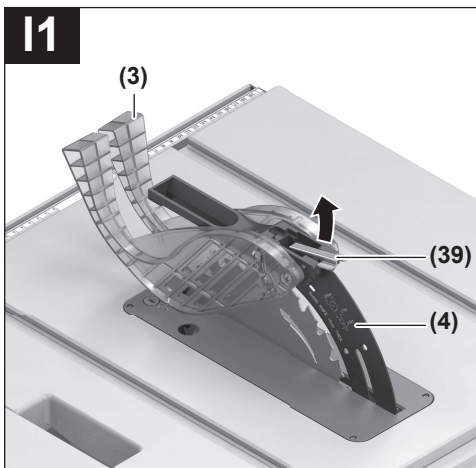


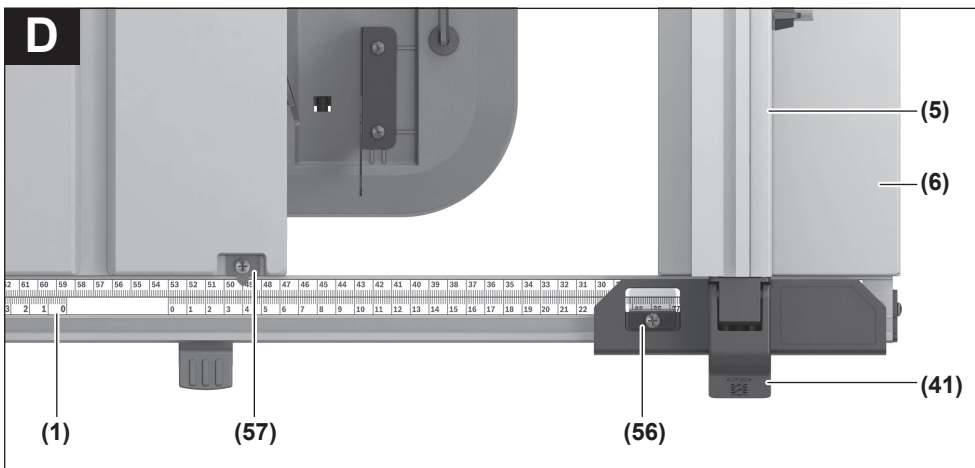
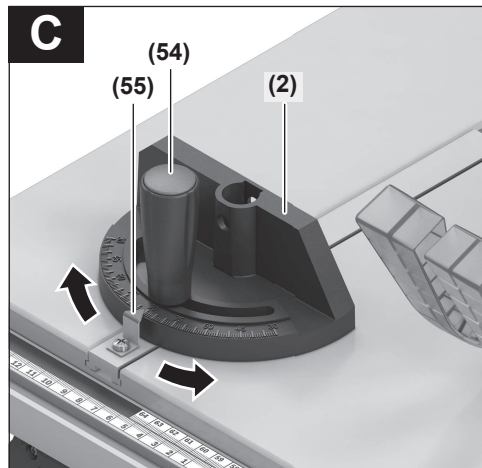
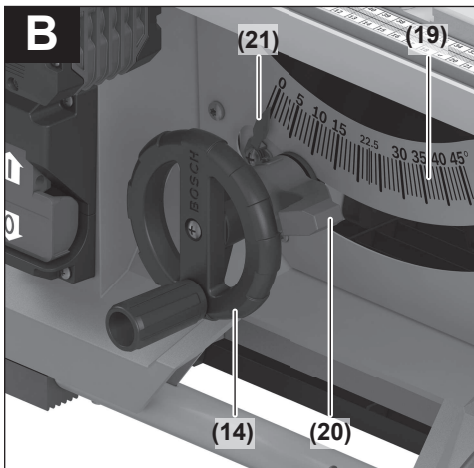
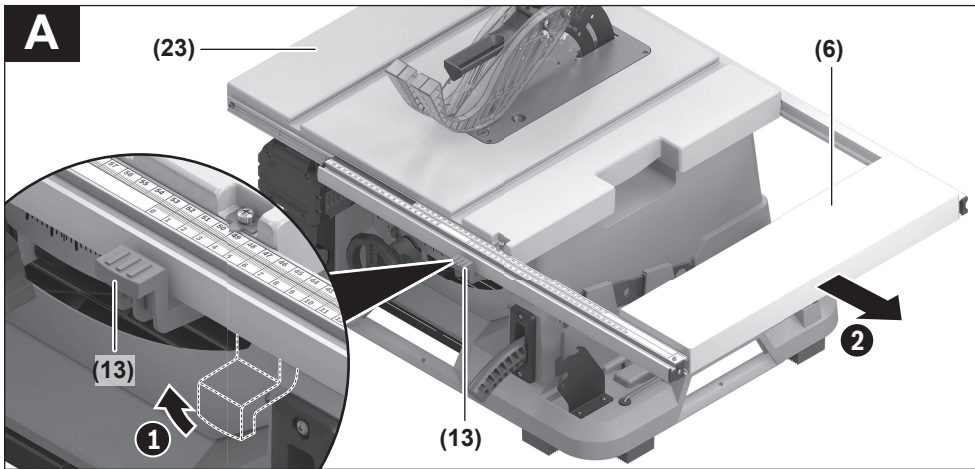


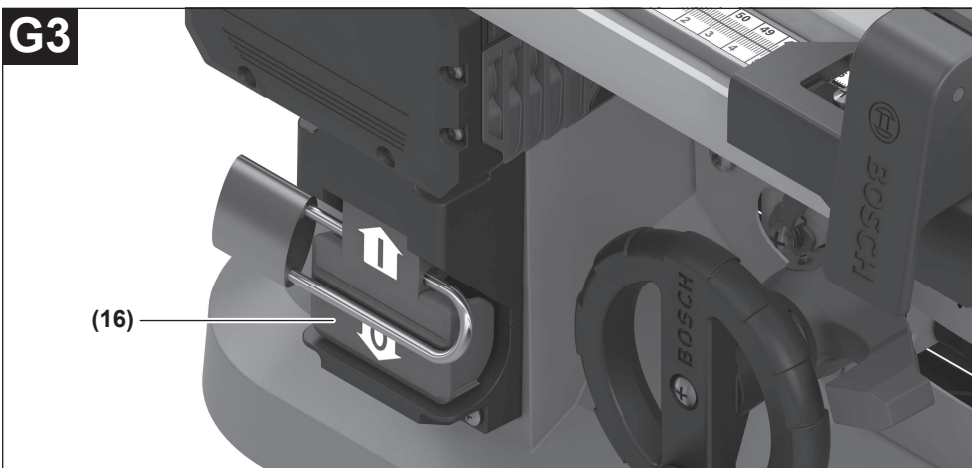
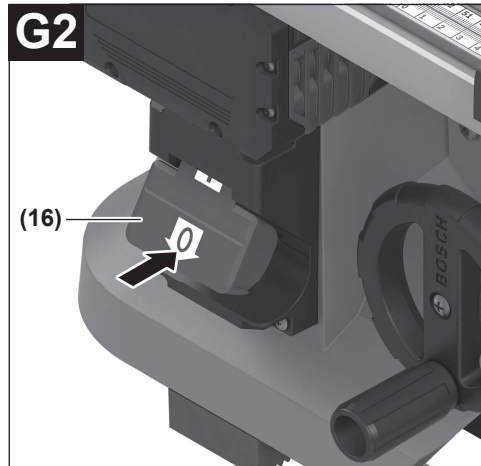
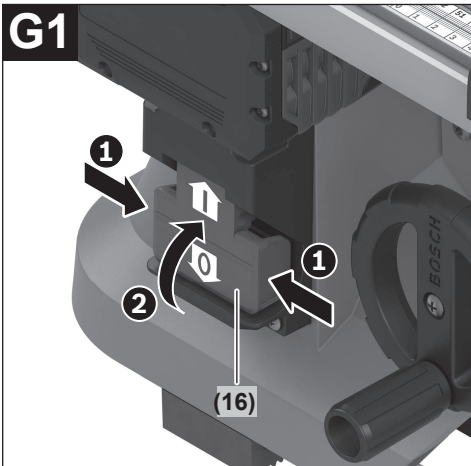
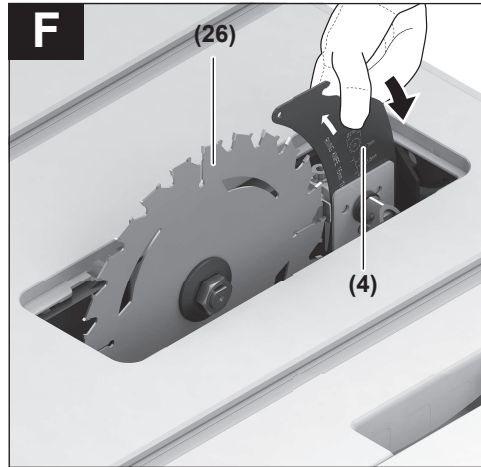
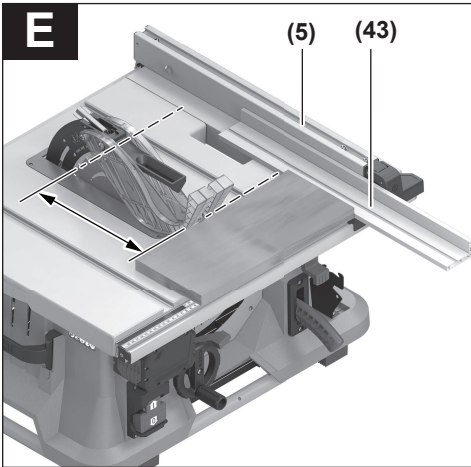


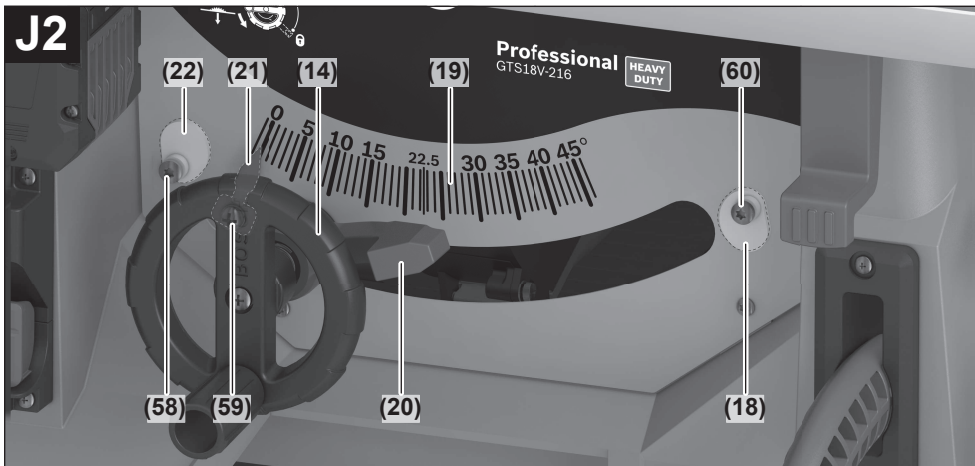
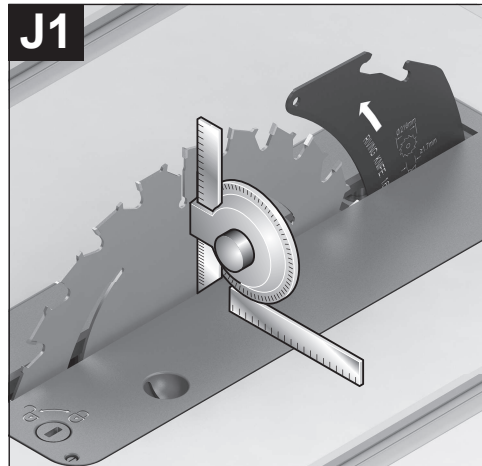
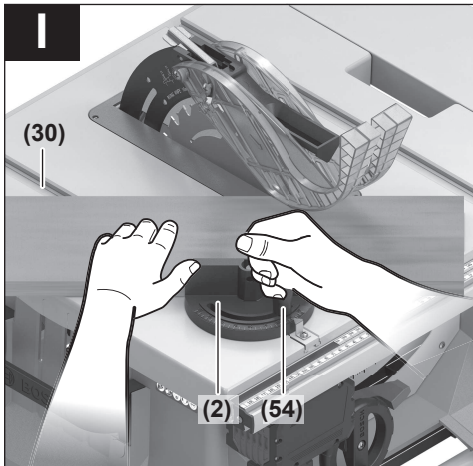
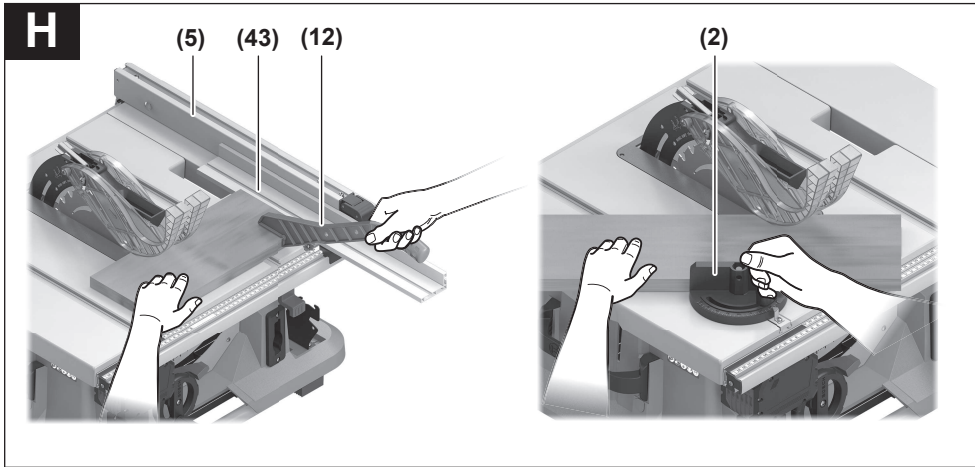


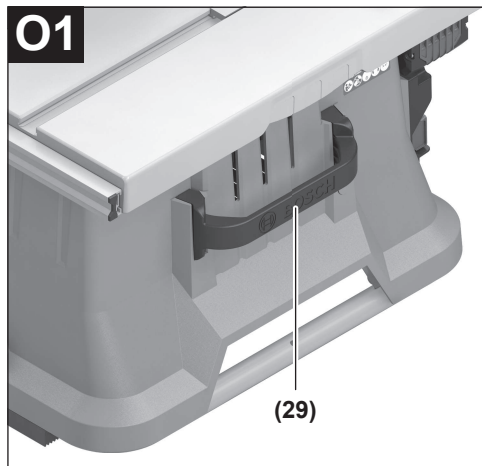
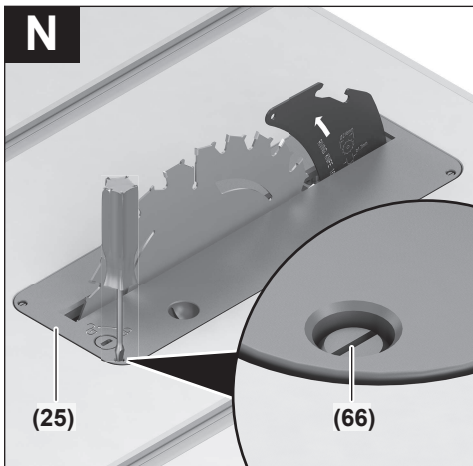
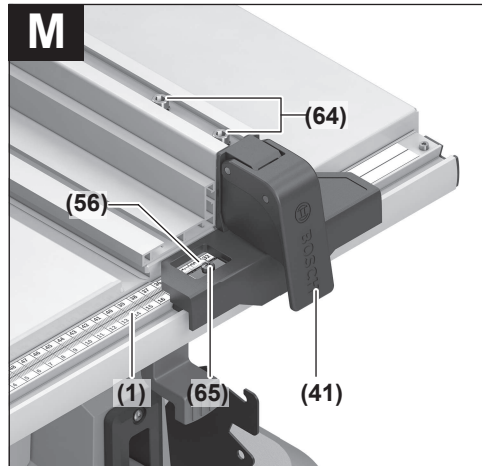
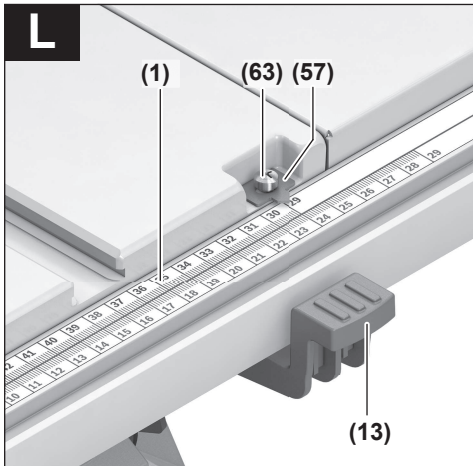
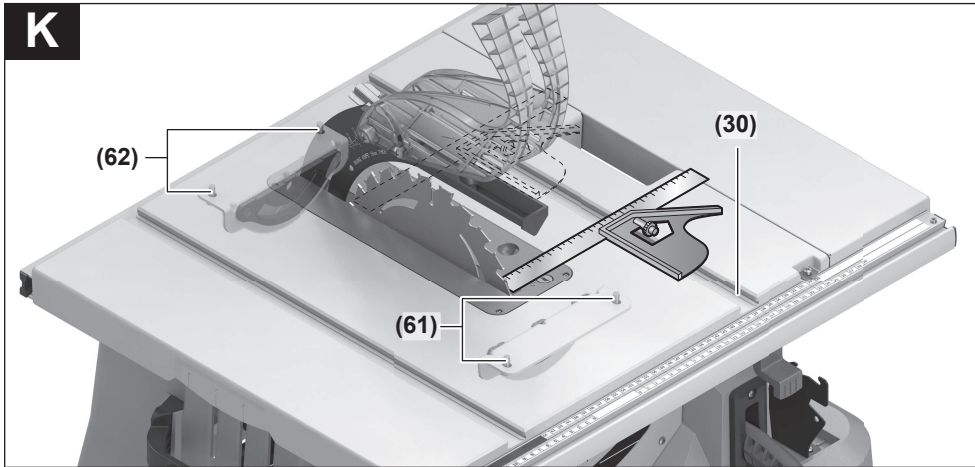


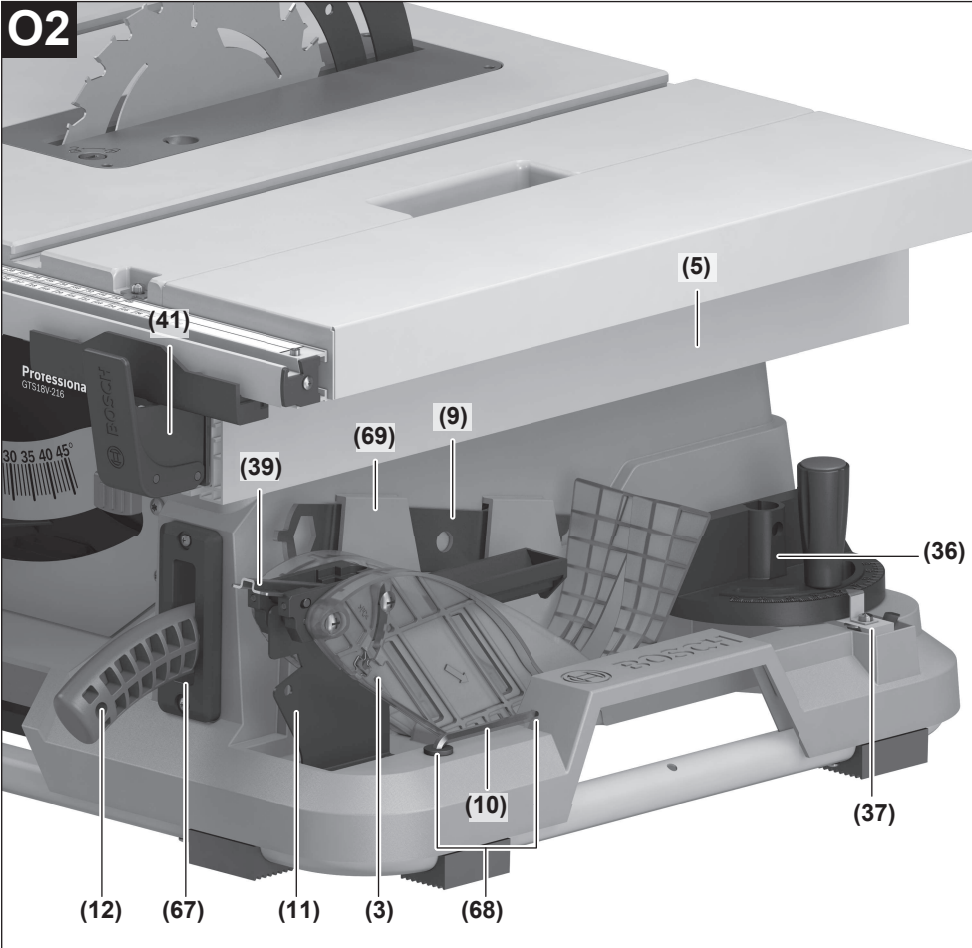












# English

## Safety instructions

### General Power Tool Safety Warnings

**⚠ WARNING** Read all safety warnings, instructions, illustrations and specifications provided with this power tool. Failure to follow all instructions listed below may result in electric shock, fire and/or serious injury.

**Save all warnings and instructions for future reference.**

The term "power tool" in the warnings refers to your mains-operated (corded) power tool or battery-operated (cordless) power tool.

#### Work area safety

- ▶ **Keep work area clean and well lit.** Cluttered or dark areas invite accidents.
- ▶ **Do not operate power tools in explosive atmospheres, such as in the presence of flammable liquids, gases or dust.** Power tools create sparks which may ignite the dust or fumes.
- ▶ **Keep children and bystanders away while operating a power tool.** Distractions can cause you to lose control.

#### Electrical safety

- ▶ **Power tool plugs must match the outlet. Never modify the plug in any way. Do not use any adapter plugs with earthed (grounded) power tools.** Unmodified plugs and matching outlets will reduce risk of electric shock.
- ▶ **Avoid body contact with earthed or grounded surfaces, such as pipes, radiators, ranges and refrigerators.** There is an increased risk of electric shock if your body is earthed or grounded.
- ▶ **Do not expose power tools to rain or wet conditions.** Water entering a power tool will increase the risk of electric shock.
- ▶ **Do not abuse the cord. Never use the cord for carrying, pulling or unplugging the power tool. Keep cord away from heat, oil, sharp edges or moving parts.** Damaged or entangled cords increase the risk of electric shock.
- ▶ **When operating a power tool outdoors, use an extension cord suitable for outdoor use.** Use of a cord suitable for outdoor use reduces the risk of electric shock.
- ▶ **If operating a power tool in a damp location is unavoidable, use a residual current device (RCD) protected supply.** Use of an RCD reduces the risk of electric shock.

#### Personal safety

- ▶ **Stay alert, watch what you are doing and use common sense when operating a power tool. Do not use a power tool while you are tired or under the influence of drugs, alcohol or medication.** A moment of inatten-

tion while operating power tools may result in serious personal injury.

- ▶ **Use personal protective equipment. Always wear eye protection.** Protective equipment such as a dust mask, non-skid safety shoes, hard hat or hearing protection used for appropriate conditions will reduce personal injuries.
- ▶ **Prevent unintentional starting. Ensure the switch is in the off-position before connecting to power source and/or battery pack, picking up or carrying the tool.** Carrying power tools with your finger on the switch or energising power tools that have the switch on invites accidents.
- ▶ **Remove any adjusting key or wrench before turning the power tool on.** A wrench or a key left attached to a rotating part of the power tool may result in personal injury.
- ▶ **Do not overreach. Keep proper footing and balance at all times.** This enables better control of the power tool in unexpected situations.
- ▶ **Dress properly. Do not wear loose clothing or jewellery. Keep your hair and clothing away from moving parts.** Loose clothes, jewellery or long hair can be caught in moving parts.
- ▶ **If devices are provided for the connection of dust extraction and collection facilities, ensure these are connected and properly used.** Use of dust collection can reduce dust-related hazards.
- ▶ **Do not let familiarity gained from frequent use of tools allow you to become complacent and ignore tool safety principles.** A careless action can cause severe injury within a fraction of a second.

#### Power tool use and care

- ▶ **Do not force the power tool. Use the correct power tool for your application.** The correct power tool will do the job better and safer at the rate for which it was designed.
- ▶ **Do not use the power tool if the switch does not turn it on and off.** Any power tool that cannot be controlled with the switch is dangerous and must be repaired.
- ▶ **Disconnect the plug from the power source and/or remove the battery pack, if detachable, from the power tool before making any adjustments, changing accessories, or storing power tools.** Such preventive safety measures reduce the risk of starting the power tool accidentally.
- ▶ **Store idle power tools out of the reach of children and do not allow persons unfamiliar with the power tool or these instructions to operate the power tool.** Power tools are dangerous in the hands of untrained users.
- ▶ **Maintain power tools and accessories. Check for misalignment or binding of moving parts, breakage of parts and any other condition that may affect the power tool's operation. If damaged, have the power tool repaired before use.** Many accidents are caused by poorly maintained power tools.

- ▶ **Keep cutting tools sharp and clean.** Properly maintained cutting tools with sharp cutting edges are less likely to bind and are easier to control.
- ▶ **Use the power tool, accessories and tool bits etc. in accordance with these instructions, taking into account the working conditions and the work to be performed.** Use of the power tool for operations different from those intended could result in a hazardous situation.
- ▶ **Keep handles and grasping surfaces dry, clean and free from oil and grease.** Slippery handles and grasping surfaces do not allow for safe handling and control of the tool in unexpected situations.

#### Battery tool use and care

- ▶ **Recharge only with the charger specified by the manufacturer.** A charger that is suitable for one type of battery pack may create a risk of fire when used with another battery pack.
- ▶ **Use power tools only with specifically designated battery packs.** Use of any other battery packs may create a risk of injury and fire.
- ▶ **When battery pack is not in use, keep it away from other metal objects, like paper clips, coins, keys, nails, screws or other small metal objects, that can make a connection from one terminal to another.** Shorting the battery terminals together may cause burns or a fire.
- ▶ **Under abusive conditions, liquid may be ejected from the battery; avoid contact. If contact accidentally occurs, flush with water. If liquid contacts eyes, additionally seek medical help.** Liquid ejected from the battery may cause irritation or burns.
- ▶ **Do not use a battery pack or tool that is damaged or modified.** Damaged or modified batteries may exhibit unpredictable behaviour resulting in fire, explosion or risk of injury.
- ▶ **Do not expose a battery pack or tool to fire or excessive temperature.** Exposure to fire or temperature above 130°C may cause explosion.
- ▶ **Follow all charging instructions and do not charge the battery pack or tool outside the temperature range specified in the instructions.** Charging improperly or at temperatures outside the specified range may damage the battery and increase the risk of fire.

#### Service

- ▶ **Have your power tool serviced by a qualified repair person using only identical replacement parts.** This will ensure that the safety of the power tool is maintained.
- ▶ **Never service damaged battery packs.** Service of battery packs should only be performed by the manufacturer or authorized service providers.

### Safety instructions for table saws

#### Guarding related warnings

- ▶ **Keep guards in place. Guards must be in working order and be properly mounted.** A guard that is loose,

damaged, or is not functioning correctly must be repaired or replaced.

- ▶ **Always use saw blade guard and riving knife for every through-cutting operation.** For through-cutting operations where the saw blade cuts completely through the thickness of the workpiece, the guard and other safety devices help reduce the risk of injury.
- ▶ **After completing a non-through cut such as rabbeting, restore the riving knife to the extended-up position. With the riving knife in the extended-up position, reattach the blade guard.** The guard and riving knife help to reduce the risk of injury.
- ▶ **Make sure the saw blade is not contacting the guard, riving knife or the workpiece before the switch is turned on.** Inadvertent contact of these items with the saw blade could cause a hazardous condition.
- ▶ **Adjust the riving knife as described in this instruction manual.** Incorrect spacing, positioning and alignment can make the riving knife ineffective in reducing the likelihood of kickback.
- ▶ **For the riving knife to work, it must be engaged in the workpiece.** The riving knife is ineffective when cutting workpieces that are too short to be engaged with the riving knife. Under these conditions, a kickback cannot be prevented by the riving knife.
- ▶ **Use the appropriate saw blade for the riving knife.** For the riving knife to function properly, the saw blade diameter must match the appropriate riving knife and the body of the saw blade must be thinner than the thickness of the riving knife and the cutting width of the saw blade must be wider than the thickness of the riving knife.

#### Cutting procedures warnings

- ▶ **⚠ DANGER: Never place your fingers or hands in the vicinity or in line with the saw blade.** A moment of inattention or a slip could direct your hand towards the saw blade and result in serious personal injury.
- ▶ **Feed the workpiece into the saw blade only against the direction of rotation.** Feeding the workpiece in the same direction that the saw blade is rotating above the table may result in the workpiece, and your hand, being pulled into the saw blade.
- ▶ **Never use the mitre gauge to feed the workpiece when ripping and do not use the rip fence as a length stop when cross cutting with the mitre gauge.** Guiding the workpiece with the rip fence and the mitre gauge at the same time increases the likelihood of saw blade binding and kickback.
- ▶ **When ripping, always keep the workpiece in full contact with the fence and always apply the workpiece feeding force between the fence and the saw blade. Use a push stick when the distance between the fence and the saw blade is less than 150 mm, and use a push block when this distance is less than 50 mm.** "Work helping" devices will keep your hand at a safe distance from the saw blade.



- ▶ **Use only the push stick provided by the manufacturer or constructed in accordance with the instructions.**

This push stick provides sufficient distance of the hand from the saw blade.

- ▶ **Never use a damaged or cut push stick.** A damaged or cut push stick may break causing your hand to slip into the saw blade.
- ▶ **Do not perform any operation “freehand”. Always use either the rip fence or the mitre gauge to position and guide the workpiece.** “Freehand” means using your hands to support or guide the workpiece, in lieu of a rip fence or mitre gauge. Freehand sawing leads to misalignment, binding and kickback.
- ▶ **Never reach around or over a rotating saw blade.** Reaching for a workpiece may lead to accidental contact with the moving saw blade.
- ▶ **Provide auxiliary workpiece support to the rear and/or sides of the saw table for long and/or wide workpieces to keep them level.** A long and/or wide workpiece has a tendency to pivot on the table’s edge, causing loss of control, saw blade binding and kickback.
- ▶ **Feed the workpiece at an even pace. Do not bend, twist or shift the workpiece from side to side. If jamming occurs, turn the tool off immediately, unplug the tool, then clear the jam.** Jamming the saw blade by the workpiece can cause kickback or stall the motor.
- ▶ **Do not remove pieces of cut-off material while the saw is running.** The material may become trapped between the fence or inside the saw blade guard and the saw blade pulling your fingers into the saw blade. Turn the saw off and wait until the saw blade stops before removing material.
- ▶ **Use an auxiliary fence in contact with the table top when ripping workpieces less than 2 mm thick.** A thin workpiece may wedge under the rip fence and create a kickback.

#### Kickback causes and related warnings

Kickback is a sudden reaction of the workpiece due to a pinched, jammed saw blade or misaligned line of cut in the workpiece with respect to the saw blade or when a part of the workpiece binds between the saw blade and the rip fence or other fixed object.

Most frequently during kickback, the workpiece is lifted from the table by the rear portion of the saw blade and is propelled towards the operator.

Kickback is the result of saw misuse and/or incorrect operating procedures or conditions and can be avoided by taking proper precautions as given below.

- ▶ **Never stand directly in line with the saw blade. Always position your body on the same side of the saw blade as the fence.** Kickback may propel the workpiece at high velocity towards anyone standing in front and in line with the saw blade.
- ▶ **Never reach over or in back of the saw blade to pull or to support the workpiece.** Accidental contact with the

saw blade may occur or kickback may drag your fingers into the saw blade.

- ▶ **Never hold and press the workpiece that is being cut off against the rotating saw blade.** Pressing the workpiece being cut off against the saw blade will create a binding condition and kickback.
- ▶ **Align the fence to be parallel with the saw blade.** A misaligned fence will pinch the workpiece against the saw blade and create kickback.
- ▶ **Use a featherboard to guide the workpiece against the table and fence when making non-through cuts such as rabbeting.** A featherboard helps to control the workpiece in the event of a kickback.
- ▶ **Support large panels to minimise the risk of saw blade pinching and kickback.** Large panels tend to sag under their own weight. Support(s) must be placed under all portions of the panel overhanging the table top.
- ▶ **Use extra caution when cutting a workpiece that is twisted, knotted, warped or does not have a straight edge to guide it with a mitre gauge or along the fence.** A warped, knotted, or twisted workpiece is unstable and causes misalignment of the kerf with the saw blade, binding and kickback.
- ▶ **Never cut more than one workpiece, stacked vertically or horizontally.** The saw blade could pick up one or more pieces and cause kickback.
- ▶ **When restarting the saw with the saw blade in the workpiece, centre the saw blade in the kerf so that the saw teeth are not engaged in the material.** If the saw blade binds, it may lift up the workpiece and cause kickback when the saw is restarted.
- ▶ **Keep saw blades clean, sharp, and with sufficient set. Never use warped saw blades or saw blades with cracked or broken teeth.** Sharp and properly set saw blades minimise binding, stalling and kickback.

#### Table saw operating procedure warnings

- ▶ **Turn off the table saw and disconnect the battery pack when removing the table insert, changing the saw blade or making adjustments to the riving knife or blade guard, and when the machine is left unattended.** Precautionary measures will avoid accidents.
- ▶ **Never leave the table saw running unattended. Turn it off and don’t leave the tool until it comes to a complete stop.** An unattended running saw is an uncontrolled hazard.
- ▶ **Locate the table saw in a well-lit and level area where you can maintain good footing and balance. It should be installed in an area that provides enough room to easily handle the size of your workpiece.** Cramped, dark areas, and uneven slippery floors invite accidents.
- ▶ **Frequently clean and remove sawdust from under the saw table and/or the dust collection device.** Accumulated sawdust is combustible and may self-ignite.
- ▶ **The table saw must be secured.** A table saw that is not properly secured may move or tip over.

- ▶ **Remove tools, wood scraps, etc. from the table before the table saw is turned on.** Distraction or a potential jam can be dangerous.
- ▶ **Always use saw blades with correct size and shape (diamond versus round) of arbour holes.** Saw blades that do not match the mounting hardware of the saw will run off-centre, causing loss of control.
- ▶ **Never use damaged or incorrect saw blade mounting means such as flanges, saw blade washers, bolts or nuts.** These mounting means were specially designed for your saw, for safe operation and optimum performance.
- ▶ **Never stand on the table saw, do not use it as a stepping stool.** Serious injury could occur if the tool is tipped or if the cutting tool is accidentally contacted.
- ▶ **Make sure that the saw blade is installed to rotate in the proper direction. Do not use grinding wheels, wire brushes, or abrasive wheels on a table saw.** Improper saw blade installation or use of accessories not recommended may cause serious injury.

### Additional safety warnings

- ▶ **When mounting the saw blade, wear protective gloves.** This poses a risk of injury.
- ▶ **Do not use HSS saw blades.** Such saw blades can easily break.
- ▶ **Only use saw blades that match the specifications given in this operating manual and that are tested and marked in accordance with EN 847-1**
- ▶ **Never use the tool without the table insert. Replace table insert if defective.** Without flawless table inserts, injuries are possible from the saw blade.
- ▶ **Keep your work area clean.** Material mixtures are particularly hazardous. Light metal dust may catch fire or explode.
- ▶ **Choose the saw blade suited to the material you want to work on.**
- ▶ **Only use saw blades that are recommended by the power tool manufacturer and are suitable for using on the material you want to saw.**
- ▶ **Only advance the workpiece towards the saw blade when it is running.** Otherwise there is a risk of kickback occurring if the saw blade catches in the workpiece.
- ▶ **In case of damage and improper use of the battery, vapours may be emitted. The battery can set alight or explode.** Ensure the area is well ventilated and seek medical attention should you experience any adverse effects. The vapours may irritate the respiratory system.
- ▶ **Do not open the battery.** There is a risk of short-circuiting.
- ▶ **The battery can be damaged by pointed objects such as nails or screwdrivers or by force applied externally.** An internal short circuit may occur, causing the battery to burn, smoke, explode or overheat.
- ▶ **Only use the battery with products from the manufacturer.** This is the only way in which you can protect the battery against dangerous overload.



**Protect the battery against heat, e.g. against continuous intense sunlight, fire, dirt, water and moisture.** There is a risk of explosion and short-circuiting.

## Symbols

The following symbols may be important for the operation of your power tool. Please take note of these symbols and their meaning. Correctly interpreting the symbols will help you to operate the power tool more effectively and safely.

### Symbols and their meaning



**Keep hands away from the cutting area while the power tool is running.** Contact with the saw blade can lead to injuries.



**Wear a dust mask.**



**Wear hearing protection.** Exposure to noise can cause hearing loss.

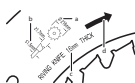


**Wear safety goggles.**

- 3 601 M44 000** Take note of the dimensions of the saw blade. The hole diameter must match the tool spindle without play. If it is necessary to use reducers, ensure that the dimensions of the reducer are suitable for the base blade thickness and the saw blade hole diameter, as well as the tool spindle diameter. Wherever possible, use the reducers provided with the saw blade.
- 3 601 M44 0K0**
- 3 601 M44 040**
- 
- 3 601 M44 0B0**
- 

The saw blade diameter must match the information specified on the symbol.

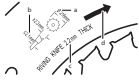
- 3 601 M44 000** **a** The saw blade must be no more than 216 mm in diameter.
- 3 601 M44 0K0** **b** When changing the saw blade, make sure that the cutting width is no smaller than 1.7 mm and the base blade thickness is no larger than 1.5 mm. Otherwise, there is a risk that the riving knife will hook into the workpiece.
- 3 601 M44 040** **c** The riving knife is 1.6 mm thick.
- d** The cutting direction of the teeth (direction of the arrow on the saw blade)



### Symbols and their meaning

must match the direction of the arrow on the riving knife.

**3 601 M44 0B0** a The saw blade must be no more than 216 mm in diameter.



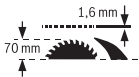
b When changing the saw blade, make sure that the cutting width is no smaller than 2.3 mm and the base blade thickness is no larger than 2.1 mm. Otherwise, there is a risk that the riving knife will hook into the workpiece.

c The riving knife is 2.2 mm thick.

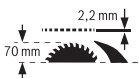
d The cutting direction of the teeth (direction of the arrow on the saw blade) must match the direction of the arrow on the riving knife.

**3 601 M44 000** The riving knife is 1.6 mm thick.

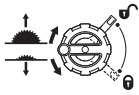
**3 601 M44 0K0**  
**3 601 M44 040** The maximum possible workpiece height is 70 mm.



**3 601 M44 0B0** The riving knife is 2.2 mm thick.



The maximum possible workpiece height is 70 mm.



#### Left-hand side:

Indicates the direction of rotation of the crank for lowering (**transport position**) and raising (**work position**) the saw blade.

#### Right-hand side:

Indicates the position of the locking lever for securing the saw blade and setting the bevel angle (saw blade can be swivelled).



The CE mark provides confirmation from the manufacturer that the power tool complies with the applicable EU Directives.

## Product Description and Specifications



### Read all the safety and general instructions.

Failure to observe the safety and general instructions may result in electric shock, fire and/or serious injury.

Please observe the illustrations at the beginning of this operating manual.

## Intended use

The power tool is a stationary machine for cutting in a straight line with and against the grain in hardwood, softwood, chipboard and fibreboard. Mitre angles of  $-30^\circ$  to  $+30^\circ$  as well as bevel angles of  $0^\circ$  to  $45^\circ$  are possible.

It is also possible to saw aluminium profiles and plastic using the appropriate saw blades.

## Product Features

The numbering of the product features refers to the diagram of the power tool on the graphics page.

- (1) Scale for spacing between saw blade and parallel guide
- (2) Angle guide
- (3) Protective cover
- (4) Riving knife
- (5) Parallel guide
- (6) Saw table expansion
- (7) Angle guide storage compartment
- (8) Mounting holes
- (9) Ring spanner (23 mm; 13 mm)
- (10) Hex key (5 mm)
- (11) Bracket for storing the protective cover
- (12) Push stick
- (13) Clamping handle for saw table expansion
- (14) Hand wheel
- (15) Crank for raising and lowering the saw blade
- (16) On/off switch
- (17) Battery<sup>a)</sup>
- (18) Stop for  $45^\circ$  bevel angle
- (19) Scale for bevel angles
- (20) Locking lever for setting the bevel angle
- (21) Angle indicator (vertical)
- (22) Stop for  $0^\circ$  bevel angle
- (23) Saw table
- (24) Adjusting screw for adjusting the clamping force of the parallel guide
- (25) Table insert
- (26) Saw blade
- (27) Guide groove for parallel guide
- (28) Battery release button<sup>a)</sup>
- (29) Carrying handle
- (30) Guide groove for angle guide
- (31) Dust extraction adapter
- (32) V guide groove on the saw table for the parallel guide
- (33) Base grid
- (34) Locking screw for base grid
- (35) Clamping lever/clamp markings

- (36) Clamping lever for riving knife
  - (37) Positioning pins for riving knife
  - (38) Table insert locking screw
  - (39) Clamping lever for protective cover
  - (40) Guide pin for protective cover
  - (41) Clamping handle for parallel guide
  - (42) V guide for parallel guide
  - (43) Additional parallel guide
  - (44) "Additional parallel guide" fastening set
  - (45) Guide rail for angle guide
  - (46) Lower saw blade cover
  - (47) Tab for lower saw blade cover
  - (48) Gripping hole for lifting the table insert
  - (49) Clamping nut
  - (50) Spindle locking lever
  - (51) Clamping flange
  - (52) Mounting flange
  - (53) Tool spindle
  - (54) Locking knob for all mitre angles
  - (55) Angle indicator on the angle guide
  - (56) Scale display
  - (57) Saw table spacing indicator
  - (58) Cross-head screw for setting the 0° stop
  - (59) Screw for bevel angle indicator
  - (60) Cross-head screw for setting the 45° stop
  - (61) Hex socket screws (5 mm) on the front for adjusting the parallelism of the saw blade
  - (62) Hex socket screws (5 mm) on the rear for adjusting the parallelism of the saw blade
  - (63) Screw for saw table spacing indicator
  - (64) Hex socket screws (5 mm) for adjusting the parallelism of the parallel guide
  - (65) Screw for parallel guide spacing indicator
  - (66) Adjusting screws for table insert
  - (67) Push stick storage compartment
  - (68) Hex key storage compartment
  - (69) Ring spanner storage compartment
- a) Accessories shown or described are not included with the product as standard. You can find the complete selection of accessories in our accessories range.

## Technical Data

Table saw		GTS 18V-216	GTS 18V-216
Article number		<b>3 601 M44 000</b> <b>3 601 M44 040</b> <b>3 601 M44 0K0</b>	<b>3 601 M44 0B0</b>
Rated voltage	V=	18	18
No-load speed <sup>A)</sup>	min <sup>-1</sup>	4500	4500
Starting current limitation		●	●
Weight according to EPTA-Procedure 01:2014 <sup>B)</sup>	kg	20.5–21.6	20.5–21.6
Recommended ambient temperature during charging	°C	0...+35	0...+35
Permitted ambient temperature during operation <sup>C)</sup> and during storage	°C	-20...+50	-20...+50
Compatible rechargeable batteries		GBA 18V... ProCORE18V...	GBA 18V... ProCORE18V...
Recommended rechargeable batteries for maximum performance		ProCORE18V... ≥ 5.5 Ah	ProCORE18V... ≥ 5.5 Ah
Recommended chargers		GAL 18... GAX 18... GAL 36...	GAL 18... GAX 18... GAL 36...
Dimensions (including detachable parts of the tool)			
Width x depth x height	mm	658 x 332 x 553	658 x 332 x 553
<b>Dimensions of suitable saw blades</b>			
Saw blade diameter	mm	216	216
Base blade thickness	mm	<1.5	1.5–2.1
Min. tooth thickness/offset	mm	>1.7	>2.3

Table saw		GTS 18V-216	GTS 18V-216
Hole diameter	mm	30	25.4

A) Measured at 20–25 °C with rechargeable battery **ProCORE18V 12.0Ah**.

B) Depends on battery in use

C) Limited performance at temperatures < 0 °C

Maximum workpiece dimensions: (see "Maximum workpiece dimensions", page 26)

Values can vary depending upon the product and are subject to application and environmental conditions. For further information [www.bosch-professional.com/wac](http://www.bosch-professional.com/wac).

## Noise information

Noise emission values determined according to **EN 62841-3-1**.

Typically, the A-weighted noise level of the power tool is: Sound pressure level **81** dB(A); sound power level **94** dB(A). Uncertainty K = **3** dB.

### Wear hearing protection!

The noise emission value given in these instructions has been measured in accordance with a standardised measuring procedure and may be used to compare power tools. It may also be used for a preliminary estimation of noise emissions.

The noise emission value given represents the main applications of the power tool. However, if the power tool is used for other applications, with different application tools or is poorly maintained, the noise emission value may differ. This may significantly increase noise emissions over the total working period.

To estimate noise emissions accurately, the times when the tool is switched off, or when it is running but not actually being used, should also be taken into account. This may significantly reduce noise emissions over the total working period.

## Rechargeable battery

**Bosch** sells some cordless power tools without a rechargeable battery. You can tell whether a rechargeable battery is included with the power tool by looking at the packaging.

### Charging the battery

► **Use only the chargers listed in the technical data.** Only these chargers are matched to the lithium-ion battery of your power tool.

**Note:** Lithium-ion rechargeable batteries are supplied partially charged according to international transport regulations. To ensure full rechargeable battery capacity, fully charge the rechargeable battery before using your tool for the first time.

### Inserting the Battery

Push the charged battery into the battery holder until it clicks into place.



**Bosch** recommends using battery packs with a capacity of at least 3.0 Ah.


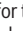
### Removing the Battery

To remove the rechargeable battery, press the battery release button and pull the battery out. **Do not use force to do this.**

The rechargeable battery has two locking levels to prevent the battery from falling out if the battery release button is pressed unintentionally. The rechargeable battery is held in place by a spring when fitted in the power tool.

### Battery charge indicator

The green LEDs on the battery charge indicator indicate the state of charge of the battery. For safety reasons, it is only possible to check the state of charge when the power tool is not in operation.

Press the button for the battery charge indicator  or  to show the state of charge. This is also possible when the battery is removed.

If no LED lights up after pressing the button for the battery charge indicator, then the battery is defective and must be replaced.

#### Battery model GBA 18V...



LED	Capacity
3 × continuous green light	60–100 %
2 × continuous green light	30–60 %
1 × continuous green light	5–30 %
1 × flashing green light	0–5 %

#### Battery model ProCORE18V...



LED	Capacity
5 × continuous green light	80–100 %
4 × continuous green light	60–80 %
3 × continuous green light	40–60 %
2 × continuous green light	20–40 %

LED	Capacity
1 × continuous green light	5–20 %
1 × flashing green light	0–5 %

### Recommendations for Optimal Handling of the Battery

Protect the battery against moisture and water.

Only store the battery within a temperature range of –20 to 50 °C. Do not leave the battery in your car in the summer, for example.

Occasionally clean the ventilation slots on the battery using a soft brush that is clean and dry.

A significantly reduced operating time after charging indicates that the battery has deteriorated and must be replaced. Follow the instructions on correct disposal.

### Assembly

- **Remove the battery from the power tool before carrying out work on the power tool (e.g. maintenance, changing tool, etc.). The battery should also be removed for transport and storage.** There is risk of injury from unintentionally pressing the on/off switch.

#### Items included

Check to ensure that all the parts listed below have been supplied before using the power tool for the first time:

- Table saw with fitted saw blade (26) and riving knife (4)
- Angle guide (2)
- Parallel guide (5)
- Additional parallel guide (43)
- "Additional parallel guide" fastening set (44) (2 fastening screws, 2 washers, 2 wing nuts)
- Protective cover (3)
- Hex key (10)
- Ring spanner (9) with slotted screwdriver tip
- Push stick (12)
- Table insert (25)

**Note:** Check the power tool for possible damage. Before continuing to use the power tool, carefully check that all protective devices or slightly damaged parts are working perfectly and according to specifications. Check that the moving parts are working perfectly and without jamming; check whether any parts are damaged. All parts must be fitted correctly and all the conditions necessary to ensure smooth operation must be met.

If the protective devices or any parts become damaged, you must have them properly repaired or replaced by an authorised service centre.

#### Extra tools required (not included in the delivery):

- Cross-headed screwdriver
- Angle gauge

### Fitting individual components

- Carefully remove all parts included in the delivery from their packaging.
- Remove all packing material from the power tool and the accessories provided.
- Turn the locking screws (34) as far as possible in the "Unlock" direction using the tip of the ring spanner (9) and open the base grid (33) (see figure a).  
Remove the packing material under the motor block.

The following tool elements are attached directly to the tool housing: Push stick (12), ring spanner (9), hex key (10), parallel guide (5), angle guide (2), extraction adapter (31), additional parallel guide (43) with fastening set (44), protective cover (3).

- If you require one of these parts, remove it carefully from its storage location.

#### Positioning the riving knife (see figures b1–b2)

**Note:** If necessary, clean all parts to be fitted before you position them.

- Turn the crank (15) clockwise as far as possible so that the saw blade (26) is in the highest possible position above the saw table.
- Release the clamping lever (36) clockwise until it points upwards.
- Slide the riving knife (4) towards the clamping lever (36) until it can be pulled upwards.
- Pull the riving knife all the way up until it is positioned exactly over the centre of the saw blade.
- Allow both pins (37) to engage in the lower bore holes in the riving knife and then retighten the clamping lever (36).

The markings (35) on the clamp and clamping lever (36) must be aligned as shown.

#### Fitting the table insert (see figure c)

- Place the table insert (25) over the riving knife (4) and into the tool chamber.
- Turn the locking screw (38) as far as it will go in the "Lock" direction using the tip of the ring spanner (9).

The front side of the table insert (25) must lie flush with or a little below the saw table; the rear must lie flush with or a little above the saw table.

#### Fitting the protective cover (see figures d1–d2)

**Note:** Only fit the protective cover when the riving knife is in the top position directly over the centre of the saw blade (see figure b2). Do not fit the protective cover when the riving knife is in the bottom position (position when delivered/position for sawing grooves) (see figure b1).

- Loosen the clamping lever (39) and remove the protective cover (3) from the bracket (11).
- Hold the saw blade guard (upper metal rail) of the protective cover (3) with one hand, while using the other hand to move the clamping lever (39) up.
- Push the guide pin (40) backwards into the groove on the riving knife (4).

- Move the protective cover (3) down until the saw blade guard (upper metal rail) is **parallel** with the surface of the saw table (23).
- Push the clamping lever (39) down. The clamping lever must be felt and heard to engage; the protective cover (3) must be securely and safely fitted.
- ▶ **Always check that the blade guard can move properly before use. Do not use the power tool if the blade guard cannot move freely and does not close immediately.**

#### Fitting the parallel guide (see figure e)

The parallel guide (5) can be positioned on either the left or the right of the saw blade.

- Loosen the clamping handle (41) of the parallel guide (5). This lightens the load on the V guide (42).
- First insert the parallel guide with the V guide into the guide groove (32) of the saw table. Then position the parallel guide in the front guide groove (27) of the saw table. The parallel guide can now be moved freely.
- To secure the parallel guide, push the clamping handle (41) down.

#### Fitting the additional parallel guide (see figure f)

To saw narrow workpieces and bevel angles, you must fit the additional parallel guide (43) on the parallel guide (5).

The additional parallel guide can be fitted on the left or right of the parallel guide (5) as required.

Use the "additional parallel guide" fastening set (44) (two fastening screws, two washers, two wing nuts) for fitting the guide.

- Slide the fastening screws through the lateral holes on the parallel guide (5).
- The heads of the screws are used to guide the additional parallel guide.
- Slide the additional parallel guide (43) over the heads of the fastening screws.
- Place the washers on the fastening screws and tighten the screws using the wing nuts.

#### Fitting the angle guide (see figure g)

- Push the rail (45) of the angle guide (2) into one of the guide grooves (30) provided in the saw table.

#### Stationary or flexible mounting

- ▶ **To ensure safe handling, the power tool must be mounted on a flat, stable work surface (e.g. work bench) before use.**

#### Mounting on a work surface (see figure h)

- Use suitable screw fasteners to secure the power tool to the work surface. The holes (8) are used for this purpose.

#### Mounting on a Bosch saw stand (see figure i)

Thanks to their height-adjustable legs, Bosch saw stands (e.g. GTA 560) provide firm support for the power tool on any surface.

- ▶ **Read all the warnings and instructions included with the saw stand.** Failure to observe the warnings and follow instructions may result in electric shock, fire and/or serious injury.
- ▶ **Assemble the saw stand properly before mounting the power tool.** Correct assembly is important to prevent the risk of collapsing.
  - Mount the power tool on the saw stand in the transport position.

#### Dust/chip extraction

The dust from materials such as lead paint, some types of wood, minerals and metal can be harmful to human health. Touching or breathing in this dust can trigger allergic reactions and/or cause respiratory illnesses in the user or in people in the near vicinity.

Certain dusts, such as oak or beech dust, are classified as carcinogenic, especially in conjunction with wood treatment additives (chromate, wood preservative). Materials containing asbestos may only be machined by specialists.

- Use a dust extraction system that is suitable for the material wherever possible.
- Provide good ventilation at the workplace.
- It is advisable to wear a P2 filter class breathing mask.

The regulations on the material being machined that apply in the country of use must be observed.

- ▶ **Avoid dust accumulation at the workplace.** Dust can easily ignite.

The dust/chip extraction system can be blocked by dust, chips or fragments of the workpiece.

- Switch the power tool off and remove the battery.
- Wait until the saw blade has come to a complete stop.
- Determine the cause of the blockage and eliminate it.

- ▶ **To prevent the risk of fire when sawing aluminium, empty the lower saw blade cover and do not use chip extraction.**

#### Cleaning the lower saw blade cover (see figure j)

You can open the lower saw blade cover (46) to remove workpiece fragments and large chips.

- Switch the power tool off and remove the battery from the power tool.
- Wait until the saw blade has come to a complete stop.
- Tilt the power tool sideways.
- Open the base grid (33) (see figure a).
- Gently pull apart the tabs (47) of the lower saw blade cover and open the lower saw blade cover (46).
- Remove workpiece fragments and chips.
- Close the lower saw blade cover (46) again, making sure that the tabs click into place (47).
- Close the base grid (33).
- Bring the power tool into the work position.

#### External dust extraction (see figure k)

- Firmly insert a suitable dust extraction hose into the dust extraction adapter (31).

The dust extractor must be suitable for the material being worked.

When extracting dry dust that is especially detrimental to health or carcinogenic, use a special dust extractor.

### Changing the saw blade (see figures I1–I4)

- ▶ **Remove the battery from the power tool before carrying out work on the power tool (e.g. maintenance, changing tool, etc.). The battery should also be removed for transport and storage.** There is risk of injury from unintentionally pressing the on/off switch.
- ▶ **When mounting the saw blade, wear protective gloves.** This poses a risk of injury.
- ▶ **Only use saw blades the maximum permitted speed of which is higher than the no-load speed of the power tool.**
- ▶ **Only use saw blades that match the specifications given in this operating manual and that are tested and marked in accordance with EN 847-1**
- ▶ **Only use saw blades that are recommended by the power tool manufacturer and are suitable for use on the material you want to saw.** This prevents the saw tooth tips from overheating and the plastic you want to saw from melting.
- ▶ **Do not use HSS saw blades.** Such saw blades can easily break.

### Removing the saw blade

- Open the clamping lever (39) and pull the protective cover (3) out of the groove on the riving knife (4).
- Turn the locking screw (38) as far as possible in the "Unlock" direction using the tip of the ring spanner (9) and lift the table insert (25) out of the tool chamber. A gripping hole (48) is integrated into the tool for ease of lifting.
- Turn the crank (15) clockwise as far as possible so that the saw blade (26) is in the highest possible position above the saw table.
- Turn the clamping nut (49) using the ring spanner (9) while pulling the spindle locking lever (50) until it engages.
- Keep pulling the spindle locking lever and unscrew the clamping nut anticlockwise.
- Remove the clamping flange (51).
- Remove the saw blade (26).

### Fitting the saw blade

- If necessary, clean all the parts you want to fit before installing them.
- Place the new saw blade on the mounting flange (52) of the tool spindle (53).

**Note:** Use sufficiently large saw blades. The radial clearance between the saw blade and the riving knife must not exceed 3–8 mm (max.).

- ▶ **When fitting the saw blade, make sure that the cutting direction of the teeth (direction of the arrow on the**

**saw blade) matches the direction of the arrow on the riving knife.**

- Fit the clamping flange (51) and the clamping nut (49).
- Turn the clamping nut (49) using the ring spanner (9) while pulling the spindle locking lever (50) until it engages.
- Tighten the clamping nut by turning it clockwise.
- Place the table insert (25) over the riving knife (4) and into the tool chamber. Turn the locking screw (38) as far as it will go in the "Lock" direction using the tip of the ring spanner (9).
- Refit the protective cover (3).

## Operation

- ▶ **Remove the battery from the power tool before carrying out work on the power tool (e.g. maintenance, changing tool, etc.). The battery should also be removed for transport and storage.** There is risk of injury from unintentionally pressing the on/off switch.

### Transport position and work position of the saw blade

#### Transport position

- Remove the protective cover (3), remove the table insert (25) and place the riving knife (4) in the bottom position. Reinsert the table insert (25).
- Turn the crank (15) anticlockwise until the teeth of the saw blade (26) lie below the saw table (23).
- Push the saw table expansion (6) in fully. Push the clamping handle (13) down. This fixes the saw table expansion in place.

#### Work position

- Position the riving knife (4) in the top position directly over the centre of the saw blade, insert the table insert (25) and fit the protective cover (3).
- Turn the crank (15) clockwise until the top teeth of the saw blade (26) are approx. 3–6 mm above the workpiece.

### Extending the saw table

The free end of long and heavy workpieces must have something placed underneath it or be supported.

#### Saw table expansion (see figure A)

The saw table expansion (6) increases the width of the saw table (23) on the right.

- Pull the clamping handle (13) for the saw table expansion all the way up.
- Pull out the saw table expansion (6) to the required length.
- Push the clamping handle (13) down. This fixes the saw table expansion in place.



## Setting mitre and bevel angles

To ensure precise cuts, the basic settings of the power tool must be checked and adjusted as necessary after intensive use.

### Setting Bevel Angles (saw blade) (see figure B)

The bevel angle can be set between 0° and 45°.

- Loosen the locking lever (20) by turning it anticlockwise.

**Note:** When the locking lever is fully loosened, gravity causes the saw blade to tilt into a position that corresponds to approximately 30°.

- Pull or push the hand wheel (14) along the slotted link until the angle indicator (21) shows the required bevel angle.
- Hold the hand wheel in this position and retighten the locking lever (20).

**For quick and precise setting of the standard bevel angles of 0° and 45°**, there are pre-set stops ((22)), ((18)).

### Setting mitre angles (angle guide) (see figure C)

The mitre angle can be set between 30° (left-hand side) and 30° (right-hand side).

- Loosen the locking knob (54) if it is tightened.
- Turn the angle guide until the angle indicator (55) shows the required mitre angle.
- Retighten the locking knob (54).

## Adjusting the parallel guide

The parallel guide (5) can be positioned on either the left (black scale) or the right (silver scale) of the saw blade. The marking in the scale display (56) shows the set distance between the parallel guide and the saw blade on the scale (1).

Position the parallel guide on the required side of the saw blade (see "Fitting the parallel guide (see figure e)", page 23).

### Adjusting the parallel guide when the saw table is not pulled out

- Loosen the clamping handle (41) of the parallel guide (5). Move the parallel guide until the marking in the scale display (56) indicates the required distance from the saw blade.  
When the saw table is not pulled out, the lower marking on the silver scale (1) applies.
- To secure it in place, push the clamping handle (41) back down.

### Adjusting the parallel guide when the saw table is pulled out (see figure D)

- Position the parallel guide on the right of the saw blade. Move the parallel guide until the marking in the scale display (56) shows 29 cm on the lower scale.  
To secure it in place, push the clamping handle (41) back down.
- Pull the clamping handle (13) for the saw table expansion all the way up.

- Pull out the saw table expansion (6) until the spacing indicator (57) shows the required distance from the saw blade on the upper scale.
- Push the clamping handle (13) down.  
This fixes the saw table expansion in place.

## Adjusting the additional parallel guide (see figure E)

**To saw narrow workpieces and bevel angles**, you must fit the additional parallel guide (43) on the parallel guide (5).

The additional parallel guide can be fitted on the left or right of the parallel guide (5) as required.

When sawing, workpieces can become jammed between the parallel guide and the saw blade, caught in the saw blade as it rises and ejected.

You should therefore set the additional parallel guide so that the end of the guide is between the front tooth of the saw blade and the front edge of the riving knife.

- To do so, loosen all wing nuts of the fastening set (44) and move the additional parallel guide until only the front two screws are used for attachment.
- Retighten the wing nuts.

## Adjusting the riving knife

The riving knife (4) prevents the saw blade (26) from becoming jammed in the kerf. Otherwise there is a risk of kick-back occurring if the saw blade catches in the workpiece. It is therefore important to ensure that the riving knife is set up correctly:

- The radial clearance between the saw blade and the riving knife must not exceed 3–8 mm (max.).
- The thickness of the riving knife must be smaller than the cutting width and larger than the base blade thickness.
- The riving knife must always be aligned with the saw blade.
- For normal cuts, the riving knife must always be in the highest possible position.

### Adjusting the riving knife height (see figure F)

The height of the riving knife must be adjusted in order to saw grooves.

- ▶ **Only use the power tool for grooving or routing if a suitable protective guard (e.g. tunnel blade guard, featherboard) is in place.**
- Open the clamping lever (39) and pull the protective cover (3) out of the groove on the riving knife (4).  
To prevent damage to the protective guard, store it in the bracket (11) provided on the housing (see figure O2).
- Turn the crank (15) clockwise as far as possible so that the saw blade (26) is in the highest possible position above the saw table.
- Release the clamping lever (36) clockwise until it points upwards.
- Pull the riving knife off the pins (37) (pull the clamping lever (36) outwards slightly) and push the riving knife (4) down as far as possible.

- Allow both pins **(37)** to engage in the upper bore holes in the riving knife and then retighten the clamping lever **(36)**.  
The markings **(35)** on the clamp and clamping lever **(36)** must be aligned as shown.

### Start-up

#### Switching on (see figure G1)

- To start the tool, squeeze both sides of the on/off switch **(16)** and pull it upwards.

#### Switching off (see figure G2)

- Press the on/off switch **(16)** all the way downwards.

#### Protection against unauthorised use (see figure G3)

To protect against unauthorised use, you can lock the on/off switch **(16)** with a padlock.

- Push a padlock with a long shackle through the hole in the on/off switch **(16)** and lock it.

### Practical advice

#### General sawing instructions

- ▶ **Before making any cuts, first make sure that the saw blade cannot come into contact with the stops or any other parts of the tool at any time.**
- ▶ **Only use the power tool for grooving or routing if a suitable protective guard (e.g. tunnel blade guard, featherboard) is in place.**
- ▶ **Do not use the power tool for cutting slots (stopped grooves).**

Protect the saw blade against impact and shock. Do not subject the saw blade to lateral pressure.

The riving knife must be aligned with the saw blade in order to prevent the workpiece from jamming.

Do not saw workpieces that have become bent or twisted out of shape. The workpiece must always have a straight edge to face against the parallel guide.

Always store the push stick on the power tool.

#### Position of the operator (see figure H)

- ▶ **Never stand directly in line with the saw blade. Always position your body on the same side of the saw blade as the fence.** Kickback may propel the workpiece at high velocity towards anyone standing in front and in line with the saw blade.
- Keep hands, fingers and arms away from the rotating saw blade.

Pay attention to the following instructions:

- Hold the workpiece firmly with both hands and press it securely against the saw table.
- When using narrow workpieces or sawing bevel angles, always use the push stick **(12)** and the additional parallel guide **(43)** provided.

### Maximum workpiece dimensions

Bevel angle	max. height of the workpiece [mm]
0°	70
45°	50

### Sawing

#### Making straight cuts

- Adjust the parallel guide **(5)** to the desired cutting width.
- Place the workpiece on the saw table in front of the protective cover **(3)**.
- Use the crank **(15)** to raise or lower the saw blade as far up or down as needed to position the top teeth of the saw blade **(26)** approx. 3–6 mm above the workpiece.
- Switch on the power tool.
- Saw through the workpiece applying uniform feed.  
If you apply too much pressure, the tip of the saw blade could overheat and damage the workpiece.
- Switch off the power tool and wait until the saw blade has come to a complete stop.

#### Sawing a bevel angle

- Set the required saw blade bevel angle.  
If the saw blade is tilted to the left, the parallel guide **(5)** must be to the right of the blade.
- Follow the work steps set out in the (see "Making straight cuts", page 26) section

#### Sawing mitre angles (see figure I)

- Set the desired mitre angle on the angle guide **(2)**.
- Place the workpiece against the angle guide **(2)**.
- Raise or lower the saw blade using the crank **(15)** until the upper saw teeth lie approx. 5 mm above the surface of the workpiece.
- Switch the power tool on.
- Hold the workpiece against the angle guide with one hand; place your other hand on the locking knob **(54)** and slide the angle guide slowly forwards in the guide groove **(30)**.
- Switch off the power tool and wait until the saw blade has come to a complete stop.

### Checking and adjusting the basic settings

To ensure precise cuts, the basic settings of the power tool must be checked and adjusted as necessary after intensive use.

Experience and suitable special tools are required for this.

A Bosch after-sales service point will handle this work quickly and reliably.

#### Adjusting the stops for a standard bevel angle 0°/45°

- Bring the power tool into the work position.
- Set the saw blade to a bevel angle of 0°.
- Remove the blade guard **(3)**.

**Checking (see figure J1)**

- Remove the table insert **(25)** (see "Fitting the table insert (see figure c)", page 22).
- Set an angle gauge to 90° and place it on the saw table **(23)**.

The leg of the angle gauge must be flush with the saw blade **(26)** along its entire length.

**Setting (see figure J2)**

- Loosen the screw **(58)**. This enables the 0° stop **(22)** to be moved.
- Loosen the locking lever **(20)**.
- Slide the hand wheel **(14)** towards the 0° stop until the leg of the angle gauge is flush with the saw blade along its entire length.
- Hold the hand wheel in this position and retighten the locking lever **(20)**.
- Retighten the screw **(58)**.
- Refit the table insert **(25)** (see "Fitting the table insert (see figure c)", page 22).

If the angle indicator **(21)** is not aligned with the 0° mark on the scale **(19)** following adjustment, loosen the screw **(59)** using a conventional cross-headed screwdriver and align the angle indicator along the 0° mark.

Repeat the above work steps for the bevel angle of 45° (loosen the screw **(60)**; move the 45° stop **(18)**). The angle indicator **(21)** must not be repositioned when doing this.

**Parallelism of the saw blade with the guide grooves of the angle guide (see figure K)**

- Bring the power tool into the work position.
- Remove the blade guard **(3)**.

**Checking**

- Use a pencil to mark the first left-hand saw tooth that is visible at the back above the table insert.
- Set an angle gauge to 90° and place it on the edge of the guide groove **(30)**.
- Move the leg of the angle gauge until it touches the marked saw tooth and read the distance between the saw blade and the guide groove.
- Turn the saw blade until the marked tooth at the front lies above the table insert.
- Move the angle gauge along the guide groove up to the marked saw tooth.
- Measure the distance between the saw blade and the guide groove again.

The two measured distances must be identical.

**Setting**

- Loosen the hex socket screws **(61)** at the front beneath the saw table and the hex socket screws **(62)** at the rear beneath the saw table using the hex key **(10)** provided.
- Carefully move the saw blade until it lies parallel with the guide groove **(30)**.
- Retighten all screws **(61)** and **(62)**.

**Adjusting the saw table spacing indicator (see figure L)**

- Position the parallel guide on the right of the saw blade. Move the parallel guide until the marking in the scale display **(56)** shows 29 cm on the lower scale. To secure it in place, push the clamping handle **(41)** back down.
- Pull the clamping handle **(13)** all the way up and pull the saw table expansion **(6)** out as far as possible.

**Checking**

The upper scale **(1)** of the spacing indicator **(57)** must show the same value as the marking in the scale display **(56)** on the lower scale **(1)**.

**Setting**

- Pull the saw table expansion **(6)** out fully.
- Loosen the screw **(63)** with a cross-headed screwdriver and align the spacing indicator **(57)** along the 29 cm mark on the upper scale **(1)**.

**Adjusting the parallelism of the parallel guide (see figure M)**

- Bring the power tool into the work position.
- Remove the blade guard **(3)**.
- Loosen the clamping handle **(41)** of the parallel guide and move it until it touches the saw blade.

**Checking**

The parallel guide **(5)** must touch the saw blade along its entire length.

**Setting**

- Loosen the hex socket screws **(64)** using the hex key **(10)** provided.
- Carefully move the parallel guide **(5)** until it touches the saw blade along its entire length.
- Hold the parallel guide in this position and push the clamping handle **(41)** down again.
- Retighten the hex socket screws **(64)**.

**Adjusting the clamping force of the parallel guide**

The clamping force of the parallel guide **(5)** can deteriorate after frequent use.

- Tighten the adjusting screw **(24)** until the parallel guide can be securely fixed to the saw table again.

**Setting the scale display of the parallel guide (see figure M)**

- Bring the power tool into the work position.
- Remove the protective cover **(3)**.
- Move the parallel guide **(5)** from the right until it touches the saw blade.

**Checking**

The marking in the scale display **(56)** must be in line with the 0 mm mark on the scale **(1)**.

**Setting**

- Loosen the screw **(65)** using a cross-headed screwdriver and align the marking along the 0 mm mark.

### Adjusting the level of the table insert (see figure N) Checking

The front side of the table insert (25) must lie flush with or a little below the saw table; the rear must lie flush with or a little above the saw table.

#### Setting

- Use the tip of the ring spanner (9) to set the adjusting screws (66) to the correct level.

### Storage and transport

#### Storing tool elements (see figures O1 – O2)

You can attach certain tool elements to the power tool to store them.

- Detach the additional parallel guide (43) from the parallel guide (5).
- Place all loose components of the tool in their storage compartments on the housing (see the following table).

Tool element	Storage compartment
Parallel guide (5)	Turn around, suspend from below in the guide rails and secure the clamping handle (41)
Push stick (12)	Place in the storage compartment (67)
Protective cover (3)	Place in the recess on the bracket (11) and secure using the clamping lever (39)
Hex key (10)	Place in the storage compartment (68)
Ring spanner (9)	Place in the storage compartment (69)
Angle guide (2)	Place in the storage compartment (7)
Additional parallel guide (43)	Push into the groove at the back of the parallel guide (5) and tighten using the wing bolts

#### Transporting the power tool

- ▶ **Remove the battery from the power tool before carrying out work on the power tool (e.g. maintenance, changing tool, etc.). The battery should also be removed for transport and storage.** There is risk of injury from unintentionally pressing the on/off switch.

Before transporting the power tool, the following steps must be carried out:

- Bring the power tool into the transport position (see "Transport position", page 24).
- Remove all accessories that cannot be securely fitted to the power tool.  
If possible, transport unused saw blades in a closed container.
- Slide the saw table expansion (6) in fully and push the clamping handle (13) downwards to secure it in place.
- Use the carrying handles (29) to lift or transport the tool.

- ▶ **Only use the transport devices to transport the power tool and never the protective devices.**

## Maintenance and Service

### Maintenance and Cleaning

- ▶ **Remove the battery from the power tool before carrying out work on the power tool (e.g. maintenance, changing tool, etc.). The battery should also be removed for transport and storage.** There is risk of injury from unintentionally pressing the on/off switch.
- ▶ **To ensure safe and efficient operation, always keep the power tool and the ventilation slots clean.**

#### Cleaning

Always remove dust and chips after working by blowing out with compressed air or using a brush.

#### Noise reduction measures

Measures implemented by the manufacturer:

- Soft start
- Provided with a saw blade specially developed for noise reduction

Measures implemented by the operator:

- Low-vibration mounting on a stable work surface
- Use of saw blades with noise-reducing functions
- Regular cleaning of the saw blade and power tool

### After-Sales Service and Application Service

Our after-sales service responds to your questions concerning maintenance and repair of your product as well as spare parts. You can find explosion drawings and information on spare parts at: [www.bosch-pt.com](http://www.bosch-pt.com)

The Bosch product use advice team will be happy to help you with any questions about our products and their accessories.

In all correspondence and spare parts orders, please always include the 10-digit article number given on the nameplate of the product.

#### Malaysia

Robert Bosch Sdn. Bhd.(220975-V) PT/SMY  
No. 8A, Jalan 13/6  
46200 Petaling Jaya  
Selangor  
Tel.: (03) 79663194  
Toll-Free: 1800 880188  
Fax: (03) 79583838  
E-Mail: [kiathoe.chong@my.bosch.com](mailto:kiathoe.chong@my.bosch.com)  
[www.bosch-pt.com.my](http://www.bosch-pt.com.my)

#### You can find further service addresses at:

[www.bosch-pt.com/serviceaddresses](http://www.bosch-pt.com/serviceaddresses)

### Transport

The recommended lithium-ion batteries are subject to legislation on the transport of dangerous goods. The user can transport the batteries by road without further requirements.

When shipping by third parties (e.g.: by air transport or forwarding agency), special requirements on packaging and labelling must be observed. For preparation of the item being shipped, consulting an expert for hazardous material is required.

Dispatch battery packs only when the housing is undamaged. Tape or mask off open contacts and pack up the battery in such a manner that it cannot move around in the packaging. Please also observe the possibility of more detailed national regulations.

### Disposal



Power tools, rechargeable batteries, accessories and packaging should be sorted for environmental-friendly recycling.



Do not dispose of power tools and batteries/rechargeable batteries into household waste!

### Battery packs/batteries:

#### Li-ion:

Please observe the notes in the section on transport (see "Transport", page 28).

## Français

### Consignes de sécurité

#### Avertissements de sécurité généraux pour l'outil électrique

##### **⚠ AVERTISSEMENT**

**Lire tous les avertissements de sécurité, les instructions, les illustrations et les spécifications fournis avec cet outil électrique.**

Ne pas suivre les instructions énumérées ci-dessous peut provoquer un choc électrique, un incendie et/ou une blessure sérieuse.

##### **Conserver tous les avertissements et toutes les instructions pour pouvoir s'y reporter ultérieurement.**

Le terme "outil électrique" dans les avertissements fait référence à votre outil électrique alimenté par le secteur (avec cordon d'alimentation) ou votre outil électrique fonctionnant sur batterie (sans cordon d'alimentation).

#### Sécurité de la zone de travail

- ▶ **Conserver la zone de travail propre et bien éclairée.**  
Les zones en désordre ou sombres sont propices aux accidents.
- ▶ **Ne pas faire fonctionner les outils électriques en atmosphère explosive, par exemple en présence de liquides inflammables, de gaz ou de poussières.** Les outils électriques produisent des étincelles qui peuvent enflammer les poussières ou les fumées.

- ▶ **Maintenir les enfants et les personnes présentes à l'écart pendant l'utilisation de l'outil électrique.** Les distractions peuvent vous faire perdre le contrôle de l'outil.

#### Sécurité électrique

- ▶ **Il faut que les fiches de l'outil électrique soient adaptées au socle. Ne jamais modifier la fiche de quelque façon que ce soit. Ne pas utiliser d'adaptateurs avec des outils électriques à branchement de terre.** Des fiches non modifiées et des socles adaptés réduisent le risque de choc électrique.
- ▶ **Éviter tout contact du corps avec des surfaces reliées à la terre telles que les tuyaux, les radiateurs, les cuisinières et les réfrigérateurs.** Il existe un risque accru de choc électrique si votre corps est relié à la terre.
- ▶ **Ne pas exposer les outils électriques à la pluie ou à des conditions humides.** La pénétration d'eau à l'intérieur d'un outil électrique augmente le risque de choc électrique.
- ▶ **Ne pas maltraiter le cordon. Ne jamais utiliser le cordon pour porter, tirer ou débrancher l'outil électrique. Maintenir le cordon à l'écart de la chaleur, du lubrifiant, des arêtes vives ou des parties en mouvement.** Des cordons endommagés ou emmêlés augmentent le risque de choc électrique.
- ▶ **Lorsqu'on utilise un outil électrique à l'extérieur, utiliser un prolongateur adapté à l'utilisation extérieure.** L'utilisation d'un cordon adapté à l'utilisation extérieure réduit le risque de choc électrique.
- ▶ **Si l'usage d'un outil électrique dans un emplacement humide est inévitable, utiliser une alimentation protégée par un dispositif à courant résiduel résiduel (RCD).** L'usage d'un RCD réduit le risque de choc électrique.

#### Sécurité des personnes

- ▶ **Rester vigilant, regarder ce que vous êtes en train de faire et faire preuve de bon sens dans votre utilisation de l'outil électrique. Ne pas utiliser un outil électrique lorsque vous êtes fatigué ou sous l'emprise de drogues, de l'alcool ou de médicaments.** Un moment d'inattention en cours d'utilisation d'un outil électrique peut entraîner des blessures graves.
- ▶ **Utiliser un équipement de protection individuelle. Toujours porter une protection pour les yeux.** Les équipements de protection individuelle tels que les masques contre les poussières, les chaussures de sécurité antidérapantes, les casques ou les protections auditives utilisés pour les conditions appropriées réduisent les blessures.
- ▶ **Éviter tout démarrage intempestif. S'assurer que l'interrupteur est en position arrêté avant de brancher l'outil au secteur et/ou au bloc de batteries, de le ramasser ou de le porter.** Porter les outils électriques en ayant le doigt sur l'interrupteur ou brancher des outils électriques dont l'interrupteur est en position marche est source d'accidents.

- ▶ **Retirer toute clé de réglage avant de mettre l'outil électrique en marche.** Une clé laissée fixée sur une partie tournante de l'outil électrique peut donner lieu à des blessures.
- ▶ **Ne pas se précipiter. Garder une position et un équilibre adaptés à tout moment.** Cela permet un meilleur contrôle de l'outil électrique dans des situations inattendues.
- ▶ **S'habiller de manière adaptée. Ne pas porter de vêtements amples ou de bijoux. Garder les cheveux et les vêtements à distance des parties en mouvement.** Des vêtements amples, des bijoux ou les cheveux longs peuvent être pris dans des parties en mouvement.
- ▶ **Si des dispositifs sont fournis pour le raccordement d'équipements pour l'extraction et la récupération des poussières, s'assurer qu'ils sont connectés et correctement utilisés.** Utiliser des collecteurs de poussière peut réduire les risques dus aux poussières.
- ▶ **Rester vigilant et ne pas négliger les principes de sécurité de l'outil sous prétexte que vous avez l'habitude de l'utiliser.** Une fraction de seconde d'inattention peut provoquer une blessure grave.

#### Utilisation et entretien de l'outil électrique

- ▶ **Ne pas forcer l'outil électrique. Utiliser l'outil électrique adapté à votre application.** L'outil électrique adapté réalise mieux le travail et de manière plus sûre au régime pour lequel il a été construit.
- ▶ **Ne pas utiliser l'outil électrique si l'interrupteur ne permet pas de passer de l'état de marche à arrêt et inversement.** Tout outil électrique qui ne peut pas être commandé par l'interrupteur est dangereux et il faut le réparer.
- ▶ **Débrancher la fiche de la source d'alimentation et/ou enlever le bloc de batteries, s'il est amovible, avant tout réglage, changement d'accessoires ou avant de ranger l'outil électrique.** De telles mesures de sécurité préventives réduisent le risque de démarrage accidentel de l'outil électrique.
- ▶ **Conserver les outils électriques à l'arrêt hors de la portée des enfants et ne pas permettre à des personnes ne connaissant pas l'outil électrique ou les présentes instructions de le faire fonctionner.** Les outils électriques sont dangereux entre les mains d'utilisateurs novices.
- ▶ **Observer la maintenance des outils électriques et des accessoires. Vérifier qu'il n'y a pas de mauvais alignement ou de blocage des parties mobiles, des pièces cassées ou toute autre condition pouvant affecter le fonctionnement de l'outil électrique. En cas de dommages, faire réparer l'outil électrique avant de l'utiliser.** De nombreux accidents sont dus à des outils électriques mal entretenus.
- ▶ **Garder affûtés et propres les outils permettant de couper.** Des outils destinés à couper correctement entretenus avec des pièces coupantes tranchantes sont

moins susceptibles de bloquer et sont plus faciles à contrôler.

- ▶ **Utiliser l'outil électrique, les accessoires et les lames etc., conformément à ces instructions, en tenant compte des conditions de travail et du travail à réaliser.** L'utilisation de l'outil électrique pour des opérations différentes de celles prévues peut donner lieu à des situations dangereuses.
- ▶ **Il faut que les poignées et les surfaces de préhension restent sèches, propres et dépourvues d'huiles et de graisses.** Des poignées et des surfaces de préhension glissantes rendent impossibles la manipulation et le contrôle en toute sécurité de l'outil dans les situations inattendues.

#### Utilisation des outils fonctionnant sur batteries et précautions d'emploi

- ▶ **Ne recharger qu'avec le chargeur spécifié par le fabricant.** Un chargeur qui est adapté à un type de bloc de batteries peut créer un risque de feu lorsqu'il est utilisé avec un autre type de bloc de batteries.
- ▶ **N'utiliser les outils électriques qu'avec des blocs de batteries spécifiquement désignés.** L'utilisation de tout autre bloc de batteries peut créer un risque de blessure et de feu.
- ▶ **Lorsqu'un bloc de batteries n'est pas utilisé, le maintenir à l'écart de tout autre objet métallique, par exemple trombones, pièces de monnaie, clés, clous, vis ou autres objets de petite taille qui peuvent donner lieu à une connexion d'une borne à une autre.** Le court-circuitage des bornes d'une batterie entre elles peut causer des brûlures ou un feu.
- ▶ **Dans de mauvaises conditions, du liquide peut être éjecté de la batterie; éviter tout contact. En cas de contact accidentel, nettoyer à l'eau. Si le liquide entre en contact avec les yeux, rechercher en plus une aide médicale.** Le liquide éjecté des batteries peut causer des irritations ou des brûlures.
- ▶ **Ne pas utiliser un bloc de batteries ou un outil fonctionnant sur batteries qui a été endommagé ou modifié.** Les batteries endommagées ou modifiées peuvent avoir un comportement imprévisible provoquant un feu, une explosion ou un risque de blessure.
- ▶ **Ne pas exposer un bloc de batteries ou un outil fonctionnant sur batteries au feu ou à une température excessive.** Une exposition au feu ou à une température supérieure à 130 °C peut provoquer une explosion.
- ▶ **Suivre toutes les instructions de charge et ne pas charger le bloc de batteries ou l'outil fonctionnant sur batteries hors de la plage de températures spécifiée dans les instructions.** Un chargement incorrect ou à des températures hors de la plage spécifiée de températures peut endommager la batterie et augmenter le risque de feu.

#### Maintenance et entretien

- ▶ **Faire entretenir l'outil électrique par un réparateur qualifié utilisant uniquement des pièces de rechange**

identiques. Cela assure le maintien de la sécurité de l'outil électrique.

- ▶ **Ne jamais effectuer d'opération d'entretien sur des blocs de batteries endommagés.** Il convient que l'entretien des blocs de batteries ne soit effectué que par le fabricant ou les fournisseurs de service autorisés.

## Instructions de sécurité relatives aux scies circulaires à table

### Avertissements relatifs à la protection

- ▶ **Laisser les protecteurs en place. Les protecteurs doivent être en état de fonctionnement et montés correctement.** Un protecteur mal fixé, endommagé ou ne fonctionnant pas correctement doit être réparé ou remplacé.
- ▶ **Toujours utiliser un protecteur de lame et un couteau diviseur pour toute opération de coupe traversante.** Pour les opérations de coupe traversante où la lame traverse complètement l'épaisseur de la pièce, le protecteur et les autres appareils de sécurité contribuent à limiter le risque de blessure.
- ▶ **Après avoir réalisé une coupe non traversante telle que le refeuillement, faire revenir le couteau diviseur à la position étendu vers le haut. Le couteau diviseur étant en position étendu vers le haut, fixer de nouveau le protecteur de lame.** Le protecteur et le couteau diviseur contribuent à limiter le risque de blessure.
- ▶ **Veiller à ce que la lame n'entre pas en contact avec le protecteur, le couteau diviseur ou la pièce avant le déclenchement du commutateur.** Un contact involontaire de ces éléments avec la lame pourrait entraîner un fonctionnement dangereux.
- ▶ **Ajuster le couteau diviseur comme décrit dans la notice d'utilisation.** Un espacement, un positionnement et un alignement incorrects peuvent empêcher le couteau diviseur de limiter le risque de recul.
- ▶ **Pour que le couteau diviseur fonctionne, il doit être engagé dans la pièce.** Le couteau diviseur est inefficace lorsque l'on coupe des pièces trop courtes pour que le couteau diviseur puisse s'y engager. Dans ces conditions, le couteau diviseur ne peut pas empêcher un recul de se produire.
- ▶ **Utiliser la lame appropriée au couteau diviseur.** Pour que le couteau diviseur fonctionne correctement, le diamètre de la lame doit correspondre au couteau diviseur approprié, l'épaisseur de la lame de scie doit être plus mince que celle du couteau diviseur et la largeur de coupe de la lame de scie doit être supérieure à l'épaisseur du couteau diviseur.

### Avertissements relatifs aux modes opératoires de coupe

- ▶ **⚠ DANGER: Ne jamais mettre les doigts ou les mains à proximité ou dans l'alignement de la lame.** Votre main pourrait glisser ou se diriger vers la lame dans un moment d'inattention et entraîner une blessure grave.

- ▶ **Avancer la pièce en direction de la lame uniquement dans le sens inverse de rotation.** L'avance de la pièce dans le même sens que le sens de rotation de la lame au-dessus de la table peut entraîner la pièce et la main dans la lame.
- ▶ **Ne jamais utiliser le guide inclinable pour avancer la pièce lors d'un sciage en long et ne pas utiliser le guide longitudinal comme butée longitudinale lors d'un sciage en travers à l'aide du guide inclinable.** Le guidage de la pièce en utilisant en même temps le guide longitudinal et le guide inclinable augmente le risque de blocage de la lame et de recul.
- ▶ **Lors d'un sciage en long, toujours garder la pièce en contact complet avec le guide et toujours appliquer la force d'alimentation de la pièce entre le guide et la lame. Utiliser un poussoir lorsque la distance entre le guide et la lame est inférieure à 150 mm, et utiliser un bloc-poussoir lorsque cette distance est inférieure à 50 mm.** Des appareils "d'aide à l'utilisation" maintiendront la main à une distance sans risque de la lame.
- ▶ **Utiliser seulement le poussoir fourni par le fabricant ou construit conformément aux instructions.** Ce poussoir permet de garder une distance suffisante entre la main et la lame.
- ▶ **Ne jamais utiliser un poussoir endommagé ou coupé.** Un poussoir endommagé ou coupé peut faire glisser votre main dans la lame.
- ▶ **Ne jamais effectuer une opération "à main levée". Toujours utiliser le guide longitudinal ou le guide inclinable pour positionner et guider la pièce.** "À main levée" signifie utiliser ses mains pour soutenir ou guider la pièce, au lieu d'un guide longitudinal ou inclinable. Une coupe à main levée entraîne un mauvais alignement, un blocage et un recul.
- ▶ **Ne jamais tendre le bras autour ou au-dessus de la lame rotative.** Le fait d'étendre le bras pour atteindre une pièce peut entraîner un contact accidentel avec la lame rotative.
- ▶ **Prévoir un support supplémentaire de la pièce à l'arrière et/ou sur les côtés de la scie circulaire pour des pièces longues et/ou larges afin de les maintenir à plat.** Une pièce longue et/ou large a tendance à pivoter sur le bord de la table, entraînant une perte de contrôle, un blocage de la lame et un recul.
- ▶ **Avancer la pièce à un rythme régulier. Ne pas plier, tordre ou déplacer la pièce d'un côté à l'autre. En cas de coincement de la lame, arrêter l'outil immédiatement, le débrancher et décoincer la lame.** Un coincement de la lame par la pièce peut provoquer un recul ou faire caler le moteur.
- ▶ **Ne pas enlever des morceaux de matériau coupé lors du fonctionnement de la lame.** Le matériau peut être emprisonné entre le guide ou à l'intérieur du protecteur de lame et la lame, entraînant vos doigts dans la lame. Stopper le fonctionnement de la scie et attendre l'arrêt de la scie avant de retirer le matériau.

- ▶ **Utiliser un guide auxiliaire en contact avec le plateau de la table lors d'un sciage en long de pièces d'épaisseur inférieure à 2 mm.** Une pièce mince peut se coincer sous le guide longitudinal et provoquer un recul.

#### Causes de recul et avertissements associés

Le recul est une réaction soudaine de la pièce due à une lame pincée, bloquée ou une ligne de coupe mal alignée dans la pièce par rapport à la position de la lame ou lorsqu'une partie de la pièce se bloque entre la lame et le guide longitudinal ou un autre objet fixe.

Le plus souvent lors d'un recul, la pièce est soulevée de la table par la partie arrière de la lame et est projetée en direction de l'opérateur.

Le recul résulte d'une mauvaise utilisation de la scie et/ou de modes opératoires ou de conditions de fonctionnement incorrects et peut être évité en prenant les précautions nécessaires telles qu'indiquées ci-dessous.

- ▶ **Ne jamais se tenir dans l'alignement direct de la lame.** Toujours se tenir du même côté de la lame que le guide. Un recul peut propulser la pièce à une vitesse rapide vers quiconque se trouvant devant et dans l'alignement de la lame.
- ▶ **Ne jamais tendre le bras au-dessus ou à l'arrière de la lame pour retirer ou soutenir la pièce.** Un contact accidentel avec la lame peut se produire ou un recul peut entraîner vos doigts dans la lame.
- ▶ **Ne jamais maintenir et presser la pièce contre la lame rotative.** Presser la pièce contre la lame rotative provoquera un blocage de la lame et un recul.
- ▶ **Aligner le guide parallèlement à la lame.** Un mauvais alignement du guide entraînera un pincement de la pièce contre la lame et un recul.
- ▶ **Utiliser un peigne anti-recul pour guider la pièce contre la table et le guide lors des coupes non traversantes tels que le refeuillement.** Un peigne anti-recul aide à contrôler la pièce en cas de recul.
- ▶ **Soutenir les grands panneaux pour limiter le risque d'un blocage de la lame et d'un recul.** Les grands panneaux ont tendance à s'affaisser sous leur propre poids. Un (des) support(s) doit (vent) être placé(s) sous toutes les portions du panneau par-dessus la table.
- ▶ **User de précautions supplémentaires lors de la coupe d'une pièce torsadée, gauchie ou comportant des noeuds, qui n'a pas un bord droit pour le guider à l'aide d'un guide inclinable ou le long du guide.** Une pièce torsadée, gauchie ou comportant des noeuds est instable et provoque un mauvais alignement du trait de scie avec la lame, un blocage de la lame et un recul.
- ▶ **Ne jamais couper plusieurs pièces empilées verticalement ou horizontalement.** La lame pourrait attraper plusieurs pièces et provoquer un recul.
- ▶ **Lors d'un redémarrage d'une scie avec une lame de scie dans la pièce, centrer la lame dans le trait de scie de sorte que les dents ne pénètrent pas dans le matériau.** Si la lame se bloque, elle peut soulever la pièce et provoquer un recul lors du redémarrage de la scie.
- ▶ **Maintenir les lames propres, bien aiguisées et avec un écart latéral suffisant. Ne jamais utiliser des lames gauchies ou des lames dont les dents sont fissurées ou cassées.** Des lames bien aiguisées et ayant un bon écart latéral limitent le risque de blocage, de calage et de recul.

#### Avertissements relatifs au mode opératoire de fonctionnement de la scie circulaire à table

- ▶ **Arrêter le fonctionnement de la scie circulaire et débrancher le bloc d'alimentation lors de l'enlèvement de la plaque amovible, le remplacement de la lame de scie ou les réglages du couteau diviseur ou du protecteur de lame, et lorsque la machine est laissée sans surveillance.** Ces mesures de précaution éviteront les accidents.
- ▶ **Ne jamais laisser la scie circulaire à table fonctionner sans surveillance. Arrêter le fonctionnement et ne pas quitter l'outil tant qu'il n'a pas cessé de fonctionner.** Une scie fonctionnant sans surveillance est un danger incontrôlé.
- ▶ **Placer la scie circulaire à table dans un endroit bien éclairé et sur une surface plane où elle peut être maintenue bien en appui et en équilibre. Il convient de l'installer dans un endroit qui prévoit une place suffisante pour pouvoir manipuler facilement la pièce quelle que soit sa taille.** Des endroits exigus, sombres et des sols inégaux et glissants sont susceptibles de provoquer des accidents.
- ▶ **Nettoyer fréquemment et enlever la sciure accumulée sous la scie circulaire à table et/ou sous l'appareil de dépoussiérage.** La sciure accumulée est combustible et peut s'enflammer.
- ▶ **La scie circulaire à table doit être immobilisée.** Une scie circulaire à table mal immobilisée peut bouger ou basculer.
- ▶ **Enlever les outils, copeaux de bois, etc. de la table avant de faire fonctionner la scie.** Un moment d'inattention ou un coincement éventuel peut être dangereux.
- ▶ **Toujours utiliser des lames de scie de dimensions et de forme appropriées des alésages centraux (lame de scie au diamant contre lame de scie ronde).** Des lames qui ne sont pas conformes aux matériels de montage de la scie seront excentrées, provoquant une perte de contrôle.
- ▶ **Ne jamais utiliser des appareils de montage, tels que des flasques, des rondelles de lame, des boulons ou écrous, endommagés ou inadaptés.** Ces appareils de montage ont été spécialement conçus pour être utilisés avec votre scie, à des fins de fonctionnement sûr et de performance optimale.
- ▶ **Ne jamais se tenir sur la scie circulaire à table, ne pas l'utiliser comme tabouret.** Des blessures sérieuses peuvent survenir si l'outil bascule ou en cas de contact accidentel avec l'outil de coupe.
- ▶ **Veiller à ce que la scie circulaire à table soit installée de façon à tourner dans la bonne direction. Ne pas utiliser des meules, des brosses métalliques ou des**



**disques abrasifs sur une scie circulaire à table.** Une installation incorrecte de la lame ou l'utilisation d'accessoires non recommandés peut entraîner de graves blessures.

### Consignes de sécurité additionnelles

- ▶ **Portez toujours des gants de protection pour monter la lame de scie.** Il y a risque de blessure.
- ▶ **N'utilisez pas de lames en acier HSS (acier super rapide).** De telles lames se cassent facilement.
- ▶ **N'utilisez que des lames de scie conformes aux caractéristiques techniques indiquées dans la présente notice d'utilisation et sur l'outil électroportatif, qui ont été contrôlées selon la norme EN 847-1 et qui disposent du marquage correspondant.**
- ▶ **N'utilisez jamais l'outil électroportatif sans pare-éclats. Remplacez le pare-éclats quand il est défectueux.** Vous risqueriez de vous blesser au niveau de la lame si le pare-éclats n'est pas en parfait état.
- ▶ **Veillez à une bonne propreté du poste de travail.** Les mélanges de matériau sont particulièrement dangereux. La poussière de métal fine peut s'enflammer ou exploser.
- ▶ **Choisissez la lame de scie appropriée pour le matériau à scier.**
- ▶ **N'utilisez que des lames de scie recommandées par le fabricant de cet outil électroportatif pour le type de matériau à scier.**
- ▶ **Ne guidez la pièce vers la lame que quand la scie est en marche.** Il y a sinon risque de rebond, au cas où la lame de scie resterait coincée dans la pièce.
- ▶ **Si l'accu est endommagé ou utilisé de manière non conforme, des vapeurs peuvent s'échapper. L'accu peut brûler ou exploser.** Ventilez le local et consultez un médecin en cas de malaise. Les vapeurs peuvent entraîner des irritations des voies respiratoires.
- ▶ **N'ouvrez pas l'accu.** Risque de court-circuit.
- ▶ **Les objets pointus comme un clou ou un tournevis et le fait d'exercer une force extérieure sur le boîtier risque d'endommager l'accu.** Il peut en résulter un court-circuit interne et l'accu risque de s'enflammer, de dégager des fumées, d'exploser ou de surchauffer.
- ▶ **N'utilisez l'accu qu'avec des produits du fabricant.** Tout risque de surcharge dangereuse sera alors exclu.



**Conservez la batterie à l'abri de la chaleur, en la protégeant p. ex. de l'ensoleillement direct, du feu, de la saleté, de l'eau et de l'humidité.** Il existe un risque d'explosion et de courts-circuits.



### Symboles

Les symboles suivants peuvent être importants pour l'utilisation de votre outil électroportatif. Veuillez mémoriser les symboles et leur signification. L'interprétation correcte des symboles vous permettra de mieux utiliser votre outil électroportatif et en toute sécurité.

### Symboles et leur signification



**N'approchez en aucun cas les mains de la zone de sciage pendant le fonctionnement de l'outil électroportatif.** Il y a risque de blessure grave en cas de contact avec la lame de scie.



**Portez un masque à poussière.**



**Portez une protection auditive.** L'exposition aux bruits peut provoquer une perte de l'audition.

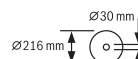


**Portez toujours des lunettes de protection.**

**3 601 M44 000**

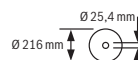
**3 601 M44 0K0**

**3 601 M44 040**



Respectez les dimensions prescrites de la lame de scie. Le diamètre de l'alésage central doit correspondre exactement à celui de la broche (pas de jeu). Lorsqu'il est nécessaire d'utiliser des bagues de réduction, veillez à ce que les dimensions de la bague de réduction soient adaptées à l'épaisseur du corps de lame, au diamètre de l'alésage de la lame et au diamètre de la broche de l'outil. Utilisez dans la mesure du possible les bagues de réduction fournies avec la lame.

**3 601 M44 0B0**

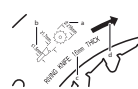


Le diamètre de lame doit correspondre à l'indication du pictogramme.

**3 601 M44 000**

**3 601 M44 0K0**

**3 601 M44 040**



**a** Le diamètre de la lame ne doit pas dépasser 216 mm.

**b** Veillez lors du changement de la lame à ce que la largeur de coupe ne soit pas inférieure à 1,7 mm et à ce que l'épaisseur du corps de lame ne soit pas supérieure à 1,5 mm. Le couteau diviseur risque sinon de coincer dans la pièce.

**c** L'épaisseur du couteau diviseur est de 1,6 mm.

**d** Le sens de coupe des dents (indiqué par une flèche sur la lame) doit correspondre au sens de la flèche sur le couteau diviseur.

**3 601 M44 0B0**



**a** Le diamètre de la lame ne doit pas dépasser 216 mm.

**b** Veillez lors du changement de la lame à ce que la largeur de coupe ne soit pas inférieure à 2,3 mm et à ce que l'épaisseur du corps de lame ne soit pas supérieure à

**Symboles et leur signification**

2,1 mm. Le couteau diviseur risque sinon de coincer dans la pièce.

**c** L'épaisseur du couteau diviseur est de 2,2 mm.

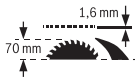
**d** Le sens de coupe des dents (indiqué par une flèche sur la lame) doit correspondre au sens de la flèche sur le couteau diviseur.

**3 601 M44 000** L'épaisseur du couteau diviseur est de 1,6 mm.

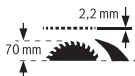
**3 601 M44 0K0**

**3 601 M44 040**

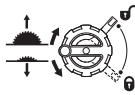
La hauteur maximale possible de la pièce est de 70 mm.



**3 601 M44 0B0** L'épaisseur du couteau diviseur est de 2,2 mm.



La hauteur maximale possible de la pièce est de 70 mm.

**Côté gauche :**

Indique le sens de rotation de la manivelle pour abaisser (**position de transport**) et relever (**position de travail**) la lame.

**Côté droit :**

Indique la position du levier de blocage de la lame de scie et lors du réglage de l'angle d'inclinaison (lame de scie orientable).



Avec le marquage CE, le fabricant atteste que l'outil électroportatif est conforme aux directives UE en vigueur.

**Description des prestations et du produit**

**Lisez attentivement toutes les instructions et consignes de sécurité.** Le non-respect des instructions et consignes de sécurité peut provoquer un choc électrique, un incendie et/ou entraîner de graves blessures.

Référez-vous aux illustrations qui se trouvent à l'avant de la notice d'utilisation.

**Utilisation conforme**

Destiné à un usage stationnaire, l'outil électroportatif est conçu pour effectuer des coupes droites longitudinales et transversales dans le bois dur et le bois tendre ainsi que dans les panneaux agglomérés et les panneaux de fibres. Il permet de régler des angles de  $-30^\circ$  à  $+30^\circ$  dans le plan horizontal (coupes d'onglets) et des angles d'inclinaison de  $0^\circ$  à  $45^\circ$  dans le plan vertical (coupes biaisées).

L'outil électroportatif peut aussi servir à scier de l'aluminium et des matières plastiques à condition d'utiliser des lames de scie appropriées.

**Éléments constitutifs**

La numérotation des éléments se réfère à la représentation de l'outil électroportatif sur la page graphique.

- (1) Échelle graduée pour la distance lame de scie - butée parallèle
- (2) Butée angulaire
- (3) Capot de protection
- (4) Couteau diviseur
- (5) Butée parallèle
- (6) Rallonge de table de sciage
- (7) Logement butée angulaire
- (8) Orifices de montage
- (9) Clé polygonale (23 mm ; 13 mm)
- (10) Clé mâle pour vis à six pans creux (5 mm)
- (11) Support pour rangement du capot de protection
- (12) Poussoir de sécurité
- (13) Bouton de serrage de la rallonge de table de sciage
- (14) Volant
- (15) Manivelle pour ajuster la hauteur de coupe de la lame de scie
- (16) Interrupteur Marche/Arrêt
- (17) Accu<sup>a)</sup>
- (18) Butée pour angle d'inclinaison de  $45^\circ$  (coupes biaisées)
- (19) Échelle graduée pour angles d'inclinaison (coupes biaisées)
- (20) Levier de blocage du réglage d'angles d'inclinaison (coupes biaisées)
- (21) Indicateur d'angle (coupes biaisées)
- (22) Butée pour angle d'inclinaison de  $0^\circ$  (coupes biaisées)
- (23) Table de sciage
- (24) Vis d'ajustage de la force de serrage de la butée parallèle
- (25) Pare-éclats
- (26) Lame de scie
- (27) Rainure de guidage pour butée parallèle
- (28) Bouton de déverrouillage d'accu<sup>a)</sup>
- (29) Poignée de transport
- (30) Rainure de guidage pour butée angulaire
- (31) Adaptateur d'aspiration
- (32) Fente de guidage en V sur la table de sciage pour la butée parallèle
- (33) Grille de fond
- (34) Vis de blocage de la grille de fond
- (35) Marquages sur levier de serrage/plaque de serrage

- (36) Levier de blocage du couteau diviseur
  - (37) Pions de positionnement du couteau diviseur
  - (38) Vis de blocage du pare-éclats
  - (39) Levier de blocage du capot de protection
  - (40) Broche de guidage du capot de protection
  - (41) Bouton de serrage de la butée parallèle
  - (42) Guidage en V de la butée parallèle
  - (43) Butée parallèle supplémentaire
  - (44) Kit de fixation « Butée parallèle supplémentaire »
  - (45) Rail de guidage de la butée angulaire
  - (46) Couvre-lame inférieur
  - (47) Patte du couvre-lame inférieur
  - (48) Trou pour faciliter le retrait du pare-éclats
  - (49) Écrou de serrage
  - (50) Levier de blocage de la broche
  - (51) Flasque de serrage
  - (52) Flasque d'entraînement
  - (53) Broche porte-outil
  - (54) Poignée de blocage d'angles d'onglet (plan horizontal)
  - (55) Indicateur d'angle sur la butée angulaire
  - (56) Fenêtre de graduation
  - (57) Indicateur de distance de la table de sciage
  - (58) Vis à tête cruciforme pour le réglage de la butée à 0°
  - (59) Vis de l'indicateur d'angle d'inclinaison (coupes biaisées)
  - (60) Vis à tête cruciforme pour le réglage de la butée à 45°
  - (61) Vis à six pans creux (5 mm) à l'avant pour réglage du parallélisme de la lame de scie
  - (62) Vis à six pans creux (5 mm) à l'arrière pour réglage du parallélisme de la lame de scie
  - (63) Vis de l'indicateur de distance de la table de sciage
  - (64) Vis à six pans creux (5 mm) pour réglage du parallélisme de la butée parallèle
  - (65) Vis de l'indicateur de distance de la butée parallèle
  - (66) Vis d'ajustage du pare-éclats
  - (67) Logement pour poussoir de sécurité
  - (68) Logement pour clé mâle pour vis à six pans creux
  - (69) Logement pour clé polygonale
- a) **Les accessoires décrits ou illustrés ne sont pas tous compris dans la fourniture. Vous trouverez l'ensemble des accessoires dans notre gamme d'accessoires.**

## Caractéristiques techniques

Scie circulaire à table		GTS 18V-216	GTS 18V-216
Référence		<b>3 601 M44 000</b> <b>3 601 M44 040</b> <b>3 601 M44 0K0</b>	<b>3 601 M44 0B0</b>
Tension nominale	V=	18	18
Régime à vide <sup>A)</sup>	min <sup>-1</sup>	4500	4500
Limitation du courant de démarrage		●	●
Poids selon EPTA-Procédure 01:2014 <sup>B)</sup>	kg	20,5–21,6	20,5–21,6
Températures ambiantes recommandées pour la charge	°C	0...+35	0...+35
Températures ambiantes autorisées pendant l'utilisation <sup>C)</sup> et pour le stockage	°C	-20...+50	-20...+50
Accus compatibles		GBA 18V... ProCORE18V...	GBA 18V... ProCORE18V...
Accus recommandés pour des performances maximales		ProCORE18V... ≥ 5,5 Ah	ProCORE18V... ≥ 5,5 Ah
Chargeurs recommandés		GAL 18... GAX 18... GAL 36...	GAL 18... GAX 18... GAL 36...
Dimensions (y compris les éléments amovibles)			
Largeur x profondeur x hauteur	mm	658 x 332 x 553	658 x 332 x 553
<b>Dimensions admissibles des lames de scie</b>			
Diamètre de lame de scie	mm	216	216
Épaisseur de corps de lame	mm	<1,5	1,5–2,1
Épaisseur/avoyage mini des dents	mm	>1,7	>2,3

**Scie circulaire à table**

GTS 18V-216

GTS 18V-216

Diamètre de l'alésage

mm

30

25,4

A) Mesuré à 20–25 °C avec accu **ProCORE18V 12.0Ah**.

B) Dépend de l'accu utilisé

C) Performances réduites à des températures &lt; 0 °C

Dimensions maximales de la pièce : (voir « Dimensions maximales de la pièce », Page 42)

Les valeurs peuvent varier selon le produit, les conditions d'utilisation et les conditions ambiantes. Pour plus d'informations, rendez-vous sur [www.bosch-professional.com/wac](http://www.bosch-professional.com/wac).**Informations concernant le niveau sonore**Valeurs d'émissions sonores déterminées conformément à **EN 62841-3-1**.Le niveau sonore en dB(A) typique de l'outil électroportatif est de : niveau de pression acoustique **81 dB(A)** ; niveau de puissance acoustique **94 dB(A)**. Incertitude K = **3 dB**.**Portez un casque antibruit !**

Le niveau d'émission sonore indiqué dans cette notice d'utilisation a été mesuré à l'aide d'un procédé de mesure normalisé et peut être utilisé pour effectuer une comparaison entre outils électroportatifs. Elle peut aussi servir de base à une estimation préliminaire du niveau sonore.

Le niveau d'émission sonore s'applique pour les utilisations principales de l'outil électroportatif. Si l'outil électroportatif est utilisé pour d'autres applications, avec d'autres accessoires de travail ou sans avoir fait l'objet d'un entretien régulier, la valeur d'émission sonore peut différer. Il peut en résulter un niveau sonore nettement plus élevé pendant toute la durée de travail.

Pour une estimation précise du niveau sonore, il faut aussi prendre en considération les périodes pendant lesquelles l'outil est éteint ou bien en marche sans être vraiment en action. Il peut en résulter au final un niveau sonore nettement plus faible pendant toute la durée de travail.

**Accu****Bosch** vend ses outils électroportatifs sans-fil aussi sans accu. Il est indiqué sur l'emballage si un accu est fourni ou non avec l'outil électroportatif.**Recharge de l'accu**► **N'utilisez que les chargeurs indiqués dans les Caractéristiques techniques.** Seuls ces chargeurs sont adaptés à l'accu Lithium-Ion de votre outil électroportatif.**Remarque :** Les dispositions internationales en vigueur pour le transport de marchandises obligent à livrer les accus Lithium-Ion partiellement chargés. Pour que les accus soient pleinement performants, chargez-les complètement avant leur première utilisation.**Mise en place de l'accu**

Insérez l'accu dans le compartiment à accu jusqu'à ce qu'il s'enclenche.

**Bosch** recommande d'utiliser des accus d'une capacité d'au moins 3,0 Ah.**Retrait de l'accu**Pour retirer l'accu, appuyez sur le bouton de déverrouillage de l'accu et sortez l'accu de l'outil électroportatif. **Ne forcez pas.**

L'accu dispose d'un double verrouillage permettant d'éviter qu'il tombe si vous appuyez par mégarde sur le bouton de déverrouillage d'accu. Tant que l'accu est en place dans l'outil électroportatif, un ressort le maintient en position.

**Indicateur de niveau de charge de l'accu**

Les LED vertes de l'indicateur d'état de charge indiquent le niveau de charge de la batterie. Pour des raisons de sécurité, il n'est possible d'afficher l'état de charge que quand l'outil électroportatif est à l'arrêt.

Pour afficher le niveau de charge, appuyez sur le bouton de l'indicateur de niveau de charge ou . L'affichage du niveau de charge est également possible après retrait de l'accu.

Si aucune LED ne s'allume après avoir appuyé sur le bouton de l'indicateur de niveau de charge, la batterie est défectueuse et doit être remplacée.

**Batterie de type GBA 18V...**

LED	Capacité
Allumage permanent en vert de 3 LED	60–100 %
Allumage permanent en vert de 2 LED	30–60 %
Allumage permanent en vert de 1 LED	5–30 %
Clignotement en vert de 1 LED	0–5 %

**Batterie de type ProCORE18V...**

LED	Capacité
Allumage permanent en vert de 5 LED	80–100 %
Allumage permanent en vert de 4 LED	60–80 %
Allumage permanent en vert de 3 LED	40–60 %

LED	Capacité
Allumage permanent en vert de 2 LED	20–40 %
Allumage permanent en vert de 1 LED	5–20 %
Clignotement en vert de 1 LED	0–5 %

## Indications pour une utilisation optimale de la batterie

Protégez l'accu de l'humidité et de l'eau.

Ne stockez l'accu que dans la plage de températures de –20 à 50 °C. Ne laissez par ex. pas l'accu dans une voiture en plein été.

Nettoyez de temps en temps les orifices de ventilation de l'accu à l'aide d'un pinceau doux, propre et sec.

Une baisse notable de l'autonomie de l'accu au fil des recharges effectuées indique que l'accu est arrivé en fin de vie et qu'il doit être remplacé.

Respectez les indications concernant l'élimination.

## Montage

- **Retirez l'accu de l'appareil électroportatif avant toute intervention (opérations d'entretien/de maintenance, changement d'accessoire, etc.) ainsi que lors de son transport et rangement.** Il y a sinon risque de blessure lorsqu'on appuie par mégarde sur l'interrupteur Marche/Arrêt.

## Contenu

Avant la première mise en service de l'outil électroportatif, vérifiez qu'il ne manque aucune des pièces indiquées ci-dessous :

- Scie sur table avec lame montée **(26)** et couteau diviseur **(4)**
- Butée angulaire **(2)**
- Butée parallèle **(5)**
- Butée parallèle supplémentaire **(43)**
- Set de fixation « Butée parallèle supplémentaire » **(44)** (2 vis de fixation, 2 rondelles, 2 écrous papillon)
- Capot de protection **(3)**
- Clé mâle pour vis à six pans creux **(10)**
- Clé polygonale **(9)** avec pointe de tournevis à fente
- Poussoir de sécurité **(12)**
- Pare-éclats **(25)**

**Remarque :** Assurez-vous que l'outil électroportatif n'est pas endommagé.

Avant d'utiliser l'outil électroportatif, assurez-vous que les dispositifs de protection ou pièces légèrement endommagées peuvent bien remplir leur fonction. Contrôlez si les pièces mobiles fonctionnent correctement sans coincer et assurez-vous qu'aucune pièce n'est endommagée. Pour garantir un fonctionnement correct, toutes les pièces doivent être correctement montées et en parfait état.

Faites réparer ou remplacer les dispositifs de protection et pièces endommagés dans un centre de service après-vente agréé.

## Outils supplémentaires nécessaires non compris dans le volume de livraison :

- Tournevis cruciforme
- Jauge d'angle

## Montage des pièces fournies

- Sortez avec précaution de l'emballage toutes les pièces fournies.
- Retirez intégralement le matériau d'emballage qui enveloppe l'outil électroportatif et les accessoires fournis.
- Tournez jusqu'en butée les vis de blocage **(34)** dans le sens « Cadenas ouvert » avec la pointe de la clé polygonale **(9)** et ouvrez la grille de fond **(33)** (voir figure a). Retirez le matériau d'emballage sous le bloc moteur.

Les éléments suivants sont directement fixés sur le carter : poussoir de sécurité **(12)**, clé polygonale **(9)**, clé mâle pour vis à six pans creux **(10)**, butée parallèle **(5)**, butée angulaire **(2)**, adaptateur d'aspiration **(31)**, butée parallèle supplémentaire **(43)** avec set de fixation **(44)**, capot de protection **(3)**.

- Si vous avez besoin de l'un de ces éléments, retirez-le avec précaution de son range-accessoires.

## Mise en place du couteau diviseur (voir figures b1–b2)

**Remarque :** Si nécessaire, nettoyez toutes les pièces avant de les monter et de les ajuster.

- Tournez la manivelle **(15)** dans le sens horaire jusqu'en butée de manière à ce que la lame de scie **(26)** se trouve dans la position la plus élevée au-dessus de la table de sciage.
- Desserrez le levier de serrage **(36)** dans le sens horaire jusqu'à ce qu'il soit orienté vers le haut.
- Poussez le couteau diviseur **(4)** en direction du levier de blocage **(36)** jusqu'à ce qu'il puisse être tiré vers le haut.
- Tirez le couteau diviseur à fond vers le haut, de façon à ce qu'il soit positionné exactement au-dessus du centre de la lame de scie.
- Faites en sorte que les deux pions **(37)** viennent se loger dans les orifices inférieurs du couteau diviseur et resserrez le levier de blocage **(36)**.  
Les marquages **(35)** sur la plaque de serrage et le levier de serrage **(36)** doivent être orientés comme représenté.

## Montage du pare-éclats (voir figure c)

- Logez le pare-éclats **(25)** par-dessus le couteau diviseur **(4)** dans l'évidement de la table.
- Tournez jusqu'en butée la vis de blocage **(38)** dans le sens « Cadenas fermé » avec la pointe de la clé polygonale **(9)**.

Le côté avant du pare-éclats **(25)** doit être au même niveau que la table de sciage ou légèrement en dessous, le côté arrière doit être au même niveau que la table de sciage ou légèrement au-dessus.

## Montage du capot de protection (voir figures d1–d2)

**Remarque :** Montez le capot de protection uniquement lorsque le couteau diviseur se trouve dans la position la plus

élevée exactement au-dessus du centre de la lame de scie (voir figure b2). Ne montez pas le capot de protection lorsque le couteau diviseur se trouve dans la position la plus basse (état de livraison ou position de rainurage) (voir figure b1).

- Desserrez le levier de blocage (39) et retirez le capot de protection (3) de son support (11).
  - Saisissez d'une main la protection de la lame de scie (rail métallique supérieur) du capot de protection (3) et soulevez le levier de blocage (39) avec l'autre main.
  - Glissez la broche de guidage (40) vers l'arrière dans la gorge du couteau diviseur (4).
  - Déplacez le capot de protection (3) vers le bas jusqu'à ce que la protection de la lame (rail métallique supérieur) soit **parallèle** à la surface de la table de sciage (23).
  - Poussez le levier de blocage (39) vers le bas. Le levier de blocage doit s'enclencher de manière perceptible et audible et le capot de protection (3) doit être fixé fermement.
- **Vérifiez avant chaque utilisation si le capot de protection bouge librement. N'utilisez pas l'outil électroportatif si le capot de protection manque de mobilité et ne se ferme pas aussitôt.**

#### Montage de la butée parallèle (voir figure e)

La butée parallèle (5) peut être positionnée à droite ou à gauche de la lame.

- Desserrez le bouton de serrage (41) de la butée parallèle (5). Le guidage en V (42) est ainsi libéré.
- Insérez d'abord la butée parallèle avec le guidage en V dans la rainure de guidage (32) de la table de sciage. Positionnez ensuite la butée parallèle dans la rainure de guidage avant (27) de la table de sciage. La butée parallèle peut alors être déplacée à volonté.
- Pour bloquer la butée parallèle, poussez le bouton de serrage (41) vers le bas.

#### Montage de la butée parallèle supplémentaire (voir figure f)

**Pour scier des pièces étroites et réaliser des coupes biaisés**, il est nécessaire de monter la butée parallèle supplémentaire (43) sur la butée parallèle (5).

La butée parallèle supplémentaire peut au besoin être montée à gauche ou à droite de la butée parallèle (5).

Utilisez le set de fixation « Butée parallèle supplémentaire » (44) (2 vis de fixation, 2 rondelles, 2 écrous papillon).

- Passez les vis de fixation à travers les trous latéraux sur la butée parallèle (5).
- Les têtes de vis servent à guider la butée parallèle supplémentaire.
- Glissez la butée parallèle supplémentaire (43) au-dessus des têtes des vis de fixation.
- Placez les rondelles sur les vis de fixation et serrez les vis à l'aide des écrous papillon.

#### Montage de la butée angulaire (voir figure g)

- Insérez le rail (45) de la butée angulaire (2) dans l'une des rainures de guidage (30) prévues à cet effet de la table de sciage.

#### Montage stationnaire ou flexible

- **Pour pouvoir être utilisé en toute sécurité, l'outil électroportatif doit être installé sur une surface de travail plane et stable (par ex. un établi) avant son utilisation.**

#### Montage sur un plan de travail (voir figure h)

- À l'aide de vis appropriées, fixez l'outil électroportatif sur le plan de travail. Introduisez pour cela les vis dans les alésages (8).

#### Montage sur un support de travail Bosch (voir figure i)

Dotés de pieds réglables, les supports de travail Bosch (p. ex. **GTA 560**) confèrent à l'outil électroportatif une bonne stabilité, quelle que soit la planéité du sol.

- **Lisez attentivement les instructions et consignes de sécurité jointes au support de travail.** Le non-respect des instructions et consignes de sécurité peut entraîner un choc électrique, un incendie et/ou de graves blessures.
- **Montez correctement le support de travail avant d'installer l'outil électroportatif.** Un montage exact est primordial pour disposer d'une bonne stabilité.
- Installez l'outil électroportatif dans sa position de transport sur le support de travail.

#### Aspiration de poussières/de copeaux

Les poussières de matériaux tels que peintures contenant du plomb, certains bois, minéraux ou métaux, peuvent être nuisibles à la santé. Le contact avec les poussières ou leur inhalation peut entraîner des réactions allergiques et/ou des maladies respiratoires auprès de l'utilisateur ou des personnes se trouvant à proximité.

Certaines poussières telles que les poussières de chêne ou de hêtre sont considérées comme cancérigènes, surtout en association avec des additifs pour le traitement du bois (chromate, lasure). Les matériaux contenant de l'amiante ne doivent être travaillés que par des personnes qualifiées.

- Si possible, utilisez un dispositif d'aspiration des poussières approprié au matériau.
- Veillez à bien aérer la zone de travail.
- Il est recommandé de porter un masque respiratoire avec un niveau de filtration de classe P2.

Respectez les règlements spécifiques aux matériaux à traiter en vigueur dans votre pays.

- **Évitez toute accumulation de poussières sur le lieu de travail.** Les poussières peuvent facilement s'enflammer.

L'aspiration des poussières/des copeaux peut être bloquée par de la poussière, des copeaux ou des fragments de pièce.

- Mettez l'outil électroportatif en marche et retirez la batterie.
- Attendez l'arrêt total de la lame de scie.
- Déterminez la cause du blocage et éliminez-la.

- **Pour éviter tout risque d'incendie lors du sciage d'aluminium, videz le couvre-lame inférieur et travaillez sans dispositif d'aspiration des copeaux.**

#### Nettoyage du couvre-lame inférieur (voir figure j)

Pour retirer des fragments de pièce et de grands copeaux, vous pouvez ouvrir le couvre-lame inférieur (46).

- Arrêtez l'outil électroportatif et retirez l'accu de l'outil électroportatif.
- Attendez l'immobilisation complète de la lame de scie.
- Inclinez l'outil électroportatif sur le côté.
- Ouvrez la grille de fond (33) (voir figure a).
- Écartez légèrement les pattes (47) du couvre-lame inférieur et sortez le couvre-lame inférieur (46).
- Éliminez les fragments de matériaux et les copeaux.
- Ramenez le couvre-lame inférieur (46) dans sa position d'origine en veillant à ce que les pattes (47) s'enclenchent.
- Refermez la grille de fond (33).
- Placez l'outil électroportatif dans la position de travail.

#### Aspiration au moyen d'un aspirateur (voir figure k)

- Emboîtez un flexible d'aspirateur de diamètre approprié dans l'adaptateur d'aspiration (31).

L'aspirateur doit être conçu pour le type de matériau à scier.

Pour l'aspiration de poussières particulièrement nocives, cancérigènes ou sèches, utilisez un aspirateur spécial.

#### Changement de la lame de scie (voir figures l1 – l4)

- **Retirez l'accu de l'appareil électroportatif avant toute intervention (opérations d'entretien/de maintenance, changement d'accessoire, etc.) ainsi que lors de son transport et rangement.** Il y a sinon risque de blessure lorsqu'on appuie par mégarde sur l'interrupteur Marche/Arrêt.
- **Portez toujours des gants de protection pour monter la lame de scie.** Il y a risque de blessure.
- **N'utilisez que des lames de scie dont la vitesse de rotation maximale admissible est supérieure au régime à vide de votre outil électroportatif.**
- **N'utilisez que des lames de scie conformes aux caractéristiques techniques indiquées dans la présente notice d'utilisation et sur l'outil électroportatif, qui ont été contrôlées selon la norme EN 847-1 et qui disposent du marquage correspondant.**
- **N'utilisez que des lames de scie recommandées par le fabricant de cet outil électroportatif et adaptées au type de matériau à découper.** Vous éviterez ainsi tout risque de surchauffe de la pointe des dents et de fonte du plastique à découper.
- **N'utilisez pas de lames en acier HSS (acier super rapide).** De telles lames se cassent facilement.

#### Démontage de la lame de scie

- Ouvrez le levier de blocage (39) et dégagez le capot de protection (3) de la rainure du couteau diviseur (4).

- Tournez jusqu'en butée la vis de blocage (38) dans le sens « Cadenas ouvert » avec la pointe de la clé polygonaire (9) et dégagez le pare-éclats (25) de l'évidement de la table. Pour soulever le pare-éclats, placez un objet dans le trou (48) prévu à cet effet.
- Tournez la manivelle (15) dans le sens horaire jusqu'en butée de manière à ce que la lame de scie (26) se trouve dans la position la plus élevée au-dessus de la table de sciage.
- Tournez l'écrou de serrage (49) avec la clé polygonaire (9) tout en tirant le levier de blocage de broche (50) jusqu'à ce qu'il s'enclenche.
- Maintenez serré le levier de blocage de la broche et dévissez l'écrou de serrage dans le sens antihoraire.
- Retirez le flasque de serrage (51).
- Retirez la lame de scie (26).

#### Mise en place de la lame de scie

- Si nécessaire, nettoyez préalablement toutes les pièces à monter.
- Montez la nouvelle lame de scie sur le flasque d'entraînement (52) de la broche porte-outil (53).

**Remarque :** n'utilisez pas de lames de scie trop petites. L'écart radial entre lame de scie et couteau diviseur doit être de 3 – 8 mm au maximum.

- **Lors du montage, assurez-vous que le sens de coupe des dents (sens de la flèche sur la lame de scie) coïncide avec le sens de la flèche sur le couteau diviseur !**

- Montez le flasque de serrage (51) et l'écrou de serrage (49).
- Tournez l'écrou de serrage (49) avec la clé polygonaire (9) tout en tirant le levier de blocage de broche (50) jusqu'à ce qu'il s'enclenche.
- Serrez l'écrou de serrage dans le sens horaire.
- Logez le pare-éclats (25) par-dessus le couteau diviseur (4) dans l'évidement de la table. Tournez jusqu'en butée la vis de blocage (38) dans le sens « Cadenas fermé » avec la pointe de la clé polygonaire (9).
- Remontez le capot de protection (3).

## Utilisation

- **Retirez l'accu de l'appareil électroportatif avant toute intervention (opérations d'entretien/de maintenance, changement d'accessoire, etc.) ainsi que lors de son transport et rangement.** Il y a sinon risque de blessure lorsqu'on appuie par mégarde sur l'interrupteur Marche/Arrêt.

#### Position de transport et de travail de la lame de scie

##### Position de transport

- Retirez le capot de protection (3), puis le pare-éclats (25) et positionnez le couteau diviseur (4) dans la position la plus basse. Remontez le pare-éclats (25).

- Tournez la manivelle (15) dans le sens antihoraire jusqu'à ce que les dents de la lame de scie (26) se trouvent en dessus de la table de sciage (23).
- Poussez la rallonge de table de sciage (6) à fond vers l'intérieur.
- Poussez le bouton de serrage (13) vers le bas. Ceci bloque la rallonge.

#### Position de travail

- Positionnez le couteau diviseur (4) dans la position la plus élevée exactement au-dessus de centre de la lame de scie, installez le pare-éclats (25), puis montez le capot de protection (3).
- Tournez la manivelle (15) dans le sens horaire jusqu'à ce que les dents supérieures de la lame de scie (26) soient positionnées env. 3 – 6 mm au-dessus de la pièce.

#### Agrandissement de la table de sciage

Les pièces longues et lourdes doivent être soutenues par des cales ou autre au niveau de leur extrémité libre.

#### Extension de table de sciage (voir figure A)

L'extension de table de sciage (6) élargit la table de sciage (23) sur la droite.

- Tirez la poignée de serrage (13) de l'extension de table de sciage complètement vers le haut.
- Tirez l'extension de table de sciage (6) vers l'extérieur jusqu'à la longueur souhaitée.
- Enfoncez la poignée de serrage (13) vers le bas. L'extension de table de sciage est fixée.

#### Réglage d'angles d'onglet et d'angles d'inclinaison

Pour pouvoir réaliser des coupes précises, il est nécessaire après une utilisation intensive de contrôler et, le cas échéant, de corriger les réglages de base de l'outil électroportatif.

#### Réglage d'angles d'inclinaison pour coupes biaisées (lame de scie) (voir figure B)

Il est possible de régler des angles d'inclinaison de 0° à 45°.

- Desserrez le levier de blocage (20) dans le sens antihoraire.

**Remarque :** lors du desserrage complet du levier de blocage, la lame de scie bascule sous l'effet de la gravité dans une position correspondant à 30° environ.

- Tirez ou poussez le volant (14) le long de la coulisse jusqu'à ce que l'indicateur d'angle (21) indique l'angle d'inclinaison souhaité.
- Maintenez le volant dans cette position et resserrez le levier de blocage (20).

**Pour permettre le réglage rapide et précis des angles d'inclinaison standard 0° et 45°**, des butées réglées en usine ((22), (18)) sont installées.

#### Réglage d'angles d'onglet dans le plan horizontal (butée angulaire) (voir figure C)

Il est possible de régler dans le plan horizontal des angles d'onglet de 30° (vers la gauche) à 30° (vers la droite).

- Desserrez le bouton de blocage (54) (au cas où celui-ci serait serré).
- Tournez la butée angulaire jusqu'à ce que l'indicateur d'angle (55) affiche l'angle d'onglet souhaité.
- Resserrez le bouton de blocage (54).

#### Réglage de la butée parallèle

La butée parallèle (5) peut être positionnée à gauche (échelle graduée noire) ou à droite (échelle graduée argentée) de la lame de scie. Le marquage dans la fenêtre de graduation (56) indique la distance entre butée parallèle et lame de scie réglée sur l'échelle graduée (1).

Positionnez la butée parallèle sur le côté souhaité de la lame de scie (voir « Montage de la butée parallèle (voir figure e) », Page 38).

#### Réglage de la butée parallèle en cas de table de sciage non déployée

- Desserrez le bouton de serrage (41) de la butée parallèle (5). Déplacez la butée parallèle jusqu'à ce que le marquage dans la fenêtre de graduation (56) affiche la distance souhaitée par rapport à la lame de scie. Quand la table de sciage n'est pas déployée, c'est le marquage inférieur de l'échelle graduée argentée (1) qui compte.
- Pour le blocage, poussez le bouton de serrage (41) à nouveau vers le bas.

#### Réglage de la butée parallèle quand la table de sciage est déployée (voir figure D)

- Positionnez la butée parallèle à droite de la lame de scie. Déplacez la butée parallèle jusqu'à ce que le marquage dans la fenêtre de graduation (56) affiche 29 cm sur l'échelle graduée inférieure.
- Pour le blocage, poussez le bouton de serrage (41) à nouveau vers le bas.
- Tirez le bouton de serrage (13) de la rallonge à fond vers le haut.
- Tirez la rallonge (6) vers l'extérieur jusqu'à ce que l'indicateur de distance (57) affiche la distance souhaitée par rapport à la lame de scie sur l'échelle graduée supérieure.
- Poussez le bouton de serrage (13) vers le bas. Ceci bloque la rallonge.

#### Réglage de la butée parallèle supplémentaire (voir figure E)

**Pour scier des pièces étroites et réaliser des coupes biaisées**, il est nécessaire de monter la butée parallèle supplémentaire (43) sur la butée parallèle (5).

La butée parallèle supplémentaire peut au besoin être montée à gauche ou à droite de la butée parallèle (5).

Lors du sciage, les pièces peuvent se coincer entre la butée parallèle et la lame de scie, elle peuvent être happées par la



lame de scie qui remonte et être éjectées.

C'est pourquoi il est indispensable de régler la butée parallèle supplémentaire de telle sorte que sa fin de course s'arrête entre la dent la plus en avant et le bord avant du couteau diviseur.

- Pour cela, desserrez tous les écrous papillon du set de fixation (44) et déplacez la butée parallèle supplémentaire jusqu'à ce que seules les deux vis avant servent à la fixation.
- Resserrez les écrous papillon.

### Ajustez le couteau diviseur

Le couteau diviseur (4) empêche que la lame de scie (26) ne se coince dans la rainure de coupe. Sinon, il y a risque de contre-coup, au cas où la lame de scie se coincerait dans la pièce.

Veillez à ce que le couteau diviseur soit toujours correctement réglé :

- L'écart radial entre lame de scie et couteau diviseur doit être de 3 – 8 mm au maximum.
- L'épaisseur du couteau diviseur doit être inférieure à la largeur de coupe et supérieure à l'épaisseur du corps de la lame.
- Le couteau diviseur doit être correctement aligné avec la lame de scie.
- Pour les coupes courantes, le couteau diviseur doit toujours se trouver dans la position la plus élevée.

### Réglage de la hauteur du couteau diviseur (voir figure F)

Pour réaliser des rainures, vous devez ajuster la hauteur du couteau diviseur.

- ▶ **N'utilisez l'outil électroportatif pour réaliser des rainures ou des feuillures qu'avec un dispositif de protection approprié (par ex. capot de protection type tunnel, peigne presseur).**
- Ouvrez le levier de blocage (39) et dégagez le capot de protection (3) de la rainure du couteau diviseur (4).  
Pour éviter que le capot de protection ne soit endommagé, placez-le dans le support (11) prévu à cet effet sur le carter (voir aussi la figure 02).
- Tournez la manivelle (15) dans le sens horaire jusqu'en butée de manière à ce que la lame de scie (26) se trouve dans la position la plus élevée au-dessus de la table de sciage.
- Desserrez le levier de serrage (36) dans le sens horaire jusqu'à ce qu'il soit orienté vers le haut.
- Dégagez le couteau diviseur des pions (37) (tirez quelque peu le levier de blocage (36) vers l'extérieur) et déplacez le couteau diviseur (4) vers le bas jusqu'en butée.
- Faites en sorte que les deux pions (37) s'enclenchent dans les orifices supérieurs du couteau diviseur et resserrez le levier de blocage (36).  
Les marquages (35) sur la plaque de serrage et le levier de serrage (36) doivent être orientés comme représenté.

### Mise en marche

#### Mise en marche (voir figure G1)

- Pour mettre en marche l'outil électroportatif, appuyez des deux côtés sur l'interrupteur Marche/Arrêt (16) et tirez-le vers le haut.

#### Arrêt (voir figure G2)

- Poussez l'interrupteur Marche/Arrêt (16) à fond vers le bas.

#### Protection contre toute utilisation non autorisée (voir figure G3)

Pour éviter toute utilisation non autorisée, vous pouvez bloquer l'interrupteur Marche/Arrêt (16) à l'aide d'un cadenas.

- Insérez un cadenas à anse longue dans l'orifice de l'interrupteur Marche/Arrêt (16) et fermez-le.

### Instructions d'utilisation

#### Indications générales pour le sciage

- ▶ **Pour toutes les coupes, assurez-vous d'abord que la lame de scie ne peut, dans aucun cas, toucher les butées ou d'autres parties de l'outil électroportatif.**
- ▶ **N'utilisez l'outil électroportatif pour réaliser des rainures ou des feuillures qu'avec un dispositif de protection approprié (par ex. capot de protection type tunnel, peigne presseur).**
- ▶ **N'utilisez pas l'outil électroportatif pour réaliser des rainures non traversantes (c'est-à-dire qui ne vont pas jusqu'au bout de la pièce).**

Protégez la lame de scie contre les chocs et les coups. N'exposez pas la lame de scie à une pression latérale.

Le couteau diviseur doit coïncider avec la lame de scie pour éviter que la pièce ne se coince.

Ne sciez pas des pièces déformées. Le côté de la pièce qui va être appliqué contre la butée parallèle doit toujours être droit.

Conservez toujours le poussoir de sécurité sur l'outil électroportatif.

#### Position de l'utilisateur (voir figure H)

- ▶ **Ne jamais se tenir dans l'alignement direct de la lame.**  
Toujours se tenir du même côté de la lame que le guide.  
Un recul peut propulser la pièce à une vitesse rapide vers quiconque se trouvant devant et dans l'alignement de la lame.
- Maintenez les mains, doigts ou bras éloignés de la lame de scie en rotation.

Respectez les indications suivantes :

- Tenez la pièce des deux mains et appuyez-la fermement sur la table de sciage.
- Pour le sciage de pièces étroites et pour la réalisation de coupes biaisées, utilisez toujours le poussoir de sécurité (12) fourni et la butée parallèle supplémentaire (43).

**Dimensions maximales de la pièce**

Angle d'inclinaison (pour coupes biaisées)	Hauteur maxi de la pièce [mm]
0°	70
45°	50

**Sciage****Sciage de coupes droites**

- Réglez la butée parallèle (5) à la profondeur de coupe souhaitée.
- Posez la pièce sur la table de sciage devant le capot de protection (3).
- Soulevez ou abaissez la lame de scie à l'aide de la manivelle (15) jusqu'à ce que les dents supérieures de la lame de scie (26) soient positionnées env. 3–6 mm au-dessus de la pièce.
- Mettez l'outil électroportatif en marche.
- Sciez la pièce avec une avance régulière.  
Si vous exercez une pression trop importante, les dents de la lame risquent de surchauffer et la pièce risque de subir des dommages.
- Arrêtez l'outil électroportatif et attendez l'immobilisation complète de la lame de scie.

**Réalisation de coupes biaisées**

- Réglez l'angle d'inclinaison souhaité.  
Lorsque la lame est inclinée vers la gauche, la butée parallèle (5) doit se trouver à droite de la lame.
- Effectuez les étapes de travail suivantes : (voir « Sciage de coupes droites », Page 42)

**Réalisation de coupes d'onglet dans le plan horizontal (voir figure I)**

- Réglez l'angle d'onglet souhaité sur la butée angulaire (2).
- Appliquez la pièce contre la butée angulaire (2).
- Soulevez ou abaissez la lame au moyen de la manivelle (15) jusqu'à ce que les dents supérieures se trouvent 5 mm env. au-dessus de la surface de la pièce.
- Mettez l'outil électroportatif en marche.
- Poussez d'une main la pièce contre la butée angulaire et faites coulisser de l'autre main la butée angulaire au moyen du bouton de blocage (54) vers l'avant dans la rainure de guidage (30).
- Arrêtez l'outil électroportatif et attendez l'immobilisation complète de la lame de scie.

**Contrôle et correction des réglages de base**

Pour pouvoir réaliser des coupes précises, il est nécessaire après une utilisation intensive de contrôler et, le cas échéant, de corriger les réglages de base de l'outil électroportatif.  
Pour ce faire, il faut de l'expérience et des outils spéciaux. Il est conseillé de confier ce travail à un centre de service après-vente Bosch agréé. Il effectuera ce travail rapidement et de façon fiable.

**Réglage des butées pour angles d'inclinaison standard de 0°/45°**

- Placez l'outil électroportatif dans la position de travail.
- Réglez un angle d'inclinaison de 0°.
- Retirez le capot de protection (3).

**Contrôle (voir figure J1)**

- Retirez le pare-éclats (25) (voir « Montage du pare-éclats (voir figure c) », Page 37).
- Réglez un rapporteur d'angle sur 90° et positionnez-le sur la table de sciage (23).

La branche du rapporteur doit affleurer avec la lame de scie (26) sur toute sa longueur.

**Réglage (voir figure J2)**

- Desserrez la vis (58). La butée de 0° (22) peut ainsi être déplacée.
- Desserrez le levier de blocage (20).
- Poussez le volant (14) contre la butée de 0° jusqu'à ce que la branche du rapporteur affleure avec la lame de scie sur toute sa longueur.
- Maintenez le volant dans cette position et resserrez le levier de blocage (20).
- Resserrez la vis (58).
- Remontez le pare-éclats (25) (voir « Montage du pare-éclats (voir figure c) », Page 37).

Si l'indicateur d'angle (21) ne coïncide pas avec le repère 0° de l'échelle graduée (19), desserrez la vis (59) à l'aide d'un tournevis cruciforme du commerce et faites coïncider l'indicateur d'angle avec le repère 0°.

Répétez les étapes de travail mentionnées ci-dessus de la même manière pour l'angle d'inclinaison de 45° (desserrage de la vis (60) ; déplacement de la butée de 45° (18)). L'indicateur d'angle (21) ne doit pas être déréglé pendant cette procédure.

**Parallélisme de la lame de scie par rapport aux rainures de guidage de la butée angulaire (voir figure K)**

- Placez l'outil électroportatif dans la position de travail.
- Retirez le capot de protection (3).

**Contrôle**

- À l'aide d'un crayon, marquez la première dent de lame gauche visible à l'arrière au-dessus du pare-éclats.
  - Réglez le rapporteur d'angle sur 90° et placez-le sur le bord de la rainure de guidage (30).
  - Déplacez la branche du rapporteur jusqu'à ce qu'il touche la dent marquée, puis notez la distance entre lame de scie et rainure de guidage.
  - Tournez la lame de scie jusqu'à ce que la dent marquée se situe à l'avant au-dessus du pare-éclats.
  - Déplacez le rapporteur d'angle le long de la rainure de guidage jusqu'à la dent marquée.
  - Mesurez à nouveau la distance entre la lame de scie et la rainure de guidage.
- Les deux distances mesurées doivent être identiques.

**Réglage**

- Desserrez la vis à six pans creux (61) à l'avant en dessous de la table de scie et les vis à six pans creux (62) à l'ar-

rière en dessous de la lame de scie à l'aide de la clé mâle pour vis à six pans creux (10) fournie.

- Déplacez avec précaution la lame de scie jusqu'à ce qu'elle soit positionnée parallèlement à la rainure de guidage (30).
- Resserrez toutes les vis (61) et (62).

#### Réglage de l'indicateur de distance de la table de sciage (voir figure L)

- Positionnez la butée parallèle à droite de la lame de scie. Déplacez la butée parallèle jusqu'à ce que le marquage dans la fenêtre de graduation (56) affiche 29 cm sur l'échelle graduée inférieure.  
Pour le blocage, poussez le bouton de serrage (41) à nouveau vers le bas.
- Tirez le bouton de serrage (13) à fond vers le haut et tirez la rallonge de table de sciage (6) vers l'extérieur jusqu'en butée.

#### Contrôle

L'indicateur de distance (57) doit afficher pour l'échelle graduée supérieure (1) la même valeur que le marquage de la fenêtre de graduation (56) pour l'échelle graduée inférieure (1).

#### Réglage

- Tirez la rallonge de table de sciage (6) vers l'extérieur jusqu'en butée.
- Desserrez la vis (63) à l'aide d'un tournevis cruciforme et alignez l'indicateur de distance (57) le long du repère cm 29 de l'échelle graduée supérieure (1).

#### Réglage du parallélisme de la butée parallèle (voir figure M)

- Placez l'outil électroportatif dans la position de travail.
- Retirez le capot de protection (3).
- Desserrez le bouton de serrage (41) de la butée parallèle et déplacez-la jusqu'à ce qu'elle touche la lame de scie.

#### Contrôle

La butée parallèle (5) doit être en contact avec la lame de scie sur toute sa longueur.

#### Réglage

- Desserrez les vis à six pans creux (64) avec la clé mâle pour vis à six pans creux (10) fournie.
- Déplacez avec précaution la butée parallèle (5) jusqu'à ce qu'elle soit en contact avec la lame de scie sur toute sa longueur.
- Maintenez la butée parallèle dans cette position et poussez le bouton de serrage (41) à nouveau vers le bas.
- Resserrez les vis à six pans creux (64).

#### Réglage de la force de serrage de la butée parallèle

La force de serrage de la butée parallèle (5) peut se réduire en cas d'utilisation fréquente.

- Serrez la vis d'ajustage (24) jusqu'à ce que la butée parallèle puisse à nouveau être fixée fermement à la table de sciage.

#### Réglage de la fenêtre de graduation de la butée parallèle (voir figure M)

- Placez l'outil électroportatif dans la position de travail.
- Retirez le capot de protection (3).
- Déplacez la butée parallèle (5) à partir de la droite jusqu'à ce qu'elle touche la lame de scie.

#### Contrôle

Le marquage de la fenêtre de graduation (56) doit être aligné avec le repère 0 mm de l'échelle graduée (1).

#### Réglage

- Desserrez la vis (65) à l'aide d'un tournevis cruciforme et alignez le marquage le long du repère 0 mm.

#### Réglage du niveau du pare-éclats (voir figure N)

#### Contrôle

Le côté avant du pare-éclats (25) doit être au même niveau que la table de sciage ou légèrement en dessous, le côté arrière doit être au même niveau que la table de sciage ou légèrement au-dessus.

#### Réglage

- Réglez avec la pointe de la clé polygonale (9) les vis d'ajustage (66) au bon niveau.

#### Rangement et transport

##### Rangement des éléments amovibles de l'outil (voir figures O1–O2)

Pour le rangement, il est possible de fixer en toute sécurité certains éléments sur l'outil électroportatif.

- Retirez la butée parallèle supplémentaire (43) de la butée parallèle (5).
- Placez tous les éléments retirés dans leurs supports / logements de rangement dédiés (voir tableau suivant).

Élément d'outil	Support / logement de rangement
Butée parallèle (5)	La tourner, l'accrocher par le bas dans les rails de guidage et bloquer le bouton de serrage (41)
Poussoir de sécurité (12)	L'insérer dans le logement (67)
Capot de protection (3)	Le loger dans l'évidement du support (11) et serrer le levier de blocage (39)
Clé mâle pour vis à six pans creux (10)	L'insérer dans le logement (68)
Clé polygonale (9)	L'insérer dans le logement (69)
Butée angulaire (2)	L'insérer dans le logement (7)
Butée parallèle supplémentaire (43)	La glisser dans la rainure arrière de la butée parallèle (5) et serrer les vis papillon

#### Transport de l'outil électroportatif

- **Retirez l'accu de l'appareil électroportatif avant toute intervention (opérations d'entretien/de maintenance, changement d'accessoire, etc.) ainsi que lors de son transport et rangement.** Il y a sinon risque de blessure

lorsqu'on appuie par mégarde sur l'interrupteur Marche/Arrêt.

Avant de transporter l'outil électroportatif, effectuez les opérations suivantes :

- Placez l'outil électroportatif dans la position de transport (voir « Position de transport », Page 39).
- Enlevez tous les accessoires qui ne peuvent pas être fixés solidement à l'outil électroportatif et qui risquent donc de tomber.
- Transportez, si possible, les lames de scie encore inutilisées dans un conteneur fermé.
- Poussez la rallonge de table de sciage (6) à fond vers l'intérieur et poussez le bouton de serrage (13) vers le bas pour fixation.
- Utilisez les poignées (29) pour soulever ou transporter la scie.

► **Pour transporter l'outil électroportatif, n'utilisez que les dispositifs de transport et jamais les dispositifs de protection.**

## Entretien et Service après-vente

### Nettoyage et entretien

- **Retirez l'accu de l'appareil électroportatif avant toute intervention (opérations d'entretien/de maintenance, changement d'accessoire, etc.) ainsi que lors de son transport et rangement.** Il y a sinon risque de blessure lorsqu'on appuie par mégarde sur l'interrupteur Marche/Arrêt.
- **Tenez toujours propres l'outil électroportatif ainsi que les fentes de ventilation afin d'obtenir un travail impeccable et sûr.**

### Nettoyage

Après chaque opération de travail, enlevez les poussières et les copeaux à l'aide d'un pinceau ou en soufflant avec de l'air comprimé.

### Mesures visant à réduire le niveau sonore

Mesures prises par le fabricant :

- Démarrage progressif
- Fourniture avec une lame de scie spécialement conçue pour une réduction du niveau sonore

Mesures prises par l'utilisateur :

- Montage permettant une réduction des vibrations sur une surface de travail stable
- Utilisation de lames de scie avec fonctions permettant de réduire le niveau sonore
- Nettoyage régulier de la lame de scie et de l'outil électroportatif

### Service après-vente et conseil utilisateurs

Notre Service après-vente répond à vos questions concernant la réparation et l'entretien de votre produit et les pièces de rechange. Vous trouverez des vues éclatées et des informations sur les pièces de rechange sur le site :

**www.bosch-pt.com**

L'équipe de conseil utilisateurs Bosch se tient à votre disposition pour répondre à vos questions concernant nos produits et leurs accessoires.

Pour toute demande de renseignement ou toute commande de pièces de rechange, précisez impérativement la référence à 10 chiffres figurant sur l'étiquette signalétique du produit.

### Maroc

Robert Bosch Morocco SARL  
53, Rue Lieutenant Mahroud Mohamed  
20300 Casablanca  
Tel. : +212 5 29 31 43 27  
E-Mail : sav.outillage@ma.bosch.com

### Vous trouverez d'autres adresses du service après-vente sous :

[www.bosch-pt.com/serviceaddresses](http://www.bosch-pt.com/serviceaddresses)

### Transport

Les accus Lithium-ion recommandés sont soumis à la réglementation relative au transport de matières dangereuses. Pour le transport sur route par l'utilisateur, aucune autre mesure n'a besoin d'être prise.

Lors d'une expédition par un tiers (par ex. transport aérien ou entreprise de transport), des mesures spécifiques doivent être prises concernant l'emballage et le marquage. Pour la préparation de l'envoi, faites-vous conseiller par un expert en transport de matières dangereuses.

N'expédiez que des accus dont le boîtier n'est pas endommagé. Recouvrez les contacts non protégés et emballez l'accu de manière à ce qu'il ne puisse pas se déplacer dans l'emballage. Veuillez également respecter les réglementations supplémentaires éventuellement en vigueur.

### Élimination des déchets



Les outils électroportatifs, les accus ainsi que leurs accessoires et emballages doivent être rapportés dans un centre de recyclage respectueux de l'environnement.



Ne jetez pas les outils électroportatifs et les accus/piles avec les ordures ménagères !

### Accus/piles :

#### Li-Ion :

Veuillez respecter les indications se trouvant dans le chapitre Transport (voir « Transport », Page 44).

# Português

## Instruções de segurança

### Indicações gerais de advertência para ferramentas eléctricas



#### AVISO

Devem ser lidas todas as indicações de segurança,

instruções, ilustrações e especificações desta ferramenta eléctrica. O desrespeito das instruções apresentadas abaixo poderá resultar em choque eléctrico, incêndio e/ou ferimentos graves.

#### Guarde bem todas as advertências e instruções para futura referência.

O termo "ferramenta eléctrica" utilizado a seguir nas indicações de advertência, refere-se a ferramentas eléctricas operadas com corrente de rede (com cabo de rede) e a ferramentas eléctricas operadas com acumulador (sem cabo de rede).

#### Segurança da área de trabalho

- ▶ **Mantenha a sua área de trabalho sempre limpa e bem iluminada.** Desordem ou áreas de trabalho insuficientemente iluminadas podem levar a acidentes.
- ▶ **Não trabalhar com a ferramenta eléctrica em áreas com risco de explosão, nas quais se encontrem líquidos, gases ou pós inflamáveis.** Ferramentas eléctricas produzem faíscas, que podem inflamar pós ou vapores.
- ▶ **Manter crianças e outras pessoas afastadas da ferramenta eléctrica durante a utilização.** No caso de distração é possível que perca o controlo sobre o aparelho.

#### Segurança eléctrica

- ▶ **A ficha de conexão da ferramenta eléctrica deve caber na tomada. A ficha não deve ser modificada de maneira alguma. Não utilizar uma ficha de adaptação junto com ferramentas eléctricas protegidas por ligação à terra.** Fichas não modificadas e tomadas apropriadas reduzem o risco de um choque eléctrico.
- ▶ **Evitar que o corpo possa entrar em contacto com superfícies ligadas à terra, como tubos, aquecimentos, fogões e frigoríficos.** Há um risco elevado devido a um choque eléctrico, se o corpo estiver ligado à terra.
- ▶ **Manter o aparelho afastado de chuva ou humidade.** A infiltração de água numa ferramenta eléctrica aumenta o risco de choque eléctrico.
- ▶ **Não deverá utilizar o cabo para outras finalidades. Nunca utilizar o cabo para transportar a ferramenta eléctrica, para pendurá-la, nem para puxar a ficha da tomada. Manter o cabo afastado do calor, do óleo, de arestas afiadas ou de peças em movimento.** Cabos danificados ou emaranhados aumentam o risco de um choque eléctrico.

- ▶ **Se trabalhar com uma ferramenta eléctrica ao ar livre, só deverá utilizar cabos de extensão apropriados para áreas exteriores.** A utilização de um cabo de extensão apropriado para áreas exteriores reduz o risco de um choque eléctrico.
- ▶ **Se não for possível evitar o funcionamento da ferramenta eléctrica em áreas húmidas, deverá ser utilizado um disjuntor de corrente de avaria.** A utilização de um disjuntor de corrente de avaria reduz o risco de um choque eléctrico.

#### Segurança de pessoas

- ▶ **Esteja atento, observe o que está a fazer e tenha prudência ao trabalhar com a ferramenta eléctrica. Não utilizar uma ferramenta eléctrica quando estiver fatigado ou sob a influência de drogas, álcool ou medicamentos.** Um momento de descuido ao utilizar a ferramenta eléctrica, pode levar a lesões graves.
- ▶ **Utilizar equipamento de protecção individual. Utilizar sempre óculos de protecção.** A utilização de equipamento de protecção pessoal, como máscara de protecção contra pó, sapatos de segurança antiderrapantes, capacete de segurança ou protecção auricular, de acordo com o tipo e aplicação da ferramenta eléctrica, reduz o risco de lesões.
- ▶ **Evitar uma colocação em funcionamento involuntária. Assegure-se de que a ferramenta eléctrica esteja desligada, antes de conectá-la à alimentação de rede e/ou ao acumulador, antes de levantá-la ou de transportá-la.** Se tiver o dedo no interruptor ao transportar a ferramenta eléctrica ou se o aparelho for conectado à alimentação de rede enquanto estiver ligado, poderão ocorrer acidentes.
- ▶ **Remover ferramentas de ajuste ou chaves de boca antes de ligar a ferramenta eléctrica.** Uma ferramenta ou chave que se encontre numa parte do aparelho em movimento pode levar a lesões.
- ▶ **Evite uma posição anormal. Mantenha uma posição firme e mantenha sempre o equilíbrio.** Desta forma é mais fácil controlar a ferramenta eléctrica em situações inesperadas.
- ▶ **Usar roupa apropriada. Não usar roupa larga nem jóias. Mantenha os cabelos e roupas afastados de peças em movimento.** Roupas frouxas, cabelos longos ou jóias podem ser agarrados por peças em movimento.
- ▶ **Se for possível montar dispositivos de aspiração ou de recolha, assegure-se de que estejam conectados e utilizados correctamente.** A utilização de uma aspiração de pó pode reduzir o perigo devido ao pó.
- ▶ **Não deixe que a familiaridade resultante de uma utilização frequente de ferramentas permita que você se torne complacente e ignore os princípios de segurança da ferramenta.** Uma acção descuidada pode causar ferimentos graves numa fracção de segundo.

### Utilização e manuseio cuidadoso de ferramentas eléctricas

- ▶ **Não sobrecarregue a ferramenta eléctrica. Utilize a ferramenta eléctrica apropriada para o seu trabalho.** É melhor e mais seguro trabalhar com a ferramenta eléctrica apropriada na área de potência indicada.
- ▶ **Não utilizar uma ferramenta eléctrica com um interruptor defeituoso.** Uma ferramenta eléctrica que não pode mais ser ligada nem desligada, é perigosa e deve ser reparada.
- ▶ **Puxar a ficha da tomada e/ou remover o acumulador, se amovível, antes de executar ajustes na ferramenta eléctrica, de substituir acessórios ou de guardar as ferramentas eléctricas.** Esta medida de segurança evita o arranque involuntário da ferramenta eléctrica.
- ▶ **Guardar ferramentas eléctricas não utilizadas fora do alcance de crianças e não permitir que as pessoas que não estejam familiarizadas com o aparelho ou que não tenham lido estas instruções utilizem o aparelho.** Ferramentas eléctricas são perigosas se forem utilizadas por pessoas inexperientes.
- ▶ **Tratar a ferramenta eléctrica e os acessórios com cuidado. Controlar se as partes móveis do aparelho funcionam perfeitamente e não emperram, e se há peças quebradas ou danificadas que possam prejudicar o funcionamento da ferramenta eléctrica. Permitir que peças danificadas sejam reparadas antes da utilização.** Muitos acidentes têm como causa, a manutenção insuficiente de ferramentas eléctricas.
- ▶ **Manter as ferramentas de corte afiadas e limpas.** Ferramentas de corte cuidadosamente tratadas e com cantos de corte afiados emperram com menos frequência e podem ser conduzidas com maior facilidade.
- ▶ **Utilizar a ferramenta eléctrica, acessórios, ferramentas de aplicação, etc. conforme estas instruções. Considerar as condições de trabalho e a tarefa a ser executada.** A utilização de ferramentas eléctricas para outras tarefas a não ser as aplicações previstas, pode levar a situações perigosas.
- ▶ **Mantenha os punhos e as superfícies de agarrar secas, limpas e livres de óleo e massa consistente.** Punhos e superfícies de agarrar escorregadias não permitem o manuseio e controle seguros da ferramenta em situações inesperadas.

### Manuseio e utilização cuidadosos de ferramentas com acumuladores

- ▶ **Só carregar acumuladores em carregadores recomendados pelo fabricante.** Há perigo de incêndio se um carregador apropriado para um certo tipo de acumuladores for utilizado para carregar acumuladores de outros tipos.
- ▶ **Só utilizar ferramentas eléctricas com os acumuladores apropriados.** A utilização de outros acumuladores pode levar a lesões e perigo de incêndio.
- ▶ **Manter o acumulador que não está sendo utilizado afastado de cliques, moedas, chaves, parafusos ou**

**outros pequenos objectos metálicos que possam causar um curto-circuito dos contactos.** Um curto-circuito entre os contactos do acumulador pode ter como consequência queimaduras ou fogo.

- ▶ **No caso de aplicação incorrecta pode vaziar líquido do acumulador. Evitar o contacto. No caso de um contacto accidental, deverá enxaguar com água. Se o líquido entrar em contacto com os olhos, também deverá consultar um médico.** Líquido que escapa do acumulador pode levar a irritações da pele ou a queimaduras.
- ▶ **Não use um acumulador ou uma ferramenta danificada ou modificada.** Os acumuladores danificados ou modificados exibem um comportamento imprevisível podendo causar incêndio, explosão ou risco de lesão.
- ▶ **Não exponha o acumulador ou a ferramenta ao fogo ou temperatura excessiva.** A exposição ao fogo ou a temperaturas acima de 130 °C pode causar explosão.
- ▶ **Siga todas as instruções de carregamento e não carregue o acumulador ou a ferramenta fora da faixa de temperatura especificada no manual de instruções.** Carregar indevidamente ou em temperaturas fora da faixa especificada pode danificar o acumulador e aumentar o risco de incêndio.

### Serviço

- ▶ **Só permita que o seu aparelho seja reparado por pessoal especializado e qualificado e só com peças de reposição originais.** Desta forma é assegurado o funcionamento seguro do aparelho.
- ▶ **Nunca tente reparar acumuladores danificados.** A reparação de acumuladores deve ser realizada apenas pelo fabricante ou agentes de assistência autorizados.

### Instruções de segurança para serras circulares de mesa


#### Indicações relacionadas com as proteções

- ▶ **Mantenha as proteções no devido lugar. As proteções devem estar em perfeitas condições de funcionamento e devidamente montadas.** Uma proteção que esteja solta, danificada ou que não esteja a funcionar corretamente deverá ser reparada ou substituída.
- ▶ **Utilize sempre a proteção do disco de serra e a cunha abridora em todas as operações de corte completo.** Nas operações de corte completo nas quais o disco de serra corta completamente através da espessura da peça de trabalho, a proteção e outros dispositivos de segurança ajudam a reduzir o risco de ferimentos.
- ▶ **Depois de completar um corte não transversal, tal como ensabladura, restaure a cunha abridora para a posição estendida. Com a cunha abridora na posição estendida, volte a fixar a proteção do disco.** A proteção e a cunha abridora ajudam a reduzir o risco de ferimentos.
- ▶ **Certifique-se de que o disco de serra não está em contacto com a proteção, com a cunha abridora ou**

com a peça de trabalho antes de ligar o interruptor. O contacto inadvertido destes itens com o disco de serra pode provocar uma situação de rico.

- ▶ **Ajuste a cunha abridora tal como descrito neste manual de instruções.** O espaçamento, posicionamento e alinhamento incorretos pode tornar a cunha abridora ineficaz na redução da probabilidade do efeito de coice.
- ▶ **Para que a cunha abridora funcione devidamente, esta tem de ser engatada na peça de trabalho.** A cunha abridora é ineficaz ao cortar peças de trabalho que são demasiado curtas para engatar na cunha abridora. Sob estas condições, a cunha abridora não poderá evitar o efeito de coice.
- ▶ **Utilize o disco de serra apropriado para a cunha abridora.** Para que a cunha abridora funcione devidamente, o diâmetro do disco de serra tem de se adaptar à cunha abridora apropriada e o corpo do disco de serra tem de ser mais fino do que a espessura da cunha abridora e a largura de corte do disco de serra tem de ser mais ampla do que a espessura da cunha abridora.

#### Indicações relacionadas com os procedimentos de corte

- ▶  **PERIGO: Nunca coloque os dedos ou as mãos nas proximidades ou em linha com o disco de serra.** Um momento de desatenção ou um deslize pode fazer com que a sua mão avance na direção do disco de serra e resultar em ferimentos pessoais graves.
- ▶ **Faça avançar a peça de trabalho para o disco de serra apenas contra o sentido de rotação.** Se fizer avançar a peça de trabalho no mesmo sentido que o disco de serra está a rodar acima da mesa, pode fazer com que a peça de trabalho e a sua mão sejam puxados na direção do disco de serra.
- ▶ **Nunca utilize o calibre de meia-esquadria para fazer avançar a peça de trabalho ao efetuar cortes longitudinais e não utilize a guia de corte como batente longitudinal ao efetuar cortes transversais com o calibre de meia-esquadria.** Ao guiar a peça de trabalho com a guia de corte e o calibre de meia-esquadria em simultâneo aumenta a probabilidade de o disco de serra bloquear e produzir o efeito de coice.
- ▶ **Ao efetuar cortes longitudinais, mantenha sempre a peça de trabalho em pleno contacto com a guia de corte e aplique sempre a força de avanço da peça de trabalho entre a guia de corte e o disco de serra. Utilize um suporte para empurrar quando a distância entre a guia de corte e o disco de serra for inferior a 150 mm e utilize um bloco para empurrar quando a distância for inferior a 50 mm.** Os dispositivos de "auxílio ao trabalho" mantêm as suas mãos a uma distância segura do disco de serra.
- ▶ **Utilize apenas o suporte para empurrar fornecido pelo fabricante ou fabricado de acordo com as instruções.** Este suporte para empurrar garante uma distância suficiente da mão em relação ao disco de serra.
- ▶ **Nunca utilize um suporte para empurrar danificado ou cortado.** Um suporte para empurrar danificado ou

cortado pode partir-se e fazer com que a sua mão deslize para o disco de serra.

- ▶ **Não execute qualquer operação à "mão livre". Utilize sempre a guia de corte ou o calibre de meia-esquadria para posicionar e guiar a peça de trabalho.** À "mão livre" significa usar as suas mãos para suportar ou guiar a peça de trabalho, em vez de uma guia de corte ou calibre de meia-esquadria. O corte à mão livre resulta em desalinhamentos, bloqueios e efeitos de coice.
- ▶ **Nunca coloque as suas mãos nas proximidades ou acima de um disco de serra em rotação.** O manuseamento da peça de trabalho pode resultar num contacto acidental com o disco de serra em movimento.
- ▶ **Providencie um suporte auxiliar da peça de trabalho nas partes posterior e/ou laterais da mesa da serra para peças de trabalho compridas e/ou largas para as manter niveladas.** Uma peça de trabalho comprida e/ou larga tem uma tendência para rodar na extremidade da mesa, causando perda de controlo, bloqueio e efeito de coice no disco de serra.
- ▶ **Faça avançar a peça de trabalho com um ritmo uniforme. Não dobre, torça ou desloque a peça de trabalho de um lado ao outro. Se ocorrer um encravamento, desligue a ferramenta imediatamente, desligue a ferramenta da tomada e, a seguir, elimine o encravamento.** O encravamento do disco de serra pela peça de trabalho pode provocar o efeito de coice ou parar o motor.
- ▶ **Não retire os pedaços do material cortado enquanto a serra estiver em funcionamento.** O material pode ficar preso entre a guia de corte ou o interior da proteção e o disco de serra, puxando os dedos para o disco de serra. Antes de retirar o material, desligue a serra e espere até que o disco de serra pare.
- ▶ **Ao efetuar cortes longitudinais em peças de trabalho com uma espessura inferior a 2 mm, utilize uma guia de corte auxiliar em contacto com a superfície superior da mesa.** Uma peça de trabalho fina pode ficar presa sob a guia de corte e produzir um efeito de coice.

#### Causas do efeito de coice e indicações relacionadas

O efeito de coice é uma reação súbita da peça de trabalho devido a um disco de serra entalado ou bloqueado ou a uma linha de corte desalinhada na peça de trabalho em relação ao disco de serra ou quando uma parte da peça de trabalho bloqueia entre o disco de serra e a guia de corte ou outro objeto fixo.

Muito frequentemente, durante o efeito de coice, a peça de trabalho é levantada da mesa a partir da parte posterior do disco de serra e é projetada na direção do operador.

O efeito de coice é o resultado de uma utilização abusiva e/ou condições ou procedimentos incorretos de utilização da serra e pode ser evitado tomando as precauções indicadas abaixo.

- ▶ **Nunca se coloque diretamente em linha com o disco de serra. Posicione sempre o seu corpo do mesmo lado do disco de serra no qual se encontra a guia de corte.** O efeito de coice pode projetar a peça de trabalho

a alta velocidade na direção de qualquer pessoa que se encontre à frente e em linha com o disco de serra.

- ▶ **Nunca coloque as mãos por cima ou atrás do disco de serra para puxar ou apoiar a peça de trabalho.** Poderá ocorrer um contacto acidental com o disco de serra ou o efeito de coice poderá arrastar os seus dedos para o disco de serra.
- ▶ **Nunca segure nem pressione a peça de trabalho que está a ser cortada contra o disco de serra em rotação.** Se pressionar a peça de trabalho que está a ser cortada contra o disco de serra, irá criar uma condição de bloqueio e um efeito de coice.
- ▶ **Alinhe a guia de corte de forma a que esta fique paralela com o disco de serra.** Uma guia de corte mal alinhada irá apertar a peça de trabalho contra o disco de serra e criar um efeito de coice.
- ▶ **Utilize uma "guia com dedos" para guiar a peça de trabalho contra a mesa e a guia de corte ao realizar cortes parciais tais como ensabladura.** Uma "guia com dedos" ajuda a controlar a peça de trabalho na eventualidade de um efeito de coice.
- ▶ **Apoie painéis grandes para reduzir o risco de entalamento e o efeito de coice do disco de serra.** Os painéis grandes tendem a abater sob o seu próprio peso. O(s) apoio(s) deve(m) ser colocado(s) sob todas as partes do painel suspensas a partir da superfície superior da mesa.
- ▶ **Tenha especial cuidado ao cortar uma peça de trabalho que está torcida, entrançada, deformada ou que não possui uma aresta reta para que possa ser guiada com um calibre de meia-esquadria ou ao longo da guia de corte.** Uma peça de trabalho deformada, entrançada ou torcida é instável e provoca o desalinhamento do corte com o disco de serra e, por conseguinte, o bloqueio e efeito de coice.
- ▶ **Nunca corte mais do que uma peça de trabalho, empilhada na vertical ou horizontal.** O disco de serra pode engatar em uma ou mais peças e provocar o efeito de coice.
- ▶ **Quando reiniciar a serra com o disco de serra na peça, centre o disco de serra no corte para que os dentes da serra não fiquem engatados no material.** Se o disco de serra bloquear, pode levantar a peça de trabalho e provocar um efeito de coice quando a serra for reiniciada.
- ▶ **Mantenha os discos de serra limpos, afiados e com orientação suficiente. Nunca utilize discos de serra deformados ou discos de serra com dentes rachados ou partidos.** Os discos de serra afiados e devidamente orientados minimizam o bloqueio, a paragem e o efeito de coice.

#### Indicações relacionadas com o procedimento operacional da serra circular de mesa

- ▶ **Desligue a serra circular de mesa e desligue o acumulador ao remover o adaptador da mesa, ao substituir o disco de serra ou ao efetuar ajustes na proteção da cunha abridora ou na proteção do disco**

**de serra, e quando a máquina é deixada sem supervisão.** As medidas preventivas evitarão os acidentes.

- ▶ **Nunca deixe a serra circular de mesa a funcionar sem supervisão. Desligue-a e não abandone a ferramenta até esta parar completamente.** Uma serra a funcionar sem supervisão constitui um risco sem controlo.
- ▶ **Coloque a serra circular de mesa numa área de trabalho bem iluminada e plana onde possa assegurar uma posição firme e equilibrada. Esta deverá ser instalada numa área com espaço suficiente que permita manusear facilmente a sua peça de trabalho.** As áreas apertadas e escuras e com pisos irregulares e escorregadios podem levar à ocorrência de acidentes.
- ▶ **Limpe e remova frequentemente a serradura debaixo da mesa da serra e/ou o dispositivo de recolha do pó.** A serradura acumulada é combustível e pode autoinflamar-se.
- ▶ **A serra circular de mesa deve ser fixada.** Uma serra circular de mesa que não esteja devidamente fixada pode mover-se ou tombar.
- ▶ **Remova as ferramentas, aparas de madeira, etc. da mesa antes de ligar a serra circular de mesa.** Uma distração ou um potencial bloqueio poderá ser perigoso.
- ▶ **Utilize sempre discos de serra com furos interiores de tamanho e forma corretos (diamante versus redondo).** Os discos de serra que não coincidam com o hardware de montagem da serra ficam descentrados, causando perda de controlo.
- ▶ **Nunca utilize elementos de montagem do disco de serra danificados ou incorretos, tais como flanges, anilhas, parafusos ou porcas de disco de serra.** Esses elementos de montagem foram especialmente concebidos para a sua serra, para uma operação segura e excelente rendimento.
- ▶ **Nunca suba para cima da serra circular de mesa, não a utilize como escadote.** Poderão ocorrer ferimentos graves se a ferramenta tombar ou se houver um contacto inadvertido com a ferramenta de corte.
- ▶ **Certifique-se de que o disco de serra é instalado para rodar no sentido correto. Não utilize discos de lixa, catrabuchas tipo tacho ou discos abrasivos numa serra circular de mesa.** A instalação inadequada do disco de serra ou a utilização de acessórios não recomendados pode provocar ferimentos graves.

#### Instruções de segurança adicionais

- ▶ **Para a montagem do disco de serra é necessário usar luvas de proteção.** Existe perigo de ferimentos.
- ▶ **Não use discos de serra de aço HSS.** Estes discos de serra podem quebrar facilmente.
- ▶ **Só utilizar discos de serra que correspondam aos dados característicos indicados nesta instrução de serviço e na ferramenta elétrica e que sejam controlados conforme EN 847-1 e respetivamente marcados.**



- ▶ **Nunca utilize a ferramenta elétrica sem o encaixe de mesa. Substitua um encaixe de mesa com defeito.**  
Sem um encaixe de mesa em perfeitas condições pode sofrer ferimentos no disco de serra.
- ▶ **Mantenha o local de trabalho limpo.** As misturas de materiais são muito perigosas. Pó de metal leve pode queimar ou explodir.
- ▶ **Selecione o disco de serra apropriado para o material com que deseja trabalhar.**
- ▶ **Só usar lâminas de serra recomendadas pelo fabricante desta ferramenta elétrica e apropriadas para o material com que deseja trabalhar.**
- ▶ **Desloque a peça apenas contra o disco de serra em rotação.** Caso contrário há risco de um contragolpe, se a lâmina de serra se engancha na peça a ser trabalhada.
- ▶ **Em caso de danos e de utilização incorreta da bateria, podem escapar vapores. A bateria pode incendiar-se ou explodir.** Areje o espaço e procure assistência médica no caso de apresentar queixas. É possível que os vapores irrite as vias respiratórias.
- ▶ **Não abrir o acumulador.** Há risco de um curto-circuito.
- ▶ **Os objetos afiados como, p. ex., pregos ou chaves de fendas, assim como o efeito de forças externas podem danificar o acumulador.** Podem causar um curto-circuito interno e o acumulador pode ficar queimado, deitar fumo, explodir ou sobreaquecer.
- ▶ **Use a bateria apenas em produtos do fabricante.** Só assim é que a bateria é protegida contra sobrecarga perigosa.



**Proteger a bateria contra calor, p. ex. também contra uma permanente radiação solar, fogo, sujidade, água e humidade.** Há risco de explosão ou de um curto-circuito.



## Símbolos

Os seguintes símbolos podem ser importantes para a utilização da sua ferramenta elétrica. Os símbolos e os seus significados devem ser memorizados. A interpretação correta dos símbolos facilita a utilização segura e aprimorada da ferramenta elétrica.

### Símbolos e seus significados



**Mantenha as mãos afastadas da área de corte enquanto a ferramenta elétrica estiver em funcionamento.** Há perigo de ferimentos se houver contacto com o disco de serra.



**Use uma máscara de proteção contra pó.**

### Símbolos e seus significados

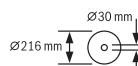


**Use proteção auditiva.** Ruídos podem provocar a surdez.



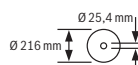
**Use óculos de proteção.**

**3 601 M44 000** Observe as dimensões do disco de serra.  
**3 601 M44 0K0** Não deve haver folga entre o diâmetro do orifício e o veio da ferramenta. Se for necessária a utilização de peças



reductoras, certifique-se de que as dimensões da peça redutora são adequadas para a espessura da base do disco e ao diâmetro do furo do disco de serra, assim como o diâmetro do veio da ferramenta. Se possível, use a peça redutora fornecida junto com o disco de serra.

**3 601 M44 0B0**



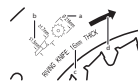
O diâmetro do disco de serra tem de corresponder à indicação no símbolo.

**3 601 M44 000**

**3 601 M44 0K0**

**3 601 M44 040**

**a** O diâmetro do disco de serra pode ser no máximo de 216 mm.



**b** Ao substituir o disco de serra, certifique-se de que a largura de corte não é inferior a 1,7 mm e que a espessura da base do disco não é superior a 1,5 mm. Caso contrário, existe o risco que a cunha abridora prender na peça.

**c** A espessura da cunha abridora é de 1,6 mm.

**d** O sentido de corte dos dentes (sentido da seta no disco de serra) tem de coincidir com o sentido da seta na cunha abridora.

**3 601 M44 0B0**



**a** O diâmetro do disco de serra pode ser no máximo de 216 mm.

**b** Ao substituir o disco de serra, certifique-se de que a largura de corte não é inferior a 2,3 mm e que a espessura da base do disco não é superior a 2,1 mm. Caso contrário, existe o risco que a cunha abridora prender na peça.

**c** A espessura da cunha abridora é de 2,2 mm.

**d** O sentido de corte dos dentes (sentido da seta no disco de serra) tem de

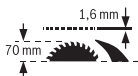
**Símbolos e seus significados**

coincidir com o sentido da seta na cunha abridora.

**3 601 M44 000** A espessura da cunha abridora é de

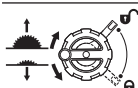
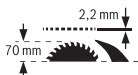
**3 601 M44 0K0** 1,6 mm.

**3 601 M44 040** A altura máxima possível da peça é de 70 mm.



**3 601 M44 0B0** A espessura da cunha abridora é de 2,2 mm.

A altura máxima possível da peça é de 70 mm.

**Lado esquerdo:**

Indica o sentido de rotação da manivela para afundar (**posição de transporte**) e elevar (**posição de trabalho**) o disco de serra.

**Lado direito:**

Indica a posição da alavanca de bloqueio para fixar o disco de serra e ao ajustar o ângulo de meia-esquadria vertical (disco de serra oscilável).



Com a marcação CE, o fabricante confirma que a ferramenta elétrica está em conformidade com as diretivas da UE aplicáveis.

**Descrição do produto e do serviço**

**Leia todas as instruções de segurança e instruções.** A inobservância das instruções de segurança e das instruções pode causar choque elétrico, incêndio e/ou ferimentos graves.

Respeite as figuras na parte da frente do manual de instruções.

**Utilização adequada**

A ferramenta elétrica é destinada à utilização como aparelho estacionário, para cortes longitudinais e transversais, retos, em madeira dura e macia, assim como placas de aglomerado de madeira e de fibras. São possíveis ângulos de meia-esquadria horizontais de  $-30^\circ$  a  $+30^\circ$  e ângulos de meia-esquadria verticais de  $0^\circ$  a  $45^\circ$ .

Utilizando os respetivos discos de serra é possível serrar perfis de alumínio e de plástico.

**Componentes ilustrados**

A numeração dos componentes ilustrados refere-se à apresentação da ferramenta elétrica na página de esquemas.

- (1) Escala para distância entre a de serra e a guia paralela
- (2) Guia angular
- (3) Cobertura de proteção
- (4) Cunha abridora
- (5) Guia paralela
- (6) Conjunto de extensão da mesa de serra
- (7) Depósito guia angular
- (8) Orifícios para montagem
- (9) Chave anular (23 mm; 13 mm)
- (10) Chave sextavada interior (5 mm)
- (11) Suporte para armazenamento da cobertura de proteção
- (12) Pau para empurrar
- (13) Punho de aperto para conjunto de extensão da mesa de serra
- (14) Roda manual
- (15) Manivela para subir e descer o disco de serra
- (16) Interruptor de ligar/desligar
- (17) Bateria<sup>a)</sup>
- (18) Batente para ângulo de meia-esquadria de  $45^\circ$  (vertical)
- (19) Escala para ângulo de meia-esquadria (vertical)
- (20) Alavanca de bloqueio para ajustar o ângulo vertical de meia-esquadria
- (21) Indicador de ângulo (vertical)
- (22) Batente para ângulo de meia-esquadria de  $0^\circ$  (vertical)
- (23) Mesa de serra
- (24) Parafuso de ajuste para a força de aperto da guia paralela
- (25) Inserto de mesa
- (26) Disco de serra
- (27) Ranhura de guia para a guia paralela
- (28) Tecla de destravamento da bateria<sup>a)</sup>
- (29) Pega de transporte
- (30) Ranhura de guia para a guia paralela
- (31) Adaptador de aspiração
- (32) Ranhura de guia em V na mesa de serra para a guia paralela
- (33) Grelha da base
- (34) Parafuso de travamento da grelha base
- (35) Marcações alavanca de fixação/fixação
- (36) Alavanca de aperto da cunha abridora
- (37) Pino de posicionamento para a cunha abridora
- (38) Parafuso de travamento do inserto de mesa
- (39) Alavanca de aperto da cobertura de proteção
- (40) Pinos de guia da cobertura de proteção
- (41) Punho de aperto da guia paralela
- (42) Guia em forma de V da guia paralela

- (43) Limitador paralelo adicional
- (44) Conjunto de fixação «Guia paralela adicional»
- (45) Calha de guia da guia angular
- (46) Cobertura inferior do disco de serra
- (47) Lingueta da cobertura inferior do disco de serra
- (48) Orifício para os dedos para levantar o inserto de mesa
- (49) Porca de aperto
- (50) Alavanca de bloqueio do veio
- (51) Flange de aperto
- (52) Flange de admissão
- (53) Veio da ferramenta
- (54) Manípulo de fixação para qualquer ângulo de meia-esquadria (horizontal)
- (55) Indicador de ângulo na guia angular
- (56) Indicação da escala
- (57) Indicador de distância da mesa de serra
- (58) Parafuso de fenda em cruz para ajustar o batente 0°
- (59) Parafuso para indicador de ângulo (vertical)
- (60) Parafuso de fenda em cruz para ajustar o batente 45°
- (61) Parafusos de sextavado interior (5 mm) à frente para ajustar a paralelidade do disco de serra
- (62) Parafusos de sextavado interior (5 mm) atrás para ajustar a paralelidade do disco de serra
- (63) Parafuso para o indicador de distância da mesa de serra
- (64) Parafusos de sextavado interior (5 mm) para ajustar o paralelismo da guia paralela
- (65) Parafuso para o indicador de distância da guia paralela
- (66) Parafusos de ajuste para inserto de mesa
- (67) Depósito pau para empurrar
- (68) Depósito chave sextavada interior
- (69) Depósito chave anular
- a) **Accessórios apresentados ou descritos não pertencem ao volume de fornecimento padrão. Todos os acessórios encontram-se no nosso programa de acessórios.**

### Dados técnicos

Serra circular de mesa		GTS 18V-216	GTS 18V-216
Número de produto		<b>3 601 M44 000</b> <b>3 601 M44 040</b> <b>3 601 M44 0K0</b>	<b>3 601 M44 0B0</b>
Tensão nominal	V=	18	18
N.º de rotações em vazio <sup>A)</sup>	r.p.m.	4500	4500
Limitação de corrente de arranque		●	●
Peso conforme EPTA-Procedure 01:2014 <sup>B)</sup>	kg	20,5–21,6	20,5–21,6
Temperatura ambiente recomendada durante o carregamento	°C	0...+35	0...+35
Temperatura ambiente admissível em funcionamento <sup>C)</sup> e durante o armazenamento	°C	-20...+50	-20...+50
Baterias compatíveis		GBA 18V... ProCORE18V...	GBA 18V... ProCORE18V...
Baterias recomendadas para potência máxima		ProCORE18V... ≥ 5,5 Ah	ProCORE18V... ≥ 5,5 Ah
Carregadores recomendados		GAL 18... GAX 18... GAL 36...	GAL 18... GAX 18... GAL 36...
<b>Dimensões (incluindo elementos do aparelho amovível)</b>			
Largura x Profundidade x Altura	mm	658 x 332 x 553	658 x 332 x 553
<b>Medidas de discos de serra apropriados</b>			
Diâmetro do disco de serra	mm	216	216
Espessura da base do disco	mm	<1,5	1,5–2,1
Min. espessura/torção dos dentes	mm	>1,7	>2,3

Serra circular de mesa	GTS 18V-216	GTS 18V-216
Diâmetro do furo	mm	25,4

A) Medido a 20–25 °C com bateria **ProCORE18V 12.0Ah**.

B) dependendo da bateria utilizada

C) Potência limitada com temperaturas <0 °C

Dimensões máximas da peça: (ver "Máximas dimensões da peça a ser trabalhada", Página 58)

Os valores podem variar em função do produto e estar sujeitos a condições de aplicação e do meio ambiente. Para mais informações consulte [www.bosch-professional.com/wac](http://www.bosch-professional.com/wac).

## Informação sobre ruídos

Os valores de emissão de ruído foram determinados de acordo com **EN 62841-3-1**.

O nível sonoro avaliado como A da ferramenta elétrica é normalmente de: nível de pressão sonora **81 dB(A)**; nível de potência sonora **94 dB(A)**. Incerteza K = **3 dB**.

### Utilizar proteção auditiva!

O nível de emissões sonoras indicado nestas instruções de serviço foi medido de acordo com um processo de medição normalizado e pode ser utilizado para a comparação de ferramentas elétricas. Ele também é apropriado para uma avaliação provisória da emissão sonora.

O nível de emissões sonoras indicado representa as aplicações principais da ferramenta elétrica. Se a ferramenta elétrica for utilizada para outras aplicações, com outras ferramentas de trabalho ou com manutenção insuficiente, é possível que o nível de emissões sonoras seja diferente. Isto pode aumentar sensivelmente a emissão sonora para o período completo de trabalho.

Para uma estimativa exata da emissão sonora, também deveriam ser considerados os períodos nos quais o aparelho está desligado ou funciona, mas não está sendo utilizado. Isto pode reduzir a emissão sonora durante o completo período de trabalho.

## Bateria

**Bosch** vende ferramentas elétricas sem fio também sem bateria. Pode consultar na embalagem se está incluída uma bateria no volume de fornecimento da sua ferramenta elétrica.

### Carregar a bateria

► **Utilize apenas os carregadores listados nos dados técnicos.** Só estes carregadores são apropriados para as baterias de lítio utilizadas para a sua ferramenta elétrica.

**Nota:** devido a normas de transporte internacionais, as baterias de lítio são fornecidas parcialmente carregadas. Para assegurar a completa potência da bateria, a bateria deverá ser carregada completamente antes da primeira utilização.

### Colocar a bateria

Insira a bateria carregada no respetivo encaixe, até que esta esteja engatada.



**Bosch** recomenda a utilização de baterias com uma capacidade de pelo menos 3,0 Ah.

### Retirar a bateria

Para retirar a bateria, pressione a respetiva tecla de desbloqueio e puxe a bateria para fora. **Não empregue força.**

A bateria possui 2 níveis de travamento, que devem evitar, que a bateria caia, caso a tecla de desbloqueio da bateria seja premida por acaso. Enquanto a bateria estiver dentro da ferramenta elétrica, ela é mantida em posição por uma mola.

### Indicador do nível de carga da bateria

Os LEDs verdes do indicador do nível de carga da bateria indicam o nível de carga da bateria. Por motivos de segurança, a consulta do nível de carga só é possível com a ferramenta elétrica parada.

Prima a tecla para o indicador do nível de carga da bateria ou para visualizar o nível de carga. Isto também é possível com a bateria removida.

Se, depois de premir a tecla para o indicador do nível de carga da bateria, não se acender qualquer LED, a bateria tem defeito e tem de ser substituída.

### Tipo de bateria GBA 18V...



LED	Capacidade
Luz permanente 3 × verde	60–100 %
Luz permanente 2 × verde	30–60 %
Luz permanente 1 × verde	5–30 %
Luz intermitente 1 × verde	0–5 %

### Tipo de bateria ProCORE18V...



LED	Capacidade
Luz permanente 5 × verde	80–100 %
Luz permanente 4 × verde	60–80 %
Luz permanente 3 × verde	40–60 %

LED	Capacidade
Luz permanente 2 × verde	20–40 %
Luz permanente 1 × verde	5–20 %
Luz intermitente 1 × verde	0–5 %

### Indicações sobre o manuseio ideal da bateria

Proteger a bateria contra humidade e água.

Armazene a bateria apenas na faixa de temperatura de -20 °C a 50 °C. Por exemplo, não deixe a bateria dentro do automóvel no verão.

Limpar de vez em quando as aberturas de ventilação da bateria com um pincel macio, limpo e seco.

Um tempo de funcionamento reduzido após o carregamento indica que a bateria está gasta e que deve ser substituída.

Observe as indicações sobre a eliminação de forma ecológica.

## Montagem

► **A bateria deverá ser retirada antes de todos os trabalhos na ferramenta elétrica (p. ex. manutenção, troca de ferramenta etc.) e antes de transportar ou de armazenar a mesma.** Há perigo de ferimentos se o interruptor de ligar/desligar for acionado involuntariamente.

### Volume de fornecimento

Antes de colocar a ferramenta elétrica em funcionamento pela primeira vez, deverá verificar se todas as peças especificadas abaixo foram fornecidas:

- Serra de mesa com disco de serra montado **(26)** e cunha abridora **(4)**
- Guia angular **(2)**
- Guia paralela **(5)**
- Guia paralela adicional **(43)**
- Conjunto de fixação «Guia paralela adicional» **(44)** (2 parafusos de fixação, 2 anilhas, 2 porcas de orelhas)
- Cobertura de proteção **(3)**
- Chave sextavada interior **(10)**
- Chave anular **(9)** com ponta de chave de fenda
- Pau para empurrar **(12)**
- Inseto de mesa **(25)**

**Nota:** verifique se a ferramenta elétrica apresenta danos. Antes de continuar a utilizar a ferramenta elétrica, deverá controlar cuidadosamente todos os dispositivos de segurança e peças levemente danificadas e verificar se estão a funcionar corretamente. Verifique se as peças móveis funcionam perfeitamente e não empernam, ou se há peças danificadas. Todas as peças devem ser montadas corretamente e corresponder a todas as exigências, para que seja assegurado um funcionamento impecável. Dispositivos de segurança e peças danificados devem ser devidamente reparados ou substituídos por uma oficina especializada.

### Ferramentas necessárias além das fornecidas:

- Chave de estrela
- Calibre angular

### Montagem de componentes individuais

- Retire todas as peças fornecidas cuidadosamente das respetivas embalagens.
- Remova todo o material de embalagem da ferramenta elétrica e dos acessórios fornecidos.
- Rode os parafusos de travamento **(34)** com a ponta da chave anular **(9)** até ao batente no sentido de rotação "Cadeado aberto" e abra a grelha da base **(33)** (ver figura a).
- Retire o material de embalagem do bloco do motor. Diretamente na carcaça estão fixos os seguintes elementos do aparelho: pau para empurrar **(12)**, chave anular **(9)**, chave sextavada interior **(10)**, guia paralela **(5)**, guia angular **(2)**, adaptador de aspiração **(31)**, guia paralela adicional **(43)** com conjunto de fixação **(44)**, cobertura de proteção **(3)**.
- Assim que necessitar um destes elementos do aparelho, retire o mesmo com cuidado do depósito de armazenamento.

### Posicionar a cunha abridora (ver figuras b1–b2)

**Nota:** Se necessário, deverá limpar todas as partes a montar antes de serem posicionadas.

- Rode a manivela **(15)** para a direita até ao batente, para que o disco de serra **(26)** se encontre na posição mais alta possível sobre a mesa de serra.
  - Solte a alavanca de fixação **(36)** rodando-a para a direita, até ficar virada para a cima.
  - Empurre a cunha abridora **(4)** no sentido da alavanca de aperto **(36)**, até poder ser puxada para cima.
  - Puxe a cunha abridora totalmente para cima de forma a que fique posicionada exatamente sobre o centro do disco de serra.
  - Deixe os dois pinos **(37)** engatarem nos furos inferiores na cunha abridora e volte a apertar a alavanca de aperto **(36)**.
- As marcações **(35)** na fixação e na alavanca de fixação **(36)** têm de estar alinhadas, como indicado.

### Montar o inserto de mesa (ver figura c)

- Coloque o inserto de mesa **(25)** sobre a cunha abridora **(4)** no compartimento da ferramenta.
- Rode os parafusos de travamento **(38)** com a ponta da chave anular **(9)** até ao batente no sentido de rotação "Cadeado fechado".

A parte da frente do inserto de mesa **(25)** tem de ficar à face ou um pouco abaixo da mesa de serra, a parte de trás tem de estar à face ou um pouco acima da mesa de serra.

### Montar a cobertura de proteção (ver figuras d1–d2)

**Nota:** Monte a cobertura de proteção apenas, se a cunha abridora na posição mais alta estiver posicionada exatamente acima do meio do disco de serra (ver figura b2).

Não monte a cobertura de proteção, se a cunha abridora se encontrar na posição mais baixa (estado de fornecimento ou posição de serrar ranhuras (ver figura b1).

- Solte a alavanca de aperto (39) e retire a cobertura de proteção (3) do suporte (11).
- Com uma mão segure a proteção do disco de serra (calha de metal superior) da cobertura de proteção (3) e com a outra mão puxe a alavanca de aperto (39) para cima.
- Empurre os pinos de guia (40) para trás na ranhura na cunha abridora (4).
- Empurre a cobertura de proteção (3) para baixo, até a proteção do disco de serra (calha de metal superior) ficar **paralela** à superfície da mesa de serra (23).
- Pressione a alavanca de aperto (39) para baixo. A alavanca de aperto tem de engatar nítida e audivelmente e a cobertura de proteção (3) tem de estar bem montada e de forma segura.

► **Verifique antes de cada utilização se a cobertura de proteção se move sem problemas. Não utilize a ferramenta elétrica, se a cobertura de proteção não se mover livremente e não se fechar de imediato.**

#### Montar a guia paralela (ver figura e)

A guia paralela (5) pode ser montada à esquerda ou à direita do disco de serra.

- Solte o punho de aperto (41) da guia paralela (5). Desta forma, é aliviada a guia em V (42).
- Coloque primeiro a guia paralela com a guia em V na ranhura de guia (32) da mesa de serra. Depois, posicione a guia paralela na ranhura de guia dianteira (27) da mesa de serra.

A guia paralela pode agora ser deslocada como desejar.

- Para fixar a guia paralela pressione o punho de aperto (41) para baixo.

#### Montar a guia paralela adicional (ver figura f)

**Para cortar peças estreitas e em ângulo de meia-esquadria vertical** tem de montar a guia paralela adicional (43) na guia paralela (5).

A guia paralela adicional, poder ser montada opcionalmente à esquerda ou a direita na guia paralela (5).

Para a montagem use o conjunto de fixação "Guia paralela adicional" (44) (2 parafuso de fixação, 2 anilhas, 2 porcas de orelhas).

- Introduza os parafusos de fixação nos furos laterais na guia paralela (5).
- As cabeças dos parafusos servem de guia para a guia paralela adicional.
- Desloque a guia paralela adicional (43) sobre as cabeças dos parafusos de fixação.
- Coloque as anilhas sobre os parafusos de fixação e aperte os parafusos com a ajuda das porcas de orelhas.

#### Montar a guia angular (ver figura g)

- Introduza a guia (45) da guia angular (2) numa das ranhuras de guia (30) previstas para o fim da mesa de serra.

#### Montagem estacionária ou flexível

► **Para assegurar um manuseio seguro, é necessário que, antes da utilização, a ferramenta elétrica seja montada sobre uma superfície de trabalho plana e estável (p. ex. bancada de trabalho).**

#### Montagem numa superfície de trabalho (ver figura h)

- Fixe a ferramenta elétrica à superfície de trabalho com uma união roscada apropriada. Os orifícios (8) servem para esse efeito.

#### Montagem numa mesa de trabalho Bosch (ver figura i)

As mesas de trabalho da Bosch (p. ex. GTA 560) oferecem firmeza à ferramenta elétrica, sobre qualquer solo, devido aos pés de altura ajustável.

#### ► Ler todas as indicações de aviso e instruções

**fornecidas com a mesa de trabalho.** O desrespeito das indicações de aviso e das instruções pode causar choque elétrico, queimaduras e/ou ferimentos graves.

► **Montar corretamente a mesa de trabalho, antes de montar a ferramenta elétrica.** É importante que a montagem seja perfeita, para evitar o risco de desmoroamento.

- Monte a ferramenta elétrica na posição de transporte sobre a mesa de trabalho.

#### Aspiração de pó/de aparas

Pós de materiais como por exemplo, tintas que contém chumbo, alguns tipos de madeira, minerais e metais, podem ser nocivos à saúde. O contacto ou a inalação dos pós pode provocar reações alérgicas e/ou doenças nas vias respiratórias do utilizador ou das pessoas que se encontrem por perto.

Certos pós, como por exemplo pó de carvalho e faia são considerados como sendo cancerígenos, especialmente quando juntos com substâncias para o tratamento de madeiras (cromato, produtos de proteção da madeira). Material que contém asbesto só deve ser processado por pessoal especializado.

- Se possível deverá usar um dispositivo de aspiração de pó apropriado para o material.
- Assegurar uma boa ventilação do local de trabalho.
- É recomendável usar uma máscara de proteção respiratória com filtro da classe P2.

Observe as diretivas para os materiais a serem processados, vigentes no seu país.

► **Evite a acumulação de pó no local de trabalho.** Pós podem entrar levemente em ignição.

A aspiração de pó/de aparas pode ser bloqueada por pó, aparas ou por estilhaços da peça a ser trabalhada.

- Desligue a ferramenta elétrica e retire a bateria.
- Aguardar até que o disco de serra esteja completamente parado.
- Verificar a causa do bloqueio e eliminá-la.

► **Para evitar o perigo de incêndio ao serrar alumínio, esvazie a cobertura inferior do disco de serra e não use aspiração de aparas.**

### Limpar a cobertura inferior do disco de serra (ver figura j)

Para remover estilhaços da peça e aparas grandes, pode abrir a cobertura inferior do disco de serra (46).

- Desligue a ferramenta elétrica e retire a bateria da ferramenta.
- Aguarde até que o disco de serra esteja completamente parado.
- Vire a ferramenta elétrica para o lado.
- Abra a grelha da base (33) (ver figura a).
- Separe ligeiramente as linguetas (47) da parte inferior da cobertura do disco de serra e abra da cobertura inferior do disco de serra (46).
- Remova os estilhaços da peça e as aparas.
- Volte a fechar a cobertura inferior da cobertura do disco de serra (46) até as linguetas (47) engatarem.
- Feche a grelha da base (33).
- Coloque a ferramenta elétrica na posição de trabalho.

### Aspiração externa (ver figura k)

- Encaixe uma mangueira de aspirador adequada corretamente no adaptador de aspiração (31).

O aspirador de pó deve ser apropriado para o material a ser trabalhado.

Utilize um aspirador especial para aspirar pó que seja extremamente nocivo à saúde, cancerígeno ou seco.

### Trocar o disco de serra (ver figuras l1-l4)

- ▶ **A bateria deverá ser retirada antes de todos os trabalhos na ferramenta elétrica (p. ex. manutenção, troca de ferramenta etc.) e antes de transportar ou de armazenar a mesma.** Há perigo de ferimentos se o interruptor de ligar/desligar for acionado involuntariamente.
- ▶ **Para a montagem do disco de serra é necessário usar luvas de proteção.** Existe perigo de ferimentos.
- ▶ **Só utilizar discos de serra com uma máxima velocidade admissível superior à velocidade da marcha em vazio da ferramenta elétrica.**
- ▶ **Só utilizar discos de serra que correspondam aos dados característicos indicados nesta instrução de serviço e na ferramenta elétrica e que sejam controlados conforme EN 847-1 e respetivamente marcados.**
- ▶ **Utilize apenas discos de serra recomendados pelo fabricante desta ferramenta elétrica e adequados para o material com que deseja trabalhar.** Assim evita um sobreaquecimento das pontas dos dentes de serra e o derretimento do plástico a trabalhar.
- ▶ **Não use discos de serra de aço HSS.** Estes discos de serra podem quebrar facilmente.

### Desmontar o disco de serra

- Abra a alavanca de aperto (39) e retire a cobertura de proteção (3) para fora da ranhura na cunha abridora (4).

- Rode os parafusos de travamento (38) com a ponta da chave anular (9) até ao batente no sentido de rotação "Cadeado aberto" e levante o inserto de mesa (25) para fora do compartimento da ferramenta. Para facilitar, pode ser usado o orifício para os dedos (48).
- Rode a manivela (15) para a direita até ao batente, para que o disco de serra (26) se encontre na posição mais alta possível sobre a mesa de serra.
- Rode a porca de aperto (49) com a chave anular (9) e puxe ao mesmo tempo a alavanca de bloqueio do veio (50) até esta engatar.
- Manter a alavanca de travamento do veio puxada e desatarraxar a porca de aperto no sentido contrário dos ponteiros do relógio.
- Retire o flange de aperto (51).
- Retire o disco de serra (26).

### Montar o disco de serra

- Se necessário, deverá limpar todas as partes antes de serem montadas.
- Coloque o novo disco de serra no flange de admissão (52) do veio da ferramenta (53).

**Nota:** Não use discos de serra demasiado pequenos. A folga radial entre disco de serra e cunha abridora só pode ser de no máximo 3–8 mm.

### ▶ Durante a montagem, deverá observar que o sentido de corte dos dentes (sentido da seta sobre o disco de corte) coincide com o sentido da seta sobre a cunha abridora!

- Coloque o flange de aperto (51) e a porca de aperto (49).
- Rode a porca de aperto (49) com a chave anular (9) e puxe ao mesmo tempo a alavanca de bloqueio do veio (50) até esta engatar.
- Apertar a porca de aperto no sentido dos ponteiros do relógio.
- Coloque o inserto de mesa (25) sobre a cunha abridora (4) no compartimento da ferramenta. Rode os parafusos de travamento (38) com a ponta da chave anular (9) até ao batente no sentido de rotação "Cadeado fechado".
- Volte a montar a cobertura de proteção (3).

## Funcionamento

- ▶ **A bateria deverá ser retirada antes de todos os trabalhos na ferramenta elétrica (p. ex. manutenção, troca de ferramenta etc.) e antes de transportar ou de armazenar a mesma.** Há perigo de ferimentos se o interruptor de ligar/desligar for acionado involuntariamente.

## Posição de transporte e de trabalho do disco de serra

### Posição de transporte

- Remova a cobertura de proteção (3), retire o inserto de mesa (25) e posicione a cunha abridora (4) na posição mais baixa. Volte a colocar o inserto de mesa (25).
- Rode a manivela (15) para a esquerda, até que os dentes do disco de serra (26) se encontrem por baixo da mesa de serra (23).
- Empurre o conjunto de extensão da mesa de serra (6) totalmente para dentro.  
Pressione o punho de aperto (13) para baixo. Desta forma, o conjunto de extensão da mesa de serra está fixo.

### Posição de trabalho

- Posicione a cunha abridora (4) na posição mais alta precisamente ao centro do disco de serra, introduza o inserto de mesa (25) e monte a cobertura de proteção (3).
- Rode a manivela (15) para a direita, até que os dentes superiores do disco de serra (26) se encontrem a aprox. 3–6 mm por cima da peça.

## Aumentar a mesa de serra

Apoiar ou escorar as extremidades de peças compridas e pesadas.

### Conjunto de extensão da mesa de serra (ver figura A)

O conjunto de extensão da mesa de serra (6) amplia a mesa de serra (23) para a direita.

- Puxe o punho de aperto (13) para o conjunto de extensão da mesa de serra totalmente para cima.
- Puxe o conjunto de extensão da mesa de serra (6) para fora até ao comprimento desejado.
- Pressione o punho de aperto (13) para baixo. Desta forma, o conjunto de extensão da mesa de serra está fixo.

## Ajustar ângulos de meia-esquadria verticais e horizontais

Após uso intensivo, deverá controlar, e se necessário corrigir, os ajustes básicos da ferramenta elétrica, para assegurar cortes precisos.

### Ajustar ângulos de meia-esquadria verticais (disco de serra) (ver figura B)

O ângulo de meia-esquadria vertical pode ser ajustado numa faixa de 0° a 45°.

- Solte a alavanca com retenção (20) para a esquerda.

**Nota:** Ao soltar a alavanca com retenção, o disco de serra oscila, devido à gravidade, para uma posição que corresponde aproximadamente a 30°.

- Puxe ou pressione a roda manual (14) ao longo do fundo, até o indicador de ângulo (21) mostre o ângulo de meia-esquadria vertical desejado.
- Segure a roda manual nesta posição e volte a apertar a alavanca de bloqueio (20).

### Para ajustar de forma rápida e precisa os ângulos

padrões verticais 0° e 45° existem batentes ajustados de fábrica ((22), (18)).

### Ajustar ângulos de meia-esquadria horizontais (guia angular) (ver figura C)

O ângulo de meia-esquadria horizontal pode ser ajustado numa faixa de 30° (à esquerda) até 30° (à direita).

- Solte o manípulo de fixação (54), caso este esteja apertado.
- Rode a guia angular, até o indicador de ângulo (55) exibir o ângulo de meia-esquadria desejado.
- Aperte novamente o manípulo de fixação (54).

## Ajustar a guia paralela

A guia paralela (5) pode ser montada à esquerda (escala preta) ou à direita (escala prateada) do disco de serra. A marcação na indicação de escala (56) mostra a distância ajustada da guia paralela até ao disco de serra na escala (1). Posicione a guia paralela no lado desejado do disco de serra (ver "Montar a guia paralela (ver figura e)", Página 54).

### Ajustar a guia paralela com a mesa de serra não aberta

- Solte o punho de aperto (41) da guia paralela (5).  
Desloque a guia paralela, até a marcação na indicação da escala (56) mostrar a distância desejada em relação ao disco de serra.  
Com a mesa de serra não aberta, é válida a inscrição inferior da escala prateada (1).
- Para fixar, pressione o punho de aperto (41) outra vez para baixo.

### Ajustar a guia paralela com a mesa de serra aberta (ver figura D)

- Posicionar a guia paralela no lado direito do disco de serra.  
Desloque a guia paralela, até a marcação na indicação da escala (56) na escala inferior mostrar 29 cm.  
Para fixar, pressione o punho de aperto (41) outra vez para baixo.
- Puxe o punho de aperto (13) para o conjunto de extensão da mesa de serra totalmente para cima.
- Puxe o conjunto de extensão da mesa de serra (6) totalmente para fora, até o indicador de distância (57) exibir a distância desejada em relação ao disco de serra na escala superior.
- Pressione o punho de aperto (13) para baixo.  
Desta forma, o conjunto de extensão da mesa de serra está fixo.

## Ajustar a guia paralela adicional (ver figura E)

**Para cortar peças estreitas e em ângulo de meia-esquadria vertical** tem de montar a guia paralela adicional (43) na guia paralela (5).

A guia paralela adicional, poder ser montada opcionalmente à esquerda ou a direita na guia paralela (5).



Peças podem ser emperradas entre a guia paralela e o disco de serra, podem ser puxadas pelo disco de serra a subir e então atiradas para longe.

Portanto deverá ajustar a guia paralela adicional, de modo que a extremidade de guia termine na área entre o dente dianteiro do disco de serra e o canto dianteiro da cunha abridora.

- Para tal, solte todas as porcas de orelhas do conjunto de fixação (44) e desloque a guia paralela adicional, até só servirem para fixação os dois parafusos dianteiros.
- Reapertar as porcas de orelhas.

### Ajustar a cunha abridora

A cunha abridora (4) evita que o disco de serra (26) fique entalado da ranhura de corte. Caso contrário há risco de um contragolpe, se o disco de serra se enganchar na peça a ser trabalhada.

Por isso, certifique-se de que a cunha abridora está sempre corretamente montada:

- A folga radial entre disco de serra e cunha abridora só pode ser de no máximo 3–8 mm.
- A espessura da cunha abridora deve ser menor do que a largura de corte e maior do que a espessura da base do disco.
- A cunha abridora deve sempre estar em uma linha com o disco de serra.
- Para cortes normais é necessário que a cunha abridora esteja sempre na posição mais alta possível.

### Ajustar a altura da cunha abridora (ver figura F)

Para serrar ranhuras é necessário ajustar a altura da cunha abridora.

#### ► Utilize a ferramenta elétrica para ranhar ou ensamblar apenas com o respetivo dispositivo de proteção adequado (p. ex. cobertura de proteção em túnel, pente de pressão).

- Abra a alavanca de aperto (39) e retire a cobertura de proteção (3) para fora da ranhura na cunha abridora (4). Para proteger a tampa de proteção contra danos, deposite-a no suporte (11) previsto para o efeito na carcaça (ver também a figura 02).
- Rode a manivela (15) para a direita até ao batente, para que o disco de serra (26) se encontre na posição mais alta possível sobre a mesa de serra.
- Solte a alavanca de fixação (36) rodando-a para a direita, até ficar virada para a cima.
- Puxe a cunha abridora dos pinos (37) (puxe a alavanca de aperto (36) um pouco para fora) e empurre a cunha abridora (4) para baixo, até ao batente.
- Deixe os dois pinos (37) engatarem nos furos superiores na cunha abridora e volte a apertar a alavanca de aperto (36).

As marcações (35) na fixação e na alavanca de fixação (36) têm de estar alinhadas, como indicado.

## Colocação em funcionamento

### Ligar (ver figura G1)

- Para a colocação em funcionamento pressione nos dois lados o interruptor de ligar/desligar (16) e puxe-o para cima.

### Desligar (ver figura G2)

- Pressione o interruptor de ligar/desligar (16) totalmente para baixo.

### Proteção contra utilização não autorizada (ver figura G3)

Para proteção contra uma operação não autorizada pode bloquear o interruptor de ligar/desligar (16) com a ajuda de um cadeado.

- Insira um cadeado com um arco grande através do furo no interruptor de ligar/desligar (16) e feche-o.

## Instruções de trabalho

### Indicações gerais para serrar

- **Antes de todos os cortes, deverá assegurar-se de que a lâmina de serra não possa de modo algum entrar em contacto com os limitadores nem com quaisquer outras partes do aparelho.**
- **Utilize a ferramenta elétrica para ranhar ou ensamblar apenas com o respetivo dispositivo de proteção adequado (p. ex. cobertura de proteção em túnel, pente de pressão).**
- **Não use a ferramenta elétrica para abrir ranhuras (ranhura terminada na peça).**

Proteger a lâmina de serra contra golpes e pancadas. A lâmina de serra não deve ser exposta a nenhuma pressão lateral.

A cunha abridora deve estar alinhada com a lâmina de serra, para evitar que a peça a ser trabalhada possa emperrar.

Não trabalhe peças empenadas. A peça tem de ter sempre um lado reto para encostar na guia paralela.

Guarde sempre o pau para empurrar na ferramenta elétrica.

### Posição do operador (ver figura H)

- **Nunca se coloque diretamente em linha com o disco de serra. Posicione sempre o seu corpo do mesmo lado do disco de serra no qual se encontra a guia de corte.** O efeito de coice pode projetar a peça de trabalho a alta velocidade na direção de qualquer pessoa que se encontre à frente e em linha com o disco de serra.
- Mantenha as mãos, os dedos e os braços afastados do disco de serra em rotação.

Observe as seguintes indicações:

- Manter a peça a ser trabalhada seguramente com ambas as mãos e premir firmemente contra a mesa de serra.
- Para peças estreitas e para cortar em ângulo de meia-esquadria vertical, utilize sempre o pau para empurrar (12) fornecido e a guia paralela adicional (43).

**Máximas dimensões da peça a ser trabalhada**

Ângulo de meia-esquadria vertical	Altura máx. da peça [mm]
0°	70
45°	50

**Serrar****Serrar cortes a direito**

- Ajuste a guia paralela (5) à largura de corte desejada.
- Coloque a peça sobre a mesa de serrar em frente à cobertura de proteção (3).
- Suba e desça o disco de serra através da manivela (15) para cima ou para baixo até que os dentes superiores do disco de serra (26) se encontrem a aprox. 3-6 mm por cima da peça.
- Ligue a ferramenta elétrica.
- Serrar a peça com avanço uniforme. Se exercer demasiada pressão, as pontas do disco de serra podem sobreaquecer e a peça pode ser danificada.
- Desligue a ferramenta elétrica e aguarde até o disco de serra estar completamente parado.

**Serrar ângulos verticais de meia-esquadria**

- Ajustar o ângulo de meia-esquadria vertical desejado do disco de serra. Com o disco de serra inclinado para a esquerda, a guia paralela (5) tem de estar à direita do disco de serra.
- Siga os passos de trabalho de acordo com: (ver "Serrar cortes a direito", Página 58)

**Serrar ângulos de meia-esquadria horizontais (ver figura I)**

- Ajustar o ângulo de meia-esquadria horizontal desejado na guia angular (2).
- Coloque a peça na guia angular (2).
- Levante ou baixe o disco de serra através da alavanca (15) de forma a que os dentes de corte fiquem cerca de 5 mm por cima da superfície da peça.
- Ligar a ferramenta elétrica.
- Com uma mão, pressione a peça contra a guia angular e, com a outra mão, empurre a guia angular no manípulo de fixação (54) lentamente na ranhura de guia (30) para a frente.
- Desligue a ferramenta elétrica e aguarde até o disco de serra estar completamente parado.

**Verificar e realizar os ajustes básicos**

Após uso intensivo, deverá controlar, e se necessário corrigir, os ajustes básicos da ferramenta elétrica, para assegurar cortes precisos.

Para tal são necessárias experiência e ferramentas especiais.

Uma oficina de serviço pós-venda Bosch executa este trabalho de forma rápida e fiável.

**Ajustar batentes para ângulo de meia-esquadria vertical 0°/45°**

- Coloque a ferramenta elétrica na posição de trabalho.
- Ajuste um ângulo de meia-esquadria vertical do disco de serra de 0°.
- Retire a cobertura de proteção (3).

**Verificar (ver figura J1)**

- Remova o inserto de mesa (25) (ver "Montar o inserto de mesa (ver figura c)", Página 53).
- Ajuste o calibre angular para 90° e coloque-o sobre a mesa de serra (23).

O lado do calibre angular tem de ficar alinhado em todo o comprimento com o disco de serra (26).

**Ajustar (ver figura J2)**

- Solte o parafuso (58). Desta forma pode ser deslocado o batente 0° (22).
- Solte a alavanca de bloqueio (20).
- Desloque a roda manual (14) contra o batente 0°, até o lado do calibre angular ficar alinhado no comprimento completo com o disco de serra.
- Segure a roda manual nesta posição e volte a apertar a alavanca de bloqueio (20).
- Reaperte o parafuso (58).
- Volte a montar o inserto de mesa (25) (ver "Montar o inserto de mesa (ver figura c)", Página 53).

Se, após o ajuste, o indicador de ângulo (21) não estiver em linha com a marca de 0° da escala (19), soltar o parafuso (59) com uma chave de fenda em cruz convencional e alinhar o indicador de ângulo ao longo da marca de 0°.

Repita os passos de trabalho acima mencionados respetivamente para o ângulo de meia-esquadria vertical de 45° (soltar o parafuso (60); deslocar o batente 45° (18)). O indicador de ângulo (21) não pode ser deslocado de novo ao fazê-lo.

**Paralelismo do disco de serra em relação às ranhuras de guia da guia angular (ver figura K)**

- Coloque a ferramenta elétrica na posição de trabalho.
- Retire a cobertura de proteção (3).

**Verificar**

- Marque com um lápis o primeiro dente de serra esquerdo, que está visível atrás por cima do inserto de mesa.
- Ajuste o calibre angular para 90° e coloque-o na aresta da ranhura de guia (30).
- Desloque o lado do calibre angular, até o mesmo tocar no dente de serra marcado, e leia a distância entre o disco de serra e a ranhura de guia.
- Rode o disco de serra, até o dente marcado ficar à frente por cima do inserto de mesa.
- Deslocar o calibre angular ao longo da ranhura de guia até o dente marcado da serra.
- Medir novamente a distância entre o disco de serra e a ranhura de guia.

As duas distâncias medidas devem ser idênticas.

**Ajustar**

- Solte os parafusos de sextavado interior (61) à frente por baixo da mesa de serra e os parafusos de sextavado interior (62) atrás por baixo da mesa de serra com a chave sextavada interior (10) fornecida.
- Mova lentamente o disco de serra, até o mesmo ficar paralelo à ranhura de guia (30).
- Reaperte todos os parafusos (61) e (62).

**Ajustar indicador de distância da mesa de serra (ver figura L)**

- Posicionar a guia paralela no lado direito do disco de serra.  
Desloque a guia paralela, até a marcação na indicação da escala (56) na escala inferior mostrar 29 cm.  
Para fixar, pressione o punho de aperto (41) outra vez para baixo.
- Puxe o punho de aperto (13) totalmente para cima e puxe o conjunto de extensão da mesa de serra (6) para fora até ao batente.

**Verificar**

O indicador de distância (57) tem de mostrar na escala superior (1) o valor idêntico ao da marcação na lupa (56) da escala inferior (1).

**Ajustar**

- Puxe o conjunto de extensão da mesa de serra (6) para fora até ao batente.
- Solte o parafuso (63) com uma chave de fenda em cruz e alinhe o indicador de distância (57) ao longo da marca de 29 cm da escala superior (1).

**Ajustar o paralelismo da guia paralela (ver figura M)**

- Coloque a ferramenta elétrica na posição de trabalho.
- Retire a cobertura de proteção (3).
- Solte o punho de aperto (41) da guia paralela e desloque-o até o mesmo tocar no disco de serra.

**Verificar**

A guia paralela (5) tem de tocar no disco de serra em todo o seu comprimento.

**Ajustar**

- Solte os parafusos de sextavado interior (64) com a chave sextavada interior (10) fornecida.
- Mova lentamente a guia paralela (5), até a mesma tocar no disco de serra em todo o seu comprimento.
- Mantenha a guia paralela nesta posição e pressione o punho de aperto (41) novamente para baixo.
- Volte a apertar os parafusos de sextavado interior (64).

**Ajustar a força de aperto da guia paralela**

A força de aperto da guia paralela (5) pode ceder após utilização frequente.

- Aperte o parafuso de ajuste (24) até ser possível fixar novamente a guia paralela na mesa de serrar.

**Ajustar a indicação da escala da guia paralela (ver figura M)**

- Coloque a ferramenta elétrica na posição de trabalho.
- Retire a cobertura de proteção (3).

- Desloque a guia paralela (5) da direita até a mesma tocar no disco de serra.

**Verificar**

A marcação da indicação da escala (56) tem de estar alinhada com a marca de 0 mm na escala (1).

**Ajustar**

- Solte o parafuso (65) com uma chave de fenda em cruz e alinhe a marcação ao longo da marca de 0 mm.

**Ajustar o nível do inserto de mesa (ver figura N)****Verificar**

A parte da frente do inserto de mesa (25) tem de ficar à face ou um pouco abaixo da mesa de serra, a parte de trás tem de estar à face ou um pouco acima da mesa de serra.

**Ajustar**

- Ajuste com a ponta da chave anular (9) o nível correto dos parafusos de ajuste (66).

**Arrecadação e transporte****Guardar os elementos do aparelho (ver figuras O1–O2)**

A ferramenta elétrica permite fixar de forma segura determinados elementos do aparelho para os guardar.

- Solte a guia paralela adicional (43) da guia paralela (5).
- Coloque todas as peças soltas do aparelho nos respetivos depósitos de armazenamento na carcaça (ver a tabela seguinte).

**Elemento do aparelho Depósito de armazenamento**

Guia paralela (5)	virar ao contrário, engatar por baixo nas calhas de guia e fixar o punho de aperto (41)
Pau para empurrar (12)	colocar no depósito (67)
Cobertura de proteção (3)	pendurar do entalhe do suporte (11) e apertar com a alavanca de aperto (39)
Chave sextavada interior (10)	colocar no depósito (68)
Chave anular (9)	colocar no depósito (69)
Guia angular (2)	colocar no depósito (7)
Guia paralela adicional (43)	inserir na ranhura atrás da guia paralela (5) e apertar com a ajuda do parafuso de orelhas

**Transportar a ferramenta elétrica**

- ▶ **A bateria deverá ser retirada antes de todos os trabalhos na ferramenta elétrica (p. ex. manutenção, troca de ferramenta etc.) e antes de transportar ou de armazenar a mesma.** Há perigo de ferimentos se o interruptor de ligar/desligar for acionado involuntariamente.

Antes de um transporte da ferramenta elétrica é necessário executar os seguintes passos:

- Coloque a ferramenta elétrica na posição de transporte (ver "Posição de transporte", Página 56).

- Remover todos os acessórios que não estão montados firmemente na ferramenta elétrica.  
Se possível, os discos de serra não utilizados devem ser colocados dentro de um recipiente fechado durante o transporte.
  - Empurre o conjunto de extensão da mesa de serra (6) totalmente para dentro e pressione o punho de aperto (13) para baixo para o fixar.
  - Use as pegas de transporte para levantar ou transportar (29).
- **Ao transportar a ferramenta elétrica, utilizar apenas os dispositivos de transporte e nunca os dispositivos de proteção.**

## Manutenção e assistência técnica

### Manutenção e limpeza

- **A bateria deverá ser retirada antes de todos os trabalhos na ferramenta elétrica (p. ex. manutenção, troca de ferramenta etc.) e antes de transportar ou de armazenar a mesma.** Há perigo de ferimentos se o interruptor de ligar/desligar for acionado involuntariamente.
- **Manter a ferramenta elétrica e as aberturas de ventilação sempre limpas, para trabalhar bem e de forma segura.**

#### Limpeza

Após cada etapa de trabalho deverá remover o pó e as aparas, soprando com ar comprimido ou limpando com um pincel.

#### Medidas para a redução de ruídos

Medidas tomadas pelo fabricante:

- Arranque suave
- Fornecimento com um disco de serra especialmente desenvolvido para a redução de ruídos

Medidas tomadas pelo utilizador:

- Montagem com poucas vibrações, sobre uma superfície de trabalho firme
- Utilização de discos de serra com funções redutoras de ruídos
- Limpeza regular do disco de serra e da ferramenta elétrica

### Serviço pós-venda e aconselhamento

O serviço pós-venda responde às suas perguntas a respeito de serviços de reparação e de manutenção do seu produto, assim como das peças sobressalentes. Desenhos explodidos e informações acerca das peças sobressalentes também em: [www.bosch-pt.com](http://www.bosch-pt.com)

A nossa equipa de consultores Bosch esclarece com prazer todas as suas dúvidas a respeito dos nossos produtos e acessórios.

Indique para todas as questões e encomendas de peças sobressalentes a referência de 10 dígitos de acordo com a placa de características do produto.

### Brasil

Robert Bosch Ltda. – Divisão de Ferramentas Elétricas  
Rodovia Anhanguera, Km 98 - Parque Via Norte  
13065-900, CP 1195  
Campinas, São Paulo  
Tel.: 0800 7045 446  
[www.bosch.com.br/contato](http://www.bosch.com.br/contato)

#### Encontra outros endereços da assistência técnica em:

[www.bosch-pt.com/serviceaddresses](http://www.bosch-pt.com/serviceaddresses)

### Transporte

As baterias de íões de lítio recomendadas estão sujeitas ao direito de materiais perigosos. As baterias podem ser transportadas na rua pelo utilizador, sem mais obrigações. Na expedição por terceiros (por ex: transporte aéreo ou expedição), devem ser observadas as especiais exigências quanto à embalagem e à designação. Neste caso é necessário consultar um especialista de materiais perigosos ao preparar a peça a ser trabalhada.

Só enviar baterias se a carcaça não estiver danificada. Colar contactos abertos e embalar a bateria de modo que não possa se movimentar dentro da embalagem. Por favor observe também eventuais diretivas nacionais suplementares.

### Eliminação



As ferramentas elétricas, as baterias, os acessórios e as embalagens devem ser enviados a uma reciclagem ecológica de matéria prima.



Não deitar ferramentas elétricas e baterias/pilhas no lixo doméstico!

### Baterias/pilhas:

#### Lítio:

Observar as indicações no capítulo Transporte (ver "Transporte", Página 60).

## Español

### Indicaciones de seguridad

#### Advertencias de peligro generales para herramientas eléctricas

**⚠ ADVERTENCIA** Lea íntegramente las advertencias de peligro, las instrucciones, las ilustraciones y las especificaciones entregadas con esta herramienta eléctrica. En caso de no atenerse a las instrucciones siguientes, ello puede ocasionar una descarga eléctrica, un incendio y/o una lesión grave.

### Guardar todas las advertencias de peligro e instrucciones para futuras consultas.

El término "herramienta eléctrica" empleado en las siguientes advertencias de peligro se refiere a herramientas eléctricas de conexión a la red (con cable de red) y a herramientas eléctricas accionadas por acumulador (sin cable de red).

#### Seguridad del puesto de trabajo

- ▶ **Mantenga el área de trabajo limpia y bien iluminada.** Las áreas desordenadas u oscuras pueden provocar accidentes.
- ▶ **No utilice herramientas eléctricas en un entorno con peligro de explosión, en el que se encuentren combustibles líquidos, gases o material en polvo.** Las herramientas eléctricas producen chispas que pueden llegar a inflamar los materiales en polvo o vapores.
- ▶ **Mantenga alejados a los niños y otras personas de su puesto de trabajo al emplear la herramienta eléctrica.** Una distracción le puede hacer perder el control sobre la herramienta eléctrica.

#### Seguridad eléctrica

- ▶ **El enchufe de la herramienta eléctrica debe corresponder a la toma de corriente utilizada. No es admisible modificar el enchufe en forma alguna. No emplear adaptadores en herramientas eléctricas dotadas con una toma de tierra.** Los enchufes sin modificar adecuados a las respectivas tomas de corriente reducen el riesgo de una descarga eléctrica.
- ▶ **Evite que su cuerpo toque partes conectadas a tierra como tuberías, radiadores, cocinas y refrigeradores.** El riesgo a quedar expuesto a una sacudida eléctrica es mayor si su cuerpo tiene contacto con tierra.
- ▶ **No exponga la herramienta eléctrica a la lluvia o a condiciones húmedas.** Existe el peligro de recibir una descarga eléctrica si penetran ciertos líquidos en la herramienta eléctrica.
- ▶ **No abuse del cable de red. No utilice el cable de red para transportar o colgar la herramienta eléctrica, ni tire de él para sacar el enchufe de la toma de corriente. Mantenga el cable de red alejado del calor, aceite, esquinas cortantes o piezas móviles.** Los cables de red dañados o enredados pueden provocar una descarga eléctrica.
- ▶ **Al trabajar con la herramienta eléctrica a la intemperie utilice solamente cables de prolongación apropiados para su uso al aire libre.** La utilización de un cable de prolongación adecuado para su uso en exteriores reduce el riesgo de una descarga eléctrica.
- ▶ **Si fuese imprescindible utilizar la herramienta eléctrica en un entorno húmedo, es necesario conectarla a través de un dispositivo de corriente residual (RCD) de seguridad (fusible diferencial).** La aplicación de un fusible diferencial reduce el riesgo a exponerse a una descarga eléctrica.

#### Seguridad de personas

- ▶ **Esté atento a lo que hace y emplee sentido común cuando utilice una herramienta eléctrica. No utilice la herramienta eléctrica si estuviese cansado, ni tampoco después de haber consumido drogas, alcohol o medicamentos.** El no estar atento durante el uso de la herramienta eléctrica puede provocarle serias lesiones.
  - ▶ **Utilice un equipo de protección personal. Utilice siempre una protección para los ojos.** El riesgo a lesionarse se reduce considerablemente si se utiliza un equipo de protección adecuado como una mascarilla antipolvo, zapatos de seguridad con suela antideslizante, casco, o protectores auditivos.
  - ▶ **Evite una puesta en marcha involuntaria. Asegurarse de que la herramienta eléctrica esté desconectada antes de conectarla a la toma de corriente y/o al montar el acumulador, al recogerla y al transportarla.** Si transporta la herramienta eléctrica sujetándola por el interruptor de conexión/desconexión, o si alimenta la herramienta eléctrica estando ésta conectada, ello puede dar lugar a un accidente.
  - ▶ **Retire las herramientas de ajuste o llaves fijas antes de conectar la herramienta eléctrica.** Una herramienta de ajuste o llave fija colocada en una pieza rotante puede producir lesiones al poner a funcionar la herramienta eléctrica.
  - ▶ **Evite posturas arriesgadas. Trabaje sobre una base firme y mantenga el equilibrio en todo momento.** Ello le permitirá controlar mejor la herramienta eléctrica en caso de presentarse una situación inesperada.
  - ▶ **Lleve puesta una vestimenta de trabajo adecuada. No utilice vestimenta amplia ni joyas. Mantenga su pelo y vestimenta alejados de las piezas móviles.** La vestimenta suelta, el pelo largo y las joyas se pueden enganchar con las piezas en movimiento.
  - ▶ **Si se proporcionan dispositivos para la conexión de las instalaciones de extracción y recogida de polvo, asegúrese que éstos estén conectados y que sean utilizados correctamente.** El empleo de estos equipos reduce los riesgos derivados del polvo.
  - ▶ **No permita que la familiaridad ganada por el uso frecuente de herramientas eléctricas lo deje caer en la complacencia e ignore las normas de seguridad de herramientas.** Una acción negligente puede causar lesiones graves en una fracción de segundo.
- #### Uso y trato cuidadoso de herramientas eléctricas
- ▶ **No sobrecargue la herramienta eléctrica. Utilice la herramienta eléctrica adecuada para su aplicación.** Con la herramienta eléctrica adecuada podrá trabajar mejor y más seguro dentro del margen de potencia indicado.
  - ▶ **No utilice la herramienta eléctrica si el interruptor está defectuoso.** Las herramientas eléctricas que no se puedan conectar o desconectar son peligrosas y deben hacerse reparar.
  - ▶ **Saque el enchufe de la red y/o retire el acumulador desmontable de la herramienta eléctrica, antes de re-**

alizar un ajuste, cambiar de accesorio o al guardar la herramienta eléctrica. Esta medida preventiva reduce el riesgo a conectar accidentalmente la herramienta eléctrica.

- ▶ **Guarde las herramientas eléctricas fuera del alcance de los niños. No permita la utilización de la herramienta eléctrica a aquellas personas que no estén familiarizadas con su uso o que no hayan leído estas instrucciones.** Las herramientas eléctricas utilizadas por personas inexpertas son peligrosas.
- ▶ **Cuide las herramientas eléctricas y los accesorios. Controle la alineación de las piezas móviles, rotura de piezas y cualquier otra condición que pudiera afectar el funcionamiento de la herramienta eléctrica. En caso de daño, la herramienta eléctrica debe repararse antes de su uso.** Muchos de los accidentes se deben a herramientas eléctricas con un mantenimiento deficiente.
- ▶ **Mantenga los útiles limpios y afilados.** Los útiles mantenidos correctamente se dejan guiar y controlar mejor.
- ▶ **Utilice la herramienta eléctrica, los accesorios, los útiles, etc. de acuerdo a estas instrucciones, considerando en ello las condiciones de trabajo y la tarea a realizar.** El uso de herramientas eléctricas para trabajos diferentes de aquellos para los que han sido concebidas puede resultar peligroso.
- ▶ **Mantenga las empuñaduras y las superficies de las empuñaduras secas, limpias y libres de aceite y grasa.** Las empuñaduras y las superficies de las empuñaduras resbaladizas no permiten un manejo y control seguro de la herramienta eléctrica en situaciones imprevistas.

#### Trato y uso cuidadoso de herramientas accionadas por acumulador

- ▶ **Solamente recargar los acumuladores con los cargadores especificados por el fabricante.** Existe un riesgo de incendio al intentar cargar acumuladores de un tipo diferente al previsto para el cargador.
- ▶ **Utilice las herramientas eléctricas sólo con los acumuladores específicamente designados.** El uso de otro tipo de acumuladores puede provocar daños e incluso un incendio.
- ▶ **Si no utiliza el acumulador, guárdelo separado de objetos metálicos, como clips de papel, monedas, llaves, clavos, tornillos u otros objetos metálicos pequeños que pudieran puentear sus contactos.** El cortocircuito de los contactos del acumulador puede causar quemaduras o un incendio.
- ▶ **La utilización inadecuada del acumulador puede provocar fugas de líquido. Evite el contacto con él. En caso de un contacto accidental, enjuagar el área afectada con abundante agua. En caso de un contacto con los ojos, recurra además inmediatamente a ayuda médica.** El líquido del acumulador puede irritar la piel o producir quemaduras.
- ▶ **No emplee acumuladores o útiles dañados o modificados.** Los acumuladores dañados o modificados pueden

comportarse en forma imprevisible y producir un fuego, explosión o peligro de lesión.

- ▶ **No exponga un paquete de baterías o una herramienta eléctrica al fuego o a una temperatura demasiado alta.** La exposición al fuego o a temperaturas sobre 130 °C puede causar una explosión.
- ▶ **Siga todas las instrucciones para la carga y no cargue nunca el acumulador o la herramienta eléctrica a una temperatura fuera del margen correspondiente especificado en las instrucciones.** Una carga inadecuada o a temperaturas fuera del margen especificado puede dañar el acumulador y aumentar el riesgo de incendio.

#### Servicio

- ▶ **Únicamente deje reparar su herramienta eléctrica por un experto cualificado, empleando exclusivamente piezas de repuesto originales.** Solamente así se mantiene la seguridad de la herramienta eléctrica.
- ▶ **No repare los acumuladores dañados.** El mantenimiento de los acumuladores sólo debe ser realizado por el fabricante o un servicio técnico autorizado.

#### Instrucciones de seguridad para sierras circulares de mesa

##### Indicaciones de advertencia respecto a las cubiertas protectoras

- ▶ **Deje montadas las cubiertas protectoras. Las cubiertas protectoras deben estar aptas para el funcionamiento y correctamente montadas.** Las cubiertas protectoras sueltas, dañadas, o con funcionamiento incorrecto deben ser reparadas o reemplazadas.
- ▶ **Utilice siempre la cubierta protectora de la hoja de sierra y la cuña retráctil para cada operación de corte de separación.** Para las operaciones de corte de separación, en las cuales la hoja de sierra corta completamente el espesor de la pieza de trabajo, la cubierta protectora u otros dispositivos de seguridad ayudan a reducir el peligro de lesiones.
- ▶ **Después de completar un corte que no sea pasante, como un rebaje, vuelva a colocar la cuña retráctil en la posición extendida hacia arriba. Con la cuña retráctil en la posición extendida hacia arriba, vuelva a colocar la cubierta protectora de la hoja de sierra.** La cubierta protectora y la cuña retráctil ayudan a reducir el peligro de lesiones.
- ▶ **Asegúrese, que la hoja de sierra no tenga contacto con la cubierta protectora, la cuña retráctil o la pieza de trabajo antes de conectar la herramienta eléctrica.** El contacto inadvertido de estos componentes con la hoja de sierra pueden causar condiciones peligrosas.
- ▶ **Ajuste la cuña retráctil como se describe en este manual de instrucciones.** Un espaciado, posicionamiento o alineación incorrectos puede invalidar la capacidad de la cuña retráctil para reducir la probabilidad de los retrocesos.
- ▶ **Para que la cuña retráctil pueda funcionar, ésta debe actuar sobre la pieza de trabajo.** La cuña retráctil es ine-

ficaz cuando se cortan piezas de trabajo que son demasiado cortas, para que llegue a actuar la cuña retráctil. Bajo estas condiciones, la cuña retráctil no puede impedir un retroceso.

- ▶ **Utilice la hoja de sierra adecuada para la cuña retráctil.** Para que la cuña retráctil pueda funcionar correctamente, el diámetro de la hoja de sierra debe ser adecuado para la correspondiente cuña retráctil, el cuerpo de la hoja de sierra debe ser más delgado que el espesor de la cuña retráctil y el ancho de corte de la hoja de sierra debe ser más ancho que el espesor de la cuña retráctil.

#### Indicaciones de advertencia respecto a procedimientos de corte

- ▶  **PELIGRO: Nunca ponga sus dedos o manos en las cercanías o en la zona de la hoja de sierra.** Un momento de inatención o un resbalón podría dirigir su mano hacia la hoja de sierra y conducir a lesiones personales graves.
- ▶ **Introduzca la pieza de trabajo en la hoja de sierra o el cortador sólo en contra del sentido de giro.** La alimentación de la pieza de trabajo en la misma dirección de la rotación de la hoja de sierra sobre la mesa puede conducir a que la pieza de trabajo y su mano sean arrastradas hacia la hoja de sierra.
- ▶ **No utilice nunca la guía de ingletes para alimentar la pieza de trabajo en caso de cortes longitudinales y no use nunca la guía de corte para ajuste longitudinal en caso de cortes transversales con la guía de ingletes.** Al guiar la pieza de trabajo simultáneamente con la guía de corte y la guía de ingletes aumenta la probabilidad de un atasco de la hoja de sierra y de un retroceso.
- ▶ **En el caso de cortes longitudinales, mantenga siempre la pieza de trabajo en pleno contacto con la guía y aplique siempre la fuerza de alimentación de la pieza de trabajo entre la guía y la hoja de sierra. Utilice un empujador si la distancia entre la guía y la hoja de sierra es inferior a 150 mm, y utilice un bloque de empuje si esta distancia es inferior a 50 mm.** Tales dispositivos de "ayuda de trabajo" se encargan de mantener su mano a una distancia segura de la hoja de sierra.
- ▶ **Utilice solamente el empujador suministrado por el fabricante o uno fabricado en conformidad con las instrucciones.** Este empujador proporciona una distancia suficiente entre la mano y la hoja de sierra.
- ▶ **No utilice nunca un empujador dañado o cortado.** Un empujador dañado o cortado puede romperse y causar que su mano caiga en la hoja de sierra.
- ▶ **No lleve a cabo ningún trabajo "a mano". Utilice siempre la guía de corte o la guía de ingletes para posicionar y guiar la pieza de trabajo.** "A mano" significa apoyar o guiar la pieza de trabajo con el uso de sus manos, en lugar de una guía de corte o de una guía de ingletes. El aserrado a mano conduce a desalineación, atascamiento y retroceso.
- ▶ **No alcance alrededor o por encima de una hoja de sierra en rotación.** La recogida de una pieza de trabajo pue-

de conducir a un contacto accidental con la hoja de sierra en movimiento.

- ▶ **Apoye las piezas de trabajo largas y/o anchas detrás y/o a los lados de la mesa de sierra para mantenerlas a nivel.** Una pieza de trabajo larga y/o ancha tiene la tendencia a pivotar en los bordes de la mesa, causando la pérdida del control, atascamiento de la hoja de sierra y retroceso.
- ▶ **Introduzca la pieza de trabajo a un ritmo constante. No doble, tuerza o desplace la pieza de trabajo de lado a lado. En caso de atascamiento, desconecte inmediatamente la herramienta, desenchufe la herramienta y luego despeje el atasco.** El atascamiento de la hoja de sierra por la pieza de trabajo puede causar el retroceso o la detención del motor.
- ▶ **No retire piezas del material aserrado durante el funcionamiento de la sierra.** El material puede quedar atrapado entre la guía o en el interior de la cubierta protectora y la hoja de sierra, tirando sus dedos hacia la hoja de sierra. Desconecte la sierra y espere hasta que se detenga la hoja de sierra antes de remover material.
- ▶ **Utilice una guía auxiliar que tenga contacto con la superficie de la mesa al realizar cortes longitudinales en piezas de trabajo con un grosor inferior a 2 mm.** Una pieza de trabajo delgada se puede atascar bajo la guía de corte y generar un retroceso.

#### Causas del contragolpe y advertencias al respecto

El contragolpe es una reacción repentina de la pieza de trabajo por causa de una hoja de sierra apretada, atascada o un corte desalineado en la pieza de trabajo con respecto a la hoja de sierra o si una parte de la pieza de trabajo se atasca entre la hoja de sierra y la guía de corte u otro objeto fijo.

En la mayoría de los casos de un retroceso, la pieza de trabajo es levantada de la mesa por la parte trasera de la hoja de sierra y es propulsada hacia el operador.

El retroceso es ocasionado por la mala aplicación y/o el incorrecto manejo o condiciones de la sierra. Es posible evitarlo ateniéndose a las medidas preventivas que a continuación se detallan.

- ▶ **Nunca esté ubicado directamente en línea con la hoja de sierra. Siempre posicione su cuerpo en el mismo lado de la hoja de sierra en el cual se encuentra la guía.** En el caso de un contragolpe, la pieza de trabajo puede salir impulsada a gran velocidad sobre personas, que se encuentren delante y en línea con la hoja de sierra.
- ▶ **No alcance por encima o detrás de la hoja de sierra para tirar o apoyar la pieza de trabajo.** Así puede generarse un contacto accidental con la hoja de sierra o un retroceso puede arrastrar sus dedos hacia la hoja de sierra.
- ▶ **No sujete ni presione nunca la pieza de trabajo que se está cortando contra la hoja de sierra giratoria.** Al presionar la pieza de trabajo que se está cortando contra la hoja de sierra se genera una condición de atasco y retroceso.

- ▶ **Ajuste la guía de modo que quede paralela a la hoja de sierra.** Una guía desalineada presiona la pieza de trabajo contra la hoja de sierra y genera un retroceso.
  - ▶ **Utilice una tabla de láminas para guiar la pieza de trabajo contra la mesa y la guía al ejecutar cortes no pasantes como p. ej. cortes de rebajado.** Una tabla de láminas ayuda a controlar la pieza de trabajo en el caso de un retroceso.
  - ▶ **En caso de utilizar paneles grandes, utilice apoyos para minimizar el riesgo de que la hoja de sierra se atasque y retroceda.** Los paneles grandes tienden a curvarse por su propio peso. El(los) apoyo(s) deben ser colocados en todas las partes del panel que sobresalen de la superficie de la mesa.
  - ▶ **Tenga mucho cuidado al cortar una pieza de trabajo que está retorcida, anudada, deformada o no tiene un borde recto para guiarla con una guía de ingletes o a lo largo de una guía.** Una pieza de trabajo deformada, anudada, o retorcida es inestable y causa desalineamiento del corte con la hoja de sierra, atascamiento y retroceso.
  - ▶ **No corte nunca varias piezas de trabajo apiladas vertical o horizontalmente.** La hoja de sierra podría coger una o varias piezas y causar un retroceso.
  - ▶ **Al reanudar el aserrado con la hoja de sierra en la pieza, centre la hoja de la sierra en el corte de forma que los dientes de la sierra no queden clavados en el material.** Si se atasca la hoja, al volver a arrancar la sierra podría salirse de la pieza de trabajo o causar un retroceso.
  - ▶ **Mantenga las hojas de sierra limpias, afiladas y con suficiente triscado. No utilice nunca hojas de sierra deformadas o hojas de sierra con dientes agrietados o rotos.** Las hojas de sierra afiladas y correctamente colocadas minimizan atascamientos, estancamientos y retrocesos.
- Indicaciones de advertencia respecto al procedimiento de operación de la sierra circular de mesa**
- ▶ **Apague la sierra de mesa y desconecte el paquete de baterías al quitar el inserto de la mesa, cambiar la hoja de sierra o realizar ajustes en la cuña retráctil o en la cubierta protectora de la hoja de sierra, y cuando la máquina se deja sin vigilancia.** Las medidas de precaución evitan accidentes.
  - ▶ **Nunca deje la sierra de mesa funcionando sin vigilancia. Apáguela y no deje la herramienta hasta que se detenga completamente.** Una sierra en funcionamiento desatendida es un peligro incontrolado.
  - ▶ **Instale la sierra de mesa en un área bien iluminada y llana donde pueda mantener un buen equilibrio y balance. Debe instalarse en un área que proporcione suficiente espacio para manejar fácilmente el tamaño de su pieza de trabajo.** Las áreas estrechas, oscuras y los pisos desiguales y resbalosos invitan a accidentes.
  - ▶ **Frecuentemente limpie y quite el aserrín de debajo de la mesa de sierra y/o el dispositivo colector de polvo.** El aserrín acumulado es combustible y puede autoinflamarse.
  - ▶ **La sierra de mesa debe estar asegurada.** Una sierra de mesa que no está bien asegurada puede moverse o volcarse.
  - ▶ **Retire las herramientas, los restos de madera, etc. de la mesa antes de encender la sierra de mesa.** La distracción o un atasco potencial puede ser peligroso.
  - ▶ **Utilice siempre hojas de sierra con agujeros de eje del tamaño y la forma correctos (de diamante/redondas).** Las hojas de sierra que no coincidan con el mecanismo de montaje de la sierra se descentrarán y provocarán una pérdida del control.
  - ▶ **Nunca utilice medios de montaje de la hoja de la sierra dañados o incorrectos, tales como bridas, arandelas, pernos o tuercas de la hoja de sierra.** Estos medios de montaje fueron diseñados especialmente para su sierra, para un funcionamiento seguro y un rendimiento óptimo.
  - ▶ **Nunca se pare en la sierra de mesa y no la use como un taburete escalonado.** Pueden producirse lesiones graves si la herramienta es inclinada o si la herramienta de corte es contactada accidentalmente.
  - ▶ **Asegúrese de que la hoja de sierra está instalada en la dirección de giro correcta. No utilice muelas abrasivas, escobillas de alambre o discos abrasivos en una sierra de mesa.** La instalación incorrecta de la hoja de sierra o el uso de accesorios no recomendados pueden causar lesiones graves.
- Indicaciones de seguridad adicionales**
- ▶ **Al montar la hoja de sierra utilice unos guantes de protección.** Existe peligro de lesión.
  - ▶ **No use hojas de sierra de acero HSS.** Las hojas de sierra de este tipo pueden romperse fácilmente.
  - ▶ **Únicamente use hojas de sierra con los datos característicos indicados en estas instrucciones de servicio y en la herramienta eléctrica que hayan sido ensayadas y estén marcadas conforme a EN 847-1.**
  - ▶ **No utilice nunca la herramienta eléctrica sin el elemento de mesa. Cambie un elemento de mesa defectuoso.** Si el estado del elemento de mesa no está en orden puede lesionarse con la hoja de sierra.
  - ▶ **Mantenga limpio su puesto de trabajo.** Las mezclas de materiales son particularmente peligrosas. El polvo de metal ligero puede arder o explotar.
  - ▶ **Seleccione una hoja de sierra apropiada para el tipo de material a cortar.**
  - ▶ **Solamente utilice hojas de sierra recomendadas por el fabricante de esta herramienta eléctrica, adecuadas al material a trabajar.**
  - ▶ **Este aparato no está previsto para la utilización por personas (inclusive niños) con limitadas capacidades físicas, sensoriales o intelectuales o con falta de experiencia y conocimientos, a menos que sean supervisados por una persona responsable de su seguridad o hayan sido instruidos por la misma en la utilización del aparato.**



- ▶ **Los niños deben ser supervisados para asegurarse de que no usen el aparato como un juguete.**
- ▶ **Únicamente guíe la pieza de trabajo a la hoja de sierra en funcionamiento.** En caso contrario, ello podría ocasionar un retroceso brusco de la pieza de trabajo al engancharse en ella la hoja de sierra.
- ▶ **En caso de daño y uso inapropiado del acumulador pueden emanar vapores. El acumulador se puede quemar o explotar.** En tal caso, busque un entorno con aire fresco y acuda a un médico si nota molestias. Los vapores pueden llegar a irritar las vías respiratorias.
- ▶ **No intente abrir el acumulador.** Podría provocar un cortocircuito.
- ▶ **Mediante objetos puntiagudos, como p. ej. clavos o destornilladores, o por influjo de fuerza exterior se puede dañar el acumulador.** Se puede generar un cortocircuito interno y el acumulador puede arder, humear, explotar o sobrecalentarse.
- ▶ **Utilice el acumulador únicamente en productos del fabricante.** Solamente así queda protegido el acumulador contra una sobrecarga peligrosa.



**Proteja la batería del calor excesivo, además de, p. ej., una exposición prolongada al sol, la suciedad, el fuego, el agua o la humedad.** Existe riesgo de explosión y cortocircuito.



## Símbolos

Los símbolos mostrados a continuación pueden ser de importancia en el uso de la herramienta eléctrica. Es importante que retenga en su memoria estos símbolos y su significado. La interpretación correcta de estos símbolos le ayudará a manejar mejor, y de forma más segura, la herramienta eléctrica.

### Simbología y su significado



**Mantenga las manos alejadas del área de corte durante el funcionamiento de la herramienta eléctrica.** Peligro de lesiones al tocar la hoja de sierra.



**Colóquese una máscara contra el polvo.**



**Utilice orejeras.** El ruido intenso puede provocar sordera.



**Use gafas protectoras.**

### Simbología y su significado

- 3 601 M44 000** Tenga en cuenta las dimensiones de la hoja de sierra. El orificio debe ajustar sin holgura en el husillo portaútiles. En caso de que sea necesaria la utilización de reductores, preste atención a que las dimensiones del reductor sean las adecuadas para el grosor del disco de soporte y el diámetro del orificio de la hoja de sierra, así como para el diámetro del husillo portaútiles. Utilice en lo posible los reductores suministrados con la hoja de sierra.
- 3 601 M44 0K0**
- 3 601 M44 040**
- 
- 3 601 M44 0B0**
- 

El diámetro de la hoja de sierra debe corresponder a la indicación del símbolo.

- 3 601 M44 000** a El diámetro de la hoja de sierra no debe superar los 216 mm.

- 3 601 M44 0K0** b Preste atención al cambiar la hoja de sierra, que el ancho de corte no sea inferior a 1,7 mm y el espesor de la hoja no sea superior a 1,5 mm. De lo contrario, existe el peligro de que la cuña separadora quede atrapada en la pieza de trabajo.

- 3 601 M44 040** c El espesor de la cuña separadora es de 1,6 mm.

- d La dirección de corte de los dientes (dirección de la flecha sobre la hoja de sierra) debe coincidir con la dirección de la flecha sobre la cuña separadora.

- 3 601 M44 0B0** a El diámetro de la hoja de sierra no debe superar los 216 mm.

- b Preste atención al cambiar la hoja de sierra, que el ancho de corte no sea inferior a 2,3 mm y el espesor de la hoja no sea superior a 2,1 mm. De lo contrario, existe el peligro de que la cuña separadora quede atrapada en la pieza de trabajo.

- c El espesor de la cuña separadora es de 2,2 mm.

- d La dirección de corte de los dientes (dirección de la flecha sobre la hoja de sierra) debe coincidir con la dirección de la flecha sobre la cuña separadora.

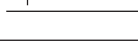
- 3 601 M44 000** El espesor de la cuña separadora es de 1,6 mm.

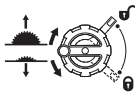
- 3 601 M44 0K0** La altura máxima posible de la pieza de trabajo es de 70 mm.



- 3 601 M44 0B0** El espesor de la cuña separadora asciende a 2,2 mm.

- La altura máxima posible de la pieza de trabajo es de 70 mm.



**Simbología y su significado****Lado izquierdo:**

Indica el sentido de giro de la manivela para sumergir (**posición de transporte**) y subir (**posición de trabajo**) la hoja de sierra.

**Lado derecho:**

Indica la posición de la palanca de bloqueo para bloquear la hoja de sierra y ajustar el ángulo de inglete vertical (hoja de sierra orientable).



Con el distintivo CE, el fabricante confirma que la herramienta eléctrica cumple con las directivas vigentes de la UE.

**Descripción del producto y servicio**

**Lea íntegramente estas indicaciones de seguridad e instrucciones.** Las faltas de observación de las indicaciones de seguridad y de las instrucciones pueden causar descargas eléctricas, incendios y/o lesiones graves.

Por favor, observe las ilustraciones en la parte inicial de las instrucciones de servicio.

**Utilización reglamentaria**

La herramienta eléctrica ha sido proyectada para realizar estacionariamente cortes rectilíneos, a lo largo y a lo ancho, en maderas duras y blandas, así como en tableros aglomerados de madera y tableros de fibra. En ello son posibles ángulos de inglete horizontales de  $-30^\circ$  hasta  $+30^\circ$  así como ángulos de inglete verticales de  $0^\circ$  hasta  $45^\circ$ .

Empleando las hojas de sierra correspondientes es posible serrar también perfiles de aluminio y plástico.

**Componentes principales**

La numeración de los componentes representados se refiere a la imagen de la herramienta eléctrica en la página ilustrada.

- (1) Escala de separación entre la hoja de sierra y tope paralelo
- (2) Tope angular
- (3) Cubierta protectora
- (4) Cuña separadora
- (5) Tope paralelo
- (6) Ampliación de la mesa de corte
- (7) Depósito de tope angular
- (8) Taladros de sujeción
- (9) Llave anular (23 mm; 13 mm)
- (10) Llave macho hexagonal (5 mm)
- (11) Soporte para el almacenamiento de la cubierta protectora
- (12) Bastón de empuje
- (13) Palanca de enclavamiento para ampliación de mesa de corte
- (14) Volante
- (15) Manivela para subir y bajar la hoja de sierra
- (16) Interruptor de conexión/desconexión
- (17) Acumulador<sup>3)</sup>
- (18) Tope para el ángulo de inglete de  $45^\circ$  (vertical)
- (19) Escala para ángulos de inglete (vertical)
- (20) Palanca de bloqueo del ángulo de inglete vertical
- (21) Indicador de ángulos (vertical)
- (22) Tope para el ángulo de inglete de  $0^\circ$  (vertical)
- (23) Mesa de corte
- (24) Tornillo de ajuste de la fuerza de aplicación del tope paralelo
- (25) Inserto de la mesa
- (26) Hoja de sierra
- (27) Ranura guía para tope paralelo
- (28) Tecla de desenclavamiento del acumulador<sup>3)</sup>
- (29) Asa de transporte
- (30) Ranura guía del tope para ángulos
- (31) Adaptador para aspiración de polvo
- (32) Ranura guía en V en la mesa de corte para el tope paralelo
- (33) Rejilla base
- (34) Tornillo de retención de la rejilla base
- (35) Marcas de palanca de sujeción/abrazadera
- (36) Palanca de sujeción de la cuña separadora
- (37) Espigas de posicionamiento para la cuña separadora
- (38) Tornillo de retención del inserto de la mesa
- (39) Palanca de sujeción de la cubierta protectora
- (40) Pernos guía de la cubierta protectora
- (41) Palanca de enclavamiento del tope paralelo
- (42) Guía en V del tope paralelo
- (43) Tope paralelo auxiliar
- (44) Set de fijación «tope paralelo adicional»
- (45) Carril guía del tope para ángulos
- (46) Cubierta inferior de hoja de sierra
- (47) Brida de la cubierta inferior de la hoja de sierra
- (48) Agujero de asidero para elevar el inserto de la mesa
- (49) Tuerca de sujeción
- (50) Palanca de retención del husillo
- (51) Brida de apriete
- (52) Brida de apoyo
- (53) Husillo portaútiles
- (54) Mango de bloqueo para ángulos de inglete discretos (horizontal)
- (55) Indicador de ángulos del tope para ángulos

- (56) Indicador de escala
  - (57) Indicador de separación de mesa de corte
  - (58) Tornillo con ranura cruzada para ajustar el tope 0°
  - (59) Tornillo de indicador de ángulos (vertical)
  - (60) Tornillo con ranura cruzada para ajustar el tope 45°
  - (61) Tornillos de hexágono interior (5 mm) delanteros para ajustar el paralelismo de la hoja de sierra
  - (62) Tornillos de hexágono interior (5 mm) traseros para ajustar el paralelismo de la hoja de sierra
  - (63) Tornillo para el índice de la escala de la mesa de corte
  - (64) Tornillos de hexágono interior (5 mm) para ajustar el paralelismo del tope paralelo
  - (65) Tornillo para el índice de la escala del tope paralelo
  - (66) Tornillos de ajuste para el inserto de la mesa
  - (67) Depósito de bastón de empuje
  - (68) Depósito de llave macho hexagonal
  - (69) Depósito de llave anular
- a) **Los accesorios descritos e ilustrados no corresponden al material que se adjunta de serie. La gama completa de accesorios opcionales se detalla en nuestro programa de accesorios.**

## Datos técnicos

Sierra circular de mesa		GTS 18V-216	GTS 18V-216
Número de artículo		<b>3 601 M44 000</b> <b>3 601 M44 040</b> <b>3 601 M44 0K0</b>	<b>3 601 M44 0B0</b>
Tensión nominal	V=	18	18
Número de revoluciones en vacío <sup>A)</sup>	min <sup>-1</sup>	4500	4500
Limitación de la corriente de arranque		●	●
Peso según EPTA-Procedure 01:2014 <sup>B)</sup>	kg	20,5-21,6	20,5-21,6
Temperatura ambiente recomendada durante la carga	°C	0...+35	0...+35
Temperatura ambiente permitida durante el servicio <sup>C)</sup> y en el almacenamiento	°C	-20...+50	-20...+50
Acumuladores compatibles		GBA 18V... ProCORE18V...	GBA 18V... ProCORE18V...
Acumuladores recomendados para plena potencia		ProCORE18V... ≥ 5,5 Ah	ProCORE18V... ≥ 5,5 Ah
Cargadores recomendados		GAL 18... GAX 18... GAL 36...	GAL 18... GAX 18... GAL 36...
Dimensiones (incluidos los elementos del aparato desmontables)			
Ancho x fondo x altura	mm	658 x 332 x 553	658 x 332 x 553
<b>Medidas que deberán cumplir las hojas de sierra</b>			
Diámetro de la hoja de sierra	mm	216	216
Grosor del disco base	mm	<1,5	1,5-2,1
Mín. grosor del diente/triscado	mm	>1,7	>2,3
Diámetro de taladro	mm	30	25,4

A) Medido a 20-25 °C con acumulador **ProCORE18V 12.0Ah**.

B) depende de la batería utilizada

C) Potencia limitada a temperaturas < 0 °C

Tamaño máximo de la pieza de trabajo: (ver "Dimensiones máximas de la pieza de trabajo", Página 73)

Los valores pueden variar dependiendo del producto y están sujetos a la aplicación y a las condiciones medioambientales. Más información en [www.bosch-professional.com/wac](http://www.bosch-professional.com/wac).

## Información sobre el ruido

Valores de emisión de ruidos determinados según **EN 62841-3-1**.

El nivel de ruidos valorado con A de la herramienta eléctrica asciende típicamente a: nivel de presión acústica **81 dB(A)**; nivel de potencia acústica **94 dB(A)**. Inseguridad K = **3 dB**.

**¡Usar protección auditiva!**

El valor de emisiones de ruidos indicado en estas instrucciones ha sido determinado según un procedimiento de medición normalizado y puede servir como base de comparación con otras herramientas eléctricas. También es adecuado para estimar provisionalmente la emisión de ruidos.

El valor de emisiones de ruidos indicado ha sido determinado para las aplicaciones principales de la herramienta eléctrica. Por ello, el valor de emisiones de ruidos puede ser diferente si la herramienta eléctrica se utiliza para otras aplicaciones, con útiles diferentes, o si el mantenimiento de la misma fuese deficiente. Ello puede suponer un aumento drástico de la emisión de ruidos durante el tiempo total de trabajo.

Para determinar con exactitud las emisiones de ruidos, es necesario considerar también aquellos tiempos en los que el aparato esté desconectado, o bien, esté en funcionamiento, pero sin ser utilizado realmente. Ello puede suponer una disminución drástica de las emisiones de ruidos durante el tiempo total de trabajo.

## Acumulador

**Bosch** también vende herramientas eléctricas accionadas por acumulador sin acumulador. En el embalaje puede ver si un acumulador está incluido en el volumen de suministro de su herramienta eléctrica.

### Carga del acumulador

► **Utilice únicamente los cargadores que se enumeran en los datos técnicos.** Solamente estos cargadores han sido especialmente adaptados a los acumuladores de iones de litio empleados en su herramienta eléctrica.

**Indicación:** Los acumuladores de iones de litio se entregan parcialmente cargados debido a la normativa de transporte internacional. Con el fin de obtener la plena potencia del acumulador, cargue completamente el acumulador antes de su primer uso.

### Montaje del acumulador

Desplace el acumulador cargado en el alojamiento del acumulador, hasta que encastre perceptible.



**Bosch** recomienda la utilización de acumuladores con una capacidad de como mínimo 3,0 Ah.

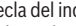
### Desmontaje del acumulador

Para la extracción del acumulador, presione la tecla de desenclavamiento y retire el acumulador. **No proceda con brusquedad.**

El acumulador dispone de 2 etapas de enclavamiento para evitar que se salga en el caso de un accionamiento accidental de la tecla de desenclavamiento del acumulador. Mientras la batería esté montada en la herramienta eléctrica, permanecerá retenida en su posición mediante un resorte.

### Indicador del estado de carga del acumulador

Los LEDs verdes del indicador del estado de carga del acumulador indican el estado de carga del acumulador. Por motivos de seguridad, la consulta del estado de carga es solo posible con la herramienta eléctrica parada.

Presione la tecla del indicador de estado de carga , para indicar el estado de carga. Esto también es posible con el acumulador desmontado.

Si tras presionar la tecla del indicador de estado de carga no se enciende ningún LED, significa que el acumulador está defectuoso y debe sustituirse.

#### Tipo de acumulador GBA 18V...



Diodo luminoso (LED)	Capacidad
Luz permanente 3 × verde	60–100 %
Luz permanente 2 × verde	30–60 %
Luz permanente 1 × verde	5–30 %
Luz intermitente 1 × verde	0–5 %

#### Tipo de acumulador ProCORE18V...



Diodo luminoso (LED)	Capacidad
Luz permanente 5 × verde	80–100 %
Luz permanente 4 × verde	60–80 %
Luz permanente 3 × verde	40–60 %
Luz permanente 2 × verde	20–40 %
Luz permanente 1 × verde	5–20 %
Luz intermitente 1 × verde	0–5 %

### Indicaciones para el trato óptimo del acumulador

Proteja el acumulador de la humedad y del agua.

Únicamente almacene el acumulador en el margen de temperatura desde -20 °C hasta 50 °C. P.ej., no deje el acumulador en el coche en verano.

Limpie de vez en cuando las rejillas de refrigeración del acumulador con un pincel suave, limpio y seco.

Si después de una recarga, el tiempo de funcionamiento del acumulador fuese muy reducido, ello es señal de que éste está agotado y deberá sustituirse.

Observe las indicaciones referentes a la eliminación.

## Montaje

► **Desmunte el acumulador antes de manipular la herramienta eléctrica (p. ej. en el mantenimiento, cambio de útil, etc.) así como al transportarla y guardarla.** En caso contrario podría accidentarse al accionar fortuitamente el interruptor de conexión/desconexión.

## Material que se adjunta

Antes de la primera puesta en marcha de la herramienta eléctrica, cerciórese de que se han suministrado todas las partes que a continuación se detallan:

- Sierra circular de mesa con hoja de sierra montada (26) y cuña separadora (4)
- Tope angular (2)
- Tope paralelo (5)
- Tope paralelo auxiliar (43)
- Set de fijación «tope paralelo auxiliar» (44) (2 tornillos de fijación, 2 arandelas, 2 tuercas de mariposa)
- Cubierta protectora (3)
- Llave macho hexagonal (10)
- Llave anular (9) con punta de destornillador
- Bastón de empuje (12)
- Inserto de la mesa (25)

**Indicación:** Compruebe la herramienta eléctrica respecto a posibles daños.

Antes de seguir utilizando la herramienta eléctrica deberá controlarse minuciosamente si los dispositivos protectores, o las partes dañadas, aún si el daño fuese leve, funcionan correctamente y reglamentariamente. Verifique si están dañadas las partes móviles y que puedan moverse libremente, sin atascarse. Todas las partes, además de estar correctamente montadas, deberán satisfacer todas las condiciones para asegurar una operación correcta.

Los dispositivos protectores y las partes dañadas deberán hacerse reparar o sustituir por un taller especializado autorizado.

## Herramientas necesarias que no se suministran con el aparato:

- Destornillador de cruz
- Calibre de ángulos

## Montaje de componentes

- Saque cuidadosamente del embalaje todas las partes suministradas.
- Retire completamente todo el material de embalaje del aparato y de los accesorios suministrados.
- Gire los tornillos de retención (34) con la punta de la llave anular (9) hasta el tope en sentido de giro "cerradura abierta" y abra la rejilla base (33) (ver figura a). Retire el material de embalaje por debajo del bloque motor.

En la carcasa están fijados directamente los siguientes elementos del aparato: bastón de empuje (12), llave anular (9), llave macho hexagonal (10), tope paralelo (5), tope angular (2), adaptador para aspiración de polvo (31), tope paralelo auxiliar (43) con set de fijación (44), cubierta protectora (3).

- Cuando necesite uno de estos elementos del aparato, extraígalos con cuidado de su depósito de almacenamiento.

## Posicionamiento de la cuña separadora (ver figuras b1-b2)

**Nota:** Si fuese necesario, limpie primero las piezas antes de posicionarlas.

- Gire la manivela (15) en sentido horario hasta el tope de manera que la hoja de sierra (26) se encuentre en la posición más alta posible sobre la mesa de corte.
- Suelte la palanca de sujeción (36) en el sentido de las agujas del reloj, hasta que apunte hacia arriba.
- Empuje la cuña separadora (4) hacia la palanca de sujeción (36), hasta que se pueda sacar hacia arriba.
- Tire hacia arriba de la cuña separadora por completo para que quede exactamente sobre el centro de la hoja de sierra.
- Deje que encajen las dos espigas (37) en los agujeros inferiores de la cuña separadora y vuelva a apretar la palanca de sujeción (36).

Las marcas (35) en la abrazadera y la palanca de sujeción (36) deben estar alineadas como se muestra.

## Montaje del inserto de la mesa (ver figura c)

- Coloque el inserto de la mesa (25) sobre la cuña separadora (4) en el compartimiento para herramientas.
- Gire el tornillo de retención (38) con la punta de la llave anular (9) hasta el tope en sentido de giro "cerradura cerrada".

El lado delantero del inserto de la mesa (25) debe estar a ras o un poco por debajo de la mesa de corte, el lado posterior debe estar a ras o un poco por encima de la mesa de corte.

## Montaje de la cubierta protectora (ver figuras d1-d2)

**Nota:** Monte la cubierta protectora únicamente cuando la cuña separadora se encuentra en la posición más alta precisamente sobre la mitad de la hoja de sierra (ver figura b2).

No monte la cubierta protectora si la cuña separadora se encuentra en la posición más baja (estado de entrega o posición para el aserrado de ranuras) (ver figura b1).

- Suelte la palanca de sujeción (39) y extraiga la cubierta protectora (3) del soporte (11).
- Sujete firmemente la protección de la hoja de sierra (barra metálica superior) de la cubierta protectora (3) con una mano y, con la otra, la palanca de sujeción (39) hacia arriba.
- Deslice los pernos guía (40) hacia atrás, hacia la ranura de la cuña separadora (4).
- Empuje la cubierta de protección (3) hacia abajo hasta que la protección de la hoja de la sierra (barra metálica superior) se encuentre en paralelo con la superficie de la mesa de corte (23).
- Presione la palanca de sujeción (39) hacia abajo. La palanca de sujeción debe encajar de manera tangible y audible y la cubierta protectora (3) debe estar montada firmemente y de manera segura.

- **Antes de cada uso, compruebe si la cubierta protectora se mueve correctamente. No utilice la herramienta eléctrica, si la cubierta protectora no se mueve libremente y no se cierra inmediatamente.**

**Montaje del tope paralelo (ver figura e)**

El tope paralelo (5) puede posicionarse tanto a la izquierda como a la derecha de la hoja de sierra.

- Suelte la palanca de enclavamiento (41) del tope paralelo (5). Con esto se descarga la guía V (42).
- Coloque primero el tope paralelo con la guía V en la ranura guía (32) de la mesa de corte. A continuación, posicione el tope paralelo en la ranura guía delantera (27) de la mesa de corte.
- El tope paralelo puede entonces desplazarse a voluntad.
- Para fijar el tope paralelo, presione hacia abajo la palanca de enclavamiento (41).

**Montaje del tope paralelo auxiliar (ver figura f)**

**Para el aserrado de piezas de trabajo estrechas y para el aserrado de ángulos de inglete verticales**, debe montar el tope paralelo auxiliar (43) en el tope paralelo (5).

El tope paralelo auxiliar puede montarse a la izquierda o derecha del tope paralelo (5) según sea necesario.

Para el montaje, utilice el set de fijación "Tope paralelo auxiliar" (44) (2 tornillos de fijación, 2 arandelas, 2 tuercas de mariposa).

- Deslice los tornillos de fijación por los agujeros laterales del tope paralelo (5).
- Las cabezas de los tornillos sirven aquí de guía para el tope paralelo auxiliar.
- Deslice el tope paralelo auxiliar (43) sobre las cabezas de los tornillos de fijación.
- Coloque las arandelas en los tornillos de fijación y apriete firmemente los tornillos con ayuda de las tuercas de mariposa.

**Montaje del tope angular (ver figura g)**

- Introduzca los rieles (45) del tope angular (2) en las ranuras guía previstas para tal fin (30) de la mesa de corte.

**Montaje estacionario o transitorio**

- ▶ **Para garantizar un manejo seguro deberá trabajarse con la herramienta eléctrica colocándola sobre una base de trabajo plana y estable (p. ej. un banco de trabajo).**

**Montaje sobre una superficie de trabajo (ver figura h)**

- Sujete la herramienta eléctrica a la superficie de trabajo con unos tornillos de sujeción adecuados. Para ello se utilizan los agujeros (8).

**Montaje en una mesa de trabajo Bosch (ver figura i)**

Las mesas de trabajo de Bosch (p. ej., **GTA 560**) garantizan la sujeción de la herramienta eléctrica en cualquier suelo con patas regulables en altura.

- ▶ **Lea íntegramente las advertencias de peligro e instrucciones que se adjuntan con la mesa de trabajo.** En caso de no atenderse a las advertencias de peligro e instrucciones, ello puede ocasionar una electrocución, un incendio y/o lesión grave.
- ▶ **Ensamble correctamente la mesa de trabajo antes de montar la herramienta eléctrica.** Un ensamble correcto

es primordial para conseguir una buena estabilidad y evitar accidentes.

- Monte la herramienta eléctrica, teniéndola colocada en la posición de transporte, sobre la mesa de trabajo.

**Aspiración de polvo y virutas**

El polvo de ciertos materiales como, pinturas que contengan plomo, ciertos tipos de madera y algunos minerales y metales, puede ser nocivo para la salud. El contacto y la inspiración de estos polvos pueden provocar en el usuario o en las personas circundantes reacciones alérgicas y/o enfermedades respiratorias.

Ciertos polvos como los de roble, encina y haya son considerados como cancerígenos, especialmente en combinación con los aditivos para el tratamiento de la madera (cromatos, conservantes de la madera). Los materiales que contengan amianto solamente deberán ser procesados por especialistas.

- A ser posible utilice un equipo para aspiración de polvo apropiado para el material a trabajar.
- Observe que esté bien ventilado el puesto de trabajo.
- Se recomienda una mascarilla protectora con un filtro de la clase P2.

Observe las prescripciones vigentes en su país sobre los materiales a trabajar.

**▶ Evite acumulaciones de polvo en el puesto de trabajo.**

Los materiales en polvo se pueden inflamar fácilmente.

El conducto de aspiración de polvo y virutas puede llegar a obstruirse con polvo, virutas o fragmentos de la pieza de trabajo.

- Apague la herramienta eléctrica y extraiga la batería.
- Espere, a que se haya detenido completamente la hoja de sierra.
- Determine y subsane la causa de la obstrucción.

**▶ Para evitar el riesgo de incendio al aserrar aluminio, vacíe la cubierta inferior de la hoja de sierra y no utilice ninguna extracción de viruta.****Limpieza de la cubierta inferior de la hoja de sierra (ver figura j)**

Para eliminar fragmentos de la pieza de trabajo y virutas grandes, puede abrir la cubierta inferior de la hoja de sierra (46).

- Desconecte la herramienta eléctrica y extraiga el acumulador de la herramienta eléctrica.
- Espere, a que se haya detenido completamente la hoja de sierra.
- Incline y deposite la herramienta eléctrica sobre uno de sus costados.
- Abra la rejilla base (33) (ver figura a).
- Separe ligeramente las lengüetas (47) de la cubierta inferior de la hoja de sierra y abra desplegando la cubierta inferior de la hoja de sierra (46).
- Retire las astillas y las virutas.
- Cierre de nuevo la cubierta inferior de la hoja de sierra (46), hasta que encastran las lengüetas (47).

- Cierre la rejilla base (33).
- Coloque la herramienta eléctrica en la posición de trabajo.

#### Aspiración externa (ver figura k)

- Inserte una manguera de aspirador adecuada en el adaptador de aspiración (31).

El aspirador debe ser adecuado para el material a trabajar. Para aspirar polvo especialmente nocivo para la salud, cancerígeno, o polvo seco utilice un aspirador especial.

#### Cambio del disco de sierra (ver figuras l1-l4)

- ▶ **Desmonte el acumulador antes de manipular la herramienta eléctrica (p. ej. en el mantenimiento, cambio de útil, etc.) así como al transportarla y guardarla.** En caso contrario podría accidentarse al accionar fortuitamente el interruptor de conexión/desconexión.
- ▶ **Al montar la hoja de sierra utilice unos guantes de protección.** Existe peligro de lesión.
- ▶ **Solamente use hojas de sierra cuyas revoluciones máximas admisibles sean superiores a las revoluciones en vacío de la herramienta eléctrica.**
- ▶ **Únicamente use hojas de sierra con los datos característicos indicados en estas instrucciones de servicio y en la herramienta eléctrica que hayan sido ensayadas y estén marcadas conforme a EN 847-1.**
- ▶ **Utilice solamente las hojas de sierra, que han sido recomendadas por el fabricante de esta herramienta eléctrica y que son adecuadas para el material que desea labrar.** Esto evita el sobrecalentamiento de las puntas del diente de sierra y la fusión del plástico a labrar.
- ▶ **No use hojas de sierra de acero HSS.** Las hojas de sierra de este tipo pueden romperse fácilmente.

#### Desmontaje de la hoja de sierra

- Abra la palanca de sujeción (39) y retire la cubierta protectora (3) de la ranura de la cuña separadora (4).
- Gire el tornillo de retención (38) con la punta de la llave anular (9) hasta el tope en sentido de giro "cerradura abierta" y saque el inserto de la mesa (25) del compartimiento de herramientas. Un agujero de asidero sirve para facilitar el levantamiento (48).
- Gire la manivela (15) en sentido horario hasta el tope de manera que el disco de sierra (26) se encuentre en la posición más alta posible sobre la mesa de corte.
- Gire la tuerca de sujeción (49) con la llave anular (9) y tire simultáneamente de la palanca de retención del husillo (50) hasta que esta encaje.
- Mantenga la palanca de retención del husillo en esa posición, y afloje la tuerca de sujeción girándola en sentido contrario a las agujas del reloj.
- Extraiga la brida de apriete (51).
- Extraiga el disco de sierra (26).

#### Montaje de la hoja de sierra

- Si fuese necesario, limpie primero las piezas antes de montarlas.

- Coloque el nuevo disco de sierra en la brida de admisión (52) del husillo de la herramienta (53).

**Nota:** No utilice un disco de sierra demasiado pequeño. La ranura radial entre el disco de sierra y la cuña separadora debe ser como máximo de 3-8 mm.

- ▶ **¡Preste atención en el montaje, a que el sentido de corte de los dientes (dirección de la flecha en la hoja de sierra) coincida con la dirección de la flecha sobre la cuña separadora!**
- Coloque la brida de apriete (51) y la tuerca de sujeción (49).
- Gire la tuerca de sujeción (49) con la llave anular (9) y tire simultáneamente de la palanca de retención del husillo (50) hasta que esta encaje.
- Apriete firmemente la tuerca de fijación en el sentido de las agujas del reloj.
- Coloque el inserto de la mesa (25) sobre la cuña separadora (4) en el compartimiento para herramientas. Gire el tornillo de retención (38) con la punta de la llave anular (9) hasta el tope en sentido de giro "cerradura cerrada".
- Vuelva a montar la cubierta protectora (3).

## Operación

- ▶ **Desmonte el acumulador antes de manipular la herramienta eléctrica (p. ej. en el mantenimiento, cambio de útil, etc.) así como al transportarla y guardarla.** En caso contrario podría accidentarse al accionar fortuitamente el interruptor de conexión/desconexión.

### Posición de transporte y trabajo del disco de sierra

#### Posición de transporte

- Retire la cubierta protectora (3), retire el inserto de la mesa (25) y coloque la cuña separadora (4) en la posición más baja. Vuelva a colocar el inserto de la mesa (25).
- Gire la manivela (15) en sentido antihorario hasta que los dientes del disco de sierra (26) se encuentren por debajo de la mesa de corte (23).
- Deslice la ampliación de mesa de corte (6) por completo hacia el interior. Presione la palanca de enclavamiento (13) hacia abajo. Queda bloqueada así la ampliación de la mesa.

#### Posición de trabajo

- Posicione la cuña separadora (4) en la posición más alta precisamente sobre el centro del disco de sierra, introduzca el inserto de la mesa (25) y monte la cubierta protectora (3).
- Gire la manivela (15) en sentido horario hasta que los dientes superiores del disco de sierra (26) se encuentren aprox. 3-6 mm por encima de la pieza de trabajo.

### Ampliación de la mesa de corte

En las piezas de trabajo largas y pesadas, su extremo libre deberá soportarse convenientemente.

#### Ampliación de la mesa de corte (ver figura A)

La ampliación de la mesa de corte (6) prolonga la mesa de corte (23) hacia la derecha.

- Tire de la palanca de enclavamiento (13) de la prolongación de la mesa de corte hacia arriba por completo.
- Extraiga la ampliación de la mesa de corte (6) hasta alcanzar la longitud deseada hacia fuera.
- Presione la palanca de enclavamiento (13) hacia abajo. Queda bloqueada así la ampliación de la mesa.

### Ajuste de los ángulos de inglete vertical y horizontal

Si la herramienta eléctrica ha estado sometida a un uso intenso, deberá verificarse y reajustarse, dado el caso, para garantizar un corte exacto.

#### Ajuste del ángulo de inglete vertical (disco de sierra) (ver figura B)

El ángulo de inglete vertical se puede ajustar en un rango de 0° hasta 45°.

- Afloje la palanca de bloqueo (20) en sentido antihorario.

**Nota:** Al soltar por completo la palanca de bloqueo, el disco de sierra se inclina por la gravedad en una posición que se corresponde aproximadamente a 30°.

- Tire o presione el volante (14) a lo largo de la corredera hasta que el indicador de ángulo (21) muestre el ángulo de inglete vertical deseado.
- Mantenga el volante en esta posición y vuelva a apretar la palanca de bloqueo (20).

**Para un ajuste rápido y preciso de los ángulos verticales estándar de 0° y 45°**, se han previsto toques ajustados de fábrica ((22), (18)).

#### Ajuste del ángulo de inglete horizontal (disco de sierra) (ver figura C)

El ángulo de inglete horizontal se puede ajustar en un rango de 30° (lado izquierdo) hasta 30° (lado derecho).

- Afloje el mango de bloqueo (54) si está apretado.
- Gire el tope angular hasta que el indicador de ángulo (55) muestre el ángulo de inglete deseado.
- Vuelva a apretar el mango de bloqueo (54).

### Ajuste del tope paralelo

El tope paralelo (5) puede posicionarse a la izquierda (escala negra) o a la derecha (escala plateada) del disco de sierra. La marca en el indicador de la escala (56) muestra la distancia ajustada del tope paralelo con respecto al disco de sierra en la escala (1).

Posicione el tope paralelo en el lado deseado del disco de sierra (ver "Montaje del tope paralelo (ver figura e)", Página 70).

### Ajuste del tope paralelo cuando la mesa de corte no está extendido

- Suelte la palanca de enclavamiento (41) del tope paralelo (5). Deslice el tope paralelo, hasta que la marca en el indicador de la escala (56) muestre la distancia deseada con respecto al disco de sierra. Con la mesa de corte no extendida, se aplica la inscripción inferior de la escala plateada (1).
- Para su fijación, vuelva a presionar hacia abajo la palanca de enclavamiento (41).

### Ajuste del tope paralelo con la mesa de corte extendida (ver figura D)

- Posicione el tope paralelo a la derecha del disco de sierra. Deslice el tope paralelo, hasta que la marca en el indicador de la escala (56) muestre en la escala inferior 29 cm. Para su fijación, vuelva a presionar hacia abajo la palanca de enclavamiento (41).
- Tire de la palanca de enclavamiento (13) de la ampliación de la mesa de corte hacia arriba por completo.
- Extraiga la ampliación de la mesa de corte (6) hacia fuera, hasta que el indicador de distancia (57) muestre la distancia deseada con el disco de sierra en la escala superior.
- Presione la palanca de enclavamiento (13) hacia abajo. Queda bloqueada así la ampliación de la mesa.

### Ajuste del tope paralelo auxiliar (ver figura E)

**Para el aserrado de piezas de trabajo estrechas y para el aserrado de ángulos de inglete verticales**, debe montar el tope paralelo auxiliar (43) en el tope paralelo (5).

El tope paralelo auxiliar puede montarse a la izquierda o derecha del tope paralelo (5) según sea necesario.

Las piezas de trabajo pueden quedar aprisionadas entre el tope paralelo y la hoja de sierra, pudiendo ser arrastradas y salir proyectadas por la hoja de sierra en movimiento.

Por ello, ajuste el tope paralelo auxiliar de manera que su extremo final quede dentro de la zona comprendida entre el diente de la hoja de sierra situado más adelante y el borde anterior de la cuña separadora.

- Suelte para ello todas las tuercas de mariposa del set de fijación (44) y deslice el tope paralelo auxiliar hasta que solo se utilicen los dos tornillos delanteros para la fijación.
- Vuelva a apretar las tuercas de mariposa.

### Ajuste de la cuña separadora

La cuña separadora (4) impide que el disco de sierra (26) quede atascado en la entalladura de corte. En caso contrario, ello podría ocasionar un retroceso brusco de la pieza de trabajo al engancharse en ella la hoja de sierra.

Por ello, preste atención a que siempre esté correctamente ajustada la cuña separadora:

- La ranura radial entre el disco de sierra y la cuña separadora debe ser como máximo de 3–8 mm.



- El grosor de la cuña separadora deberá ser inferior al ancho de la ranura corte y mayor que el grosor del disco base de la hoja de sierra.
- La cuña separadora deberá estar alineada siempre con la hoja de sierra.
- Para realizar cortes de división normales la cuña separadora deberá colocarse en la posición más alta posible.

#### Ajuste de la altura de la cuña separadora (ver figura F)

Para serrar ranuras debe ajustar la altura de la cuña separadora.

- ▶ **Utilice la herramienta eléctrica para ranurar o rebordar sólo con un correspondiente dispositivo protector adecuado (p. ej. cubierta protectora tipo túnel, peine de presión).**
- Abra la palanca de sujeción (39) y retire la cubierta protectora (3) de la ranura de la cuña separadora (4). Para proteger la cubierta protectora de daños, colóquela en el soporte (11) previsto para tal fin situado en la carcasa (ver también figura O2).
- Gire la manivela (15) en sentido horario hasta el tope de manera que el disco de sierra (26) se encuentre en la posición más alta posible sobre la mesa de corte.
- Suelte la palanca de sujeción (36) en el sentido de las agujas del reloj, hasta que apunte hacia arriba.
- Suelte la cuña separadora de las espigas (37) (tirar de la palanca de sujeción (36) un poco hacia fuera) y empuje la cuña separadora (4) hacia abajo, hasta el tope.
- Deje que encajen las dos espigas (37) en los agujeros superiores de la cuña separadora y vuelva a apretar la palanca de sujeción (36). Las marcas (35) en la abrazadera y en la palanca de sujeción (36) deben estar alineadas como se muestra.

#### Puesta en marcha

##### Conexión (ver figura G1)

- Para la puesta en servicio, presione por ambos lados el interruptor de conexión/desconexión (16) y tirelo hacia arriba.

##### Desconexión (ver figura G2)

- Presione totalmente hacia abajo el interruptor de conexión/desconexión (16).

##### Protección contra manejo no autorizado (ver figura G3)

Para la protección contra manejo no autorizado puede bloquear el interruptor de conexión/desconexión (16) con la ayuda de un candado.

- Coloque un candado con un estribo largo a través del orificio en el interruptor de conexión/desconexión (16) y cierrelo.

#### Instrucciones para la operación

##### Instrucciones generales para serrar

- ▶ **Antes de comenzar a serrar deberá asegurarse primeramente de que la hoja de sierra no pueda tocar en**

**ningún momento los topes u otros elementos del aparato.**

- ▶ **Utilice la herramienta eléctrica para ranurar o rebordar sólo con un correspondiente dispositivo protector adecuado (p. ej. cubierta protectora tipo túnel, peine de presión).**
- ▶ **No utilice la herramienta eléctrica para ranurar (ranura terminada en la pieza de trabajo).**

Proteja la hoja de sierra contra golpes y choques. No ejerza una presión lateral contra la hoja de sierra.

La cuña separadora debe quedar bien alineada con la hoja de sierra para evitar que se atasque la pieza de trabajo al serrar.

No trabaje piezas que estén deformadas. Las piezas de trabajo deben disponer siempre de un canto recto que sirva de guía al aserrarlo contra el tope paralelo.

Guardé siempre el bastón de empuje en la herramienta eléctrica.

##### Posición del operador (ver figura H)

- ▶ **Nunca esté ubicado directamente en línea con la hoja de sierra. Siempre posicione su cuerpo en el mismo lado de la hoja de sierra en el cual se encuentra la guía.**

En el caso de un contragolpe, la pieza de trabajo puede salir impulsada a gran velocidad sobre personas, que se encuentren delante y en línea con la hoja de sierra.

- Mantenga alejados de la hoja de sierra en funcionamiento las manos, los dedos y los brazos.

Observe la instrucciones que a continuación se indican:

- Sujete firmemente con ambas manos la pieza de trabajo y apriétela firmemente contra la mesa de corte.
- Para las piezas de trabajo estrechas y para el aserrado de ángulos de inglete verticales, utilice siempre el bastón de empuje (12) suministrado y el tope paralelo auxiliar (43).

##### Dimensiones máximas de la pieza de trabajo

Ángulo de inglete vertical	Altura máx. de la pieza de trabajo [mm]
0°	70
45°	50

#### Serrado

##### Realización de cortes rectos

- Ajuste el tope paralelo (5) al ancho de corte deseado.
- Coloque la pieza de trabajo en la mesa de corte delante de la cubierta protectora (3).
- Levante o baje el disco de corte con la manivela (15) hasta que los dientes superiores del disco de sierra (26) se encuentren aprox. 3 - 6 mm por encima de la pieza de trabajo.
- Conecte la herramienta eléctrica.
- Sierre la pieza de trabajo con un avance uniforme. Si ejerce demasiada presión, se pueden sobrecalentar las puntas de la hoja de sierra y se puede dañar la pieza de trabajo.

- Desconecte la herramienta eléctrica y espere a que la hoja de sierra se haya detenido por completo.

#### Serrado de ángulos de inglete verticales

- Ajuste el ángulo de inglete vertical deseado del disco de sierra.  
En el caso de una hoja de sierra inclinada hacia la izquierda, el tope paralelo (5) debe estar a la derecha de la hoja de sierra.
- Siga los pasos de trabajo según: (ver "Realización de cortes rectos", Página 73)

#### Aserrado de ángulos de inglete horizontales (ver figura I)

- Ajuste el ángulo de inglete horizontal deseado en el tope angular (2).
- Coloque la pieza de trabajo en el tope angular (2).
- Suba o baje la hoja de sierra con la manivela (15), de manera que los dientes superiores de la sierra sobresalgan aprox. 5 mm sobre la superficie de la pieza de trabajo.
- Conecte la herramienta eléctrica.
- Con una mano, presione la pieza de trabajo contra el tope angular y, con la otra mano en el mango de bloqueo (54), deslícela lentamente en la ranura guía (30) hacia delante.
- Desconecte la herramienta eléctrica y espere a que la hoja de sierra se haya detenido por completo.

#### Comprobación y reajuste del ajuste básico

Si la herramienta eléctrica ha estado sometida a un uso intenso, deberá verificarse y reajustarse, dado el caso, para garantizar un corte exacto. Para ello se requiere cierta experiencia y la correspondiente herramienta especial.

El servicio técnico Bosch realiza este trabajo rápida y concienzudamente.

#### Ajuste de topes para ángulos de inglete verticales estándar de 0°/45°

- Coloque la herramienta eléctrica en la posición de trabajo.
- Ajuste un ángulo de inglete vertical del disco de sierra de 0°.
- Retire la cubierta protectora (3).

#### Comprobación (ver figura J1)

- Retire el inserto de la mesa (25) (ver "Montaje del inserto de la mesa (ver figura c)", Página 69).
- Ajuste un calibre de ángulos a 90° y colóquelo sobre la mesa de corte (23).

El lado del calibre de ángulos debe estar a ras con el disco de sierra (26) en toda su longitud.

#### Ajuste (ver figura J2)

- Suelte el tornillo (58). De esta manera, se puede mover el tope de 0° (22).
- Suelte la palanca de sujeción (20).
- Empuje el volante (14) contra el tope de 0°, hasta que el lado del calibre de ángulos esté a ras con el disco de sierra en toda su longitud.

- Mantenga el volante en esta posición y vuelva a apretar la palanca de bloqueo (20).
- Vuelva a apretar el tornillo (58).
- Monte de nuevo el inserto de la mesa (25) (ver "Montaje del inserto de la mesa (ver figura c)", Página 69).

Si, después del ajuste, el indicador de ángulos (21) no se encuentra en una línea con la marca 0° de la escala (19), suelte el tornillo (59) con un destornillador para tornillos de cabeza ranurada en cruz convencional y alinee el indicador de ángulos a lo largo de la marca de 0°.

Repita los pasos de trabajo mencionados anteriormente de la manera correspondiente para el ángulo de inglete vertical de 45° (desatornillado del tornillo (60); desplazamiento del tope de 45° (18)). El indicador de ángulos (21) no debe volver a ajustarse.

#### Paralelismo del disco de sierra con las ranuras guía del tope angular (ver figura K)

- Coloque la herramienta eléctrica en la posición de trabajo.
- Retire la cubierta protectora (3).

#### Control

- Marque con un lápiz el primer diente de sierra izquierdo que se puede ver detrás sobre el inserto de la mesa.
- Ajuste un calibre de ángulos a 90° y colóquelo en el canto de la ranura guía (30).
- Empuje el lado del calibre de ángulos hasta que toque el diente de sierra marcado. Lea la distancia entre el disco de sierra y la ranura guía.
- Gire el disco de sierra hasta que el diente marcado se encuentre sobre la parte delantera del inserto de la mesa.
- Desplace el calibre de ángulos a lo largo de la ranura guía hasta hacerlo coincidir con la nueva posición del diente previamente marcado.
- Mida nuevamente la separación entre la hoja de sierra y la ranura guía.

Ambos valores medidos deberán ser idénticos.

#### Reajuste

- Suelte los tornillos de hexágono interior (61) delanteros situados debajo de la mesa de corte y los tornillos de hexágono interior (62) traseros situados debajo de la mesa de corte con la llave macho hexagonal suministrada (10).
- Mueva con cuidado el disco de sierra hasta que se encuentre en paralelo con la ranura guía (30).
- Vuelva a apretar todos los tornillos (61) y (62).

#### Ajuste del indicador de separación de la mesa de corte (ver figura L)

- Posicione el tope paralelo a la derecha del disco de sierra. Deslice el tope paralelo, hasta que la marca en el indicador de la escala (56) muestre cm en la escala inferior 29. Para su fijación, vuelva a presionar hacia abajo la palanca de enclavamiento (41).
- Tire de la palanca de enclavamiento (13) hacia arriba y extraiga la ampliación de la mesa de corte (6) hacia fuera, hasta el tope.

**Control**

El indicador de distancia (57) debe mostrar en la escala superior (1) el mismo valor que la marca en el indicador de la escala (56) de la escala inferior (1).

**Reajuste**

- Extraiga la ampliación de la mesa de corte (6) hacia fuera, hasta el tope.
- Suelte el tornillo (63) con un destornillador para tornillos de cabeza ranurada en cruz y alinee el indicador de distancia (57) a lo largo de la marca de cm 29 de la escala superior (1).

**Ajuste del paralelismo del tope paralelo (ver figura M)**

- Coloque la herramienta eléctrica en la posición de trabajo.
- Retire la cubierta protectora (3).
- Suelte la palanca de enclavamiento (41) del tope paralelo y deslicela hasta que toque el disco de sierra.

**Control**

El tope paralelo (5) debe tocar el disco de sierra en toda su longitud.

**Reajuste**

- Afloje los tornillos de hexágono interior (64) con la llave macho hexagonal suministrada (10).
- Mueva con cuidado el tope paralelo (5) hasta que toque el disco de sierra en toda su longitud.
- Mantenga el tope paralelo en esta posición y presione la palanca de enclavamiento (41) de nuevo hacia abajo.
- Vuelva a apretar los tornillos de hexágono interior (64).

**Ajuste de la fuerza apriete del tope paralelo**

La fuerza de sujeción del tope paralelo (5) puede disminuir con el uso frecuente.

- Apriete el tornillo de ajuste (24) hasta que el tope paralelo pueda volver a fijarse firmemente sobre la mesa de corte.

**Ajuste del indicador de escala del tope paralelo (ver figura M)**

- Coloque la herramienta eléctrica en la posición de trabajo.
- Retire la cubierta protectora (3).
- Empuje el tope paralelo (5) desde el lado derecho hasta que toque el disco de sierra.

**Control**

La marca del indicador de escala (56) debe estar en una línea con la marca de 0 mm de la escala (1).

**Reajuste**

- Desenrosque el tornillo (65) con un destornillador para tornillos de cabeza ranurada en cruz y alinee la marca a lo largo de la marca de 0 mm.

**Ajuste del nivel del inserto de la mesa (ver figura N)****Control**

El lado delantero del inserto de la mesa (25) debe estar a ras o un poco por debajo de la mesa de corte, el lado posterior debe estar a ras o un poco por encima de la mesa de corte.

**Reajuste**

- Con la punta de la llave anular (9), ajuste le nivel correcto de los tornillos de ajuste (66).

**Almacenaje y transporte****Almacenamiento de los elementos del aparato (ver figuras O1–O2)**

La herramienta eléctrica le brinda la posibilidad de guardar en ella de forma segura ciertos componentes del aparato.

- Suelte el tope paralelo auxiliar (43) del tope paralelo (5).
- Inserte todos los elementos del aparato sueltos en sus depósitos de almacenamiento de la carcasa (ver la siguiente table).

**Componente del aparato**

Componente del aparato	Depósito de almacenamiento
Tope paralelo (5)	colgarlo por abajo en los rieles guía y fijar la palanca de enclavamiento (41)
Bastón de empuje (12)	insertar en el depósito (67)
Cubierta protectora (3)	en la ranura del soporte (11) y apretar con la palanca de sujeción (39)
Llave macho hexagonal (10)	insertar en el depósito (68)
Llave anular (9)	insertar en el depósito (69)
Tope angular (2)	insertar en el depósito (7)
Tope paralelo auxiliar (43)	introducir en la ranura detrás en el tope paralelo (5) y apretar firmemente con la ayuda de los tornillos de mariposa

**Transporte de la herramienta eléctrica**

- ▶ **Desmante el acumulador antes de manipular la herramienta eléctrica (p. ej. en el mantenimiento, cambio de útil, etc.) así como al transportarla y guardarla.** En caso contrario podría accidentarse al accionar fortuitamente el interruptor de conexión/desconexión.

Antes de transportar la herramienta eléctrica deberá realizar los pasos siguientes:

- Ponga la herramienta eléctrica en la posición de transporte (ver "Posición de transporte", Página 71).
- Retire todos los accesorios que no puedan montarse de forma fija en la herramienta eléctrica. Procure transportar siempre las hojas de sierra que no precise en un recipiente cerrado.
- Empuje la ampliación de la mesa de corte (6) hasta el fondo y presione la palanca de enclavamiento (13) hacia abajo para fijarla.
- Para la elevación o transporte, utilice las asas de transporte (29).

- ▶ **Para transportar la herramienta eléctrica sujétela exclusivamente por los dispositivos de transporte y jamás por los dispositivos de protección.**

## Mantenimiento y servicio

### Mantenimiento y limpieza

- **Desmante el acumulador antes de manipular la herramienta eléctrica (p. ej. en el mantenimiento, cambio de útil, etc.) así como al transportarla y guardarla.** En caso contrario podría accidentarse al accionar fortuitamente el interruptor de conexión/desconexión.
- **Mantenga limpia la herramienta eléctrica y las rejillas de refrigeración para trabajar con eficacia y seguridad.**

#### Limpieza

Después de cada fase de trabajo, elimine el polvo y las virutas soplando aire comprimido o con un pincel.

#### Medidas para la reducción de ruido

Medidas tomadas por el fabricante:

- Arranque suave
- Suministro con una hoja de sierra especialmente insonorizada

Medidas a tomar por el usuario:

- Realizar el montaje sobre una base de trabajo estable y que vibre poco
- Uso de hojas de sierra especiales que generen poco ruido
- Limpieza periódica de la hoja de sierra y de la herramienta eléctrica

### Servicio técnico y atención al cliente

El servicio técnico le asesorará en las consultas que pueda Ud. tener sobre la reparación y mantenimiento de su producto, así como sobre piezas de recambio. Las representaciones gráficas tridimensionales e informaciones de repuestos se encuentran también bajo: [www.bosch-pt.com](http://www.bosch-pt.com)

El equipo asesor de aplicaciones de Bosch le ayuda gustosamente en caso de preguntas sobre nuestros productos y sus accesorios.

Para cualquier consulta o pedido de piezas de repuesto es imprescindible indicar el nº de artículo de 10 dígitos que figura en la placa de características del producto.

#### México

Robert Bosch S. de R.L. de C.V.  
Calle Robert Bosch No. 405  
C.P. 50071 Zona Industrial, Toluca - Estado de México  
Tel.: (52) 55 528430-62  
Tel.: 800 6271286  
[www.boschherramientas.com.mx](http://www.boschherramientas.com.mx)

**Direcciones de servicio adicionales se encuentran bajo:**

[www.bosch-pt.com/serviceaddresses](http://www.bosch-pt.com/serviceaddresses)

### Transporte

Los acumuladores de iones de litio recomendados están sujetos a los requerimientos de la ley de mercancías peligrosas. Los acumuladores pueden ser transportados por carretera por el usuario sin más imposiciones.

En el envío por terceros (p.ej., transporte aéreo o por agencia de transportes) deberán considerarse las exigencias es-

peciales en cuanto a su embalaje e identificación. En este caso deberá recurrirse a los servicios de un experto en mercancías peligrosas al preparar la pieza para su envío.

Únicamente envíe acumuladores si su carcasa no está dañada. Si los contactos no van protegidos cúbralos con cinta adhesiva y embale el acumulador de manera que éste no se pueda mover dentro del embalaje. Observe también las prescripciones adicionales que pudieran existir al respecto en su país.

### Eliminación



Las herramientas eléctricas, acumuladores, accesorios y embalajes deberán someterse a un proceso de recuperación que respete el medio ambiente.



¡No arroje las herramientas eléctricas, acumuladores o pilas a la basura!

### Acumuladores/pilas:

#### Iones de Litio:

Por favor, observe las indicaciones en el apartado Transporte (ver "Transporte", Página 76).

# NOM

El símbolo es solamente válido, si también se encuentra sobre la placa de características del producto/fabricado.

## Português do Brasil

### Indicações de segurança

#### Avisos de segurança para ferramentas em geral

##### AVISO

Leia todas as indicações de segurança, instruções, ilustrações

e especificações fornecidas com esta ferramenta elétrica. O desrespeito das instruções apresentadas abaixo poderá resultar em choque elétrico, incêndio e/ou ferimentos graves.

**Guarde todas as advertências e instruções para futura referência.**

O termo "ferramenta elétrica" em todos os avisos listados abaixo referem-se a ferramenta alimentada através de seu cordão de alimentação ou a ferramenta operada a bateria (sem cordão).

#### Segurança da área de trabalho

- **Mantenha a área de trabalho limpa e bem iluminada.**

As áreas de trabalho desarrumadas ou escuras podem levar a acidentes.

- ▶ **Não opere as ferramentas elétricas em atmosferas explosivas, ou seja, na presença de líquidos, gases ou pó inflamáveis.** As ferramentas criam faíscas que podem inflamar a poeira ou os vapores.
- ▶ **Mantenha as crianças e outras pessoas afastadas da ferramenta elétrica durante o uso.** As distrações podem resultar na perda do controle.

#### Segurança elétrica

- ▶ **Os plugues da ferramenta devem ser compatíveis com as tomadas. Nunca modifique o plugue. Não use plugues de adaptador com ferramentas aterradas.** Os plugues sem modificações aliados a utilização de tomadas compatíveis reduzem o risco de choque elétrico.
- ▶ **Evite o contato do corpo com superfícies aterradas, como tubos, aquecedores, fogões e geladeiras.** Há um risco elevado de choque elétrico se seu corpo estiver aterrado.
- ▶ **Mantenha as ferramentas elétricas afastadas da chuva ou umidade.** A entrada de água em uma ferramenta elétrica aumenta o risco de choque elétrico.
- ▶ **Não use o cabo para outras finalidades. Jamais use o cabo para transportar, puxar ou desconectar a ferramenta elétrica. Mantenha o cabo afastado do calor, do óleo, de arestas afiadas ou de partes móveis.** Os cabos danificados ou emaranhados aumentam o risco de um choque elétrico.
- ▶ **Ao operar uma ferramenta elétrica ao ar livre, use um cabo de extensão adequado para áreas exteriores.** O uso de um cabo de extensão apropriado para áreas exteriores reduz o risco de choque elétrico.
- ▶ **Se não for possível evitar o funcionamento da ferramenta elétrica em áreas úmidas, utilizar uma alimentação protegida por um dispositivo de corrente diferencial residual (DR).** O uso de um DR reduz o risco de um choque elétrico.

#### Segurança pessoal

- ▶ **Fique atento, olhe o que está fazendo e use o bom senso ao operar uma ferramenta. Não use uma ferramenta elétrica quando estiver cansado ou sob a influência de drogas, álcool ou medicamentos.** Um momento de desatenção enquanto opera uma ferramenta pode resultar em graves ferimentos pessoais.
- ▶ **Use equipamento de proteção individual. Use sempre óculos de proteção.** O uso de equipamento de proteção individual, como máscara de proteção contra poeira, sapatos de segurança antiderrapantes, capacete de segurança ou proteção auricular, usado nas condições adequadas irá reduzir o risco de ferimentos pessoais.
- ▶ **Evite a partida não intencional. Assegure-se de que o interruptor está na posição de desligado antes de conectar o plugue na tomada e/ou bateria, pegar ou carregar a ferramenta.** Carregar as ferramentas com o seu dedo no interruptor ou conectar as ferramentas que apresentam interruptor na posição "ligado", são convites a acidentes.

- ▶ **Remova qualquer ferramenta ou chave de ajuste antes de ligar a ferramenta elétrica.** Uma ferramenta ou chave ainda ligada a uma parte rotativa da ferramenta elétrica pode resultar em ferimentos pessoais.
- ▶ **Evite uma posição anormal. Mantenha uma posição firme e mantenha sempre o equilíbrio.** Desta forma é mais fácil controlar a ferramenta elétrica em situações inesperadas.
- ▶ **Use vestuário apropriado. Não use roupa larga nem joias. Mantenha seus cabelos e roupas afastados de partes móveis.** As roupas largas, joias ou cabelos longos podem ser agarrados por partes móveis.
- ▶ **Se for possível montar dispositivos de aspiração ou de coleta, assegure-se de que são conectados e usados corretamente.** O uso de um dispositivo de coleta de poeira pode reduzir os riscos associados a poeiras.
- ▶ **Não deixe que a familiaridade resultante do uso frequente de ferramentas permita que você se torne complacente e ignore os princípios de segurança da ferramenta.** Uma ação descuidada pode causar ferimentos graves numa fração de segundo.

#### Uso e manuseio cuidadoso da ferramenta elétrica

- ▶ **Não sobrecarregue a ferramenta elétrica. Use a ferramenta elétrica correta para a sua aplicação.** É melhor e mais seguro trabalhar com a ferramenta elétrica apropriada na área de potência para a qual foi projetada.
- ▶ **Não use a ferramenta elétrica se o interruptor estiver defeituoso.** Qualquer ferramenta elétrica que não pode mais ser controlada com o interruptor é perigosa e deve ser reparada.
- ▶ **Desconecte o plugue da alimentação e/ou remova a bateria, se removível, da ferramenta elétrica antes de efetuar ajustes, trocar acessórios ou guardar as ferramentas elétricas.** Tais medidas de segurança preventivas reduzem o risco de se ligar a ferramenta acidentalmente.
- ▶ **Guarde as ferramentas elétricas não utilizadas fora do alcance das crianças e não permita que as pessoas que não estejam familiarizadas com a ferramenta elétrica ou com essas instruções usem a ferramenta elétrica.** As ferramentas elétricas são perigosas nas mãos de usuários não treinados.
- ▶ **Trate as ferramentas elétricas e acessórios com cuidado. Cheque o desalinhamento ou coesão das partes móveis, rachaduras e qualquer outra condição que possa afetar a operação da ferramenta. Se houver danos, repare a ferramenta elétrica antes do uso.** Muitos acidentes são causados por ferramentas elétricas com manutenção inadequada.
- ▶ **Mantenha as ferramentas de corte afiadas e limpas.** As ferramentas de corte cuidadosamente mantidas e com arestas de corte afiadas emperram com menos frequência e são mais fáceis de controlar.
- ▶ **Use a ferramenta elétrica, acessórios, bits etc. de acordo com essas instruções, considerando as condições de trabalho e o trabalho a executar.** O uso

da ferramenta elétrica em tarefas diferentes das previstas poderá resultar em uma situação perigosa.

- ▶ **Mantenha as empunhaduras e as superfícies de agarrar secas, limpas e livres de óleo e graxa.** As empunhaduras e superfícies de agarrar escorregadias não permitem o manuseio e controle seguros da ferramenta em situações inesperadas.

#### Manuseio e uso cuidadoso da ferramenta com bateria

- ▶ **Recarregar somente com o carregador especificado pelo fabricante.** Um carregador que é adequado para um tipo de bateria pode gerar risco de fogo quando utilizado com outro tipo de bateria.
- ▶ **Use as ferramentas somente com as baterias especificamente designadas.** O uso de outro tipo de bateria pode gerar risco de ferimento e fogo.
- ▶ **Quando a bateria não estiver em uso, mantenha-o afastado de objetos metálicos como clips, moedas, chaves, pregos, parafusos ou outros objetos metálicos pequenos que podem fazer a ligação de um terminal com o outro.** O curto-circuito dos terminais da bateria pode gerar queimaduras ou fogo.
- ▶ **Sob condições abusivas, líquidos podem vaziar ser expelidos pela bateria; evite o contato. Se o contato acidental ocorrer, lave com água. Se o líquido entrar em contato com os olhos, consulte um médico.** Líquido expelido pela bateria podem causar irritação ou queimaduras.
- ▶ **Não use uma bateria ou uma ferramenta danificada ou modificada.** As baterias danificadas ou modificadas exibem um comportamento imprevisível podendo causar incêndio, explosão ou risco de ferimentos.
- ▶ **Não exponha a bateria ou a ferramenta ao fogo ou temperaturas excessivas.** A exposição ao fogo ou a temperaturas acima de 130 °C pode causar explosão.
- ▶ **Siga todas as instruções de carregamento e não carregue a bateria ou a ferramenta fora da faixa de temperatura especificada nas instruções.** O carregamento inadequado ou a temperaturas fora da faixa especificada pode danificar a bateria e aumentar o risco de incêndio.

#### Serviço

- ▶ **Somente permita que a sua ferramenta elétrica seja reparada por pessoal qualificado e usando peças de reposição originais.** Só dessa forma é assegurada a segurança da ferramenta elétrica.
- ▶ **Jamais tente reparar baterias danificadas.** O reparo de baterias deve ser somente realizado pelo fabricante ou por prestadores de serviços autorizados.

#### Instruções de segurança para serras de mesa

##### Indicações relacionadas com as proteções

- ▶ **Mantenha as proteções no devido lugar. As proteções devem estar em perfeitas condições de funcionamento e devidamente montadas.** Uma proteção que esteja solta, danificada ou que não esteja

funcionando corretamente deverá ser reparada ou substituída.

- ▶ **Use sempre a proteção do disco de serra e o cutelo divisor em todas as operações de corte completo.** Nas operações de corte completo nas quais o disco de serra corta completamente através da espessura da peça de trabalho, a proteção e outros dispositivos de segurança ajudam a reduzir o risco de ferimentos.
- ▶ **Depois de completar um corte não transversal, tal como cortes de junções, restaure o cutelo divisor para a posição estendida. Com o cutelo divisor na posição estendida, volte a colocar a proteção do disco.** A proteção e o cutelo divisor ajudam a reduzir o risco de ferimentos.
- ▶ **Antes de ligar o interruptor, certifique-se de que o disco de serra não está em contato com a proteção, com o cutelo divisor ou com a peça de trabalho.** O contato inadvertido destes itens com o disco de serra pode provocar uma situação de risco.
- ▶ **Ajuste o cutelo divisor como descrito nesse manual de instruções.** O espaçamento, posicionamento e alinhamento incorretos podem tornar o cutelo divisor ineficaz na redução da probabilidade de contragolpes.
- ▶ **Para que o cutelo divisor funcione, tem de engatar na peça de trabalho.** O cutelo divisor é ineficaz ao cortar peças de trabalho que são demasiado curtas para engatar no cutelo divisor. Nessas condições o cutelo divisor não poderá evitar o contragolpe.
- ▶ **Use o disco de serra adequado para o cutelo divisor.** Para que o cutelo divisor funcione devidamente, o diâmetro do disco de serra tem de se adaptar à cunha abridora apropriada e o corpo do disco de serra tem de ser mais fino do que a espessura do cutelo divisor e a largura de corte do disco de serra tem de ser mais ampla do que a espessura do cutelo divisor.

##### Indicações relacionadas com os procedimentos de corte

- ▶ **⚠ PERIGO: Jamais coloque os dedos ou as mãos nas proximidades ou em linha com o disco de serra.** Um momento de desatenção ou um deslize pode fazer com que sua mão avance na direção do disco de serra e resultar em ferimentos pessoais graves.
- ▶ **Faça avançar a peça de trabalho para o disco de serra somente contra o sentido de rotação.** Se fizer avançar a peça de trabalho no mesmo sentido que o disco de serra está girando acima da mesa, poderá fazer com que a peça de trabalho e sua mão sejam puxados na direção do disco de serra.
- ▶ **Jamais utilize a guia inclinável para fazer avançar a peça de trabalho ao efetuar cortes longitudinais e não utilize a guia paralelo como batente longitudinal ao efetuar cortes transversais com a guia inclinável.** Ao guiar a peça de trabalho simultaneamente com a guia de corte e a guia inclinável, aumenta a probabilidade de o disco de serra bloquear e produzir contragolpes.
- ▶ **Ao efetuar cortes longitudinais, mantenha sempre a peça de trabalho em pleno contato com a guia de corte**

**e aplique sempre a força de avanço da peça de trabalho entre a guia de corte e o disco de serra. Use um bastão para empurrar quando a distância entre a guia de corte e o disco de serra for inferior a 150 mm e use um bloco para empurrar quando a distância for inferior a 50 mm.** Os dispositivos de "auxílio ao trabalho" mantêm suas mãos a uma distância segura do disco de serra.

- ▶ **Use somente o bastão para empurrar fornecido pelo fabricante ou fabricado de acordo com as instruções.** Este bastão para empurrar garante uma distância suficiente da mão relativamente ao disco de serra.
- ▶ **Jamais use um bastão para empurrar danificado ou cortado.** Um bastão para empurrar danificado ou cortado pode quebrar-se fazendo com que sua mão deslize para o disco de serra.
- ▶ **Jamais execute qualquer operação à "mão livre". Use sempre o guia paralelo ou a guia inclinável para posicionar e guiar a peça de trabalho.** À "mão livre" significa usar suas mãos para suportar ou guiar a peça de trabalho, em vez de usar um guia paralelo ou guia inclinável. O corte à mão livre resulta em desalinhamentos, bloqueios e contragolpes.
- ▶ **Jamais coloque suas mãos nas proximidades ou acima de um disco de serra em rotação.** O manuseio da peça de trabalho pode resultar em um contato acidental com o disco de serra em movimento.
- ▶ **Providencie um suporte auxiliar da peça de trabalho nas partes traseira e/ou laterais da mesa da serra para peças de trabalho compridas e/ou largas para mantê-las niveladas.** Uma peça de trabalho comprida e/ou larga tem tendência para rodar na extremidade da mesa, causando perda de controle, bloqueio e contragolpe no disco de serra.
- ▶ **Avance a peça de trabalho usando um ritmo uniforme. Não dobre, torça ou desloque a peça de um lado ao outro. Se ocorrer um encravamento, desligue a ferramenta imediatamente, desconecte a ferramenta da tomada e, de seguida, elimine o encravamento.** O encravamento do disco de serra pela peça de trabalho pode provocar contragolpes ou parar o motor.
- ▶ **Não remova os pedaços do material cortado enquanto a serra estiver funcionando.** O material pode ficar preso entre o guia paralelo ou o interior da proteção e o disco de serra, puxando os dedos para o disco de serra. Antes de remover o material, desligue a serra e aguarde até que o disco de serra pare.
- ▶ **Ao realizar cortes longitudinais em peças de trabalho com uma espessura inferior a 2 mm, use um guia paralelo auxiliar em contato com a superfície superior da mesa.** Uma peça de trabalho fina pode ficar presa sob o guia paralelo e produzir um contragolpe.

#### **Causas do contragolpe e indicações relacionadas**

O contragolpe é uma reação súbita da peça de trabalho devido a um disco de serra encravado ou bloqueado ou a uma linha de corte desalinhada na peça de trabalho relativamente ao disco de serra ou quando uma parte da

peça de trabalho bloqueia entre o disco de serra e o guia paralelo ou outro objeto fixo.

Muito frequentemente, durante o contragolpe, a peça de trabalho é levantada da mesa a partir da parte de trás do disco de serra e é impulsionada na direção do operador. O contragolpe é o resultado do uso errado e/ou condições ou procedimentos incorretos de utilização da serra e pode ser evitado tomando as precauções indicadas ao lado.

- ▶ **Jamais se coloque diretamente em linha com o disco de serra. Posicione sempre seu corpo do mesmo lado do disco de serra no qual se encontra o guia paralelo.** O contragolpe pode impulsionar a peça de trabalho a alta velocidade na direção de qualquer pessoa que se encontre à frente e em linha com o disco de serra.
- ▶ **Jamais coloque as mãos por cima ou atrás do disco de serra para puxar ou apoiar a peça de trabalho.** Poderá ocorrer um contato acidental com o disco de serra ou o contragolpe poderá arrastar seus dedos para o disco de serra.
- ▶ **Jamais segure ou pressione a peça de trabalho que está a ser cortada contra o disco de serra em rotação.** Se pressionar a peça de trabalho que está sendo cortada contra o disco de serra, irá criar uma condição de bloqueio e um contragolpe.
- ▶ **Alinhe o guia paralelo de forma que esta fique paralela ao disco de serra.** Um guia paralelo mal alinhado irá apertar a peça de trabalho contra o disco de serra e criar um contragolpe.
- ▶ **Use um "pente de pressão" para guiar a peça de trabalho contra a mesa e a guia de corte ao realizar cortes parciais tais como cortes de junção.** Um "pente de pressão" ajuda a controlar a peça de trabalho na eventualidade de um contragolpe.
- ▶ **Apoie painéis grandes para reduzir o risco de entalamento e de contragolpe do disco de serra.** Os painéis grandes tendem a abater sob seu próprio peso. O(s) apoio(s) deve(m) ser colocado(s) sob todas as partes do painel suspensas a partir da superfície superior da mesa.
- ▶ **Tenha especial cuidado ao cortar uma peça de trabalho que está torcida, com nó, deformada ou que não possui uma aresta reta para que possa ser guiada com uma guia inclinável ou ao longo da guia de corte.** Uma peça de trabalho deformada, com nó ou torcida será instável e provocará o desalinhamento do corte com o disco de serra e, por conseguinte, o bloqueio e contragolpe.
- ▶ **Jamais corte mais do que uma peça de trabalho, empilhada na vertical ou horizontal.** O disco de serra pode engatar em uma ou mais peças e provocar o contragolpe.
- ▶ **Quando reiniciar a serra com o disco de serra na peça, centre o disco de serra no corte para que os dentes da serra não engatem no material.** Se o disco de serra bloquear, poderá levantar a peça de trabalho e provocar um contragolpe quando a serra for reiniciada.

- ▶ **Mantenha os discos de serra limpos, afiados e com orientação suficiente. Jamais use discos de serra deformados ou discos de serra com dentes rachados ou quebrados.** Os discos de serra afiados e devidamente orientados minimizam o bloqueio, a paragem e o contragolpe.

#### Indicações relacionadas com o procedimento operacional da serra de mesa

- ▶ **Desligue a serra de mesa e desconecte a bateria ao remover o adaptador da mesa, ao substituir o disco de serra ou ao efetuar ajustes no cutelo divisor ou na proteção do disco de serra, e quando a máquina é deixada sem supervisão.** As medidas preventivas evitarão os acidentes.
- ▶ **Jamais deixe a serra de mesa funcionando sem supervisão. Desligue-a e não abandone a ferramenta até ela parar completamente.** Uma serra funcionando sem supervisão representa um risco sem controle.
- ▶ **Coloque a serra de mesa em uma área de trabalho bem iluminada e plana onde possa assegurar uma posição firme e equilibrada. Ela deverá ser instalada em uma área com espaço suficiente que permita manusear facilmente sua peça de trabalho.** As áreas apertadas e escuras e com pisos irregulares e escorregadios podem levar à ocorrência de acidentes.
- ▶ **Limpe e remova frequentemente a serragem debaixo da mesa da serra e/ou o dispositivo de coleta de pó.** A serragem acumulada é combustível e pode autoinflamar-se.
- ▶ **A serra de mesa deve ser fixada.** Uma serra de mesa que não esteja devidamente fixada pode mover-se ou tombar.
- ▶ **Remova as ferramentas, aparas de madeira, etc. da mesa antes de ligar a serra de mesa.** Uma distração ou um bloqueio potencial poderá ser perigoso.
- ▶ **Use sempre discos de serra com furos interiores de tamanho e forma corretos (losango versus redondo).** Os discos de serra que não correspondem com a montagem na serra ficam fora de centro, causando a perda de controle.
- ▶ **Jamais use elementos de montagem do disco de serra danificados ou incorretos, tais como flanges, anilhas, parafusos ou porcas de disco de serra.** Esses elementos de montagem foram especialmente projetados para a sua serra, para uma operação segura e excelente desempenho.
- ▶ **Jamais suba para cima da serra de mesa, não a use como escadinha.** Poderão ocorrer ferimentos graves se a ferramenta tombar ou se ocorrer um contato inadvertido com a ferramenta de corte.
- ▶ **Certifique-se de que o disco de serra é instalado para girar no sentido correto. Não use discos de desbastar, escovas de arame ou discos abrasivos em uma serra de mesa.** A instalação inadequada do disco de serra ou o uso de acessórios não recomendados pode provocar ferimentos graves.

#### Instruções de segurança adicionais

- ▶ **Para a montagem do disco de serra é necessário usar luvas de proteção.** Há risco de lesões.
- ▶ **Não use discos de serra de aço HSS.** Eles podem quebrar facilmente.
- ▶ **Só utilizar discos de serra que correspondam aos dados característicos indicados nesta instrução de serviço e na ferramenta elétrica e que sejam controlados conforme EN 847-1 e respetivamente marcados.**
- ▶ **Nunca utilize a ferramenta elétrica sem o encaixe de mesa. Substitua um encaixe de mesa com defeito.** Sem um encaixe de mesa em perfeitas condições pode sofrer ferimentos no disco de serra.
- ▶ **Mantenha seu local de trabalho limpo.** As misturas de materiais são muito perigosas. Pó de metal leve pode queimar ou explodir.
- ▶ **Selecione o disco de serra apropriado para o material com que deseja trabalhar.**
- ▶ **Só usar lâminas de serra recomendadas pelo fabricante desta ferramenta elétrica e apropriadas para o material com que deseja trabalhar.**
- ▶ **Desloque a peça apenas contra o disco de serra em rotação.** Caso contrário há risco de um contragolpe, se o disco de serra se engancha na peça a ser trabalhada.
- ▶ **Em caso de danos e de utilização incorreta da bateria, podem escapar vapores. A bateria pode incendiar-se ou explodir.** Arejar bem o local de trabalho e consultar um médico se forem constatados quaisquer sintomas. Os vapores podem irritar as vias respiratórias.
- ▶ **Não abra a bateria.** Existe perigo de curto-circuito.
- ▶ **A bateria pode ser danificada com objetos pontiagudos como p. ex. prego ou chave de parafusos ou devido à influência de força externa.** Pode ocorrer um curto-circuito interno e a bateria pode arder, deitar fumo, explodir ou sobreaquecer.
- ▶ **Usar a bateria apenas em produtos do fabricante.** Só assim é que a bateria fica protegida contra sobrecarga perigosa.



**Proteja a bateria do calor, p. ex. radiação solar permanente, fogo, sujeira, água e umidade.** Há risco de explosão ou de um curto-circuito.

#### Símbolos

Os seguintes símbolos podem ser importantes para a utilização da sua ferramenta elétrica. Memorize os símbolos e o respetivo significado. A interpretação correta dos símbolos permite uma utilização melhor e mais segura da ferramenta elétrica.



**Símbolos e seus respectivos significados**

**Não coloque as mãos na área de serra com a ferramenta elétrica em funcionamento.** Há perigo de lesões se houver contato com o disco de serra.



**Usar uma máscara de proteção contra pó.**



**Usar protetor auricular.** O ruído pode causar perda de audição.



**Usar óculos de proteção.**

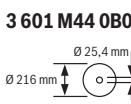
**3 601 M44 000** Verifique as dimensões da lâmina de serra. Não deve haver folga entre o

**3 601 M44 0K0** diâmetro do orifício e o fuso da

**3 601 M44 040** ferramenta. Se for necessário usar peças

reductoras, certifique-se de que as dimensões da peça redutora são adequadas para a espessura da base do disco e para o diâmetro do orifício da lâmina de serra, assim como para o fuso da ferramenta. Se possível, use as peças reductoras fornecidas com o disco de serra.

**3 601 M44 0B0**



Ø 30 mm

Ø 216 mm

Ø 25,4 mm

O diâmetro do disco de serra deve corresponder ao descrito no símbolo.

**3 601 M44 000** a O diâmetro do disco de serra pode ser no máximo de 216 mm.

**3 601 M44 0K0** b Ao substituir o disco de serra, certifique-se de que a largura de corte não é inferior a 1,7 mm e a espessura da base do disco não é superior a 1,5 mm. Caso contrário, há o perigo de a cunha abridora emperrar na peça.

**3 601 M44 040** c A espessura da cunha abridora é de 1,6 mm.

d O sentido de corte dos dentes (sentido da seta no disco de serra) deve corresponder com o sentido da seta na cunha abridora.

**3 601 M44 0B0** a O diâmetro do disco de serra pode ser no máximo de 216 mm.

b Ao substituir o disco de serra, certifique-se de que a largura de corte não é inferior a 2,3 mm e a espessura da base do disco não é superior a 2,1 mm.

**Símbolos e seus respectivos significados**

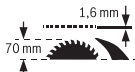
Caso contrário, há o perigo de a cunha abridora emperrar na peça.

c A espessura da cunha abridora é de 2,2 mm.

d O sentido de corte dos dentes (sentido da seta no disco de serra) deve corresponder com o sentido da seta na cunha abridora.

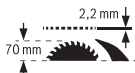
**3 601 M44 000** A espessura da cunha abridora é de 1,6 mm.

**3 601 M44 0K0** A altura máxima possível da peça é de 70 mm.

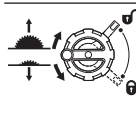


**3 601 M44 0B0** A espessura da cunha abridora é de 2,2 mm.

A altura máxima possível da peça é de 70 mm.



**lado esquerdo:** mostra o sentido de rotação da manivela para rebaixar (**posição de transporte**) e para elevar (**posição de trabalho**) o disco de serra.



**Lado direito:** mostra a posição da alavanca de bloqueio para fixar o disco de serra e, ao ajustar, o ângulo de meia-esquadria vertical (disco de serra giratória).

**CE** Com a marcação CE, o fabricante confirma que a ferramenta elétrica está em conformidade com as diretivas da UE aplicáveis.

**Descrição do produto e especificações**

**Ler todas as indicações de segurança e instruções.** O desrespeito das advertências e das instruções de segurança apresentadas abaixo pode causar choque elétrico, incêndio e/ou graves lesões.

Respeite as ilustrações na parte da frente do manual de instruções.

**Utilização adequada**

A ferramenta elétrica destina-se a realizar cortes longitudinais e transversais, como aparelho standard, em percurso de corte reto em madeira dura e macia, assim como em placas de aglomerado e de fibra. São possíveis ângulos de meia-esquadria horizontais de  $-30^\circ$  a  $+30^\circ$ , assim como ângulos de meia-esquadria verticais de  $0^\circ$  a  $45^\circ$ .

É possível o cortar chapas de alumínio e plástico, desde que sejam usados discos de serra adequados.

### Componentes ilustrados

A numeração dos componentes ilustrados se refere à representação da ferramenta elétrica na página de esquemas.

- |                                                                                                                                                                                                                                                                                                                                                                                                                                                                                                                                                                                                                                                                                                                                                                                                                                                                                                                                                                                                                                                                                                                                                                                                                                                                                                                                                                                                                                                                                                                                                                                                                                                                                                                                  |                                                                                                                                                                                                                                                                                                                                                                                                                                                                                                                                                                                                                                                                                                                                                                                                                                                                                                                                                                                                                                                                                                                                                                                                                                                                                                                                                                                                                                                                                                                                                                                                                                                                                                                                                                                                                                                                                                                                                                                                                                                                                                                                                                                                                                                                                             |
|----------------------------------------------------------------------------------------------------------------------------------------------------------------------------------------------------------------------------------------------------------------------------------------------------------------------------------------------------------------------------------------------------------------------------------------------------------------------------------------------------------------------------------------------------------------------------------------------------------------------------------------------------------------------------------------------------------------------------------------------------------------------------------------------------------------------------------------------------------------------------------------------------------------------------------------------------------------------------------------------------------------------------------------------------------------------------------------------------------------------------------------------------------------------------------------------------------------------------------------------------------------------------------------------------------------------------------------------------------------------------------------------------------------------------------------------------------------------------------------------------------------------------------------------------------------------------------------------------------------------------------------------------------------------------------------------------------------------------------|---------------------------------------------------------------------------------------------------------------------------------------------------------------------------------------------------------------------------------------------------------------------------------------------------------------------------------------------------------------------------------------------------------------------------------------------------------------------------------------------------------------------------------------------------------------------------------------------------------------------------------------------------------------------------------------------------------------------------------------------------------------------------------------------------------------------------------------------------------------------------------------------------------------------------------------------------------------------------------------------------------------------------------------------------------------------------------------------------------------------------------------------------------------------------------------------------------------------------------------------------------------------------------------------------------------------------------------------------------------------------------------------------------------------------------------------------------------------------------------------------------------------------------------------------------------------------------------------------------------------------------------------------------------------------------------------------------------------------------------------------------------------------------------------------------------------------------------------------------------------------------------------------------------------------------------------------------------------------------------------------------------------------------------------------------------------------------------------------------------------------------------------------------------------------------------------------------------------------------------------------------------------------------------------|
| <ul style="list-style-type: none"> <li>(1) Escala para a distância entre o disco de serra e o limitador paralelo</li> <li>(2) Limitador angular</li> <li>(3) Cobertura de proteção</li> <li>(4) Cunha abridora</li> <li>(5) Limitador paralelo</li> <li>(6) Extensão da mesa de serrar</li> <li>(7) Depósito limitador angular</li> <li>(8) Furos para montagem</li> <li>(9) Chave anular (23 mm; 13 mm)</li> <li>(10) Chave sextavada interior (5 mm)</li> <li>(11) Suporte para guardar a tampa de proteção</li> <li>(12) Bastão de empurrar</li> <li>(13) Punho de aperto para a extensão da mesa de serrar</li> <li>(14) Roda manual</li> <li>(15) Manivela para levantar e baixar o disco de serra</li> <li>(16) Interruptor liga/desliga</li> <li>(17) Bateria<sup>a)</sup></li> <li>(18) Limitador para ângulo de meia-esquadria de 45° (vertical)</li> <li>(19) Escala para ângulo de meia-esquadria (vertical)</li> <li>(20) Alavanca de bloqueio para ajustar o ângulo de meia-esquadria vertical</li> <li>(21) Indicador de ângulo (vertical)</li> <li>(22) Limitador para ângulo de meia-esquadria de 0° (vertical)</li> <li>(23) Mesa para serrar</li> <li>(24) Parafuso de ajuste da força tensora do limitador paralelo</li> <li>(25) Complemento de mesa</li> <li>(26) Lâmina de serra</li> <li>(27) Ranhura guia para o limitador paralelo</li> <li>(28) Botão de destravamento da bateria<sup>a)</sup></li> <li>(29) Punho de transporte</li> <li>(30) Ranhura guia para o limitador angular</li> <li>(31) Adaptador para aspiração</li> <li>(32) Ranhura guia em V na mesa de serrar para o limitador paralelo</li> <li>(33) Grelha na base</li> <li>(34) Parafuso de travamento da grelha na base</li> </ul> | <ul style="list-style-type: none"> <li>(35) Marcações alavanca de fixação/fixação</li> <li>(36) Alavanca de aperto da cunha abridora</li> <li>(37) Pinos de posição para cunha abridora</li> <li>(38) Parafuso de travamento do complemento da mesa</li> <li>(39) Alavanca de aperto da tampa de proteção</li> <li>(40) Pino guia da tampa de proteção</li> <li>(41) Alavanca tensora do limitador paralelo</li> <li>(42) Guia em V para o limitador paralelo</li> <li>(43) Limitador paralelo adicional</li> <li>(44) Conjunto de fixação para «limitador paralelo adicional»</li> <li>(45) Trilho guia do limitador angular</li> <li>(46) Cobertura inferior do disco de serra</li> <li>(47) Lingueta da cobertura inferior do disco de serra</li> <li>(48) Orifício para os dedos para levantar o complemento da mesa</li> <li>(49) Porca de aperto</li> <li>(50) Alavanca de bloqueio do eixo</li> <li>(51) Flange de aperto</li> <li>(52) Flange de montagem</li> <li>(53) Eixo da ferramenta</li> <li>(54) Botão de travamento para qualquer ângulo de meia-esquadria (horizontal)</li> <li>(55) Indicador de ângulo no limitador angular</li> <li>(56) Indicação da escala</li> <li>(57) Indicador de distância mesa de serrar</li> <li>(58) Parafuso de fenda em cruz para ajustar o limitador a 0°</li> <li>(59) Parafuso para indicador de ângulo (vertical)</li> <li>(60) Parafuso de fenda em cruz para ajustar o limitador a 45°</li> <li>(61) Parafusos de sextavado interior (5 mm) à frente para ajustar o paralelismo do disco de serra</li> <li>(62) Parafusos de sextavado interior (5 mm) atrás para ajustar o paralelismo do disco de serra</li> <li>(63) Parafuso para indicador de distância da mesa de serrar</li> <li>(64) Parafusos de sextavado interior (5 mm) para ajustar o paralelismo do limitador paralelo</li> <li>(65) Parafuso para indicador de distância do limitador paralelo</li> <li>(66) Parafusos de ajuste para o complemento de mesa</li> <li>(67) Depósito bastão de empurrar</li> <li>(68) Depósito chave sextavada interior</li> <li>(69) Depósito chave anular</li> </ul> <p>a) <b>Acessórios apresentados ou descritos não pertencem ao volume de fornecimento. Todos os acessórios se encontram em nosso catálogo de acessórios.</b></p> |
|----------------------------------------------------------------------------------------------------------------------------------------------------------------------------------------------------------------------------------------------------------------------------------------------------------------------------------------------------------------------------------------------------------------------------------------------------------------------------------------------------------------------------------------------------------------------------------------------------------------------------------------------------------------------------------------------------------------------------------------------------------------------------------------------------------------------------------------------------------------------------------------------------------------------------------------------------------------------------------------------------------------------------------------------------------------------------------------------------------------------------------------------------------------------------------------------------------------------------------------------------------------------------------------------------------------------------------------------------------------------------------------------------------------------------------------------------------------------------------------------------------------------------------------------------------------------------------------------------------------------------------------------------------------------------------------------------------------------------------|---------------------------------------------------------------------------------------------------------------------------------------------------------------------------------------------------------------------------------------------------------------------------------------------------------------------------------------------------------------------------------------------------------------------------------------------------------------------------------------------------------------------------------------------------------------------------------------------------------------------------------------------------------------------------------------------------------------------------------------------------------------------------------------------------------------------------------------------------------------------------------------------------------------------------------------------------------------------------------------------------------------------------------------------------------------------------------------------------------------------------------------------------------------------------------------------------------------------------------------------------------------------------------------------------------------------------------------------------------------------------------------------------------------------------------------------------------------------------------------------------------------------------------------------------------------------------------------------------------------------------------------------------------------------------------------------------------------------------------------------------------------------------------------------------------------------------------------------------------------------------------------------------------------------------------------------------------------------------------------------------------------------------------------------------------------------------------------------------------------------------------------------------------------------------------------------------------------------------------------------------------------------------------------------|

## Dados técnicos

Serra de mesa		GTS 18V-216	GTS 18V-216
Nº do produto		<b>3 601 M44 000</b> <b>3 601 M44 040</b> <b>3 601 M44 0K0</b>	<b>3 601 M44 0B0</b>
Tensão nominal	V=	18	18
Nº de rotações sem carga <sup>A)</sup>	r.p.m.	4500	4500
Limitação de corrente de arranque		●	●
Peso conforme EPTA-Procedure 01:2014 <sup>B)</sup>	kg	20,5-21,6	20,5-21,6
Temperatura ambiente recomendada ao carregar	°C	0...+35	0...+35
Temperatura ambiente admissível durante o funcionamento <sup>C)</sup> e durante o armazenamento	°C	-20...+50	-20...+50
Baterias compatíveis		GBA 18V... ProCORE18V...	GBA 18V... ProCORE18V...
Baterias recomendadas para desempenho total		ProCORE18V... ≥ 5,5 Ah	ProCORE18V... ≥ 5,5 Ah
Carregadores recomendados		GAL 18... GAX 18... GAL 36...	GAL 18... GAX 18... GAL 36...
Medidas (incluindo os elementos removíveis do aparelho)			
Largura x profundidade x altura	mm	658 x 332 x 553	658 x 332 x 553
<b>Medidas de lâminas de serra apropriadas</b>			
Diâmetro da lâmina de serra	mm	216	216
Espessura da lâmina mestre	mm	<1,5	1,5-2,1
Mín. espessura/torção dos dentes	mm	>1,7	>2,3
Diâmetro do orifício	mm	30	25,4

A) Medido a 20-25 °C com bateria **ProCORE18V 12.0Ah**.

B) depende da bateria utilizada

C) potência limitada a temperaturas < 0 °C

Medidas máximas da peça: (ver "Medidas máximas da peça a trabalhar", Página 89)

Os valores podem variar em função do produto e estar sujeitos a condições de aplicação e do meio ambiente. Mais informações em [www.bosch-professional.com/wac](http://www.bosch-professional.com/wac).

## Informação de ruído

Os valores de emissão de ruído foram determinados de acordo com **EN 62841-3-1**.

O nível sonoro avaliado A da ferramenta elétrica é normalmente: nível de pressão sonora **81** dB(A); nível de potência sonora **94** dB(A). Incerteza K = **3** dB.

### Use proteção auditiva!

O valor de emissão de ruído indicado nestas instruções foi medido de acordo com um método de medição padronizado e pode ser usado para comparar ferramentas elétricas entre si. Ele também é adequado para uma avaliação preliminar da emissão de ruído.

O valor de emissão de ruído representa as principais aplicações da ferramenta elétrica. No entanto, se a ferramenta elétrica for usada para outras aplicações, com diferentes acessórios acopláveis ou com manutenção insuficiente, o valor de emissão de ruído pode ser diferente. Isso pode aumentar significativamente a emissão de ruído durante todo o período de trabalho.

Para uma estimativa precisa das emissões de ruído, também devem ser considerados os momentos em que a ferramenta está desligada ou em funcionamento, mas não está realmente em uso. Isso pode reduzir significativamente as emissões de ruído durante todo o período de trabalho.

## Bateria

A **Bosch** vende ferramentas elétricas sem fio também sem bateria. Pode consultar na embalagem se está incluída uma bateria no material a fornecer da sua ferramenta elétrica.

### Carregar a bateria

► **Utilize somente os carregadores indicados nos dados técnicos.** Somente estes carregadores são adequados para a bateria de íons de lítio utilizada na sua ferramenta elétrica.

**Nota:** as baterias de lítio são fornecidas parcialmente carregadas devido aos regulamentos internacionais relativos ao transporte. Para assegurar a capacidade máxima da

bateria, carregue completamente a bateria antes da primeira utilização.

### Colocar a bateria

Empurre a bateria para o respectivo alojamento até que a bateria esteja engatada.



**Bosch** recomenda a utilização de baterias com uma capacidade de pelo menos 3,0 Ah.

### Remover a bateria

Para retirar a bateria, pressione o botão de destravamento e retire a bateria para fora. **Ao fazê-lo, não aplique força.**

A bateria dispõe de 2 níveis de bloqueio para evitar que a bateria caia se for pressionado acidentalmente o botão de destravamento da bateria. Enquanto a bateria estiver na ferramenta elétrica, ele será mantido em posição por meio de uma mola.

### Indicador do nível de carga da bateria

Os LEDs verdes do indicador do nível de carga da bateria mostram o nível de carga da bateria. Por motivos de segurança, a consulta do nível de carga só é possível com a ferramenta elétrica parada.

Pressione a tecla para o indicador do nível de carga ou para exibir o nível de carga. Isto também é possível com a bateria removida.

Se depois de pressionar a tecla para o indicador do nível de carga não acender nenhum LED, a bateria tem defeito ou tem de ser substituída.

#### Tipo de bateria GBA 18V...



LED	Capacidade
Luz permanente 3 × verde	60–100 %
Luz permanente 2 × verde	30–60 %
Luz permanente 1 × verde	5–30 %
Luz intermitente 1 × verde	0–5 %

#### Tipo de bateria ProCORE18V...



LED	Capacidade
Luz permanente 5 × verde	80–100 %
Luz permanente 4 × verde	60–80 %
Luz permanente 3 × verde	40–60 %
Luz permanente 2 × verde	20–40 %
Luz permanente 1 × verde	5–20 %
Luz intermitente 1 × verde	0–5 %

### Indicações para o manuseio ideal da bateria

Proteja a bateria de umidade e água.

Armazene a bateria apenas numa faixa de temperatura de –20 °C até 50 °C. Não deixe a bateria p. ex. dentro de um veículo no verão.

Limpe ocasionalmente as aberturas de ventilação da bateria com um pincel macio, limpo e seco.

Uma autonomia consideravelmente inferior após um carregamento, indica que a bateria está gasta e tem de ser substituída.

Observar a indicação sobre a eliminação de forma ecológica.

### Montagem

► **Retire a bateria da ferramenta elétrica antes de qualquer trabalho na ferramenta elétrica (p. ex. manutenção, troca de acessório, etc.), assim como para transporte e armazenamento da mesma.** Em caso de acionamento inadvertido do interruptor de ligar/desligar existe perigo de ferimentos.

### Volume de fornecimento

Antes de usar a ferramenta elétrica pela primeira vez, verifique se todas as peças listadas abaixo foram fornecidas:

- Serra de mesa com disco de serra montado **(26)** e cunha abridora **(4)**
- Limitador angular **(2)**
- Limitador paralelo **(5)**
- Limitador paralelo adicional **(43)**
- Conjunto de fixação para «limitador paralelo adicional» **(44)** (2 parafusos de fixação, 2 arruelas, 2 porcas de orelhas)
- Cobertura de proteção **(3)**
- Chave sextavada interior **(10)**
- Chave anular **(9)** com ponta de chave de fenda
- Bastão de empurrar **(12)**
- Complemento de mesa **(25)**

**Nota:** Verifique se a ferramenta elétrica apresenta danos.

Antes de usar a ferramenta elétrica, verifique cuidadosamente os dispositivos de proteção e peças quanto ao funcionamento correto e eventuais danos. Verifique se as peças móveis funcionam sem problemas e não ficam presas ou se há peças danificadas. Todas as peças devem estar bem montadas e corresponder a todas as exigências, para garantir o funcionamento ideal.

Os dispositivos de proteção e peças danificadas devem ser reparados ou trocados em uma oficina especializada autorizada.

### Ferramentas necessárias adicionais além das fornecidas:

- Chave de fenda em cruz
- Calibrador de ângulos

## Montagem de peças individuais

- Retire com cuidado todas as peças de suas respectivas embalagens.
  - Remova todo o material de embalagem do aparelho elétrico e dos acessórios fornecidos.
  - Rode os parafusos de travamento (34) com a ponta da chave anular (9) até ao limitador no sentido de rotação "cadeado aberto" e abra a grelha na base (33) (ver figura a).  
Remova o material de embalagem do bloco do motor.
- Diretamente à caixa estão fixos os seguintes elementos do aparelho: bastão de empurrar (12), chave anular (9), chave sextavada interior (10), limitador paralelo (5), limitador angular (2), adaptador de aspiração (31), limitador paralelo adicional (43) com conjunto de fixação (44), tampa de proteção (3).
- Assim que necessitar de um destes elementos do aparelho, retire-o cuidadosamente do seu depósito de armazenamento.

### Posicionar a cunha abridora (ver figuras b1–b2)

**Nota:** se necessário, antes do posicionamento limpe todas as peças a montar.

- Rode a manivela (15) para a direita até ao limitador, para que o disco de serra (26) se encontre na posição mais alta possível acima da mesa de serrar.
- Solte a alavanca de fixação (36) rodando para a direita, até que fique virada para cima.
- Empurre a cunha abridora (4) na direção da alavanca de aperto (36), até que esta possa ser retirada por cima.
- Puxe a cunha abridora totalmente para cima, de modo a que fica posicionada exatamente sobre o centro do disco de serra.
- Deixe os dois pinos (37) engatarem nos furos inferiores da cunha abridora e aperte novamente a alavanca de aperto (36).  
As marcações (35) na fixação e na alavanca de fixação (36) têm de estar alinhadas como indicado.

### Montar o complemento de mesa (ver figura c)

- Coloque o complemento de mesa (25) sobre a cunha abridora (4) no compartimento da ferramenta.
- Rode os parafusos de travamento (38) com a ponta da chave anular (9) até ao limitador no sentido de rotação "cadeado fechado".

A parte da frente do complemento de mesa (25) deve estar à face ou um pouco abaixo da mesa de serrar, a parte de trás deve estar à face ou um pouco acima da mesa de serrar (ver "Ajustar o nível do complemento de mesa (ver figura N)", Página 90).

### Montar a tampa de proteção (ver figuras d1–d2)

**Nota:** monte a tampa de proteção somente se a cunha abridora estiver posicionada na posição mais alta exatamente sobre o centro do disco de serra (ver figura b2). Não monte a tampa de proteção se a cunha abridora estiver

na posição mais baixa (estado de fornecimento ou posição para serrar ranhuras) (ver figura b1).

- Solte a alavanca de aperto (39) e retire a cobertura de proteção (3) do suporte (11).
- Segure com uma mão a proteção do disco de serra (calha de metal superior) da tampa de proteção (3) e com a outra mão desloque a alavanca de aperto (39) para cima.
- Empurre o perno guia (40) para trás para a ranhura da cunha abridora (4).
- Desloque a tampa de proteção (3) para baixo, até que a proteção do disco de serra (calha de metal superior) fique **paralela** à superfície da mesa de serrar (23).
- Pressione a alavanca de aperto (39) para baixo. A alavanca de aperto tem de engatar totalmente e de forma audível e a cobertura de proteção (3) tem de estar montada de forma fixa e segura.

► **Antes de cada utilização, verifique se a cobertura de proteção se move sem problemas. Não utilize a ferramenta elétrica se a tampa de proteção não se mover livremente e não se fechar de imediato.**

### Montar o limitador paralelo (ver figura e)

O limitador paralelo (5) pode ser posicionado à esquerda ou à direita do disco de serra.

- Solte o punho de aperto (41) do limitador paralelo (5). Desta forma é afrouxada a guia em V (42).
- Coloque primeiro o limitador paralelo com a guia em V na ranhura guia (32) da mesa de serrar. Posicione depois o limitador paralelo na ranhura guia (27) dianteira da mesa de serrar.  
Pode agora deslocar o limitador paralelo da forma desejada.
- Para fixar o limitador paralelo, pressione o punho de aperto (41) para baixo.

### Montar o limitador paralelo adicional (ver figura f)

**Para serrar peças estreitas e para serrar em ângulo de meia-esquadria vertical** tem de montar o limitador paralelo adicional (43) no limitador paralelo (5).

- O limitador paralelo adicional pode ser montado como desejado à esquerda ou à direita no limitador paralelo (5). Utilize para a montagem o conjunto de fixação para "limitador paralelo adicional" (44) (2 parafusos de fixação, 2 arruelas, 2 porcas de orelhas).
- Introduza os parafusos de fixação nos orifícios laterais no limitador paralelo (5).
  - As cabeças dos parafusos servem como guia do limitador paralelo adicional.
  - Empurre o limitador paralelo adicional (43) sobre as cabeças dos parafusos de fixação.
  - Coloque as arruelas nos parafusos de fixação e aperte os parafusos com a ajuda das porcas de orelhas.

### Montar o limitador angular (ver figura g)

- Insira o trilho (45) do limitador angular (2) em uma das ranhuras guia (30) prevista para esse fim da mesa de serrar.

### Montagem estacionária ou flexível

- ▶ **Para garantir o manuseio seguro, montar a ferramenta elétrica, antes de usá-la, em uma superfície de trabalho plana e estável (p. ex. bancada de trabalho).**

#### Montagem em uma superfície de trabalho (ver figura h)

- Fixar a ferramenta elétrica na superfície de trabalho de forma apropriada. Para isso servem os furos (8).

#### Montagem em uma mesa de trabalho Bosch (ver figura i)

As mesas de trabalho da Bosch (p. ex. **GTA 560**) oferecem um suporte à ferramenta elétrica em qualquer lugar através dos pés reguláveis em altura.

- ▶ **Leia todas indicações de aviso e instruções fornecidas junto com a mesa de trabalho.** O desrespeito das indicações de aviso e das instruções pode causar choque elétrico, incêndio e/ou ferimentos graves.
- ▶ **Monte corretamente a mesa de trabalho, antes de colocar a ferramenta elétrica.** Uma montagem correta é importante para evitar o risco de colapso da mesa.
  - Monte a ferramenta elétrica na posição de transporte na mesa de trabalho.

### Aspiração de pó/de aparas

Pós de materiais, como por exemplo, tintas que contêm chumbo, alguns tipos de madeira, minerais e metais, podem ser nocivos à saúde. O contato com o pó ou sua inalação pode provocar reações alérgicas e/ou doenças nas vias respiratórias do utilizador ou das pessoas que se encontrem por perto.

Certos pós, como por exemplo pó de carvalho e faia são considerados cancerígenos, especialmente quando juntos com substâncias para o tratamento de madeiras (cromato, preservadores de madeira). Material que contém amianto só deve ser processado por pessoal especializado.

- Se possível, deverá utilizar uma aspiração de pó.
- Assegurar uma boa ventilação do local de trabalho.
- É recomendável usar uma máscara de proteção respiratória com filtro da classe P2.

Observe as diretrizes, vigentes no seu país, relativas aos materiais a serem trabalhados.

- ▶ **Evitar acúmulos de pó no local de trabalho.** Pós podem se inflamar levemente.

O sistema de aspiração de pó/aparapode ser bloqueado por pó, aparas ou fragmentos da peça.

- Desligue a ferramenta elétrica e retire a bateria.
- Espere até o disco de serra parar por completo.
- Determine a causa do bloqueio e elimine-o.

- ▶ **Para evitar o perigo de incêndio ao serrar alumínio, esvazie a cobertura inferior do disco de serra e não use um sistema de aspiração de aparas.**

#### Limpar a cobertura inferior do disco de serra (ver figura j)

Para remover partes partidas da peça e aparas maiores, pode abrir a cobertura inferior do disco de serra (46).

- Desligue a ferramenta elétrica e retire a bateria da ferramenta.
- Espere até o disco de serra parar por completo.
- Vire a ferramenta elétrica para o lado.
- Abra a grelha na base (33) (ver figura a).
- Separe ligeiramente as linguetas (47) da parte inferior da cobertura do disco de serra e abra da cobertura inferior do disco de serra (46).
- Remova fragmentos da peça e as aparas.
- Volte a fechar a cobertura inferior da cobertura do disco de serra (46) até as linguetas (47) engatarem.
- Feche a grelha na base (33).
- Coloque a ferramenta elétrica em posição de trabalho.

#### Aspiração externa (ver figura k)

- Encaixe bem uma mangueira do aspirador adequada no adaptador de aspiração (31).

O aspirador de pó deve ser apropriado para o material a ser trabalhado.

Utilizar um aspirador especial caso o pó seja extremamente nocivo à saúde, cancerígeno ou seco.

### Trocar o disco de serra (ver figuras l1-l4)

- ▶ **Retire a bateria da ferramenta elétrica antes de qualquer trabalho na ferramenta elétrica (p. ex. manutenção, troca de acessório, etc.), assim como para transporte e armazenamento da mesma.** Em caso de acionamento inadvertido do interruptor de ligar/desligar existe perigo de ferimentos.
- ▶ **Para a montagem do disco de serra é necessário usar luvas de proteção.** Há risco de lesões.
- ▶ **Use apenas discos de serra, cuja velocidade máxima permitida é superior à rotação em vazio de sua ferramenta elétrica.**
- ▶ **Só utilizar discos de serra que correspondam aos dados característicos indicados nesta instrução de serviço e na ferramenta elétrica e que sejam controlados conforme EN 847-1 e respetivamente marcados.**
- ▶ **Utilize apenas discos de serra recomendados pelo fabricante desta ferramenta elétrica e apropriados para o material com que deseja trabalhar.** Deste modo evita o superaquecimento das pontas dos dentes de serra e o derretimento do plástico a ser trabalhado.
- ▶ **Não use discos de serra de aço HSS.** Eles podem quebrar facilmente.

#### Desmontar o disco de serra

- Abra a alavanca de aperto (39) e retire a tampa de proteção (3) da ranhura na cunha abridora (4).
- Rode os parafusos de travamento (38) com a ponta da chave anular (9) até ao limitador no sentido de rotação "cadeado aberto" e levante o complemento de mesa (25) retirando-o do compartimento da ferramenta. Para levantar mais facilmente use o orifício para os dedos (48).

- Rode a manivela (15) para a direita até ao limitador, para que o disco de serra (26) se encontre na posição mais alta possível acima da mesa de serrar.
- Rode a porca de aperto (49) com a chave de anel (9) e puxe ao mesmo tempo a alavanca de bloqueio do eixo (50) até a mesma engatar.
- Mantenha a alavanca de bloqueio do eixo puxada e rode a porca de aperto para a esquerda.
- Remova o flange de aperto (51).
- Retire o disco de serra (26).

#### Montar o disco de serra

- Se necessário, antes da montagem limpe todas as peças.
- Coloque o novo disco de serra no flange de admissão (52) do eixo da ferramenta (53).

**Nota:** não use discos de serra demasiado pequenos. A folga radial entre disco de serra e cunha abridora só pode ser no máximo de 3 – 8 mm.

- ▶ **Ao montar, observe se o sentido de corte dos dentes (sentido da seta no disco de serra) coincide com o sentido da seta na cunha abridora!**
- Coloque o flange de aperto (51) e a porca de aperto (49).
- Gire a porca de aperto (49) com a chave sextavada (9) e puxe ao mesmo tempo a alavanca de bloqueio do eixo (50) até a mesma engatar.
- Aperte a porca de aperto para a direita.
- Coloque a placa limitadora para a mesa (25) sobre a cunha separadora (4) no compartimento da ferramenta. Rode os parafusos de travamento (38) com a ponta da chave (9) até ao limitador no sentido de rotação "cadeado fechado".
- Monte novamente a tampa de proteção (3).

## Funcionamento

- ▶ **Retire a bateria da ferramenta elétrica antes de qualquer trabalho na ferramenta elétrica (p. ex. manutenção, troca de acessório, etc.), assim como para transporte e armazenamento da mesma.** Em caso de acionamento inadvertido do interruptor de ligar/desligar existe perigo de ferimentos.

### Posição de transporte e de trabalho do disco de serra

#### Posição de transporte

- Retire a capa de proteção (3), retire o complemento de mesa (25) e posicione a cunha abridora (4) na posição mais baixa. Coloque novamente o complemento de mesa (25).
- Rode a manivela (15) para a esquerda, até os dentes do disco de serra (26) se encontrarem por baixo da mesa de serrar (23).
- Empurre a extensão da mesa de serrar (6) toda para dentro. Pressione o punho de aperto (13) para baixo. Desta forma fica fixa a extensão da mesa de serrar.

#### Posição de trabalho

- Posicione a cunha abridora (4) na posição mais alta exatamente sobre o centro do disco de serra, coloque o complemento de mesa (25) e monte a capa de proteção (3).
- Rode a manivela (15) para a direita, até que os dentes superiores do disco de serra (26) se encontrem aprox. 3–6 mm sobre a peça.

#### Aumentar a mesa de serrar

As peças compridas e pesadas devem ser apoiadas na extremidade livre.

#### Extensão da mesa de serrar (ver figura A)

A extensão da mesa de serrar (6) alarga a mesa de serrar (23) para a direita.

- Puxe o punho de aperto (13) para a extensão da mesa de serrar totalmente para cima.
- Puxe a extensão da mesa de serrar (6) para fora até ao comprimento desejado.
- Pressione o punho de aperto (13) para baixo. Desta forma fica fixa a extensão da mesa de serrar.

#### Ajustar ângulo de meia-esquadria vertical e horizontal

Para garantir cortes precisos, é necessário verificar as definições básicas da ferramenta elétrica após uma utilização intensa e, eventualmente, voltar a ajustar.

#### Ajustar ângulo de meia-esquadria vertical (disco de serra) (ver figura B)

O ângulo de meia-esquadria vertical pode ser ajustado em uma faixa de 0° a 45°.

- Solte a alavanca de bloqueio (20) para a esquerda.

**Nota:** ao soltar a alavanca de bloqueio por completo, o disco de serra inclina-se pela força da gravidade para uma posição, que corresponde aprox. a 30°.

- Puxe ou pressione a roda manual (14) ao longo do bastidor até o indicador de ângulo (21) indicar o ângulo de meia-esquadria vertical desejado.
- Segure a roda manual nesta posição e volte a fixar a alavanca de bloqueio (20).

**Para ajustar de forma rápida e precisa os ângulos verticais standard de 0° e 45°** estão previstos limitadores ((22), (18)) ajustados de fábrica.

#### Ajustar ângulo de meia-esquadria horizontal (limitador angular) (ver figura C)

O ângulo de meia-esquadria horizontal pode ser ajustado em uma faixa de 30° (lado esquerdo) a 30° (lado direito).

- Solte o manípulo de fixação (54), se este estiver apertado.
- Rode o limitador angular até o indicador de ângulo (55) indicar o ângulo de meia-esquadria desejado.
- Aperte novamente o manípulo de fixação (54).

### Ajustar o limitador paralelo

O limitador paralelo (5) pode ser posicionado à esquerda (escala preta) ou à direita (escala prateada) do disco de serra. A marcação na indicação da escala (56) mostra a distância ajustada do limitador paralelo em relação ao disco de serra na escala (1).

Posicione o limitador paralelo do lado desejado do disco de serra (ver "Montar o limitador paralelo (ver figura e)", Página 85).

#### Ajustar o limitador paralelo com a mesa de serrar não puxada para fora

- Solte o punho de aperto (41) do limitador paralelo (5). Desloque o limitador paralelo até a marcação na indicação da escala (56) indicar a distância desejada em relação ao disco de serra. Com a mesa de serrar não puxada para fora é válida a inscrição inferior da escala prateada (1).
- Para fixar, pressione novamente o punho de aperto (41) para baixo.

#### Ajustar o limitador paralelo com a mesa de serrar puxada para fora (ver figura D)

- Posicione o limitador paralelo à direita do disco de serra. Desloque o limitador paralelo até a marcação na indicação da escala (56) na escala inferior indicar 29 cm. Para fixar, pressione novamente o punho de aperto (41) para baixo.
- Puxe o punho de aperto (13) para a extensão da mesa de serrar totalmente para cima.
- Puxe a extensão da mesa de serrar (6) para fora, até o indicador de distância (57) indicar a distância desejada em relação ao disco de serra na escala superior.
- Pressione o punho de aperto (13) para baixo. Desta forma fica fixa a extensão da mesa de serrar.

### Ajustar o limitador paralelo adicional (ver figura E)

**Para serrar peças estreitas e para serrar em ângulo de meia-esquadria vertical** tem de montar o limitador paralelo adicional (43) no limitador paralelo (5).

O limitador paralelo adicional pode ser montado como desejado à esquerda ou à direita no limitador paralelo (5).

Ao serrar, as peças a serem trabalhadas podem ficar presas entre o limitador paralelo e o disco de serra, ser puxadas ou ejetadas pelo disco de serra.

Por isso, ajuste o limitador paralelo adicional de forma a que extremidade guia termine na área entre o primeiro dente da frente e a aresta dianteira da cunha abridora.

- Para tal, solte todas as porcas de orelhas do conjunto de fixação (44) e desloque o limitador paralelo adicional até só servirem para efeitos de fixação os dois parafusos da frente.
- Reaperte as porcas de orelhas.

### Ajustar a cunha abridora

A cunha abridora (4) evita que o disco de serra (26) fique preso na fenda de corte. Caso contrário há risco de um contragolpe, se o disco de serra se enganchar na peça a ser trabalhada.

Certifique-se de que a cunha abridora está sempre bem ajustada:

- A folga radial entre disco de serra e cunha abridora só pode ser no máximo de 3–8 mm.
- A espessura da cunha abridora tem de ser inferior à largura de corte e superior à espessura da base do disco.
- A cunha abridora tem de estar sempre alinhada com o disco de serra.
- Para cortes normais, a cunha abridora tem de estar sempre na posição mais alta possível.

#### Ajustar a altura da cunha abridora (ver figura F)

Para serrar ranhuras tem de ajustar a altura da cunha abridora.

- ▶ **Use a ferramenta elétrica para ranhurar ou dobrar apenas com um dispositivo de proteção adequado (p. ex., tampa de proteção tipo túnel, pente de pressão).**
- Abra a alavanca de aperto (39) e retire a cobertura de proteção (3) da ranhura na cunha abridora (4). Para proteger a tampa de proteção de danos, deposite-a no suporte previsto (11) na caixa (ver também figura 02).
- Rode a manivela (15) para a direita até ao limitador, para que o disco de serra (26) se encontre na posição mais alta possível acima da mesa de serrar.
- Solte a alavanca de fixação (36) rodando para a direita, até que fique virada para cima.
- Puxe a cunha abridora dos pinos (37) (puxar a alavanca de aperto (36) ligeiramente para fora) e empurre a cunha abridora (4) para baixo até ao limitador.
- Deixe os dois pinos (37) engatarem nos furos superiores da cunha abridora e aperte novamente a alavanca de aperto (36). As marcações (35) na fixação e na alavanca de fixação (36) têm de estar alinhadas como indicado.

### Colocando em funcionamento

#### Ligar (ver figura G1)

- Para a colocação em funcionamento pressione de ambos os lados o interruptor de ligar/desligar (16) e puxe-o para cima.

#### Desligar (ver figura G2)

- Pressione o interruptor de ligar/desligar (16) totalmente para baixo.

#### Proteção contra operação não autorizada (ver figura G3)

Para proteger contra uma operação não autorizada, pode bloquear o interruptor de ligar/desligar (16) com a ajuda de um cadeado.

- Insira um cadeado com um arco comprido através do orifício no interruptor de ligar/desligar (16) e feche-o.



## Indicações de trabalho

### Indicações gerais para serrar

- ▶ **Em todos os cortes tem de garantir primeiro que o disco de serra em momento algum pode tocar nos limitadores ou em outras partes do aparelho.**
- ▶ **Use a ferramenta elétrica para ranhurar ou dobrar apenas com um dispositivo de proteção adequado (p. ex., tampa de proteção tipo túnel, pente de pressão).**
- ▶ **Não use a ferramenta elétrica para abrir ranhuras (ranhura terminada na peça).**

Proteja o disco de serra contra impactos e choques. Não exponha o disco de serra a pressão lateral.

A cunha abridora deve estar alinhada com o disco de serra, para evitar que a peça a ser trabalhada fique presa.

Não processe peças deformadas. A peça deve sempre ter uma aresta reta para contato no limitador paralelo.

Guarde sempre o bastão de empurrar na ferramenta elétrica.

### Posição do operador/usuário (ver figura H)

- ▶ **Jamais se coloque diretamente em linha com o disco de serra. Posicione sempre seu corpo do mesmo lado do disco de serra no qual se encontra o guia paralelo.** O contragolpe pode impulsionar a peça de trabalho a alta velocidade na direção de qualquer pessoa que se encontre à frente e em linha com o disco de serra.
- Mantenha as mãos, os dedos e os braços afastados do disco de serra em rotação.

Respeite as seguintes indicações:

- Segure bem a peça a ser trabalhada com ambas as mãos e pressione a peça firmemente sobre a mesa de serrar.
- Para peças estreitas e para serrar ângulos de meia-esquadria verticais use sempre o bastão de empurrar (12) fornecido junto e o limitador paralelo adicional (43).

### Medidas máximas da peça a trabalhar

Ângulo de meia-esquadria vertical	altura máx. da peça [mm]
0°	70
45°	50

## Serrar

### Serrar cortes retos

- Ajuste o limitador paralelo (5) para a largura de corte desejada.
- Coloque a peça na mesa de serra à frente da capa de proteção (3).
- Levante ou desça o disco de serra através da manivela (15) até que os dentes superiores do disco de serra (26) se encontrem a aprox. 3 – 6 mm sobre a peça.
- Ligue a ferramenta elétrica.
- Serre a peça com um avanço uniforme.  
Se aplicar demasiada pressão, as pontas do disco de

serra podem sobreaquecer e a peça pode ficar danificada.

- Desligue a ferramenta elétrica e espere que o disco de serra pare por completo.

### Serrar ângulos de meia-esquadria verticais

- Ajuste o ângulo de meia-esquadria vertical desejado do disco de serra.  
Com o disco de serra inclinado para a esquerda, o limitador paralelo (5) tem de estar à direita do disco de serra.
- Siga os passos de trabalho em conformidade: (ver "Serrar cortes retos", Página 89)

### Serrar ângulos de meia-esquadria horizontais (ver figura I)

- Ajuste o ângulo de meia-esquadria horizontal desejado no limitador angular (2).
- Encoste a peça a ser trabalhada ao limitador angular (2).
- Levante ou desça o disco de serra através da manivela (15) até que os dentes de serra superiores se encontrem aprox. 5 mm acima da superfície da peça a ser trabalhada.
- Ligue a ferramenta elétrica.
- Pressione a peça a ser trabalhada com uma mão contra o limitador angular e empurre-a com a outra mão no manípulo de fixação (54), lentamente para a ranhura guia (30) para a frente.
- Desligue a ferramenta elétrica e espere que o disco de serra pare por completo.

## Verificar e ajustar as definições básicas

Para garantir cortes precisos, é necessário verificar as definições básicas da ferramenta elétrica após uma utilização intensa e, eventualmente, voltar a ajustar, o que exige experiência e uma ferramenta especial correspondente.

As assistências técnicas autorizadas Bosch efetuam esse trabalho de forma rápida e confiável.

### Ajustar os limitadores para o ângulo padrão de meia-esquadria vertical de 0°/45°

- Coloque a ferramenta elétrica em posição de trabalho.
- Ajuste um ângulo de meia-esquadria vertical do disco de serra de 0°.
- Retire a cobertura de proteção (3).

### Verificar (ver figura J1)

- Remova o complemento de mesa (25) (ver "Montar o complemento de mesa (ver figura c)", Página 85).
- Ajuste o calibrador de ângulos para 90° e coloque-o sobre a mesa de serrar (23).

O braço do calibrador de ângulos deve estar à face com o disco de serra (26) em todo o comprimento.

### Ajustar (ver figura J2)

- Solte o parafuso (58). Assim é possível deslocar o limitador de 0° (22).
- Solte a alavanca de bloqueio (20).

- Empurre a roda manual **(14)** contra o limitador de 0° até o braço do calibrador de ângulos estar à face com o disco de serra em todo o comprimento.
- Segure a roda manual nesta posição e volte a fixar a alavanca de bloqueio **(20)**.
- Aperte novamente o parafuso **(58)**.
- Monte novamente o complemento de mesa **(25)** (ver "Montar o complemento de mesa (ver figura c)", Página 85).

Se o indicador de ângulo **(21)** após o ajuste não estiver alinhado com a marca de 0° na escala **(19)**, solte o parafuso **(59)** com uma chave de fenda em cruz convencional e alinhe o indicador de ângulo ao longo da marca de 0°.

Repita os passos de trabalho mencionados em cima relativos ao ângulo de meia-esquadria vertical de 45° (soltar o parafuso **(60)**; deslocamento do limitador de 45° **(18)**). O indicador de ângulo **(21)** não poder voltar a ser deslocado.

#### **Paralelismo do disco de serra em relação às ranhuras guia do limitador angular (ver figura K)**

- Coloque a ferramenta elétrica em posição de trabalho.
- Retire a tampa de proteção **(3)**.

#### **Controlar**

- Marque com um lápis o primeiro dente de serra esquerdo, que está visível atrás por cima do complemento de mesa.
- Ajuste o calibrador de ângulos para 90° e coloque-o na aresta da ranhura guia **(30)**.
- Desloque o braço do calibrador de ângulos, até ele tocar no dente de serra marcado, e leia a distância entre disco de serra e ranhura guia.
- Rode o disco de serra até que o dente marcado se encontre à frente por cima do complemento de mesa.
- Desloque o calibrador de ângulos ao longo da ranhura guia até ao dente de serra marcado.
- Meça novamente a distância entre o disco de serra e a ranhura guia.

As duas distâncias medidas têm de ser iguais.

#### **Ajustar**

- Solte os parafusos de sextavado interior **(61)** à frente por baixo da mesa de serrar e os parafusos de sextavado interior **(62)** atrás por baixo da mesa de serrar com a chave sextavada interior **(10)** fornecida junto.
- Movimente cuidadosamente o disco de serra, até que este fique paralelo com a ranhura guia **(30)**.
- Volte a apertar todos os parafusos **(61)** e **(62)**.

#### **Ajustar o indicador de distância da mesa de serrar (ver figura L)**

- Posicione o limitador paralelo à direita do disco de serra. Desloque o limitador paralelo até a marcação na indicação da escala **(56)** na escala inferior indicar **29** cm. Para fixar, pressione novamente o punho de aperto **(41)** para baixo.

- Puxe o punho de aperto **(13)** totalmente para cima e puxe a extensão da mesa de serrar **(6)** para fora até ao batente.

#### **Controlar**

O indicador de distância **(57)** tem de indicar na escala superior **(1)** o valor idêntico à marcação na indicação da escala **(56)** da escala inferior **(1)**.

#### **Ajustar**

- Puxe a extensão da mesa de serrar **(6)** para fora até ao limitador.
- Solte o parafuso **(63)** com uma chave de fenda em cruz e alinhe o indicador de distância **(57)** ao longo da marca **29** cm da escala superior **(1)**.

#### **Ajustar o paralelismo do limitador paralelo (ver figura M)**

- Coloque a ferramenta elétrica em posição de trabalho.
- Retire a tampa de proteção **(3)**.
- Solte o punho de aperto **(41)** do limitador paralelo e desloque-o até o mesmo tocar no disco de serra.

#### **Controlar**

O limitador paralelo **(5)** tem de tocar no disco de serra em todo o comprimento.

#### **Ajustar**

- Solte os parafusos de sextavado interior **(64)** com a chave sextavada interior **(10)** fornecida junto.
- Movimente cuidadosamente o limitador paralelo **(5)**, até ele tocar no disco de serra em todo o comprimento.
- Mantenha o limitador paralelo nesta posição e pressione o punho de aperto **(41)** novamente para baixo.
- Volte a apertar os parafusos de sextavado interior **(64)**.

#### **Ajustar a força tensora do limitador paralelo**

A força tensora do limitador paralelo **(5)** pode afrouxar devido a uso frequente.

- Aperte o parafuso de ajuste **(24)** até ser possível fixar bem novamente o limitador paralelo na mesa de serrar.

#### **Ajustar a indicação da escala do limitador paralelo (ver figura M)**

- Coloque a ferramenta elétrica em posição de trabalho.
- Retire a tampa de proteção **(3)**.
- Desloque o limitador paralelo **(5)** a partir da direita até ele tocar no disco de serra.

#### **Controlar**

A marcação da indicação da escala **(56)** tem de estar alinhada com a marca de 0 mm da escala **(1)**.

#### **Ajustar**

- Solte o parafuso **(65)** com uma chave de fenda em cruz e alinhe a marcação ao longo da marca de 0 mm.

#### **Ajustar o nível do complemento de mesa (ver figura N)**

#### **Controlar**

A parte da frente do complemento de mesa **(25)** tem de estar à face ou um pouco abaixo da mesa de serrar, a parte de trás tem de estar à face ou um pouco acima da mesa de serrar.

### Ajustar

- Com a ponta da chave anular (9) ajuste o nível correto dos parafusos de ajuste (66).

### Armazenamento e transporte

#### Guardar os elementos do aparelho (ver figuras O1–O2)

Para efeitos de armazenamento, a ferramenta elétrica oferece-lhe a possibilidade de fixar de forma segura determinados elementos do aparelho.

- Solte o limitador paralelo adicional (43) do limitador paralelo (5).
- Insira todas as peças soltas do aparelho nos depósitos de armazenamento na caixa (ver tabela seguinte).

Elemento do aparelho	Depósito de armazenamento
Limitador paralelo (5)	Virar, pendurar a partir de baixo nas calhas guia e fixar punho de aperto (41)
Bastão de empurrar (12)	Encaixar no depósito (67)
Cobertura de proteção (3)	Pendurar no entalhe do suporte (11) e apertar com a alavanca de aperto (39)
Chave sextavada interior (10)	Encaixar no depósito (68)
Chave anular (9)	Encaixar no depósito (69)
Limitador angular (2)	Encaixar no depósito (7)
Limitador paralelo adicional (43)	Inserir na ranhura traseira no limitador paralelo (5) e apertar com a ajuda dos parafusos de orelhas

### Transportar a ferramenta elétrica

- ▶ **Retire a bateria da ferramenta elétrica antes de qualquer trabalho na ferramenta elétrica (p. ex. manutenção, troca de acessório, etc.), assim como para transporte e armazenamento da mesma.** Em caso de acionamento inadvertido do interruptor de ligar/desligar existe perigo de ferimentos.

Antes de transportar a ferramenta elétrica tem de executar os seguintes passos:

- Coloque a ferramenta elétrica em posição de transporte (ver "Posição de transporte", Página 87).
- Remova todos os acessórios que não podem ser montados firmemente na ferramenta elétrica. Colocar os discos de serra não usados, se possível, em um recipiente fechado.
- Empurre a extensão da mesa de serrar (6) totalmente para dentro e pressione o punho de aperto (13) para baixo para fixar.
- Para levantar ou transportar, utilize as pegas de transporte (29).

- ▶ **Para transportar a ferramenta elétrica use apenas os dispositivos de transporte e nunca os dispositivos de proteção.**

## Manutenção e serviço

### Manutenção e limpeza

- ▶ **Retire a bateria da ferramenta elétrica antes de qualquer trabalho na ferramenta elétrica (p. ex. manutenção, troca de acessório, etc.), assim como para transporte e armazenamento da mesma.** Em caso de acionamento inadvertido do interruptor de ligar/desligar existe perigo de ferimentos.
- ▶ **Manter a ferramenta elétrica e as aberturas de ventilação sempre limpas, para trabalhar bem e de forma segura.**

### Limpeza

Remova o pó e as aparas após cada ciclo de trabalho soprando com ar comprimido ou usando um pincel.

### Medidas para reduzir o ruído

Medidas pelo fabricante:

- Partida suave
- Fornecimento com um disco de serra especialmente desenvolvido para a redução do ruído

Medidas pelo utilizador:

- Montagem sem vibrações em uma superfície de trabalho estável
- Utilização de discos de serra com funções redutoras de ruído
- Limpeza regular do disco de serra e da ferramenta elétrica

### Serviço pós-venda e assistência ao cliente

O serviço pós-venda responde às suas perguntas a respeito de serviços de reparação e de manutenção do seu produto, assim como das peças sobressalentes. Desenhos explodidos e informações sobre peças sobressalentes também em:

**www.bosch-pt.com**

A nossa equipe de consultores Bosch esclarece com prazer todas as suas dúvidas a respeito dos nossos produtos e acessórios.

Indique em todas as questões ou encomendas de peças sobressalentes impreterivelmente a referência de 10 dígitos de acordo com a placa de características do produto.

### Brasil

Robert Bosch Ltda. – Divisão de Ferramentas Elétricas  
Rodovia Anhanguera, Km 98 - Parque Via Norte  
13065-900, CP 1195  
Campinas, São Paulo  
Tel.: 0800 7045 446  
www.bosch.com.br/contato

### Encontre outros endereços da assistência técnica em:

www.bosch-pt.com/serviceaddresses

### Transporte

As baterias de lítio recomendadas estão em conformidade com os requisitos da regulamentação do transporte de mercadorias perigosas. Os acumuladores podem ser

transportados pelo utilizador, nas vias públicas, sem mais nenhuma obrigação.

No caso de envio através de terceiros (p. ex.: transporte aéreo ou transitário) é necessário respeitar os requisitos especiais para a embalagem e identificação. Neste caso, para a preparação da embalagem é necessário consultar um perito no transporte de mercadorias perigosas.

Só enviar baterias se a carcaça não estiver danificada. Colar contatos abertos e embalar o bateria de modo que não possa se movimentar dentro da embalagem. Por favor observe também eventuais diretrizes nacionais suplementares.

### Descarte



Ferramentas elétricas, baterias, acessórios e embalagens devem ser enviados a uma reciclagem ecológica de matérias primas.



Não descarte as ferramentas elétricas e as baterias/pilhas no lixo doméstico!

### Baterias/pilhas:

#### Lítio:

Por favor, observe as instruções na seção de transporte (ver "Transporte", Página 91).

## 中文

### 安全规章

#### 电动工具通用安全警告

**警告！** 阅读所有警告和所有说明！不遵照以下警告和说明会导致电击、着火和/或严重伤害。

保存所有警告和说明书以备查阅。

在所有下列的警告中术语“电动工具”指市电驱动（有线）电动工具或电池驱动（无线）电动工具。

#### 工作场地的安全

- ▶ 保持工作场地清洁和明亮。混乱和黑暗的场地会引发事故。
- ▶ 不要在易爆环境，如有易燃液体、气体或粉尘的环境下操作电动工具。电动工具产生的火花会点燃粉尘或气体。
- ▶ 让儿童和旁观者离开后操作电动工具。注意力不集中会使操作者失去对工具的控制。

#### 电气安全

- ▶ 电动工具插头必须与插座相配。绝不能以任何方式改装插头。需接地的电动工具不能使用任何转换插头。未经改装的插头和相配的插座将减少电击危险。

- ▶ 避免人体接触接地表面，如管道、散热片和冰箱。如果你身体接地会增加电击危险。
- ▶ 不得将电动工具暴露在雨中或潮湿环境中。水进入电动工具将增加电击危险。
- ▶ 不得滥用电线。绝不能用电线搬运、拉动电动工具或拔出其插头。使电线远离热源、油、锐边或运动部件。受损或缠绕的软线会增加电击危险。
- ▶ 当在户外使用电动工具时，使用适合户外使用的外接软线。适合户外使用的软线将减少电击危险。
- ▶ 如果在潮湿环境下操作电动工具是不可避免的，应使用剩余电流动作保护器（RCD）。使用RCD可减小电击危险。

#### 人身安全

- ▶ 保持警觉，当操作电动工具时关注所从事的操作并保持清醒。当你感到疲倦，或在有药物、酒精或治疗反应时，不要操作电动工具。在操作电动工具时瞬间的疏忽会导致严重人身伤害。
- ▶ 使用个人防护装置。始终佩戴护目镜。安全装置，诸如适当条件下使用防全面具、防滑安全鞋、安全帽、听力防护等装置能减少人身伤害。
- ▶ 防止意外启动。确保开关在连接电源和/或电池盒、拿起或搬运工具时处于关断位置。手指放在已接通电源的开关上或开关处于接通时插入插头可能会导致危险。
- ▶ 在电动工具接通之前，拿掉所有调节钥匙或扳手。遗留在电动工具旋转零件上的扳手或钥匙会导致人身伤害。
- ▶ 手不要伸展得太长。时刻注意立足点和身体平衡。这样在意外情况下能很好地控制电动工具。
- ▶ 着装适当。不要穿宽松衣服或佩戴饰品。让衣服、手套和头发远离运动部件。宽松衣服、配饰或长发可能会卷入运动部件中。
- ▶ 如果提供了与排屑、集尘设备连接用的装置，要确保他们连接完好且使用得当。使用这些装置可减少尘屑引起的危险。
- ▶ 即使由于经常使用电动工具而对此非常熟悉，也不要就认为可以高枕无忧而忽略工具的安全规定。粗心大意的行为可能在瞬间就造成严重的伤害。

#### 电动工具使用和注意事项

- ▶ 不要滥用电动工具，根据用途使用适当的电动工具。选用适当设计的电动工具会使你工作更有效、更安全。
- ▶ 如果开关不能接通或关断工具电源，则不能使用该电动工具。不能用开关来控制的电动工具是危险的且必须进行修理。
- ▶ 在进行任何调节、更换附件或贮存电动工具之前，必须从电源上拔掉插头和/或使电池盒与工具脱开。这种防护性措施将减少工具意外起动的危险。
- ▶ 将闲置不用的电动工具贮存在儿童所及范围之外，并且不要让不熟悉电动工具或对这些说明不了解的人操作电动工具。电动工具在未经培训的用户手中是危险的。

- ▶ **保养电动工具。检查运动件是否调整到位或卡住，检查零件破损情况和影响电动工具运行的其他状况。如有损坏，电动工具应在使用前修理好。许多事故由维护不良的电动工具引发。**
- ▶ **保持切削刀具锋利和清洁。**保养良好的有锋利切削刃的刀具不易卡住而且容易控制。
- ▶ **按照使用说明书，考虑作业条件和进行的作业来使用电动工具、附件和工具的头等。**将电动工具用于那些与其用途不符的操作可能会导致危险。
- ▶ **保持手柄和握持表面干燥、清洁、无油污。**在突发情况下，滑溜的手柄和握持表面无法确保安全地握持和控制工具。

#### 电池式工具使用和注意事项

- ▶ **只用制造商规定的充电器充电。**将适用于某种电池盒的充电器用到其他电池盒时会发生着火危险。
- ▶ **只有在配有专用电池盒的情况下才使用电动工具。**使用其他电池盒会发生损坏和着火危险。
- ▶ **当电池盒不用时，将它远离其他金属物体，例如回形针、硬币、钥匙、钉子、螺钉或其他小金属物体，以防一端与另一端连接。**电池端部短路会引起燃烧或火灾。
- ▶ **在滥用条件下，液体会从电池中溅出；避免接触。**如果意外碰到了，用水冲洗。如果液体碰到了眼睛，还要寻求医疗帮助。从电池中溅出的液体会发生腐蚀或燃烧。
- ▶ **不要使用损坏的或更改过的电池组或工具。**损坏或更改过的电池可能导致不可预料的情况发生，有着火、爆炸或受伤的风险。
- ▶ **不要将电池组或工具暴露于火焰或高温情况下。**火焰或超过130 °C的温度可能会引起爆炸。
- ▶ **遵守所有充电说明，给电池组或工具充电时不要超出说明中规定的温度范围。**错误充电或温度超出规定的范围可能会损坏电池并提高着火的风险。

#### 维修

- ▶ **将你的电动工具送交专业维修人员，使用同样的备件进行修理。**这样将确保所维修的电动工具的安全性。
- ▶ **决不能维修损坏的电池包。**电池包仅能由生产者或其授权的维修服务商进行维修。

#### 台锯安全说明

##### 防护警告：

- ▶ **护罩应保持在位置上。护罩应处于工作状态且恰当安装。**应修理或更换松动、损坏、或功能不正常的护罩。
- ▶ **进行穿通锯割操作时总是使用锯片护罩、分料刀。**进行穿通锯割操作时锯片完全通过工件的厚度，护罩或其他安全装置有助于减少人身伤害。
- ▶ **完成需要拆除护罩、分料刀的操作后(如开槽口)，应立即重新安装防护装置。**护罩、分料刀有助于减少人身伤害。

- ▶ **闭合开关前确认锯片未接触护罩、分料刀或工件。**这些部件意外触及锯片可能导致危险状态。
- ▶ **按照本说明书调节分料刀。**不正确的间距、定位或对齐会使分料刀不能有效减少回弹。
- ▶ **要使分料刀起作用，必须使其接触工件。**当工件太短无法接触分料刀时，分料刀是无效的。这些状态下，分料刀不能防止回弹。
- ▶ **使用匹配分料刀的锯片。**要使分料刀正常工作，锯片直径必须匹配适当的分料刀且锯片本体必须比分料刀薄、锯片的锯割宽度必须比分料刀的厚度宽。

##### 锯割过程警告：

- ▶ **⚠危险：永远不要把你的手指或手放在锯片附近或与锯片在一条线上。**不经意或滑倒瞬间你的手可能朝向锯片导致严重人身伤害。
- ▶ **工件的进给方向应与锯片的旋转方向相反。**工件朝着工作台上方向锯片旋转的同方向进给会导致工件和你的手被拉进锯片中。
- ▶ **进行直锯时不要使用斜规进给工件，且在使用斜规进行横锯时不要将平行靠栅用作长度挡块。**同时使用平行靠栅和斜规引导工件增加锯片卡住或回弹的可能性。
- ▶ **直锯时，推力总是施加在靠栅和锯片之间。**当靠栅和锯片之间的距离小于150mm时使用推杆，且当该距离小于50mm时使用推块。“工作助力”装置有助于保持你的手与锯片之间的安全距离。
- ▶ **仅使用制造商提供的或根据说明书制作的推杆。**推杆可保持手与锯片之间有足够的距离。
- ▶ **不要使用损坏的或有切口的推杆。**损坏的推杆可能断裂从而使你的手滑进锯片。
- ▶ **不要徒手进行锯割。总是使用平行靠栅或斜规来定位和引导工件。**“徒手”是指用手代替平行靠栅或斜规支承或引导工件。徒手锯割导致不能对齐、卡住和回弹。
- ▶ **不要靠近旋转锯片的周围或上方。**接近工件可能导致意外触及运动锯片。
- ▶ **对于较长和/或较宽的工件，在工作台后面和/或侧面提供辅助工件支架。**长且/或宽的工件可能在工作台边缘翻转，导致失控、锯片卡住和回弹。
- ▶ **匀速进给工件。不要弯曲或扭曲工件。**如果发生堵转立即关闭工具、拔下插头，然后清除堵塞。锯片被工件堵住会导致回弹或电机堵转。
- ▶ **台锯运行中不要清除锯下的材料。**锯下的材料可能被卷入靠栅或锯片护罩内与锯片之间从而将你的手指拉进锯片。在清除材料前关闭台锯直到锯片停止。
- ▶ **直锯小于2mm厚的工件时使用接触台面的辅助靠栅。**薄工件可能卡到平行靠栅下面而导致回弹。

##### 回弹原因和相关警告：

回弹是因锯片受挤压、被卡住或工件上的切割线与锯片未对齐或当部分工件卡在锯片和平行靠栅或其他固定物体之间时工件的突然反作用。大多数情况下，回弹时工件被锯片后部抬高工作台并被推向操作者。

回弹是台锯误用和/或不正确的操作步骤或状态引起的,且可以采取下述适当的预防措施来避免:

- ▶ **不要站成与锯片在一直线上。站在靠栅所在的锯片侧。**回弹可能将工件高速推向站在锯片前面与其成一条直线的任何人。
- ▶ **不要在锯片上方或后部拖拉或支撑工件。**可能意外触及锯片或回弹可能将您的手指拖进锯片。
- ▶ **不要握持和压住正被旋转锯片锯下的工件。**压住正被锯片锯下的工件会导致卡住和回弹。
- ▶ **使靠栅与锯片平行。**方向偏移的靠栅会将工件挤向锯片而导致回弹。
- ▶ **进行诸如开槽口等非穿透锯割时,用羽毛板引导工件靠到工作台和靠栅上。**当发生回弹时羽毛板有助于控制工件。
- ▶ **支撑大型板材以减少锯片挤压或卡住的风险。**大型板材会因为自重而下垂。支撑件必须支撑住所有悬在台面之外的板材。
- ▶ **锯割扭曲、有节、弯曲或没有直边可以用斜规或靠栅引导的工件时需特别小心。**弯曲、有结,或扭曲的工件是不稳固的且导致锯缝与锯片不对齐、卡住和回弹。
- ▶ **不要锯割多于一件的垂直或水平堆叠工件。**当台锯重启时如果锯片卡住会抬起工件并导致回弹。
- ▶ **当锯片处于工件中时若重新启动台锯,应使锯片处于锯缝中间使锯齿不接触材料。**当台锯重启时如果锯片卡住会抬起工件并导致回弹。
- ▶ **保持锯片清洁、锋利,且有足够齿数。不要使用变形锯片或开裂或断齿的锯片。**锋利且齿数正常的锯片能减少卡住、堵转和回弹。

#### 台锯操作过程警告:

- ▶ **在拆卸台锯嵌板,更换锯片或调节分料刀或锯片护罩时,和当机器无人照看时关闭台锯并拔下电池包。**应采取预防措施避免偶然事故。
- ▶ **不要留下运转的台锯无人照看。关闭台锯且在其完全停止前不要离开。**无人照看的运转着的台锯是不受控且危险的。
- ▶ **台锯应放在采光良好且地面平坦处以保持操作者良好的立足和平衡。**狭窄、昏暗、及不平易打滑地面会导致意外事故。
- ▶ **经常清除去工作台面和/或集尘装置中的锯屑。**堆集的锯屑易燃且可能自燃。
- ▶ **应固定台锯。**台锯未被恰当固定可能移动或翻倒。
- ▶ **启动台锯前移除工作台上的刀具、零碎木料等。**杂乱或潜在堵塞是危险的。
- ▶ **总是使用轴孔尺寸和形状正确的锯片(金钢石锯片对应圆形孔)。**与安装件不匹配的锯片会偏心而引起失控。
- ▶ **不要使用损坏的或不合适的法兰、垫片、螺栓或螺母等锯片安装装置。**这些安装装置是为本台锯的安全操作和优化性能特别设计的。
- ▶ **不要站在台锯上,不要将其他当作踏凳。**工具翻倒或意外触及锯割刀具可能发生严重人身伤害。
- ▶ **安装锯片时确认其在正确的旋转方向。**台锯上不要使用磨轮、钢丝刷或砂轮。安装不合适的锯片或使用未推荐的附件会导致严重人身伤害。

## 其他安全规章

- ▶ **安装锯片时务必穿戴防护手套。**有受伤的危险。
- ▶ **不要使用高速钢锯片。**此类锯片容易折断。
- ▶ **只允许使用符合本使用说明书中和电动工具上给出的特性数据,并通过EN 847-1标准认证且有相应认证标识的锯片。**
- ▶ **请勿在没有台板的情况下使用电动工具。请更换损坏的台板。**如果没有完好的台板,您可能被锯片割伤。
- ▶ **工作场地应保持清洁。**材料混合特别危险。轻金属粉尘可能会起火燃烧或爆炸。
- ▶ **请为希望加工的材料选择合适的锯片。**
- ▶ **只能使用由本电动工具制造商所推荐的锯片,以及适合加工物料的锯片。**
- ▶ **仅当锯片运转时,才能将工件向其迎去。**否则如果锯片卡在工件中,会有反弹的危险。
- ▶ **如果充电电池损坏或者未按照规定使用,充电电池中会散发出有毒蒸汽。充电电池可能会燃烧或爆炸。**工作场所必须保持空气流通,如果身体有任何不适必须马上就医。蒸汽会刺激呼吸道。
- ▶ **切勿打开充电电池。**可能造成短路。
- ▶ **钉子、螺丝刀等尖锐物品或外力作用可能会损坏充电电池。**有可能出现内部短路、蓄电池燃烧、发出烟雾、爆炸或过热。
- ▶ **只能将此充电电池用在制造商的产品中。**这样才能确保充电电池不会过载。



保护充电电池免受高温(例如长期阳光照射)、火焰、脏污、水和湿气的侵害。有爆炸和短路的危险。



## 图标

以下符号可以帮助您正确地使用本电动工具。请牢记各符号和它们的代表意思。正确了解各符号的代表意思,可以帮助您更有把握更安全地操作本电动工具。

### 图标及其含义



当电动工具运转时,切勿把手放在锯切区域内。碰到锯片会有受伤危险。



请佩戴防尘口罩。



请佩戴听力防护装置。工作噪音会损坏听力。

## 图标及其含义

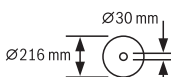


请佩戴护目镜。

**3 601 M44 000**

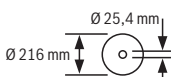
**3 601 M44 0K0**

**3 601 M44 040**



注意锯片的尺寸。孔径必须无间隙地与工具主轴贴合。如果必须使用缩径套，应注意根据锯片厚度、锯片孔径以及刀具主轴直径来匹配缩径套的尺寸。尽可能使用与锯片配套的缩径套。

**3 601 M44 0B0**



锯片直径必须与图标上的说明一致。

**3 601 M44 000**

**3 601 M44 0K0**

**3 601 M44 040**



a 允许的最大锯片直径为216毫米。

b 更换锯片时，请确保切割宽度不小于1.7毫米，锯片主体的厚度不大于1.5毫米。否则劈开楔（毫米）可能卡在工件中。

c 劈开楔的厚度为1.6毫米。

d 锯齿的锯切方向（锯片上的箭头方向）必须和劈开楔上的箭头方向一致。

**3 601 M44 0B0**



a 允许的最大锯片直径为216毫米。

b 更换锯片时，请确保切割宽度不小于2.3毫米，锯片主体的厚度不大于2.1毫米。否则劈开楔（毫米）可能卡在工件中。

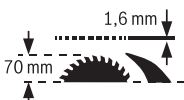
c 劈开楔的厚度为2.2毫米。

d 锯齿的锯切方向（锯片上的箭头方向）必须和劈开楔上的箭头方向一致。

**3 601 M44 000**

**3 601 M44 0K0**

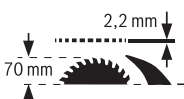
**3 601 M44 040**



劈开楔的厚度为1.6毫米。

工件的最大许可高度为70毫米。

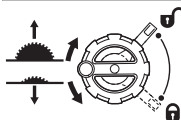
**3 601 M44 0B0**



劈开楔的厚度为2.2毫米。

工件的最大许可高度为70毫米。

## 图标及其含义



左侧：

显示手柄降低锯片（运输位置）时的旋转方向和升高锯片（工作位置）时的旋转方向。

右侧：

显示用来固定锯片和调整垂直斜切角度（可翻转锯片）的锁定杆的位置。



产品带有CE标志，表明制造商确认该电动工具符合适用的欧盟指令。

## 产品和性能说明



请阅读所有安全规章和指示。不遵照以下警告和说明可能导致电击、着火和/或严重伤害。

请注意本使用说明书开头部分的图示。

## 按照规定使用

本电动工具适合以站立的方式在软木和硬木、刨花板和纤维板上进行纵向和横向的直线锯割。水平斜切角度的范围为 $-30^{\circ}$ 至 $+30^{\circ}$ ，垂直斜切角度的范围为 $0^{\circ}$ 至 $45^{\circ}$ 。

使用相应的锯片也可以锯切铝制型材和塑料。

## 插图上的机件

机件的编号和电动工具详解图上的编号一致。

- (1) 用于测量锯片至平行限制器距离的刻度尺
- (2) 角度挡块
- (3) 保护盖
- (4) 劈开楔
- (5) 平行限制器
- (6) 锯台扩展件
- (7) 角度挡块库
- (8) 安装孔
- (9) 环形扳手（23毫米；13毫米）
- (10) 内六角扳手（5毫米）
- (11) 用于存储保护盖的支架
- (12) 推棒
- (13) 锯台扩展件夹紧手柄
- (14) 手轮
- (15) 用来升高和降低锯片的手柄
- (16) 电源开关
- (17) 充电电池<sup>a)</sup>
- (18) 45度斜切角度的挡块（垂直）
- (19) 斜切角度刻度尺（垂直）
- (20) 锁定杆，用来调整垂直方向的斜切角度
- (21) 角度指示器（垂直）
- (22) 0度斜切角度的挡块（垂直）

- |                             |                               |
|-----------------------------|-------------------------------|
| (23) 锯台                     | (48) 用于抬起锯台插入件的抓孔             |
| (24) 平行限制器张力调整螺栓            | (49) 夹紧螺母                     |
| (25) 锯台插入件                  | (50) 主轴制动杆                    |
| (26) 锯片                     | (51) 夹紧法兰                     |
| (27) 平行限制器导槽                | (52) 固定法兰                     |
| (28) 充电电池解锁按钮 <sup>a)</sup> | (53) 刀具主轴                     |
| (29) 提柄                     | (54) 任意斜切角度的固定旋钮（水平）          |
| (30) 针对角度挡块的导槽              | (55) 角度挡块上的角度指示器              |
| (31) 吸尘适配接头                 | (56) 刻度显示                     |
| (32) 锯台上用于平行限制器的V型导槽        | (57) 锯台上的距离指示器                |
| (33) 底部栅板                   | (58) 用于调整0度挡块的十字螺栓            |
| (34) 底部栅板止动螺栓               | (59) 角度指示器螺栓（垂直）              |
| (35) 夹紧杆/夹子标记               | (60) 用于调整45度挡块的十字螺栓           |
| (36) 劈开楔夹紧杆                 | (61) 前部内六角螺栓（5毫米），用于调整锯片的平行度  |
| (37) 劈开楔定位销                 | (62) 后部内六角螺栓（5毫米），用于调整锯片的平行度  |
| (38) 锯台插入件止动螺栓              | (63) 锯台距离指示器螺栓                |
| (39) 保护盖夹紧杆                 | (64) 内六角螺栓（5毫米），用于调整平行限制器的平行度 |
| (40) 保护盖导向螺栓                | (65) 平行限制器距离指示器螺栓             |
| (41) 平行限制器的拧紧柄              | (66) 锯台插入件调整螺栓                |
| (42) 平行限制器的V型导向件            | (67) 推棒库                      |
| (43) 辅助平行限制器                | (68) 内六角扳手库                   |
| (44) “辅助平行限制器”固定套件          | (69) 环形扳手库                    |
| (45) 角度挡块的导轨                |                               |
| (46) 下部锯片盖                  |                               |
| (47) 下部锯片盖接片                |                               |

a) 图表或说明上提到的附件，并不包含在基本的供货范围中。本公司的附件清单中有完整的附件供应项目。

## 技术参数

台式圆锯		GTS 18V-216	GTS 18V-216
物品代码		3 601 M44 000 3 601 M44 040 3 601 M44 0K0	3 601 M44 0B0
额定电压	V=	18	18
空载转速 <sup>A)</sup>	转/分钟	4500	4500
起动电流限制		●	●
重量符合EPTA-Procedure 01:2014 <sup>B)</sup>	公斤	20.5-21.6	20.5-21.6
充电时建议的环境温度	摄氏度	0至+35	0至+35
工作时允许的环境温度 <sup>C)</sup> 时和存放时功率受限	摄氏度	-20至+50	-20至+50
兼容的充电电池		GBA 18伏... ProCORE18伏...	GBA 18伏... ProCORE18伏...
推荐的确全功率的充电电池		ProCORE18伏... ≥ 5.5安培 小时	ProCORE18伏... ≥ 5.5安培 小时
推荐的充电器		GAL 18... GAX 18... GAL 36...	GAL 18... GAX 18... GAL 36...
尺寸（包括可拆卸的机件）			
宽度 x 深度 x 高度	毫米	658 x 332 x 553	658 x 332 x 553



台式圆锯		GTS 18V-216	GTS 18V-216
<b>合适锯片的尺寸</b>			
锯片直径	毫米	216	216
锯片主体的厚度	毫米	<1.5	1.5-2.1
最小锯齿厚度/锯齿斜度	毫米	>1.7	>2.3
固定孔直径	毫米	30	25.4

A) 在20-25摄氏度的条件下带充电电池**ProCORE18V 12.0Ah**测得

B) 视所使用的充电电池而定

C) 温度 < 0 摄氏度时功率受限

最大工件尺寸：(参见“最大工件尺寸”，页 101)

数值可能因不同产品而异，并且受到应用和环境条件影响。更多信息请参见 [www.bosch-professional.com/wac](http://www.bosch-professional.com/wac)。

## 充电电池

**Bosch** 也销售不带充电电池的充电式电动工具。您可以在包装上查看电动工具的供货范围内是否包含充电电池。

### 为充电电池充电

► **请只使用在技术参数中列出的充电器。** 只有这些充电器才适用于本电动工具上的锂离子电池。

**提示：** 鉴于国际运输规定，锂离子充电电池在交货时只完成部分充电。首度使用电动工具之前，必须先充足充电电池的电量以确保充电电池的功率。

### 安装充电电池

将充好电的充电电池推入电池座，直到嵌入。



**Bosch** 推荐使用容量最小3.0 Ah 的充电电池。

### 取出充电电池

如需取下充电电池，则请按压解锁按钮，然后拔出充电电池。**在此过程中请勿过度用力。**

充电电池具备双重锁定功能，即使不小心触动了充电电池的解锁按钮，充电电池也不会从机器中掉落下来。只要充电电池安装在电动工具中，就会被弹簧固定在其位置上。

### 充电电池电量指示灯

充电电池电量指示灯的绿色LED灯显示充电电池的电量。基于安全原因，只能在电动工具静止时检查充电电池的电量。

按压充电电量指示灯按键或, 来显示充电电量。也可以在充电电池取下时操作。

如果按压充电电量指示灯按键后没有LED灯亮起，则说明充电电池损坏，必须进行更换。

### 充电电池型号 GBA 18V...



LED	电量
3个绿灯长亮	60-100 %
2个绿灯长亮	30-60 %
1个绿灯长亮	5-30 %
1个绿灯闪烁	0-5 %

### 充电电池型号 ProCORE18V...



LED	电量
5个绿灯长亮	80-100 %
4个绿灯长亮	60-80 %
3个绿灯长亮	40-60 %
2个绿灯长亮	20-40 %
1个绿灯长亮	5-20 %
1个绿灯闪烁	0-5 %

### 如何正确地使用充电电池

保护充电电池，避免湿气和水分渗入。

充电电池必须储存在-20 °C至50 °C的环境中。夏天不得将充电电池搁置在汽车中。

不时地使用柔软，清洁而且干燥的毛刷清洁充电电池的通气孔。

充电后如果充电电池的使用时间明显缩短，代表充电电池已经损坏，必须更换新的充电电池。

请注意有关作废处理的规定。

## 安装

► **在电动工具上进行任何维护的工作（例如维修，更换工具等等），以及搬运、保存电动工具之前都必须从机器中取出蓄电池。** 无意间操作开关可能会造成伤害。

## 供货范围

电动工具初次投入运行前请检查下列零件是否均配套提供：

- 安装了锯片(26)和劈开楔(4)的台式圆锯
- 角度挡块(2)
- 平行限制器(5)
- 辅助平行限制器(43)
- “辅助平行限制器”固定套件(44) (2个固定螺栓、2个垫圈、2个翼形螺母)
- 保护盖(3)
- 内六角扳手(10)
- 环形扳手(9)带一字头螺丝刀式尖端
- 推棒(12)
- 锯台插入件(25)

**提示：**检查电动工具是否有损坏之处。

使用电动工具之前，必须详细检查防护装置或轻微损坏的零件是否仍然运作正常。检查活动性零件是否功能正常不会被夹住，以及该零件有否受损。所有的零件都必须安装正确，并且符合规定以确保机器的正常功能。

损坏的防护装置和零件必须按照规定交给合格的专业修理厂修理或更换。

**除了供货范围内的部件之外，您还须使用以下的工具：**

- 十字螺丝刀
- 角规

## 安装各部件

- 小心地从包装中取出所有的供货物品。
- 拆除电动工具和附带附件上的所有包装材料。
- 将止动螺栓(34)用环形扳手(9)的尖端沿方向“开锁”旋转到限位，打开底部栅板(33) (参见插图a)。
- 拆除电机座下的包装材料。

以下机件直接固定在壳体上：推棒(12)、环形扳手(9)、内六角扳手(10)、平行限制器(5)、角度挡块(2)、吸尘适配接头(31)、辅助平行限制器(43) (带固定套件)(44)和保护盖(3)。

- 如果您需要其中的某个机件，请将其小心地从储存槽中取出。

### 定位劈开楔 (参见插图b1-b2)

**提示：**必要的话，在定位之前清洁所有的零部件。

- 将手柄(15)顺时针旋转到限位，使锯片(26)处于锯台上方最高位置。
- 沿顺时针方向松开夹紧杆(36)，直至它朝上。
- 将劈开楔(4)朝夹紧杆(36)方向推，直至可以朝上拉。
- 将劈开楔向上拉到顶，使其精确定位在锯片中央。
- 将两个销钉(37)卡入劈开楔的上部孔中，然后再次拧紧夹紧杆(36)。
- 夹子和夹紧杆(36)上的标记(35)必须如同所显示的那样已对准。

### 安装锯台插入件 (参见插图c)

- 将锯台插入件(25)通过劈开楔(4)装入刀具槽内。
- 将止动螺栓(38)用环形扳手(9)的尖端沿“上锁”方向旋转至限位。

锯台插入件(25)的正面必须与锯台齐平或略微低于锯台，背面必须与锯台齐平或略微高于锯台。

### 安装保护盖 (参见插图d1-d2)

**提示：**只有当劈开楔精确位于锯片中心上方最高处位置时，才可以安装保护盖 (参见插图b2)。如果劈开楔位于最下方位置 (交付状态或锯切凹槽的位置)，则不可以安装保护盖 (参见插图b1)。

- 松开夹紧杆(39)，然后将保护盖(3)从支架(11)中取出。
- 用手握住保护盖(3)的锯片保护装置 (上方金属导轨)，用另一只手将夹紧杆(39)向上移动。
- 将导向螺栓(40)向后推入劈开楔(4)的凹槽中。
- 向下移动保护盖(3)，直至锯片保护装置 (上方金属导轨) 与锯台(23)表面平行。
- 向下按压夹紧杆(39)。必须听到夹紧杆卡入的声音，确保保护盖(3)已牢牢安装好。

► **每次使用前，请检查保护盖是否顺畅移动。如果保护盖无法自由移动或无法立即关闭，请勿使用电动工具。**

### 安装平行限制器 (参见插图e)

平行限制器(5)可以定位在锯片的左侧或右侧。

- 松开平行限制器(5)的夹紧手柄(41)。从而卡住V型导向件(42)。
- 首先将带V型导向件的平行限制器放入锯台的导槽(32)。然后将平行限制器定位到锯台的前部导槽(27)中。
- 现在您可以随心所欲地移动平行限制器。
- 如需固定平行限制器，请将夹紧手柄(41)向下按压。

### 安装辅助平行限制器 (参见插图f)

锯切狭长工件和垂直斜切角度时，必须将辅助平行限制器(43)安装到辅助平行限制器(5)上。视需求而定，辅助平行限制器可以安装在平行限制器(5)的左侧或右侧。

- 安装时，请使用“辅助平行限制器”固定套件(44) (2个固定螺栓、2个垫圈、2个翼形螺母)。
- 将固定螺栓穿过平行限制器(5)上的侧孔。
  - 此时螺栓头可以充当平行限制器附件的导引。
  - 将辅助平行限制器(43)推到固定螺栓头上方。
  - 将垫圈放到固定螺栓上，然后借助翼形螺母拧紧螺栓。

### 安装角度挡块 (参见插图g)

- 将角度挡块(2)的导轨(45)装入规定的锯台导槽(30)中。

### 固定或活动的安装方式

- **为了能够稳定地操作机器，正式使用之前，必须将电动工具固定在平坦、稳固的工作平面上 (例如工作台)。**

### 安装在工作面上 (参见插图h)

- 使用合适的螺栓连接将电动工具固定在工作面上。为此需要钻孔(8)。

### 安装在博世工作台上 (参见插图i)

博世工作台 (GTA 560) 有可调整高度的桌脚, 使电动工具能够站立在任何底面上。

- ▶ **阅读工作台附带的所有警告提示和说明。** 如果不遵守警告提示和说明, 可能会导致触电、火灾和/或严重受伤的后果。
- ▶ **安装电动工具之前必须先正确地组装工作台。** 正确组装工作台非常重要, 这样可以避免工作台倒塌。
- 将电动工具以运输位置安装在工作台上。

### 抽吸粉尘/切屑

含铅的颜料以及某些木材、矿物和金属的加工废尘有害健康。机器操作者或者工地附近的人如果接触、吸入这些废尘, 可能会有过敏反应或者感染呼吸道疾病。

某些尘埃 (例如加工橡木或山毛榉的废尘) 可能致癌, 特别是和处理木材的添加剂 (例如木材的防腐剂等) 结合之后。只有经过专业训练的人能够加工含石棉的物料。

- 尽可能使用适合物料的吸尘装置。
- 工作场所要保持空气流通。
- 最好佩戴P2滤网等级的口罩。

请留心并遵守贵国和加工物料有关的法规。

- ▶ **避免让工作场所堆积过多的尘垢。** 尘埃容易被点燃。

尘/屑吸集装置可能因为废尘、废屑或工件的残屑而造成堵塞。

- 关闭电动工具并取出充电电池。
- 静候让锯片完全停止转动。
- 找出造成阻塞的原因, 并且排除障碍。
- ▶ **为了避免锯切铝材时发生火灾, 请清空下部锯片盖且不要使用锯屑抽吸装置。**

### 清洁下部锯片盖 (参见插图j)

可以清空下部锯片盖(46)来清除工件碎屑和大切屑。

- 关闭电动工具并从电动工具中取出充电电池。
- 静候让锯片完全停止转动。
- 将电动工具侧放。
- 打开底部栅板(33) (参见插图a)。
- 将下部锯片盖的接片(47)略微拉开, 然后翻开下部锯片盖(46)。
- 清除工件的碎块和锯屑。
- 再次合上下部锯片盖(46), 直至接片(47)卡止。
- 关闭底部栅板(33)。
- 将电动工具调整在工作位置上。

### 外部抽吸装置 (参见插图k)

- 将合适的集尘器软管牢固插入吸尘适配接头(31)。

根据工件的物料选择合适的集尘装置。

抽吸可能危害健康、可能导致癌症或干燥的废尘时, 务必使用特殊的集尘装置。

### 更换锯片 (参见插图l1-l4)

- ▶ **在电动工具上进行任何维护的工作 (例如维修, 更换工具等等), 以及搬运、保存电动工具之前都必须从机器中取出蓄电池。** 无意间操作开关可能会造成伤害。
- ▶ **安装锯片时必须穿戴防护手套。** 有受伤的危险。
- ▶ **所使用的锯片的最高许可转速必须高于电动工具的无负载转速。**
- ▶ **只允许使用符合本使用说明书中和电动工具上给出的特性数据, 并通过EN 847-1标准认证且有相应认证标识的锯片。**
- ▶ **只能使用由本电动工具制造商所推荐的锯片, 以及适合加工物料的锯片。**
- ▶ **不要使用高速钢锯片。** 此类锯片容易折断。

### 拆卸锯片

- 打开夹紧杆(39), 将保护盖(3)从劈开楔(4)的凹槽中拉出。
- 将止动螺栓(38)用环形扳手(9)的尖端沿方向“开锁”旋转至限位, 然后将锯台插入件(25)从刀具槽中抬起。为了便于抬起, 可以使用抓孔(48)。
- 将手柄(15)顺时针旋转到限位, 使锯片(26)处于锯台上方最高位置。
- 用环形扳手(9)转动夹紧螺母(49), 同时拉动主轴制动杆(50), 直至卡止。
- 继续拉住制动杆, 并朝着逆时针方向拧出夹紧螺母。
- 取下夹紧法兰(51)。
- 取下锯片(26)。

### 安装锯片

- 必要的话, 在安装之前清洁所有的零部件。
  - 将新锯片装到刀具主轴(53)的固定法兰(52)上。
- 提示:** 请勿使用过小的锯片。锯片和劈开楔之间的径向间隙不得超过3 – 8毫米。
- ▶ **安装时请注意, 锯齿的锯切方向 (锯片上的箭头方向) 必须和劈开楔上的箭头方向一致!**
  - 装上夹紧法兰(51)和夹紧螺母(49)。
  - 用环形扳手(9)转动夹紧螺母(49), 同时拉动主轴制动杆(50), 直至卡止。
  - 顺时针方向拧紧夹紧螺母。
  - 将锯台插入件(25)通过劈开楔(4)装入刀具槽内。将止动螺栓(38)用环形扳手(9)的尖端沿“上锁”方向旋转至限位。
  - 再次安装保护盖(3)。

## 运行

- ▶ **在电动工具上进行任何维护的工作 (例如维修, 更换工具等等), 以及搬运、保存电动工具之前都必须从机器中取出蓄电池。** 无意间操作开关可能会造成伤害。

## 锯片的运输位置和工作位置

### 运输位置

- 移除保护盖(3)和锯台插入件(25)，将劈开楔(4)定位到底部位置。再次装入锯台插入件(25)。
- 将手柄(15)逆时针转动，直至锯片(26)的锯齿处于锯台(23)下方。
- 将锯台扩展件(6)向内推到底。向下按压夹紧手柄(13)。由此固定好锯台扩展件。

### 工作位置

- 将劈开楔(4)精确定位到锯片中心的最上方位置，然后装入锯台插入件(25)并安装保护盖(3)。
- 将手柄(15)顺时针转动，直至锯片(26)的上部锯齿处于工件上方约3 - 6毫米的位置。

## 加大锯台

如果工件又长又重，必须在它悬空的末端放上衬垫或做好支撑。

### 锯台扩展件（参见插图A）

- 利用锯台扩展件(6)可将锯台(23)向右扩展。
- 将锯台扩展件的夹紧手柄(13)向上拉到顶。
  - 向外拉动锯台扩展件(6)，直至达到所需的长度。
  - 向下按压夹紧手柄(13)。由此固定好锯台扩展件。

## 设置垂直和水平斜切角度

为了确保精确的锯切，在频繁使用之后必须检查电动工具的基本设定，必要时进行适度调整。

### 设置垂直斜切角度（锯片）（参见插图B）

垂直斜切角度的调整范围为0°至45°。

- 逆时针松开锁定杆(20)。

**提示：**完全松开锁定杆时，锯片因重力倾斜到约30度的位置。

- 沿着连杆拉动或按压手轮(14)，直至角度指示器(21)显示所需的垂直斜切角度。
- 让手轮保持在这个位置，并重新拧紧锁定杆(20)。

出厂时已设置好的限位挡块((22), (18))用于快速精确地设定垂直标准角度0度和45度。

### 设置水平斜切角度（角度挡块）（参见插图C）

水平斜切角度的调整范围可在30°（左侧）至30°（右侧）之间调整。

- 如果固定旋钮(54)被拧紧了，请先松开。
- 转动角度挡块，直至角度指示器(55)显示所需的斜切角度。
- 再次拧紧固定旋钮(54)。

## 调整平行限制器

平行限制器(5)可以定位在锯片的左侧（黑色刻度）或右侧（银色刻度）。刻度显示(56)中的标记表示刻度尺(1)上平行限制器至锯片的设定距离。将平行限制器定位至所需的锯片侧面（参见“安装平行限制器（参见插图e）”，页98）。

### 在锯台未拉出时调整平行限制器

- 松开平行限制器(5)的夹紧手柄(41)。移动平行限制器，直至刻度显示(56)中的标记显示至锯片所需距离。
- 锯台未拉出时，适用银色刻度尺(1)的下部标记。
- 固定时，请再次向下按压夹紧手柄(41)。

### 在锯台拉出时调整平行限制器（参见插图D）

- 把平行限制器放在锯片的右侧。
- 移动平行限制器，直至刻度显示(56)中的标记在下方刻度尺上显示29厘米。
- 固定时，请再次向下按压夹紧手柄(41)。
- 将锯台扩展件的夹紧手柄(13)向上拉到顶。
- 向外拉动锯台扩展件(6)，直至距离指示器(57)在上方刻度尺上显示至锯片所需距离。
- 向下按压夹紧手柄(13)。由此固定好锯台扩展件。

## 设置辅助平行限制器（参见插图E）

锯切狭长工件和垂直斜切角度时，必须将辅助平行限制器(43)安装到平行限制器(5)上。

视需求而定，辅助平行限制器可以安装在平行限制器(5)的左侧或右侧。

锯割时工件可能卡在平行限制器和锯片之间，上升中的锯片会钩住该工件并将它向外抛开。

因此要调整好平行限制器的附件，得让导引的末端位在锯片最前端的锯齿和劈开楔的前缘之间。

- 为此，松开固定套件(44)的所有翼形螺母并移动辅助平行限制器，直至仅两个前部螺栓用于固定。
- 再度拧紧翼形螺母。

## 调整劈开楔

劈开楔(4)可以防止锯片(26)卡在锯缝中。如果锯片被夹在工件中可能产生反弹。

因此要随时注意，是否已经正确地调整好劈开楔：

- 锯片和劈开楔之间的径向间隙不得超过3 - 8毫米。
- 劈开楔的厚度必须小于锯缝的宽度，并且大于锯片主体的厚度。
- 劈开楔必须总是和锯片位在同一直线上。
- 就一般的分割线而言，劈开楔必须尽可能地位在最高的位置。

### 设置劈开楔的高度（参见插图F）

割凹槽时必须调整劈开楔的高度。

- ▶ 仅可在装备相应保护装置（比如通道保护罩、推力环）的情况下使用电动工具来开槽或翻边。
- 打开夹紧杆(39)，将保护盖(3)从劈开楔(4)的凹槽中拉出。
- 为避免保护罩损坏，请将其存放到规定的壳体支架(11)上（另见插图O2）。
- 将手柄(15)顺时针旋转到限位，使锯片(26)处于锯台上方最高位置。
- 沿顺时针方向松开夹紧杆(36)，直至它朝上。

- 将劈开楔从销钉(37)上拉开（略微向外拉动夹紧杆(36)），然后向下移动劈开楔(4)，直至限位。
  - 将两个销钉(37)卡入劈开楔的上部孔中，然后再次拧紧夹紧杆(36)。
- 标记(35)（夹子和夹紧杆(36)上）必须如同所显示的那样已对准。

## 投入使用

### 接通（参见插图G1）

- 投入使用时请按压两侧电源开关(16)，然后向上拉动。

### 关闭（参见插图G2）

- 将电源开关(16)向下按到底。

### 防止无授权操作（参见插图XG3）

为了防止无授权操作，您可以用一把挂锁锁住电源开关(16)。

- 用挂锁较长的U形锁钩穿过电源开关(16)中的孔眼，然后锁上。

## 工作提示

### 一般性的锯切提示

- ▶ 进行任何锯割之前必须先确定锯片绝对不会碰触挡块或其它的机件。
- ▶ 仅可在装备相应保护装置（比如通道保护罩、推力环）的情况下使用电动工具来开槽或翻边。
- ▶ 不得将本电动工具用于开槽（末端在工件内的槽）。

保护锯片免受碰撞和敲击。不可以侧压锯片。

劈开楔必须和锯片位在同一直线上，以防工件被夹住。

不可以加工变形的工件。为了能够紧靠在平行限制器上，工件至少必须具备一道笔直的边缘。

推棒要存放在电动工具上。

### 操作者的位置（参见插图H）

- ▶ 不要站成与锯片在一直线上。站在靠栅所在的锯片侧。回弹可能将工件高速推向站在锯片前面与其成一条直线的任何人。
- 手掌、手指和手臂必须远离转动中的锯片。

请注意以下各指示：

- 使用双手握好工件并将工件牢牢地压在锯台上。
- 锯切狭长工件和垂直斜切角度时，应始终使用配套的推棒(12)和辅助平行限制器(43)。

### 最大工件尺寸

垂直斜切角度	最大工件高度 [毫米]
0度	70
45度	50

## 锯切

### 锯割直线

- 将平行限制器(5)调整到所需的切割宽度。
- 将工件放到锯台的保护盖(3)前部。

- 通过手柄(15)尽可能地升高或降低锯片，直至锯片(26)的上部锯齿处于工件上方约3 - 6毫米的位置。
- 接通电动工具的电源。
- 施力均匀地锯切工件。
- 如果施力过大，则锯片尖可能过热，工件可能会损坏。
- 关闭电动工具并等待，直至锯片完全停止转动。

### 锯割垂直方向的斜切角度

- 请设置所需的锯片垂直斜切角度。
- 锯片向左倾斜时，平行限制器(5)必须位于锯片的右侧。
- 遵循相应的工作步骤：（参见“锯割直线”，页101）

### 锯切水平斜切角度（参见插图I）

- 请通过角度挡块(2)设置所需的水平斜切角度。
- 将工件放到角度挡块(2)上。
- 使用手摇柄(15)升高或降低锯片，让锯片的上端锯齿突出于工件表面约5毫米。
- 接通电动工具的电源。
- 用一只手将工件顶在角度挡块上，另一只手握在固定旋钮(54)上并慢慢地将导引槽(30)中的角度挡块向前推动。
- 关闭电动工具并等待，直至锯片完全停止转动。

## 检查和调整基本设定

为了确保精确的锯切，在频繁使用之后必须检查电动工具的基本设定，必要时进行适度调整。

检查时不仅要有足够的经验，而且还要使用特殊工具。

博世的客户服务中心能够快速可靠地执行这项工作。

### 调整垂直标准斜切角度0度/45度的挡块

- 将电动工具调整在工作位置上。
- 请设置锯片的0度垂直斜切角度。
- 拆下保护盖(3)。

### 检查（参见插图J1）

- 拆除锯台插入件(25)（参见“安装锯台插入件（参见插图c）”，页98）。
  - 将角规调整到90度并将其放到锯台(23)上。
- 角规的支脚必须与锯片(26)在整个长度上齐平。

### 调整（参见插图J2）

- 松开螺栓(58)。从而可以移动0度挡块(22)。
- 松开锁定杆(20)。
- 对着0度挡块推动手轮(14)，直至角规的支脚和锯片在整个长度上齐平。
- 让手轮保持在这个位置，并重新拧紧锁定杆(20)。
- 重新拧紧螺栓(58)。
- 重新安装锯台插入件(25)（参见“安装锯台插入件（参见插图c）”，页98）。

如果角度指示器(21)在调整后未指向刻度尺(19)的0度标记线，请用市售十字螺丝刀松开螺栓(59)，并沿着0度标记校准角度指示器。

对于45度的垂直斜切角度，请相应地执行上述工作步骤（松开螺栓**(60)**；移动45度挡块**(18)**）。同时不得再次调整角度指示器**(21)**。

#### 锯片与角度挡块导槽的平行度（参见插图K）

- 将电动工具调整在工作位置上。
- 移除保护盖**(3)**。

#### 检查

- 用铅笔标出锯台插入件上方后部可看到的第一个左锯齿。
- 将角规调整到90度，并将其放到导槽**(30)**的边缘上。
- 移动角规的支脚，直至触碰到标记的锯齿，然后读取锯片和导槽之间的距离。
- 转动锯片，直至标记的前部锯齿位于锯台插入件上方。
- 沿着导槽移动角规，并将它移动到被做上记号的锯齿上。
- 再度测量锯片和导槽之间的距离。

这两个测量值必须相同。

#### 调整

- 用配套的内六角扳手**(10)**松开锯台下方的前部内六角螺栓**(61)**和锯台下方的后部内六角螺栓**(62)**。
- 小心地移动锯片，直至与导槽**(30)**平行。
- 重新拧紧所有螺栓**(61)**和**(62)**。

#### 距调整锯台的距离指示器（参见插图L）

- 把平行限制器放在锯片的右侧。移动平行限制器，直至刻度显示**(56)**中的标记在下方刻度尺上显示**29**厘米。固定时，请再次向下按压夹紧手柄**(41)**。
- 将夹紧手柄**(13)**向上拉到顶，然后将锯台扩展件**(6)**向外拉动，直至挡块。

#### 检查

距离指示器**(57)**在上部刻度尺**(1)**上显示的数值必须与刻度显示**(56)**下部刻度尺**(1)**上的标记相同。

#### 调整

- 向外拉动锯台扩展件**(6)**，直至挡块。
- 用十字螺栓刀松开螺栓**(63)**，并沿着上部刻度尺**(1)**的**29**厘米标记校准距离指示器**(57)**。

#### 调整平行限制器的平行度（参见插图M）

- 将电动工具调整在工作位置上。
- 移除保护盖**(3)**。
- 松开并移动平行限制器的夹紧手柄**(41)**，直至与锯片接触。

#### 检查

平行限制器**(5)**必须在整个长度上接触锯片。

#### 调整

- 用随附的内六角扳手**(10)**松开内六角螺栓**(64)**。
- 小心地移动平行限制器**(5)**，直至在整个长度上接触锯片。
- 让平行限制器保持在这个位置，并重新向下按压夹紧手柄**(41)**。
- 重新拧紧内六角螺栓**(64)**。

#### 调整平行限制器的张力

频繁使用后可能会减弱平行限制器**(5)**的张力。

- 拧紧调整螺栓**(24)**，直至平行限制器可以再次牢固地固定到锯台上。

#### 调整平行限制器的刻度显示（参见插图XM）

- 将电动工具调整在工作位置上。
- 移除保护盖**(3)**。
- 从右侧移动平行限制器**(5)**，直至接触到锯片。

#### 检查

刻度显示**(56)**的标记必须与刻度尺**(1)**的0毫米标记成一条线。

#### 调整

- 用十字螺丝刀松开螺栓**(65)**，然后沿着0毫米标记对齐标记。

#### 调整锯台插入件的水平高度（参见插图N）

#### 检查

锯台插入件**(25)**的正面必须与锯台齐平或略微低于锯台，背面必须与锯台齐平或略微高于锯台。

#### 调整

- 用环形扳手**(9)**的尖端将调整螺栓**(66)**调至正确的高度。

#### 存储和运输

##### 存放机件（参见插图O1-O2）

本电动工具也提供了存放机件的机会，您可以将某些机件固定在电动工具上。

- 松开平行限制器**(5)**上的辅助平行限制器**(43)**。
- 将所有已松下的机件插到壳体的储存槽中（参见下表）。

机件	储存槽
平行限制器 <b>(5)</b>	转动，从下方挂入导轨，固定住夹紧手柄 <b>(41)</b>
将推棒 <b>(12)</b>	插入库 <b>(67)</b> 中
将保护盖 <b>(3)</b>	挂到支架 <b>(11)</b> 的凹槽中并用夹紧杆 <b>(39)</b> 拧紧
将内六角扳手 <b>(10)</b>	插入库 <b>(68)</b> 中
将环形扳手 <b>(9)</b>	插入库 <b>(69)</b> 中
将角度挡块 <b>(2)</b>	插入库 <b>(7)</b> 中
将辅助平行限制器 <b>(43)</b>	推入平行限制器 <b>(5)</b> 上的后部槽中，然后用翼形螺栓拧紧

#### 搬运电动工具

- ▶ 在电动工具上进行任何维护的工作（例如维修，更换工具等等），以及搬运、保存电动工具之前都必须从机器中取出蓄电池。无意间操作开关可能会造成伤害。

运输电动工具之前必须先执行以下各步骤：

- 将电动工具调至运输位置（参见“运输位置”，页100）。
- 拆除所有无法固定安装在电动工具上的附件。运输时必须尽可能把不使用的锯片放置在封闭的盒子中。

- 将锯台扩展件(6)向内移到底，然后向下按压夹紧手柄(13)来固定。
- 需要提升或搬运时可使用提柄(29)。
- ▶ **搬动电动工具时只能使用运输装置，不可以利用防护装置来运输电动工具。**

## 维修和服务

### 维护和清洁

- ▶ **在电动工具上进行任何维护的工作（例如维修，更换工具等等），以及搬运、保存电动工具之前都必须从机器中取出蓄电池。无意间操作开关可能会造成伤害。**
- ▶ **电动工具和通气孔必须随时保持清洁，以确保工作效率和工作安全。**

#### 清洁

每次工作结束后，使用压缩空气或毛刷清除机器上的灰尘和锯屑。

#### 降低噪音的措施

制造商提供的方法：

- 缓速启动
  - 提供特别为了降低噪音而研发的锯片
- 操作者自己能做的措施：
- 将机器安装在稳固的工作面上，可以降低震动
  - 使用具备了降低噪音功能的锯片
  - 定期清洁锯片和电动工具

### 客户服务和应用咨询

本公司顾客服务处负责回答有关本公司产品的修理、维护和备件的问题。备件的展开图纸和信息也可查看：[www.bosch-pt.com](http://www.bosch-pt.com)

博世应用咨询团队乐于就我们的产品及其附件问题提供帮助。

询问和订购备件时，务必提供机器铭牌上标示的10位数物品代码。

#### 中国大陆

博世电动工具（中国）有限公司  
中国 浙江省 杭州市  
滨江区 滨康路567号

102/1F 服务中心  
邮政编码：310052  
电话：(0571)8887 5566 / 5588  
传真：(0571)8887 6688 x 5566# / 5588#  
电邮：[bsc.hz@cn.bosch.com](mailto:bsc.hz@cn.bosch.com)  
[www.bosch-pt.com.cn](http://www.bosch-pt.com.cn)

#### 制造商地址：

Robert Bosch Power Tools GmbH  
罗伯特·博世电动工具有限公司  
70538 Stuttgart / GERMANY  
70538 斯图加特 / 德国

#### 其他服务地址请见：

[www.bosch-pt.com/serviceaddresses](http://www.bosch-pt.com/serviceaddresses)

### 搬运

所推荐的锂离子充电电池必须符合危险物品法规。使用者无须另外使用保护包装便可以运送该充电电池。

但是如果将它交由第三者运送（例如：寄空运或委托运输公司）则要使用特殊的包装和标示。此时必须向危险物品专家请教有关寄送危险物品的相关事宜。

确定充电电池的外壳未受损后，才可以寄送充电电池。粘好未加盖的触点并包装好充电电池，不可以让充电电池在包装中晃动。必要时也得注意各国有关的法规。

### 处理废弃物



必须以符合环保的方式，回收再利用损坏的电动工具、充电电池、附件和废弃的包装材料。



不可以把电动工具和充电电池/蓄电池丢入一般的家庭垃圾中！

### 充电电池/电池：

#### 锂离子：

请注意“搬运”段落中的指示（参见“搬运”，页 103）确认设置。

### 产品中有害物质的名称及含量

部件名称	有害物质					
	铅 (Pb)	汞 (Hg)	镉 (Cd)	六价铬 (Cr <sup>6+</sup> )	多溴联苯 (PBB)	多溴二苯醚 (PBDE)
外壳的金属部分	○	○	○	○	○	○
外壳的非金属部分	○	○	○	○	○	○
机械传动机构	X	○	○	○	○	○
电机组件	X	○	○	○	○	○
控制组件	X	○	○	○	○	○

部件名称	有害物质					
	铅 (Pb)	汞 (Hg)	镉 (Cd)	六价铬 (Cr <sup>6+</sup> )	多溴联苯 (PBB)	多溴二苯醚 (PBDE)
附件	○	○	○	○	○	○
配件	○	○	○	○	○	○
连接件	X	○	○	○	○	○
电源线①	○	○	○	○	○	○
电池系统②	X	○	○	○	○	○

本表格依据SJ/T11364的规定编制。

○：表示该有害物质在该部件所有均质材料中的含量均在GB/T 26572规定的限量要求以下。

X：表示该有害物质至少在该部件的某一均质材料中的含量超出GB/T 26572规定的限量要求。且目前业界没有成熟的替代方案，符合欧盟RoHS指令环保要求。

① 适用于采用电源线连接供电的产品。

② 适用于采用充电电池供电的产品。

产品环保使用期限内的使用条件参见产品说明书。

## 繁體中文

### 安全注意事項

#### 電動工具通用安全警告

##### 警告

請詳讀工作臺及電動工具的所有安全警告與使用說明。若不

遵照以下列出的指示，將可能導致電擊、著火和/或人員重傷。

保存所有警告和說明書以備查閱。

在所有警告中，「電動工具」此一名詞泛指：以市電驅動的（有線）電動工具或是以電池驅動的（無線）電動工具。

#### 工作場地的安全

- ▶ 保持工作場地清潔和明亮。混亂和黑暗的場地會引發事故。
- ▶ 不要在易爆環境，如有易燃液體、氣體或粉塵的環境下操作電動工具。電動工具產生的火花會點燃粉塵或氣體。
- ▶ 讓兒童和旁觀者離開後操作電動工具。注意力不集中會使您失去對工具的控制。

#### 電氣安全

- ▶ 電動工具插頭必須與插座相配。絕不能以任何方式改裝插頭。需接地的電動工具不能使用任何轉換插頭。未經改裝的插頭和相配的插座將減少電擊危險。
- ▶ 避免人體接觸接地表面，如管道、散熱片和冰箱。如果您身體接地會增加電擊危險。
- ▶ 不得將電動工具暴露在雨中或潮濕環境中。水進入電動工具將增加電擊危險。
- ▶ 不得濫用電線。絕不能用電線搬運、拉動電動工具或拔出其插頭。使電線遠離熱源、油、銳利邊

緣或移動零件。受損或纏繞的軟線會增加電擊危險。

- ▶ 當在戶外使用電動工具時，使用適合戶外使用的延長線。適合戶外使用的軟線，將減少電擊危險。
- ▶ 如果在潮濕環境下操作電動工具是不可避免的，應使用剩餘電流動作保護器（RCD）。使用RCD可降低電擊危險。

#### 人身安全

- ▶ 保持警覺，當操作電動工具時關注所從事的操作並保持清醒。當您感到疲倦，或在有藥物、酒精或治療反應時，不要操作電動工具。在操作電動工具時瞬間的疏忽會導致嚴重人身傷害。
- ▶ 使用個人防護裝置。始終佩戴護目鏡。安全裝置，諸如適當條件下使用防塵面具、防滑安全鞋、安全帽、聽力防護等裝置能減少人身傷害。
- ▶ 防止意外起動。確保開關在連接電源和/或電池盒、拿起或搬運工具時處於關閉位置。手指放在已接通電源的開關上或開關處於接通時插入插頭可能會導致危險。
- ▶ 在電動工具接通之前，拿掉所有調節鑰匙或扳手。遺留在電動工具旋轉零件上的扳手或鑰匙會導致人身傷害。
- ▶ 手不要伸展得太長。時刻注意立足點和身體平衡。這樣在意外情況下能很好地控制電動工具。
- ▶ 著裝適當。不要穿寬鬆衣服或佩戴飾品。讓您的衣物及頭髮遠離運動部件。寬鬆衣服、佩飾或長髮可能會捲入運動部件中。
- ▶ 如果提供了與排屑、集塵設備連接用的裝置，要確保他們連接完好且使用得當。使用這些裝置可減少塵屑引起的危險。
- ▶ 切勿因經常使用工具所累積的熟練感而過度自信，輕忽工具的安全守則。任何一個魯莽的舉動都可能瞬間造成人員重傷。



### 電動工具使用和注意事項

- ▶ **不要濫用電動工具，根據用途使用適當的電動工具。**選用適當設計的電動工具會使您工作更有效、更安全。
- ▶ **如果開關不能開啟或關閉工具電源，則不能使用該電動工具。**不能用開關來控制的電動工具是危險的且必須進行修理。
- ▶ **在進行任何調整、更換配件或貯存電動工具之前，必須從電源上拔掉插頭並/或取出電池盒。**這種防護性措施將減少工具意外起動的危險。
- ▶ **將閒置不用的電動工具貯存在兒童所及範圍之外，並且不要讓不熟悉電動工具或對這些說明不瞭解的人操作電動工具。**電動工具在未經培訓的用戶手中是危險的。
- ▶ **保養電動工具與配備。**檢查運動件是否調整到位或卡住，檢查零件破損情況和影響電動工具運行的其他狀況。如有損壞，電動工具應在使用前修理好。許多事故由維護不良的電動工具引發。
- ▶ **保持切削刀鋒利和清潔。**保養良好的有鋒利切削刃的刀具不易卡住而且容易控制。
- ▶ **按照使用說明書，考慮作業條件和進行的作業來使用電動工具、配件和工具的刀頭等。**將電動工具用於那些與其用途不符的操作可能會導致危險。
- ▶ **把手及握持區應保持乾燥、潔淨，且不得沾染任何油液或油脂。**易滑脫的把手及握持區將無法讓您在發生意外狀況時安全地抓緊並控制工具。

### 電池式工具使用和注意事項

- ▶ **只用製造商規定的充電器充電。**將適用於某種電池盒的充電器用到其他電池盒時會發生著火危險。
- ▶ **只有在配有專用電池盒的情況下才使用電動工具。**使用其他電池盒會發生損壞和著火危險。
- ▶ **當電池盒不用時，將它遠離其他金屬物體，例如回形針、硬幣、鑰匙、釘子、螺絲或其他小金屬物體，以防一端與另一端連接。**電池端部短路會引起燃燒或火災。
- ▶ **在濫用條件下，液體會從電池中濺出；避免接觸。**如果意外碰到了，用水沖洗。如果液體碰到了眼睛，還要尋求醫療幫助。從電池中濺出的液體會發生腐蝕或燃燒。
- ▶ **請勿使用已受損或經改裝的電池盒。**已受損或經改裝的電池組可能出現無法預期的反應，進而導致著火、爆炸或造成人員受傷。
- ▶ **勿讓電池盒或工具靠近火源或暴露於異常溫度環境中。**若是靠近火源或暴露在超過130°C的環境中可能造成爆炸。
- ▶ **請完全遵照所有的充電說明，電池盒或工具的溫度若是超出指示的規定範圍，請勿進行充電。**不當充電或是未在規定的溫度範圍內進行充電，皆可能造成電池損壞並面臨更高的著火風險。

### 檢修

- ▶ **將您的電動工具送交專業維修人員，必須使用同樣的備件進行更換。**這樣將確保所維修的電動工具的安全性。

- ▶ **請勿自行檢修受損的電池盒。**電池組應交由製造商或是獲得授權的服務供應商來進行檢修。

### 圓鋸台安全說明

#### 防護裝置相關警示

- ▶ **將防護裝置放好。**防護裝置功能需正常且正確安裝。鬆脫、損壞或功能不正常的防護裝置均必須修復或更換。
- ▶ **每次切割作業均必須使用鋸片防護裝置及劈刀。**針對鋸片會將加工件的整個厚度均切開的切割作業，防護裝置與其他安全裝置有助於降低受傷風險。
- ▶ **在完成非貫通切割（如重新鋸切或刨槽）後，請將劈刀還原到向上延伸位置。劈刀在向上延伸位置時，請重新裝上刀片防護裝置。**防護裝置與劈刀有助於降低受傷風險。
- ▶ **在啟動前請確認鋸片未與防護裝置、劈刀或加工件接觸。**鋸片意外接觸這些東西可能會造成危險。
- ▶ **請依本說明書中的指示來調整劈刀。**不正確的間隔、定位和校準皆可能會無法有效降低劈刀反彈的情況。
- ▶ **若要使用劈刀，必須將其與工件嚙合。**若加工件過短而無法啟動劈刀，則劈刀無法運作。在此情況下，會無法防止劈刀反彈。
- ▶ **使用適當的劈刀鋸片。**為使劈刀正常運作，鋸片直徑必須與劈刀配合且鋸片刀體必須比劈刀薄且鋸片的切割寬度必須比劈刀的厚度寬。

#### 切割程序警示

- ▶ **⚠ 危險：請勿將您的手或手指放在鋸片附近或其路徑上。**一不小心或滑動，均可能讓您的手靠近鋸片而造成嚴重的人身傷害。
- ▶ **將加工件推向鋸片時請務必與旋轉方向相反。**若以和鋸片在鋸台上旋轉的方向相同之方向推入加工件，均可能使加工件及您的手被鋸片拉過去。
- ▶ **在劈鋸作業時切勿使用角度量規推送加工件，且搭配角度量規進行交叉切割時請勿用碎片護欄作為長度擋塊。**同時用碎片護欄及角度量規會增加鋸片卡住及反彈的機會。
- ▶ **進行劈鋸作業時，請務必讓加工件完全抵住護欄，並從護欄與鋸片間推送加工件。**當護欄與鋸片間的距離小於150 mm時請使用推桿，當距離小於50 mm時則請使用推塊。「作業協助」裝置可讓您的手與鋸片保持安全距離。
- ▶ **請僅使用製造商提供或依說明製作的推桿。**此推桿可讓手與鋸片保持足夠的距離。
- ▶ **請勿使用損壞或切斷的推桿。**損壞或切斷的推桿可能會斷掉而讓您的手滑到鋸片中。
- ▶ **請勿「徒手」進行任何操作。**請務必使用碎片護欄或角度量規進行加工件定位與導引。「徒手」指用手代替碎片護欄或角度量規支撐或引導加工件。徒手鋸切會造成不對齊、卡住或反彈。
- ▶ **請勿靠近接近轉動中的鋸片。**嘗試接觸加工件時可能會意外與移動中的鋸片接觸。

- ▶ 針對長且／或寬的加工件請在鋸台後方及／或兩側使用輔助工作件支撐裝置使其保持水平。長且／或寬的加工件易在鋸台邊緣處翻覆，造成失控、鋸片卡住及反彈。
- ▶ 請以穩定的節奏推送加工件。請勿彎折、扭曲或左右搖動加工件。若發生卡住的情況，請立即將工具關閉，把電源拔掉後排除卡住的情況。鋸片被加工件卡住為造成反彈或使馬達空轉。
- ▶ 請勿在鋸片運作時將切掉的材料去除。這些材料可能會卡在護欄間或鋸片內而將您的手指拉向鋸片。移除材料前請關閉鋸片並等後其完全停止。
- ▶ 在劈鋸厚度低於2 mm的加工件時，請在鋸台上方使用輔助護欄。較薄的加工件可能會落到碎片護欄底下而造成反彈。

#### 反彈原因與相關警告

反彈是加工件因擠壓、卡住的鋸片或加工件的切割線與鋸片不對齊，或部分加工件卡在鋸片與碎片護欄或其他固定物間所造成的情況。

通常在反彈時，加工件會被鋸片的後段從鋸台上升起並朝操作員飛過來。

反彈是不當使用電鋸及／或操作程序（條件）不正確所造成的結果。採取以下適當預防措施，則可避免此一情況。

- ▶ 請勿站在鋸片的延伸線上。隨時站在鋸片旁有護欄的那一側。反彈會使加工件高速飛向站在鋸片延伸線上的人員。
- ▶ 請勿從鋸片後方拉動或支撐加工件。如此可能會意外接觸鋸片或因反彈而將手指拉進鋸片中。
- ▶ 請勿將切割中的加工件朝旋轉中的鋸片壓。將加工件朝鋸片壓會造成卡住的情況或反彈。
- ▶ 將護欄與鋸片保持平行。未校準的護欄會將加工件朝鋸片擠壓而造成反彈。
- ▶ 進行非穿透式切割如開槽口時，請使用羽毛球引導加工件進入鋸台與護欄。羽毛球有助於在反彈時控制加工件。
- ▶ 支撐控制板以降低鋸片卡住及發生反彈的風險。大型控制板可能因其本身的重量而下垂。支撐裝置必須位於控制板懸在鋸台外的部分之下方。
- ▶ 切割扭曲、交錯、捲曲或無垂直邊緣可使用角度量規或沿護欄引導之加工件時請特別小心。捲曲、交錯或扭曲的加工件會不穩定並造成鋸片不對齊、卡住及反彈的情況。
- ▶ 請勿以垂直或水平堆疊的方式一次切割多個加工件。鋸片會推起多個加工件而造成反彈。
- ▶ 當在加工件中重新啟動鋸片時，請將鋸片與切割線對齊讓鋸齒不會卡在材料中。若鋸片卡住，可能會使加工件升起而在鋸片重新啟動時造成反彈。
- ▶ 請保持鋸片清潔、銳利並有充足的鋸齒量。切勿使用扭曲的鋸片或有破損之鋸牙的鋸片。尖銳且鋸齒量足的鋸片可降低卡住、空轉及反彈的情況。

#### 圓鋸台操作程序警示

- ▶ 拆卸鋸台插件、更換鋸片或調整劈刀或刀片防護裝置及機器無人操作時，請關閉圓鋸台並拔掉電池組。採取預防措施有助於避免意外。

- ▶ 請勿將運作中的圓鋸台處於無人管理的狀態。請將其關閉並等到其完全停住後再離開。運轉中但無人管理的鋸片會有意外風險。
- ▶ 請將圓鋸台放在光線充足且水平的區域，讓您能有穩定站立的空間。其應安裝在能讓您有足夠空間控制您加工件的區域中。狹窄、陰暗且不平坦且失滑的地面容易造成意外。
- ▶ 請常清潔並清除鋸台下方及（或）塵屑收集裝置中的鋸屑。堆積的鋸屑具易燃性，可能會自燃。
- ▶ 圓鋸台必須妥善固定。未妥善固定的圓鋸台可能會移動或翻覆。
- ▶ 在啟動圓鋸台前請將工具、木塊等從鋸台上移開。否則可能會造成分心或有卡住的危險。
- ▶ 請務必使用具備正確尺寸和心軸形犬（鑽石或圓形）的鋸片。不符合鋸片安裝硬體的刀片在運轉時將會偏離中心，進而導致失控。
- ▶ 請勿使用損壞或不正確的鋸片安裝工具如法蘭、鋸片墊片、螺栓或螺帽等。這些安裝工具是針對您的鋸台專門設計，能確保其運作安全與性能。
- ▶ 請勿站在圓鋸台上，請勿用其當作踏腳台。若工具翻覆或不小心接觸到切割工具，會造成嚴重的傷害。
- ▶ 安裝鋸片時請確認其轉動的方向正確。請勿在圓鋸台上使用研磨輪、鋼絲刷或砂磨輪。未妥當安裝鋸片或使用非建議之配件均會造成嚴重受傷。

#### 其他安全注意事項

- ▶ 安裝鋸片時務必穿戴防護手套。人員可能有受傷之虞。
- ▶ 請勿使用高合金快速鋼（HSS）材質的鋸片。此類鋸片容易折斷。
- ▶ 根據本說明書中以及本電動工具上載述的技術數據，選擇合適的鋸片。必須選用通過 EN 847-1 認證而且具有此一認證標示的鋸片。
- ▶ 操作工具時一定要使用工作桌嵌件。工作桌嵌件如已故障，請更換之。少了完好的工作桌嵌件，您可能會被鋸片割傷。
- ▶ 作業區請保持整潔。複合材質是極具危險性的材質。輕質合金粉塵可能會起火或爆炸。
- ▶ 請您根據欲進行加工的材料，選用合適的鋸片。
- ▶ 只能使用由本電動工具製造商推薦且適用於加工材料的鋸片。
- ▶ 唯有在鋸片已處於運作狀態下，才可將工件移過去進行加工。否則如果鋸片卡在工件中，會有反彈的危險。
- ▶ 如果充電電池損壞了，或者未按照規定使用充電電池，充電電池中會散發出有毒蒸氣。充電電池可能起火或爆炸。工作場所必須保持空氣流通，如果身體有任何不適必須馬上就醫。充電電池散發的蒸氣會刺激呼吸道。
- ▶ 切勿拆開充電電池。可能造成短路。
- ▶ 尖銳物品（例如釘子或螺絲起子）或是外力皆有可能造成充電電池損壞。進而導致內部短路而發生電池起火、冒煙、爆炸或過熱等事故。
- ▶ 僅可使用產品的原廠充電電池。如此才可依照產品提供過載保護。



保護充電電池免受高溫（例如長期日照）、火焰、污垢、水液和濕氣的侵害。有爆炸及短路之虞。

## 符號

以下符號可以幫助您正確地使用本電動工具。請牢記各符號和它們的代表意義。正確了解各符號代表的意思，可以幫助您更有把握更安全地操作本電動工具。

### 符號和它們的代表意義



當電動工具運轉時，切勿把手伸進鋸切範圍內。手若觸碰鋸片有被劃傷的危險。



請佩戴防塵面罩。



請佩戴耳罩。工作噪音會損壞聽力。



請佩戴護目鏡。

**3 601 M44 000**  
**3 601 M44 0K0**  
**3 601 M44 040**

請注意鋸片尺寸。鋸片上的內孔直徑必須和工具主軸完全吻合，不能有空隙。如果必須使用異徑管，則應注意：異徑管尺寸必須與鋸片主體厚度、鋸片內孔直徑以及工具主軸直徑相配。請儘可能使用鋸片隨附的異徑管。



**3 601 M44 0B0**

鋸片直徑必須與符號上的數值相符。



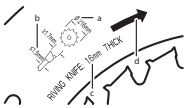
**3 601 M44 000**  
**3 601 M44 0K0**  
**3 601 M44 040**

**a** 鋸片直徑的最大容許值是 216 mm。

**b** 更換鋸片時請注意：鋸切寬度不得小於 1.7 mm 且鋸片主體的厚度不得大於 1.5 mm。否則劈開楔有卡在工件中之虞。

**c** 劈開楔的厚度是 1.6 mm。

**d** 鋸齒的鋸切方向（即鋸片上的箭頭指示方向）必須與劈開楔上的箭頭指示方向一致。



### 符號和它們的代表意義

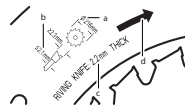
**3 601 M44 0B0**

**a** 鋸片直徑的最大容許值是 216 mm。

**b** 更換鋸片時請注意：鋸切寬度不得小於 2.3 mm 且鋸片主體的厚度不得大於 2.1 mm。否則劈開楔有卡在工件中之虞。

**c** 劈開楔的厚度是 2.2 mm。

**d** 鋸齒的鋸切方向（即鋸片上的箭頭指示方向）必須與劈開楔上的箭頭指示方向一致。



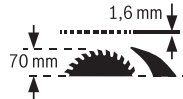
**3 601 M44 000**

劈開楔的厚度是 1.6 mm。

**3 601 M44 0K0**

能處理的最大工件高度是 70 mm。

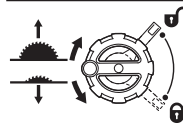
**3 601 M44 040**



**3 601 M44 0B0**

劈開楔的厚度是 2.2 mm。

能處理的最大工件高度是 70 mm。



**左邊：**  
為您指示降低（進入搬運位置）及升高（進入工作位置）鋸片時手搖桿應旋轉的方向。

**右邊：**  
為您指示想要固定鋸片時制動桿應設定的位置以及調整垂直斜鋸角時制動桿應設定的位置（鋸片可翻轉）。



CE 標章代表製造商認證此電動工具符合歐盟現行指令。

## 產品和功率描述



請詳讀所有安全注意事項和指示。如未遵守安全注意事項與指示，可能導致火災、人員遭受電擊及/或重傷。請留意操作說明書中最前面的圖示。

### 依規定使用機器

本電動工具適合以站立的方式在軟木和硬木，塑合板和纖維板上進行縱向與橫向的直線鋸切。此時可加工的水平斜鋸角為  $-30^\circ$  至  $+30^\circ$ ，可加工的垂直斜鋸角為  $0^\circ$  至  $45^\circ$ 。

安裝合適的鋸片後，也可以鋸切鋁製型材和塑膠。

### 插圖上的機件

機件的編號和電動工具詳解圖上的編號一致。

(1) 鋸片與平行擋塊之間的距離刻度尺

- (2) 角度擋塊  
 (3) 護罩  
 (4) 劈開楔  
 (5) 平行擋塊  
 (6) 鋸台加寬件  
 (7) 角度擋塊庫  
 (8) 安裝孔  
 (9) 環形扳手 (23 mm ; 13 mm)  
 (10) 內六角扳手 (5 mm)  
 (11) 用以收納護罩的托架  
 (12) 推棒  
 (13) 鋸台加寬件的緊固握把  
 (14) 手轉輪  
 (15) 用來升高和降低鋸片的手搖柄  
 (16) 電源開關  
 (17) 充電電池<sup>a)</sup>  
 (18) 45° 斜鋸角擋塊 (垂直)  
 (19) 斜鋸角刻度尺 (垂直)  
 (20) 制動桿，用來調整垂直方向的斜角鋸切角度  
 (21) 角度指針 (垂直)  
 (22) 0° 斜鋸角擋塊 (垂直)  
 (23) 鋸台  
 (24) 平行擋塊夾力校正螺栓  
 (25) 鋸台嵌件  
 (26) 鋸片  
 (27) 平行擋塊的導槽  
 (28) 充電電池解鎖按鈕<sup>a)</sup>  
 (29) 提把  
 (30) 角度擋塊的導槽  
 (31) 吸塵轉接頭  
 (32) 鋸台上供平行擋塊使用的 V 形導槽  
 (33) 地板網柵  
 (34) 地板網柵的鎖定螺栓  
 (35) 夾緊桿 / 夾具的標記  
 (36) 劈開楔的夾緊桿  
 (37) 劈開楔的定位插銷  
 (38) 鋸台嵌件的鎖定螺栓  
 (39) 護罩的夾緊桿  
 (40) 護罩的導向銷  
 (41) 平行擋塊的緊固握把  
 (42) 平行擋塊的 V 形導向件  
 (43) 輔助平行擋塊  
 (44) 「輔助平行擋塊」固定套件  
 (45) 角度擋塊的導引軌  
 (46) 下方鋸片護蓋  
 (47) 下方鋸片護蓋的卡舌  
 (48) 用來抬起鋸台嵌件的把手孔  
 (49) 迫緊螺母  
 (50) 主軸制動桿  
 (51) 緊固法蘭  
 (52) 配接法蘭  
 (53) 工具主軸  
 (54) 偏斜鋸角的鎖定旋鈕 (水平)  
 (55) 角度擋塊上的角度指針  
 (56) 刻度指示器  
 (57) 鋸台上的距離指針  
 (58) 可調整 0° 擋塊的十字螺栓  
 (59) 角度指針的固定螺栓 (垂直)  
 (60) 可調整 45° 擋塊的十字螺栓  
 (61) 用以將鋸片調成平行的前方內六角螺栓 (5 mm)  
 (62) 用以將鋸片調成平行的後方內六角螺栓 (5 mm)  
 (63) 固定鋸台之距離指針的螺栓  
 (64) 用以將平行擋塊調成平行的內六角螺栓 (5 mm)  
 (65) 固定平行擋塊之距離指針的螺栓  
 (66) 鋸台嵌件的校正螺栓  
 (67) 推棒庫  
 (68) 內六角扳手庫  
 (69) 環形扳手庫

a) 圖文中提到的配件，並不包含在基本的供貨範圍中。本公司的配件清單中有完整的配件供應項目。

## 技術性數據

桌上型圓鋸機		GTS 18V-216	GTS 18V-216
產品機號		3 601 M44 000 3 601 M44 040 3 601 M44 0K0	3 601 M44 0B0
額定電壓	V=	18	18
無負載轉速 <sup>A)</sup>	次 / 分	4500	4500
起動限流器		●	●
重量符合 EPTA-Procedure 01:2014 <sup>B)</sup>	kg	20.5-21.6	20.5-21.6
充電狀態下的建議環境溫度	°C	0...+35	0...+35

桌上型圓鋸機		GTS 18V-216	GTS 18V-216
操作狀態下的容許環境溫度 <sup>C)</sup> 以及存放狀態下	°C	-20...+50	-20...+50
相容的充電電池		GBA 18V... ProCORE18V...	GBA 18V... ProCORE18V...
為確保最大效能而建議使用的充電電池		ProCORE18V... ≥ 5.5 Ah	ProCORE18V... ≥ 5.5 Ah
建議使用的充電器		GAL 18... GAX 18... GAL 36...	GAL 18... GAX 18... GAL 36...
尺寸 (包含可拆式機件)			
寬度 x 深度 x 高度	mm	658 x 332 x 553	658 x 332 x 553
適用鋸片的尺寸			
鋸片直徑	mm	216	216
鋸片主體的厚度	mm	<1.5	1.5-2.1
最小鋸齒厚度/鋸齒斜度	mm	>1.7	>2.3
孔徑	mm	30	25.4

A) 於 20-25 °C 配備充電電池 ProCORE18V 12.0Ah 時測得。

B) 視所使用的充電蓄電池而定

C) 溫度 < 0 °C 時，性能受限

最大工件尺寸：(參見「最大工件尺寸」，頁 113)

數值可能因產品而異，並受使用條件以及環境條件影響。進一步資訊請見 [www.bosch-professional.com/wac](http://www.bosch-professional.com/wac)。

## 充電電池

**Bosch** 亦販售不含充電電池的充電式電動工具。可以從外包裝看出電動工具的供貨範圍是否包括電池。

### 為充電電池進行充電

- ▶ 只能選用技術性數據裡所列出的充電器。僅有這些充電器適用於電動工具所使用的鋰離子充電電池。

**提示：**由於國際運輸規定，出貨時鋰離子充電電池已部分充電。初次使用電動工具之前，請先將充電電池充飽電以確保充電電池蓄滿電力。

### 安裝充電電池

將已充飽電的充電電池推至充電電池固定座內，直到卡緊。



**Bosch** 建議您使用容量至少 3.0 Ah 的充電電池。

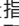
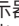
### 取出充電電池

若要取出充電電池，請按解鎖鈕，然後將充電電池抽出。**不可以強行拉出充電電池。**

本充電電池具備了雙重鎖定功能，即使不小心按壓了充電電池解鎖按鈕，充電電池也不會從機器中掉落出來。固定彈簧會把充電電池夾緊在機器中。

## 充電電池的電量指示器

充電電池的電量指示器透過綠色 LED 燈告知充電電池的目前電量。基於安全顧慮，務必在電動工具完全靜止時才能檢查充電電池的電量。

按一下電量指示器按鈕  或 , 即可顯示目前的電量。即使已取出充電電池，此項功能仍可正常運作。

按壓電量顯示按鈕後，LED 燈若未亮起，即表示充電電池故障，必須予以更換。

### 充電電池型號 GBA 18V...



LED	容量
3 顆綠燈持續亮起	60-100 %
2 顆綠燈持續亮起	30-60 %
1 顆綠燈持續亮起	5-30 %
1 顆綠燈呈閃爍狀態	0-5 %

### 充電電池型號 ProCORE18V...



LED	容量
5 顆綠燈持續亮起	80-100 %
4 顆綠燈持續亮起	60-80 %
3 顆綠燈持續亮起	40-60 %
2 顆綠燈持續亮起	20-40 %
1 顆綠燈持續亮起	5-20 %

LED	容量
1 顆綠燈呈閃爍狀態	0-5 %

## 如何正確地使用充電電池

妥善保護充電電池，避免濕氣和水分滲入。

充電電池必須儲存在 -20 °C 至 50 °C 的環境中。夏天不可以把充電電池擱置在汽車中。

偶爾用柔軟、乾淨且乾燥的毛刷清潔充電電池的通氣孔。

充電後如果充電電池的使用時間明顯縮短，代表充電電池已經損壞，必須更換新的充電電池。

請您遵照廢棄物處理相關指示。

## 安裝

▶ 在電動工具上進行任何維護的工作（例如維修，更換工具等）以及搬運和儲存電動工具之前，都必須電動工具中取出充電電池。若是不小心觸動起停開關，可能造成人員受傷。

### 供貨範圍

初次使用本電動工具之前，先檢查以下各部件是否包含在供貨範圍中：

- 桌上型圓鋸機包含已裝上的鋸片 (26) 以及劈開楔 (4)
- 角度擋塊 (2)
- 平行擋塊 (5)
- 輔助平行擋塊 (43)
- 「輔助平行擋塊」固定套件 (44) (2 顆固定螺栓、2 個墊片、2 個蝶翼螺母)
- 護罩 (3)
- 內六角扳手 (10)
- 環形扳手 (9) 與一字螺絲起子頭
- 推棒 (12)
- 鋸台嵌件 (25)

**提示：**檢查電動工具是否有壞損之處。

使用電動工具之前，必須仔細檢查防護裝置或輕微損壞的零件是否仍然運作正常。檢查活動零件是否功能正常、沒有被卡死，以及是否有任何零件有否受損。所有零件都必須安裝正確，並且符合規定以確保機器能夠正常運作。

損壞的防護裝置和零件必須按照規定交給合格的專業修理廠修理或更換。

除了供貨範圍中的部件之外，您還須使用以下的工具：

- 十字螺栓起子
- 量角規

### 安裝各部件

- 小心地從包裝中取出所有隨附零件。
- 拆除電動工具和隨附配件上的所有包裝材料。
- 用環形扳手 (9) 的尖端將鎖定螺栓 (34) 沿「解鎖」旋轉方向轉到底，然後打開地板網柵 (33)

(請參考圖 a)。

請拆除馬達缸體下方的包裝材料。

直接固定在機殼上的機件如下：推棒 (12)、環形扳手 (9)、內六角扳手 (10)、平行擋塊 (5)、角度擋塊 (2)、吸塵轉接頭 (31)、輔助平行擋塊 (43) 及其固定套件 (44)、護罩 (3)。

- 若您需要使用其中任一機件，請小心地將它從收納位置上取出。

**將劈開楔移至正確工作位置 (請參考圖 b1-b2)**

**提示：**必要時，請在移至正確工作位置前，清潔所有所有待安裝的零部件。

- 將手搖桿 (15) 順時針轉到底，讓鋸片 (26) 升至鋸台上方可到達的最高位置。
- 沿順時針方向鬆開夾緊桿 (36)，直到夾緊桿朝上。
- 將劈開楔 (4) 往夾緊桿 (36) 方向移至能夠往上拉的位置。
- 將劈開楔往上拉到底，使它定位在鋸片正中間上方位置。
- 讓兩根插銷 (37) 卡入至劈開楔上的下方開孔中，然後將夾緊桿 (36) 重新拉緊。
- 夾具和夾緊桿 (36) 上的標記 (35) 必須如圖所示對齊。

**安裝鋸台嵌件 (請參考圖 c)**

- 將鋸台嵌件 (25) 放在工具槽的劈開楔上 (4)。
- 用環形扳手 (9) 的尖端將鎖定螺栓 (38) 沿「上鎖」旋轉方向轉到底。

鋸台嵌件的前端 (25) 必須與鋸台齊平或比它略低一些，而後端則必須與鋸台齊平或比它略高一些。

**安裝護罩 (請參考圖 d1-d2)**

**提示：**劈開楔必須位在鋸片正中間上方的最高位置，您才能安裝護罩 (請參考圖示 b2)。當劈開楔位於最低位置時 (即交貨狀態或鋸切溝槽時的位置)，請勿安裝護罩 (請參考圖示 b1)。

- 鬆開夾緊桿 (39) 然後將護罩 (3) 從托架 (11) 中取出。
- 一隻手固定住護罩 (3) 的鋸片防護裝置 (上方金屬導軌)，然後用另一隻手夾緊桿 (39) 往上扳。
- 將導向銷 (40) 往後推入劈開楔 (4) 的溝槽內。
- 將護罩 (3) 往下移，使鋸片防護裝置 (上方金屬導軌) 與鋸台 (23) 表面平行。
- 將夾緊桿 (39) 往下壓。必須感覺到並聽到夾緊桿卡入，這才表示護罩 (3) 已確實裝好並且固定妥當。

▶ 每次使用前都要檢查護罩是否活動自如。如果護罩因無法自由移動而無法立即閉合，切勿使用電動工具。

**安裝平行擋塊 (請參考圖 e)**

平行擋塊 (5) 可以設置在鋸片的左邊或是右邊。

- 鬆開平行擋塊 (5) 的緊握把 (41)。V 形導向件 (42) 將隨之鬆開。
- 請先將平行擋塊的 V 形導向件裝入至鋸台導槽 (32) 內。接著再調整平行擋塊在鋸台前方導槽

(27) 中的位置。

現在您可以隨心所欲地移動平行擋塊。

- 若要固定平行擋塊，請將緊握把 (41) 往下壓。

#### 安裝輔助平行擋塊 (請參考圖 f)

鋸切細長形工件及鋸切垂直斜鋸角時，必須在平行擋塊 (5) 上安裝輔助平行擋塊 (43)。輔助平行擋塊可視需要安裝在平行擋塊 (5) 的左邊或右邊。

安裝時，請您使用「輔助平行擋塊」固定套件 (44) (2 顆固定螺栓、2 個墊片、2 個蝶翼螺母)。

- 將固定螺栓穿過平行擋塊 (5) 的側面開孔後推入。
- 此時螺栓頭可做為導引輔助平行擋塊之用。
- 將輔助平行擋塊 (43) 推至固定螺栓的螺栓頭上方。
- 將墊片套在固定螺栓上，利用蝶翼螺母旋緊這顆螺栓。

#### 安裝角度擋塊 (請參考圖 g)

- 將角度擋塊 (2) 的導引軌 (45) 套進鋸台上專門為其設置的其中一個導槽 (30) 內。

#### 固定式安裝或活動式安裝

- ▶ 為了能夠穩定地操作機器，正式使用機器之前，必須把電動工具固定在平坦、穩固的工作平面上 (例如工作桌)。

#### 安裝在工作平面上 (請參考圖 h)

- 使用合適的夾鉗把電動工具固定在工作平面上。必須利用安裝孔 (8) 來進行固定。

#### 安裝在博世工作台上 (請參考圖 i)

博世工作台 (例如 GTA 560) 擁有可調整高度的桌腳，使電動工具能夠穩固站立在任何底座上。

- ▶ 請詳讀工作桌附帶的所有警告指示和說明。若未遵循警告指示和說明可能遭受電擊、發生火災並/或造成嚴重傷害。
- ▶ 安裝電動工具之前必須先正確地組裝工作台。重點是要正確地組裝工作台，以避免工作台倒塌。
- 把電動工具調整至搬運位置並將其安裝在工作台上。

#### 吸除廢塵/料屑

含鉛顏料、部分木材種類、礦石和金屬的加工廢塵有害健康。機器操作者或施工現場附近的人員如果接觸、吸入這些廢塵，可能會引發過敏反應或感染呼吸道疾病。

某些塵埃 (例如加工橡木或山毛櫸的廢塵) 可能致癌，特別是與處理木材的添加劑 (例如木材的防腐劑等) 結合之後。唯有受過專業訓練的人才能夠進行含石棉物料的加工。

- 儘可能使用適合物料的吸塵裝置。
- 工作場所要保持空氣流通。
- 建議佩戴 P2 過濾等級的口罩。

請留意並遵守貴國的物料加工相關法規。

- ▶ 避免讓工作場所堆積過多的塵垢。塵埃容易被點燃。

廢塵/料屑吸集裝置可能被廢塵、廢屑或工件殘屑堵塞。

- 關閉電動工具並取出充電電池。
- 請您稍候，讓鋸片完全停止轉動。
- 找出造成堵塞的原因，並且排除障礙。
- ▶ 為了避免鋸切鋁材時釀成火災，請將下方鋸片護蓋清除乾淨並且不要使用集塵袋。

#### 清潔下方鋸片護蓋 (請參考圖 j)

您可打開 (46) 下方鋸片護蓋，以便去除工件碎片及大塊鋸屑。

- 關閉電動工具並從電動工具中取出充電電池。
- 請您稍候，讓鋸片完全停止轉動。
- 將電動工具側傾。
- 打開地板網柵 (33) (請參考圖 a)。
- 稍微相互拉動下方鋸片護蓋的卡舌 (47)，然後掀開下方鋸片護蓋 (46)。
- 清除工件的碎塊和鋸屑。
- 重新關上下方鋸片護蓋 (46)，直到卡舌 (47) 卡入。
- 關閉地板網柵 (33)。
- 把電動工具調整至工作位置。

#### 外接的吸塵裝備 (請參考圖 k)

- 將合適的吸塵器軟管牢牢套入吸塵轉接頭 (31) 中。

根據工件材質選擇合適的吸塵器。

吸集可能危害健康、可能致癌或乾燥的廢塵時，務必使用特殊吸塵器。

#### 更換鋸片 (請參考圖 l1-l4)

- ▶ 在電動工具上進行任何維護的工作 (例如維修，更換工具等) 以及搬運和儲存電動工具之前，都必須從電動工具中取出充電電池。若是不小心觸動起停開關，可能造成人員受傷。
- ▶ 安裝鋸片時務必穿戴防護手套。人員可能有受傷之虞。
- ▶ 所使用的鋸片的最高許可轉速必須高于電動工具的無負載轉速。
- ▶ 根據本說明書中以及本電動工具上載述的技術數據，選擇合適的鋸片。必須選用通過 EN 847-1 認證而且具有此一認證標示的鋸片。
- ▶ 只能使用由本電動工具製造商推薦且適用於加工材料的鋸片。
- ▶ 請勿使用高合金快速鋼 (HSS) 材質的鋸片。此類鋸片容易折斷。

#### 拆卸鋸片

- 打開夾緊桿 (39) 然後將護罩 (3) 從劈開楔 (4) 上的溝槽拉出。
- 用環形扳手 (9) 的尖端將鎖定螺栓 (38) 沿「解鎖」旋轉方向轉到底，然後將鋸台嵌件從工具槽 (25) 抬起。把手孔 (48) 可用來稍微抬起。
- 將手搖桿 (15) 順時針轉到底，讓鋸片 (26) 升至鋸台上方可到達的最高位置。
- 用環形扳手 (9) 旋轉迫緊螺母 (49) 並同時拉起主軸制動桿 (50) 直到卡緊為止。

- 繼續拉住主軸制動桿，並沿逆時針方向旋出迫緊螺母。
- 取下緊固法蘭 (51)。
- 取出鋸片 (26)。

#### 安裝鋸片

- 必要時，請在安裝前清潔所有待安裝的零部件。
- 將新的鋸片裝到工具主軸 (53) 的配接法蘭 (52) 上。

**提示：**請勿使用尺寸過小的鋸片。鋸片與劈開楔之間的最大徑向間隙為 3 - 8 mm。

- ▶ **安裝時請注意，鋸齒的鋸切方向（即鋸片上的箭頭指示方向）必須與劈開楔上的箭頭指示方向一致！**
- 將固定法蘭 (51) 和迫緊螺母 (49) 裝上。
- 用環形扳手 (9) 旋轉迫緊螺母 (49) 並同時拉起主軸制動桿 (50) 直到卡緊為止。
- 將迫緊螺母順時針旋緊。
- 將鋸台嵌件 (25) 放在工具槽的劈開楔上 (4)。用環形扳手 (9) 的尖端將鎖定螺栓 (38) 沿「上鎖」旋轉方向轉到底。
- 重新裝上護罩 (3)。

## 操作

- ▶ **在電動工具上進行任何維護的工作（例如維修，更換工具等）以及搬運和儲存電動工具之前，都必須電動工具中取出充電電池。若是不小心觸動起停開關，可能造成人員受傷。**

### 鋸片的搬運位置和工作位置

#### 搬運位置

- 拆下護罩 (3)、取出鋸台嵌件 (25) 並將劈開楔 (4) 移至最低位置。重新裝入鋸台嵌件 (25)。
- 逆時針旋轉手搖桿 (15)，直到鋸片 (26) 的鋸齒沈入至鋸台 (23) 下。
- 將鋸台加寬件 (6) 往內完全推入。  
將緊固握把 (13) 往下壓。鋸台加寬件將因此固定。

#### 工作位置

- 將劈開楔 (4) 移至鋸片正中間上方的最高位置，裝入鋸台嵌件 (25) 然後再安裝護罩 (3)。
- 順時針旋轉手搖桿 (15)，直到鋸片 (26) 的上方鋸齒位於工件上方約 3 - 6 mm 的位置。

### 加大鋸台

如果工件又長又重，必須在它懸空的末端底下墊上襯墊或做好支撐。

#### 鋸台加寬件（請參考圖 A）

- 鋸台加寬件 (6) 可讓鋸台 (23) 向右加寬。
- 將鋸台加寬件的緊固握把 (13) 往上拉到底。
- 將鋸台加寬件 (6) 往外拉至所需長度。
- 將緊固握把 (13) 往下壓。鋸台加寬件將因此固定。

### 調整垂直與水平斜鋸角

為確保精準鋸切，頻繁使用之後必須檢查電動工具的基本設定，必要時須適度調整。

#### 調整垂直斜鋸角（鋸片）（請參考圖 B）

垂直斜鋸角的調整範圍在 0° 至 45° 之間。

- 逆時針旋轉制動桿 (20)，以便將它鬆開。

**提示：**當制動桿完全鬆開的那一刻，鋸片會因為地心引力而傾斜約 30° 左右。

- 沿著連桿拉起或按壓手轉輪 (14)，直到角度指針 (21) 指在所需的垂直斜鋸角上。
- 讓手轉輪保持在這個位置上，然後將制動桿 (20) 重新旋緊。

為能快速準確地調整至垂直方向基本角度 0° 和 45°，出貨時已裝上調好的擋塊 ((22)、(18))。

#### 調整水平斜鋸角（角度擋塊）（請參考圖 C）

水平斜鋸角的調整範圍在 30°（左側）與 30°（右側）之間。

- 鎖定旋鈕 (54) 若已鎖上，請將它鬆開。
- 轉動角度擋塊，直到角度指針 (55) 指在所需的斜鋸角上。
- 將鎖定旋鈕 (54) 重新鎖緊。

### 調整平行擋塊

平行擋塊 (5) 可以設置在鋸片的左邊（黑色刻度尺）或右邊（銀色刻度尺）。刻度指示器 (56) 裡的標線所指位置即是，鋸片與平行擋塊之間的目前距離刻度 (1)。

依照您的需要，將平行擋塊放置到鋸片的任一側（參見「安裝平行擋塊（請參考圖 e）」，頁 110）。

#### 調整平行擋塊

##### 不拉出鋸台

- 鬆開平行擋塊 (5) 的緊固握把 (41)。移動平行擋塊，使刻度指示器 (56) 裡的標線指在所需的鋸片間隔距離上。  
若不拉出鋸台，則應以銀色刻度尺 (1) 下方標示的數字為準。
- 若要固定位置，請將緊固握把 (41) 重新往下壓。

#### 調整平行擋塊

##### 拉出鋸台（請參考圖 D）

- 把平行擋塊放在鋸片的右側。  
移動平行擋塊，使刻度指示器 (56) 裡的標線指在下方刻度尺的 29 cm 位置上。  
若要固定位置，請將緊固握把 (41) 重新往下壓。
- 將鋸台加寬件的緊固握把 (13) 往上拉到底。
- 將鋸台加寬件 (6) 往外拉，使距離指示器 (57) 指在所需的鋸片間隔距離上，請以上方刻度尺為準。
- 將緊固握把 (13) 往下壓。  
鋸台加寬件將因此固定。

### 調整輔助平行擋塊（請參考圖 E）

鋸切細長形工件及鋸切垂直斜鋸角時，必須在平行擋塊 (5) 上安裝輔助平行擋塊 (43)。



輔助平行擋塊可視需要安裝在平行擋塊 (5) 的左邊或右邊。

鋸切時工件可能卡在平行擋塊與鋸片之間，往上移動的鋸片會鈎住該工件並將它向外拋出。因此要調整好輔助平行擋塊，須讓導引末端位在鋸片的最前端鋸齒與劈開楔前緣之間。

- 其做法是：鬆開固定套件 (44) 的所有蝶翼螺母，並移動輔助平行擋塊，直到只剩前面的兩顆螺栓仍發揮固定的作用。
- 重新旋緊蝶翼螺母。

### 調整劈開楔

劈開楔 (4) 可防止鋸片 (26) 卡在鋸縫裡。如果鋸片被夾在工件中可能產生反彈。

因此要隨時注意，是否已正確地調整好劈開楔：

- 鋸片與劈開楔之間的最大徑向間隙為 3 - 8 mm。
- 劈開楔的厚度必須小於鋸縫寬度，並且大於鋸片主體的厚度。
- 劈開楔必須永遠與鋸片位於同一直線上。
- 就一般的切割線而言，劈開楔必須儘可能位在最高位置。

### 調整劈開楔高度 (請參考圖 F)

鋸切凹槽時您必須調整劈開楔的高度。

- ▶ **使用本電動工具進行挖槽或壓鉚時，請務必搭配適當的防護裝置 (例如隧道式防護罩、防彈止回羽毛板)。**
- 打開夾緊桿 (39) 然後將護罩 (3) 從劈開楔 (4) 上的溝槽拉出。為避免防護罩損壞，請將它收納在機殼上的專用托架 (11) 裡 (另請參考圖 O2)。
- 將手搖桿 (15) 順時針轉到底，讓鋸片 (26) 升至鋸台上方可到達的最高位置。
- 沿順時針方向鬆開夾緊桿 (36)，直到夾緊桿朝上。
- 將劈開楔從插銷 (37) 上拔出 (夾緊桿 (36) 需稍微往外拉)，然後將劈開楔 (4) 向下推到底。
- 讓兩根插銷 (37) 卡入至劈開楔上的上方開孔中，然後將夾緊桿 (36) 重新拉緊。夾具和夾緊桿 (36) 上的標記 (35) 必須如圖所示對齊。

### 操作機器

#### 啟動 (請參考圖 G1)

- 按壓電源開關 (16) 兩側往上拉，即可讓機器運轉。

#### 關閉 (請參考圖 G2)

- 將電源開關 (16) 往下按到底。

#### 防止未經授權的操作 (請參考圖 G3)

為防止未經授權的操作，您可使用掛鎖將電源開關 (16) 上鎖。

- 請將帶有長鈎環的掛鎖穿過電源開關 (16) 上的孔，然後將其上鎖。

### 作業注意事項

#### 一般性的鋸切指示

- ▶ **進行任何鋸切之前必須先確定鋸片絕對不會碰觸擋塊或其它機件。**
- ▶ **使用本電動工具進行挖槽或壓鉚時，請務必搭配適當的防護裝置 (例如隧道式防護罩、防彈止回羽毛板)。**
- ▶ **請勿使用本電動工具進行挖槽作業 (即工件上的凹槽未延伸至邊緣)。**

保護鋸片，以免受遭衝擊和碰撞。不可以側壓鋸片。

劈開楔必須與鋸片呈同一直線，以防止工件卡死。不可以加工已被拉扯移位的工件。為了能緊靠在平行擋塊上，工件至少必須具備一道筆直的邊緣。推棒一律要存放在電動工具上。

#### 操作者的位置 (請參考圖 H)

- ▶ **請勿站在鋸片的延伸線上。隨時站在鋸片旁有護欄的那一側。反彈會使加工件高速飛向站在鋸片延伸線上的人員。**
- 手掌、手指和手臂必須遠離轉動中的鋸片。

請遵照以下各項指示：

- 使用雙手握好工件並將工件牢牢地壓在鋸台上。
- 鋸切細長形工件及鋸切垂直斜鋸角時，請務必使用隨附的推棒 (12) 和輔助平行擋塊 (43)。

#### 最大工件尺寸

垂直斜鋸角	最大工件高度 [mm]
0°	70
45°	50

### 鋸切

#### 鋸切直線

- 將平行擋塊 (5) 調至所需的鋸切寬度。
- 將工件放到鋸台上、護罩 (3) 前方。
- 利用手搖桿 (15) 將鋸片升高或降低，使鋸片 (26) 的上方鋸齒位於工件上方約 3 - 6 mm 的位置。
- 啟動電動工具。
- 鋸切工件時必須施力均勻。如果用力過猛，鋸片的齒尖可能會過熱而造成工件受損。
- 關閉電動工具並等待鋸片完全停止轉動。

#### 鋸切垂直斜鋸角

- 將鋸片調整所需的垂直斜鋸角。鋸片若往左傾，則平行擋塊 (5) 必須位於鋸片的右邊。
- 相關工作步驟請遵循：(參見「鋸切直線」，頁 113)

#### 鋸切水平斜鋸角 (請參考圖 I)

- 請到角度擋塊 (2) 上，設定好所需的水平斜鋸角。
- 放上工件，請讓它貼靠角度擋塊 (2)。

- 利用手搖桿 (15) 將鋸片升高或降低，使上方鋸齒位於工件表面上方約 5 mm。
- 啟動電動工具。
- 一隻手將工件抵住角度擋塊，另一隻手放在鎖定旋鈕 (54) 上將之沿著導槽 (30) 慢慢往前推。
- 關閉電動工具並等待鋸片完全停止轉動。

### 檢查和調整基本設定

為確保精準鋸切，頻繁使用之後必須檢查電動工具的基本設定，必要時須適度調整。

檢查時不但要具備足夠的經驗，而且得使用特殊工具。

博世客戶服務中心能夠既快速又可靠地執行這項工作。

#### 調整垂直方向的 0°/45° 基本斜鋸角擋塊

- 把電動工具調整至工作位置。
- 調整鋸片的 0° 垂直斜鋸角。

- 拆卸護罩 (3)。

#### 檢查 (請參考圖 J1)

- 拆卸鋸台嵌件 (25) (參見「安裝鋸台嵌件 (請參考圖 c)」, 頁 110)。
- 請將量角規設為 90°，然後將它放置到鋸台 (23) 上。

量角規的柄部必須全長與鋸片 (26) 齊平。

#### 調整 (請參考圖 J2)

- 鬆開螺栓 (58)。於是您就能移動 0° 擋塊 (22) 了。
- 鬆開制動桿 (20)。
- 將手轉輪 (14) 推向 0° 擋塊，使量角規的柄部全長與鋸片齊平。
- 讓手轉輪保持在這個位置上，然後將制動桿 (20) 重新旋緊。
- 將螺栓 (58) 重新旋緊。
- 重新安裝 (25) (參見「安裝鋸台嵌件 (請參考圖 c)」, 頁 110)。

調整後，若角度指針 (21) 未與刻度尺 (19) 的 0° 記號呈一直線，請用一般市售十字螺絲起子鬆開螺栓 (59)，將角度指針對準 0° 記號。

請針對 45° 垂直斜鋸角，重複上述工作步驟 (鬆開螺栓 (60)；挪動 45° 擋塊 (18))。此時，不得重新調整角度指針 (21)。

#### 確認鋸片與角度擋塊導槽之間是否平行 (請參考圖 K)

- 把電動工具調整至工作位置。
- 拆卸護罩 (3)。

#### 檢查

- 用鉛筆標出從鋸台嵌件後面露出的第一顆左側鋸齒。
- 請將量角規設為 90°，然後將它靠在導槽 (30) 邊緣上。
- 移動量角規的柄部，讓它觸及做上記號的那顆鋸齒，然後記下鋸片與導槽之間的時間距離。
- 轉動鋸片，使做上記號的那顆鋸齒剛好露出在鋸台嵌件前方。

- 沿著導槽移動量角規，讓它解及做上記號的那顆鋸齒。

- 再度測量鋸片與導槽之間的距離。

這兩個測量值必須相同。

#### 調整

- 用隨附的內六角扳手 (10) 鬆開鋸台前方底下的內六角螺栓 (61) 以及鋸台後方底下的內六角螺栓 (62)。

- 小心地移動鋸片，使它與導槽 (30) 平行。

- 重新旋緊所有螺栓 (61) 和 (62)。

#### 調整鋸台的距離指示器 (請參考圖 L)

- 把平行擋塊放在鋸片的右側。移動平行擋塊，使刻度指示器 (56) 裡的標線指在下方刻度尺的 29 cm 位置上。若要固定位置，請將緊固握把 (41) 重新往下壓。
- 將緊固握把 (13) 往上完全提起，並將鋸台加寬件 (6) 往外拉到底。

#### 檢查

距離指示器 (57) 在上方刻度尺 (1) 上所指著的讀數必須與下方刻度尺 (1) 上刻度指示器 (56) 裡標線所指的數值相同。

#### 調整

- 將鋸台加寬件 (6) 往外拉到底。
- 用十字螺絲起子鬆開螺栓 (63)，然後將距離指示器 (57) 對準上方刻度尺 (1) 的 29 cm 記號。

#### 將平行擋塊調整成平行 (請參考圖 M)

- 把電動工具調整至工作位置。
- 拆卸護罩 (3)。
- 鬆開平行擋塊的緊固握把 (41)，然後將它移至與鋸片接觸為止。

#### 檢查

平行擋塊 (5) 必須全長接觸鋸片。

#### 調整

- 用隨附的內六角扳手 (10) 鬆開內六角螺栓 (64)。
- 小心地將平行擋塊 (5) 移動至全長接觸鋸片為止。
- 讓平行擋塊保持在這個位置上，然後將緊固握把 (41) 重新往下推。
- 將內六角螺栓 (64) 重新旋緊。

#### 調整平行擋塊的夾力

頻繁使用之後，平行擋塊 (5) 的夾力可能變小。

- 請將校正螺栓 (24) 一直旋緊至平行擋塊能夠重新牢牢固定在鋸台上為止。

#### 調整平行擋塊的刻度指示器 (請參考圖 M)

- 把電動工具調整至工作位置。
- 拆卸護罩 (3)。
- 從右側將平行擋塊 (5) 移至接觸鋸片為止。

#### 檢查

刻度指示器 (56) 的標線必須與刻度尺 (1) 的 0 mm 記號呈一直線。

#### 調整

- 請用十字螺絲起子鬆開螺栓 (65)，然後將標線對準 0 mm 記號。

## 調整鋸台嵌件的水平位置 (請參考圖 N)

### 檢查

鋸台嵌件的前端 (25) 必須與鋸台齊平或比它略低一些，而後端則必須與鋸台齊平或比它略高一些。

### 調整

- 用環形扳手 (9) 的尖端將校正螺柱 (66) 調至正確水平位置。

## 收納與搬運

### 收納機件 (請參考圖 O1-O2)

本電動工具也具備機件收納功能，您可以將某些機件直接固定在電動工具上。

- 將輔助平行擋塊 (43) 從平行擋塊 (5) 上鬆開。
- 將所有零散的機件插入至機殼上各自的專屬收納位置 (詳見下表)。

機件	收納位置
平行擋塊 (5)	翻轉 180 度，從下面掛在導引軌上，然後再將緊固握把 (41) 固定住
推棒 (12)	插進(67)庫
護罩 (3)	掛在托架 (11) 開口上，然後將夾緊桿 (39) 拉緊以便固定
內六角扳手 (10)	插進(68)庫
環形扳手 (9)	插進(69)庫
角度擋塊 (2)	插進(7)庫
輔助平行擋塊 (43)	推入平行擋塊 (5) 上的後方凹槽，並用蝶形螺柱旋緊

### 搬運電動工具

- ▶ 在電動工具上進行任何維護的工作 (例如維修，更換工具等) 以及搬運和儲存電動工具之前，都必須電動工具中取出充電電池。若是不小心觸動起停開關，可能造成人員受傷。

搬運電動工具之前必須先執行以下步驟：

- 把電動工具調整至搬運位置 (參見「搬運位置」，頁 112)。
- 拆除所有無法被固定在電動工具上的配件。搬運時必須儘可能把不使用的鋸片放置在密封盒子中。
- 將鋸台加寬件 (6) 往內推到底，並將緊固握把 (13) 往下壓進行固定。
- 請從提把 (29) 處抬高或搬運。
- ▶ 搬動電動工具時只能使用搬運裝置。不可以利用防護裝置來搬運電動工具。

## 維修和服務

### 維修和清潔

- ▶ 在電動工具上進行任何維護的工作 (例如維修，更換工具等) 以及搬運和儲存電動工具之前，都必須電動工具中取出充電電池。若是不小心觸動起停開關，可能造成人員受傷。
- ▶ 電動工具和通風口都必須保持清潔，這樣才能夠提高工作品質和安全性。

### 清潔

每次工作結束後都要使用壓縮空氣或軟刷清除機器上的灰塵和鋸屑。

### 降低噪音的措施

製造商提供的方法：

- 緩速起動
- 提供特別為了降低噪音而研發的鋸片

操作者自己能做的措施：

- 將機器安裝在穩固的工作面上，可以降低震動
- 使用具備降低噪音功效的鋸片
- 定期清潔鋸片和電動工具

### 顧客服務處和顧客諮詢中心

本公司顧客服務處負責回答有關本公司產品的維修、維護和備用零件的問題。以下的網頁中有分解圖和備用零件相關資料：[www.bosch-pt.com](http://www.bosch-pt.com)

如果對本公司產品及其配件有任何疑問，博世應用諮詢小組很樂意為您提供協助。

當您需要諮詢或訂購備用零件時，請務必提供本產品型號銘牌上 10 位數的產品機號。

### 台灣

台灣羅伯特博世股份有限公司

建國北路一段90 號6 樓

台北市10491

電話: (02) 7734 2588

傳真: (02) 2516 1176

[www.bosch-pt.com.tw](http://www.bosch-pt.com.tw)

### 製造商地址:

Robert Bosch Power Tools GmbH

羅伯特·博世電動工具有限公司

70538 Stuttgart / GERMANY

70538 斯圖加特/ 德國

### 以下更多客戶服務處地址：

[www.bosch-pt.com/serviceaddresses](http://www.bosch-pt.com/serviceaddresses)

### 搬運

建議使用的鋰離子充電電池受危險物品法的規範。使用者無須另外使用保護包裝便可運送該充電電池。

但是如果將它交由第三者運送 (例如：寄空運或委託運輸公司)，則應遵照包裝與標示的相關要求。此時必須向危險物品專家請教有關寄送危險物品的相關事宜。

確定充電電池的外殼未受損後，才可以寄送充電電池。用膠帶貼住裸露的接點並妥善包裝充電電池，不可以讓充電電池在包裝材料中晃動。同時也應留意各國相關法規。

### 廢棄物處理



必須以符合環保的方式，將損壞的電動工具、充電電池、配件和包裝材料進行回收再利用。



不可以把電動工具和充電電池／拋棄式電池丟入一般家庭垃圾中！

充電電池／拋棄式電池：

鋸鏈子：

請注意「搬運」段落中的指示（參見「搬運」，頁 115）。

## ไทย

### คำเตือนเพื่อความปลอดภัย

คำเตือนเพื่อความปลอดภัยทั่วไปในการใช้เครื่องมือไฟฟ้า

**คำเตือน** อ่านคำเตือนเพื่อความปลอดภัย คำแนะนำ ภาพประกอบ และข้อมูล

จำเพาะทั้งหมดที่จัดส่งมาพร้อมกับเครื่องมือไฟฟ้า การไม่ปฏิบัติตามคำแนะนำทั้งหมดที่ระบุไว้ด้านล่างนี้อาจทำให้ถูกไฟฟ้าดูด เกิดไฟไหม้ และ/หรือได้รับบาดเจ็บอย่างร้ายแรง

เก็บรักษาคำเตือนและคำสั่งทั้งหมดสำหรับเปิดอ่านในภายหลัง

คำว่า "เครื่องมือไฟฟ้า" ในคำเตือนหมายถึง เครื่องมือไฟฟ้าของช่างที่ทำงานด้วยพลังงานไฟฟ้าจากแหล่งจ่ายไฟหลัก (มีสายไฟฟ้า) และเครื่องมือไฟฟ้าที่ทำงานด้วยพลังงานไฟฟ้าจากแบตเตอรี่ (ไร้สาย)

ความปลอดภัยในสถานที่ทำงาน

- ▶ รักษาสถานที่ทำงานให้สะอาดและมีไฟส่องสว่างดี สถานที่ที่มีมืดหรือรกรุงรังนำมาซึ่งอุบัติเหตุ
- ▶ อย่าใช้เครื่องมือไฟฟ้าทำงานในสภาพบรรยากาศที่จุดติดไฟได้ เช่น ในที่มีมีของเหลวไวไฟ ก๊าซ หรือฝุ่น เมื่อใช้เครื่องมือไฟฟ้าจะเกิดประกายไฟซึ่งอาจจุดฝุ่นหรือไอให้ลุกเป็นไฟได้
- ▶ ขณะใช้เครื่องมือไฟฟ้าทำงาน ต้องกั้นเด็กและผู้ยืนดูให้ออกห่าง การหันเหความสนใจอาจทำให้ท่านขาดการควบคุมเครื่องได้

ความปลอดภัยเกี่ยวกับไฟฟ้า

- ▶ ปลั๊กของเครื่องมือไฟฟ้าต้องเหมาะสมพอดีกับเต้าเสียบ อย่าดัดแปลงปลั๊กไม่ว่าในลักษณะใดๆ อย่างเด็ดขาด อย่าใช้ปลั๊กพ่วงต่อใดๆ กับเครื่องมือไฟฟ้าที่มีสายดิน ปลั๊กที่ไม่ดัดแปลงและเต้าเสียบที่เข้ากันช่วยลดความเสี่ยงจากการถูกไฟฟ้าดูด
- ▶ หลีกเลี่ยงอย่าให้ร่างกายสัมผัสกับพื้นผิวที่ต่อสายดินหรือลงกราวด์ไว้ เช่น ท่อ เครื่องทำความร้อน เตา และตู้

เย็น จะเสี่ยงอันตรายจากการถูกไฟฟ้าดูดมากขึ้นหากกระแสไฟฟ้าวิ่งผ่านร่างกายของท่านลงดิน

- ▶ อย่าให้เครื่องมือไฟฟ้าถูกฝุ่นหรืออยู่ในสภาพเปียกชื้น หากน้ำเข้าในเครื่องมือไฟฟ้า จะเพิ่มความเสี่ยงจากการถูกไฟฟ้าดูด
- ▶ อย่าใช้สายไฟฟ้าในทางที่ผิด อย่าใช้สายไฟฟ้าเพื่อยก ดึง หรือถอดปลั๊กเครื่องมือไฟฟ้า กั้นสายไฟฟ้าออกจากความร้อน น้ำมัน ขอบแหลมคม หรือชิ้นส่วนที่เคลื่อนที่ สายไฟฟ้าที่ชำรุดหรือพันกันยุ่งเพิ่มความเสี่ยงจากการถูกไฟฟ้าดูด
- ▶ เมื่อใช้เครื่องมือไฟฟ้าทำงานกลางแจ้ง ให้ใช้สายไฟต่อที่เหมาะสมสำหรับใช้งานกลางแจ้ง การใช้สายไฟต่อที่เหมาะสมสำหรับงานกลางแจ้ง ช่วยลดอันตรายจากการถูกไฟฟ้าดูด
- ▶ หากไม่สามารถหลีกเลี่ยงการใช้เครื่องมือไฟฟ้าทำงานในสถานที่เปียกชื้นได้ ให้ใช้สวิตช์ตัดวงจรเมื่อเกิดการรั่วไหลของไฟฟ้าจากสายดิน (RCD) การใช้สวิตช์ตัดวงจรเมื่อเกิดการรั่วไหลของไฟฟ้าจากสายดินช่วยลดความเสี่ยงต่อการถูกไฟฟ้าดูด

ความปลอดภัยของบุคคล

- ▶ ท่านต้องอยู่ในสภาพพร้อมพร้อม ระวังระวังในสิ่งที่ท่านกำลังทำอยู่ และมีสติขณะใช้เครื่องมือไฟฟ้าทำงาน อย่าใช้เครื่องมือไฟฟ้าขณะที่ท่านกำลังเหนื่อยหรืออยู่ภายใต้การครอบงำของฤทธิ์ของยาเสพติด แอลกอฮอล์ และยา เมื่อใช้เครื่องมือไฟฟ้าทำงานในช่วงเวลาที่ท่านขาดความเอาใจใส่อาจทำให้บุคคลบาดเจ็บอย่างรุนแรงได้
- ▶ ใช้อุปกรณ์ปกป้องร่างกาย สวมแว่นตาป้องกันเสมอ อุปกรณ์ปกป้อง เช่น หน้ากากกันฝุ่น รองเทากันลื่น หมวกแข็ง หรือประภคพนักกันเสียงดังที่ใช่ตามความเหมาะสมกับสภาพการทำงาน จะลดการบาดเจ็บทางร่างกาย
- ▶ ป้องกันการติดเครื่องโดยไม่มีตั้งใจ ตรวจสอบให้แน่ใจว่าสวิตช์อยู่ในตำแหน่งปิดก่อนเชื่อมต่อกับแหล่งจ่ายไฟ และ/หรือแบตเตอรี่แพ็ค ยกหรือถือเครื่องมือการถือเครื่องโดยใช้นิ้วหัวที่สวิตช์ หรือเสียบปลั๊กไฟฟ้าขณะสวิตช์เปิดอยู่ อาจนำไปสู่อุบัติเหตุที่ร้ายแรงได้
- ▶ นำเครื่องมือปรับแต่งหรือประแจปากตายออกก่อนเปิดสวิตช์เครื่องมือไฟฟ้า เครื่องมือหรือประแจปากตายที่วางอยู่กับส่วนของเครื่องที่กำลังหมุนจะทำให้บุคคลบาดเจ็บได้
- ▶ อย่าเอื้อมไกลเกินไป ตั้งทำขึ้นที่มั่นคงและวางน้ำหนักให้สมดุลตลอดเวลา ในลักษณะนี้ท่านสามารถควบคุมเครื่องมือไฟฟ้าในสถานการณ์ที่ไม่คาดคิดได้ดีกว่า
- ▶ แต่งกายอย่างเหมาะสม อย่าใส่เสื้อผ้าหลวมหรือสวมเครื่องประดับ เอ้าผมและเสื้อผ้าออกห่างจากชิ้นส่วนที่เคลื่อนที่ เสื้อผ้าหลวม เครื่องประดับ และผมยาวอาจเข้าไปติดในชิ้นส่วนที่เคลื่อนที่
- ▶ หากเครื่องมือไฟฟ้ามีข้อเชื่อมต่อกับเครื่องดูดฝุ่นหรือเครื่องเก็บผง ให้ตรวจสอบให้แน่ใจว่าได้เชื่อมต่อกและใช้งานอย่างถูกต้อง การใช้อุปกรณ์ดูดฝุ่นช่วยลดอันตรายที่เกิดจากฝุ่นได้

- ▶ เมื่อใช้งานเครื่องบ่อยครั้งจะเกิดความคุ้นเคย อย่าให้ความคุ้นเคยทำให้ท่านเกิดความชะล่าใจและละเลยกฎเกณฑ์ด้านความปลอดภัยในการใช้งานเครื่อง การทำงานอย่างไม่ระมัดระวังอาจทำให้เกิดการบาดเจ็บอย่างร้ายแรงภายในเสี้ยววินาที

#### การใช้และการดูแลรักษาเครื่องมือไฟฟ้า

- ▶ อย่างตื่นกลัวเครื่องมือไฟฟ้า ใช้เครื่องมือไฟฟ้าที่ถูกต่อตรงตามลักษณะงานของท่าน เครื่องมือไฟฟ้าที่ถูกต่อจะทำงานได้ดีกว่าและปลอดภัยกว่าในระดับสมรรถภาพที่ออกแบบไว้
- ▶ อย่าใช้เครื่องมือไฟฟ้าถ้าสวิตช์ไม่สามารถเปิดปิดได้ เครื่องมือไฟฟ้าที่ไม่สามารถควบคุมการเปิดปิดด้วยสวิตช์ได้ เป็นเครื่องมือไฟฟ้าที่ไม่ปลอดภัยและต้องส่งซ่อมแซม
- ▶ ก่อนปรับแต่งเครื่อง เปลี่ยนอุปกรณ์ประกอบ หรือเก็บเครื่องเข้าที่ ต้องถอดปลั๊กออกจากแหล่งจ่ายไฟ และ/หรือถอดแบตเตอรี่แพ็คเกจออกจากเครื่องมือไฟฟ้าหากถอดออกได้ มาตรการป้องกันเพื่อความปลอดภัยนี้ช่วยลดความเสี่ยงจากการติดเครื่องโดยไม่ตั้งใจ
- ▶ เมื่อเลิกใช้งานเครื่องมือไฟฟ้า ให้เก็บเครื่องไว้ในที่เด็กหยิบไม่ถึง และไม่อนุญาตให้บุคคลที่ไม่คุ้นเคยกับเครื่องหรือบุคคลที่ไม่ได้อ่านคำแนะนำนำเหล่านี้ใช้เครื่องมือไฟฟ้าเป็นของอันตรายหากตกอยู่ในมือของผู้ใช้ที่ไม่ได้รับการฝึกฝน
- ▶ บำรุงรักษาเครื่องมือไฟฟ้าและอุปกรณ์ประกอบ ตรวจสอบชิ้นส่วนที่เคลื่อนที่ว่าว่าง ไม่ตรงแนวหรือติดขัดหรือไม่ ตรวจสอบการแตกหักของชิ้นส่วนและสภาพอื่นใดที่อาจมีผลต่อการทำงานของเครื่องมือไฟฟ้า หากชำรุดต้องส่งเครื่องมือไฟฟ้าไปซ่อมแซมก่อนใช้งาน อุบัติเหตุหลายอย่างเกิดขึ้นเนื่องจากดูแลรักษาเครื่องมือไม่ดีพอ
- ▶ รักษาเครื่องมือตัด ให้คมและสะอาด หากบำรุงรักษาเครื่องมือที่มีขอบตัดแหลมคมอย่างถูกต้อง จะสามารถตัดได้ลื่นไม่ติดขัดและควบคุมได้ง่ายกว่า
- ▶ ใช้เครื่องมือไฟฟ้า อุปกรณ์ประกอบ เครื่องมือ และอุปกรณ์อื่น ๆ ตรงตามคำแนะนำเหล่านี้ โดยคำนึงถึงเงื่อนไขการทำงานและงานที่จะทำ การใช้เครื่องมือไฟฟ้าทำงานที่ต่างไปจากวัตถุประสงค์ประสงค์การใช้งานของเครื่อง อาจนำไปสู่สถานการณ์ที่เป็นอันตรายได้
- ▶ ดูแลความจับและพื้นผิวจับให้แห้ง สะอาด และปราศจากคราบน้ำมันและจาระบี ตามจับและพื้นผิวจับที่ลื่นทำให้หือจับได้ไม่ปลอดภัย และไม่สามารถควบคุมเครื่องมือในสถานการณ์ที่ไม่คาดคิด

#### การใช้และการดูแลรักษาเครื่องที่ใช้แบตเตอรี่

- ▶ ชาร์จไฟใหม่ด้วยเครื่องชาร์จที่บริษัทผู้ผลิตระบุไว้เท่านั้น เครื่องชาร์จที่เหมาะสมสำหรับชาร์จแบตเตอรี่แพ็คเกจหนึ่ง ๆ หากนำไปชาร์จแบตเตอรี่แพ็คเกจอื่น อาจเกิดไฟไหม้ได้
- ▶ ใช้เครื่องมือไฟฟ้าเฉพาะกับแบตเตอรี่แพ็คเกจที่กำหนดไว้เท่านั้น การใช้แบตเตอรี่แพ็คเกจอื่นเสี่ยงต่อการเกิดไฟไหม้หรือบาดเจ็บ

- ▶ เมื่อไม่ใช้งานแบตเตอรี่แพ็คเกจ ให้เก็บไว้ห่างวัตถุที่เป็นโลหะอื่นๆ เช่น คลิปหนีบกระดาษ เหรียญ คุกกี้ ตะปู สกรู หรือวัตถุที่เป็นโลหะขนาดเล็กอื่นๆ ที่สามารถเชื่อมต่อขั้วหนึ่งไปยังอีกขั้วหนึ่งได้ การลัดวงจรของขั้วแบตเตอรี่อาจทำให้เกิดการไหม้หรือฟลุ๊กได้
- ▶ หากใช้แบตเตอรี่อย่างอาจมีของเหลวไหลออกมาจากแบตเตอรี่ได้ ให้หลีกเลี่ยงการสัมผัส หากสัมผัสโดยบังเอิญ ให้ใช้น้ำล้าง หากของเหลวเข้าตา ให้ขอความช่วยเหลือจากแพทย์ด้วย ของเหลวที่ไหลออกมาจากแบตเตอรี่อาจทำให้เกิดอาการคันหรือแสบผิวหนังได้
- ▶ อย่าใช้แบตเตอรี่แพ็คเกจหรือเครื่องมือที่ชำรุดหรือดัดแปลง แบตเตอรี่ที่ชำรุดหรือดัดแปลงอาจแสดงอาการที่ไม่สามารถคาดเดาได้ ส่งผลให้เกิดไฟไหม้ ระเบิด หรือความเสี่ยงต่อการได้รับบาดเจ็บ
- ▶ อย่าให้แบตเตอรี่แพ็คเกจหรือเครื่องมือสัมผัสไฟหรืออุณหภูมิที่สูงเกินไป หากสัมผัสไฟหรืออุณหภูมิที่สูงกว่า 130 °C อาจทำให้เกิดการระเบิดได้
- ▶ ปฏิบัติตามคำแนะนำเกี่ยวกับการชาร์จทั้งหมด และต้องไม่ชาร์จแบตเตอรี่แพ็คเกจหรือเครื่องมือนอกช่วงอุณหภูมิที่กำหนดในคำแนะนำ การชาร์จแบตเตอรี่อย่างไม่ถูกวิธีหรือนอกช่วงอุณหภูมิที่กำหนด อาจทำให้แบตเตอรี่เสียหายและเพิ่มความเสี่ยงต่อการเกิดไฟไหม้

#### การบริการ

- ▶ ส่งเครื่องมือไฟฟ้าของท่านเข้ารับบริการจากช่างซ่อมที่มีคุณสมบัติเหมาะสม โดยใช้อะไหล่ที่เหมือนกันเท่านั้น ในลักษณะนี้ท่านจะแน่ใจได้ว่าเครื่องมือไฟฟ้าอยู่ในสภาพที่ปลอดภัย
- ▶ อย่าบำรุงรักษาแบตเตอรี่แพ็คเกจที่ชำรุดอย่างเด็ดขาด ต้องส่งให้บริษัทผู้ผลิตหรือศูนย์บริการที่ได้รับอนุญาตทำการบำรุงรักษาแบตเตอรี่แพ็คเกจเท่านั้น

#### คำเตือนเพื่อความปลอดภัยสำหรับเลื่อยตั้งโต๊ะ

##### คำเตือนเกี่ยวกับการป้องกัน

- ▶ กระจับป้องกันต้องล็อกเข้าที่ กระจับป้องกันต้องอยู่ในสภาพใช้งานได้และติดตั้งอย่างถูกต้อง ต้องซ่อมแซมหรือเปลี่ยนกระจับป้องกันที่หลุดหลวม ชำรุด หรือทำงานไม่ถูกต้อง
- ▶ ใช้กระจับป้องกันใบเลื่อยและลิ้มแยกทุกครั้งที่ทำารตัดผ่านชิ้นงานทั้งชิ้น สำหรับการตัดผ่านชิ้นงานทั้งชิ้นที่ใบเลื่อยตัดผ่านความหนาของชิ้นงานทั้งหมด กระจับป้องกันและอุปกรณ์ความปลอดภัยอื่นๆ จะช่วยลดความเสี่ยงต่อการบาดเจ็บ
- ▶ หลังจากเสร็จสิ้นการตัดแบบไม่ผ่าน เช่น การบาก การเลื่อยซ้ำ ให้เก็บมีดความคืบในตำแหน่งที่ขยายขึ้น นำมีดความคืบคืนสู่ตำแหน่งที่ขยายขึ้น ใส่การป้องกันใบมีด กระจับป้องกันและลิ้มแยกช่วยลดความเสี่ยงต่อการบาดเจ็บ

- ▶ ตรวจสอบให้แน่ใจว่าใบเลื่อยจะไม่สัมผัสกระบังป้องกัน ลิมแยก หรือชิ้นงานก่อนเปิดสวิตช์ หากใบเลื่อยสัมผัสสิ่งเหล่านี้โดยไม่ตั้งใจ อาจทำให้เกิดสภาพที่เป็นอันตรายได้
  - ▶ ปรับตั้งลิมแยกตามที่อยู่ภายในคู่มือการใช้งานนี้ การเว้นระยะห่าง ตำแหน่ง และการวางแนวที่ไม่ถูกต้องอาจทำให้ลิมแยกไม่สามารถลดโอกาสที่จะเกิดการตีกลับ
  - ▶ เพื่อให้ลิมแยกทำงาน ลิมแยกต้องขบเข้าในชิ้นงาน ลิมแยกจะทำงานไม่ได้ผลเมื่อตัดชิ้นงานที่มีขนาดสั้นเกินกว่าที่จะขบเข้ากับลิมแยก ภายใตเงื่อนไขเหล่านี้ลิมแยกจะไม่สามารถป้องกันการเกิดการตีกลับ
  - ▶ ใช้ใบเลื่อยที่เหมาะสมสำหรับลิมแยก เพื่อให้ลิมแยกทำงานได้อย่างถูกต้อง เส้นผ่านศูนย์กลางของใบเลื่อยต้องเข้ากันกับลิมแยกที่เหมาะสม และตัวใบเลื่อยต้องบางกว่า ความหนาของลิมแยก และความกว้างการตัดของใบเลื่อยต้องมากกว่าความหนาของลิมแยก
- คำเตือนเกี่ยวกับขั้นตอนการตัด**
- ▶ **⚠️** **อันตราย:** อย่าให้น้ำหรือมือของท่านเข้าใกล้หรืออยู่ในแนวเดียวกันกับใบเลื่อยอย่างเด็ดขาด ในช่วงเวลาที่ขาคความเอาใจใส่หรือการสั่นไหวอาจจุดมือของท่านเข้าหาใบเลื่อย และอาจทำให้ได้รับบาดเจ็บสาหัสได้
  - ▶ **ป้อนชิ้นงานเข้าหาใบเลื่อยตรงข้ามกับทิศทางการหมุนแทน** การป้อนชิ้นงานไปในทิศทางเดียวกับที่ใบเลื่อยหมุนเหนือโต๊ะอาจส่งผลให้ชิ้นงานและมือของท่านถูกจุดเข้าไปในใบเลื่อย
  - ▶ **อย่าใช้เกจวัดมุมในแนวระนาบ (mitre gauge) เพื่อป้อนชิ้นงานเมื่อตัดซอย (ripping) อย่างเด็ดขาด และอย่าใช้รั้วซอย (rip fence) เป็นตัวหยุดความยาวเมื่อตัดขวางเฉียง (cross cutting) ด้วยเกจวัดมุมในแนวระนาบ** การใช้รั้วซอยและเกจวัดมุมในแนวระนาบในเวลาเดียวกันเพื่อเคลื่อนนำชิ้นงานจะเพิ่มโอกาสให้ใบเลื่อยตีกลับและเกิดการตีกลับ
  - ▶ **เมื่อตัดซอย ให้ชิ้นงานสัมผัสกับรั้วอย่างเต็มที่ ให้ใช้แรงป้อนชิ้นงานระหว่างรั้วกับใบเลื่อยเสมอ** ไขไม้ต้นเมื่อระยะห่างระหว่างรั้วและใบเลื่อยน้อยกว่า 150 มม. และไขไม้ล็อกต้นเมื่อระยะห่างนั้นน้อยกว่า 50 มม. อุปกรณ์ “ช่วยทำงาน” จะทำให้มือของท่านอยู่ห่างจากใบเลื่อยในระยะปลอดภัย
  - ▶ **ใช้เฉพาะไม้ต้นจากบริษัทผู้ผลิตหรือที่สร้างขึ้นตามคำแนะนำเท่านั้น** ไม้ต้นนี้ช่วยให้อายุห่างจากใบเลื่อยอย่างเพียงพอ
  - ▶ **อย่าใช้ไม้ต้นที่ชำรุดหรือถูกตัดอย่างเด็ดขาด** ไม้ต้นสำหรับตัดที่ชำรุดอาจแตกหักและทำให้มือของท่านสั่นไหวเข้าไปในใบเลื่อยได้
  - ▶ **อย่าใช้ “มือเปล่า” ทำงานใดๆ ให้ใช้รั้วซอยหรือเกจวัดมุมในแนวระนาบเพื่อจัดตำแหน่งและเคลื่อนนำชิ้นงานเสมอ** “มือเปล่า” หมายถึงการใช้มือของท่านเพื่อหมุนหรือเคลื่อนนำชิ้นงานแทนรั้วซอยหรือเกจวัดมุมในแนวระนาบ การเลื่อยด้วยมือเปล่าจะทำให้ไม่ตรงแนว ตีกลับ และเกิดการตีกลับ
  - ▶ **อย่าเอื้อมมือไปรอบๆ หรือเหนือใบเลื่อยที่กำลังหมุนอย่างเด็ดขาด** การเข้าถึงชิ้นงานอาจทำให้สัมผัสใบเลื่อยที่กำลังเคลื่อนที่โดยไม่ตั้งใจ

- ▶ **สำหรับชิ้นงานที่ยาวและ/หรือกว้าง ให้หมุนเสริมชิ้นงานตรงด้านหลังและ/หรือด้านข้างของโต๊ะเลื่อยเพื่อให้งานใดระดับ** ชิ้นงานที่ยาวและ/หรือกว้างมักจะหมุนบนขอบโต๊ะ ทำให้สูญเสียการควบคุม ใบเลื่อยตีกลับและเกิดการตีกลับ
- ▶ **ป้อนชิ้นงานด้วยความเร็วสม่ำเสมอ อย่าโค้งงอ บิดหรือเลื่อนชิ้นงานขึ้นจากด้านข้างสู่ด้านข้าง** หากเกิดการตีกลับ ให้เปิดสวิตช์เครื่องทันที ถอดปลั๊กไฟฟ้า จากนั้นจึงแก้ไขปัญหาการตีกลับ หากชิ้นงานทำให้ใบเลื่อยตีกลับ อาจเกิดการตีกลับหรือมอเตอร์หยุดกลางคัน
- ▶ **อย่าโยกย้ายชิ้นวัสดุที่ตัดออกในขณะที่เครื่องเลื่อยกำลังทำงาน** วัสดุอาจติดอยู่ระหว่างรั้วหรือภายในกระบังป้องกันใบเลื่อย และใบเลื่อยอาจจุดนิ้วของท่านเข้าในใบเลื่อย ปิดสวิตช์เครื่องเลื่อยและรอให้ใบเลื่อยหยุดนิ่งก่อนนำวัสดุออกมา
- ▶ **ใช้รั้วเสริมวางขีดคั่นบนโต๊ะเมื่อตัดซอยชิ้นงานที่มีความหนาน้อยกว่า 2 มม.** ชิ้นงานบางๆ อาจแทรกติดอยู่ใต้รั้วตัดซอยและทำให้เกิดการตีกลับ

#### การตีกลับและคำเตือนเกี่ยวกับ

การตีกลับคือแรงสะท้อนกระทันหันของชิ้นงานเนื่องจากใบเลื่อยถูกบีบอัด ตีกลับ หรือเสียดสีในชิ้นงานไม่ตรงแนวเดียวกันกับใบเลื่อย หรือเมื่อส่วนหนึ่งของชิ้นงานติดแน่นอยู่ระหว่างใบเลื่อยและรั้วตัดซอย หรือวัตถุคงที่อื่นๆ บ่อยที่สุดในระหว่างการตีกลับคือชิ้นงานจะถูกยกขึ้นจากโต๊ะโดยส่วนท้ายของใบเลื่อย และถูกดันไปยังผู้ใช้เครื่อง การตีกลับเป็นผลจากการใช้เครื่องเลื่อยผิดวัตถุประสงค์และ/หรือมีสภาพหรือขั้นตอนการทำงานที่ไม่ถูกต้อง และสามารถหลีกเลี่ยงได้โดยเตรียมตัวป้องกันไว้ก่อนอย่างถูกต้องดังต่อไปนี้

- ▶ **อย่ายืนในแนวเดียวกันกับใบเลื่อยโดยตรงอย่างเด็ดขาด** ใหวางตำแหน่งของลำตัวของท่านไว้ด้านหลังเดียวกับใบเลื่อยและรั้วเสมอ การตีกลับอาจดันชิ้นงานอย่างรวดเร็วไปยังทุกๆ คนที่ยืนอยู่ตรงหน้าและอยู่ในแนวเดียวกันกับใบเลื่อย
- ▶ **อย่าเอื้อมมือไปรอบๆ หรือเข้าด้านหลังของใบเลื่อยเพื่อดึงหรือหมุนชิ้นงานอย่างเด็ดขาด** การสัมผัสใบเลื่อยโดยไม่ตั้งใจอาจเกิดขึ้นได้ หรือการตีกลับอาจจุดนิ้วของท่านเข้าในใบเลื่อย
- ▶ **อย่าจับและกดชิ้นงานที่ถูกตัดออกเข้าหาใบเลื่อยที่กำลังหมุนอย่างเด็ดขาด** การกดชิ้นงานที่ถูกตัดออกเข้าหาใบเลื่อยจะทำให้เกิดการตีกลับและการตีกลับ
- ▶ **จัดแนวรั้วให้ขนานกับใบเลื่อย** รั้วที่ไม่ตรงแนวจะบีบอัดชิ้นงานเข้ากับใบเลื่อยและทำให้เกิดการตีกลับ
- ▶ **ใช้หวีคืนชิ้นงาน (featherboard) เพื่อนำชิ้นงานเข้าหาโต๊ะและรั้วเมื่อไม่ตัดผ่านชิ้นงานทั้งชิ้น** เช่น การตัดบาก หวีคืนชิ้นงานช่วยควบคุมชิ้นส่วนในกรณีที่เกิดการตีกลับ
- ▶ **หมุนแผ่นกระดานที่มีขนาดใหญ่เพื่อลดความเสี่ยงที่ใบเลื่อยจะถูกบีบอัดและตีกลับ** แผ่นชิ้นงานที่มีขนาดใหญ่มักจะห้อยตามความถ่วงน้ำหนักของตัวแผ่นเอง ต้องวางตัวหมุนไว้ใต้ทุกส่วนของแผ่นกระดานที่ยื่นออกมาจากด้านบนโต๊ะ

- ▶ ใช้ความระมัดระวังเป็นพิเศษเมื่อตัดชิ้นงานที่มีดงอ เป็นตะปมตะป้า โกงผิดรูป หรือไม่มีขอบตรงที่จะนำชิ้นงานไปตามเกจวัดมุมในแนระนาบหรือตามแนวรั้วได้ ชิ้นส่วนที่ผิดรูป เป็นตะปมตะป้า หรือมีดงอจะคลอนแคลน และทำให้รอยตัดไม่ตรงแนวกับใบเลื่อย ดัดขัด และเกิดการตีกลับ
- ▶ อย่าตัดชิ้นงานมากกว่าหนึ่งชิ้นโดยเรียงซ้อนกันในแนวตั้งหรือแนวนอนอย่างเด็ดขาด ใบเลื่อยอาจยกชิ้นงานหนึ่งชิ้นหรือมากกว่าขึ้นมา และทำให้เกิดการตีกลับ
- ▶ เมื่อสตาร์ทเครื่องเลื่อยอีกครั้งโดยมีใบเลื่อยอยู่ในชิ้นงาน ให้วางใบเลื่อยไว้ตรงกลางในร่องตัดในลักษณะที่ฟันเลื่อยไม่ขบเขาในวัสดุ หากใบเลื่อยดัดขัด ใบเลื่อยอาจยกชิ้นงานขึ้น และทำให้เกิดการตีกลับเมื่อเครื่องเลื่อยสตาร์ทอีกครั้ง
- ▶ รักษาใบเลื่อยให้สะอาด คม และมีการปรับตั้งอย่างเพียงพอ อย่าใช้ใบเลื่อยที่โกงผิดรูป หรือใบเลื่อยที่ฟันแตกหรือหักอย่างเด็ดขาด ใบเลื่อยที่คมและได้รับการปรับตั้งอย่างถูกต้องช่วยลดการดัดขัด การสะอึกตัม และการตีกลับ

#### คำเตือนเกี่ยวกับขั้นตอนการทำงานของเลื่อยตั้งโต๊ะ

- ▶ ปิดสวิทช์เลื่อยตั้งโต๊ะและถอดแบตเตอรี่แพ็คเกจออกเมื่อไม่ผ่านปิดช่องใบเลื่อยออก เปลี่ยนใบเลื่อย หรือทำการปรับลิ้มแยกหรือกระบังป้องกันใบเลื่อย และเมื่อปล่อยเครื่องทิ้งไว้โดยไม่ดูแล มาตรการป้องกันล่วงหน้าจะหลีกเลี่ยงอุบัติเหตุ
- ▶ อย่าปล่อยเลื่อยตั้งโต๊ะทำงานโดยไม่ดูแลอย่างเด็ดขาด ให้ปิดสวิทช์เครื่อง และอย่าเดินออกจากเครื่องจนกว่าเครื่องจะหยุดนิ่งอยู่กับที่ เครื่องเลื่อยที่ทำงานโดยไม่ดูแลคืออันตรายที่ไม่สามารถควบคุมได้
- ▶ วางเลื่อยตั้งโต๊ะในบริเวณที่มีแสงไฟสว่างและพื้นที่ราบเรียบที่ท่านสามารถยืนอย่างมั่นคงและสมดุล ควรติดตั้งเครื่องในพื้นที่ที่มีช่องวางเพียงพอที่จะจัดการกับขนาดของชิ้นงานของท่านได้อย่างง่ายดาย บริเวณที่คับแคบและมืด และพื้นที่ลื่นและขรุขระนำมาซึ่งอุบัติเหตุ
- ▶ ทำความสะอาดและเอาขี้เลื่อยออกจากโต๊ะเลื่อย และ/หรืออุปกรณ์เก็บฝุ่นบ่อยๆ ขี้เลื่อยที่สะสมสามารถติดไฟได้และอาจลุกไหม้เองได้
- ▶ ต้องยึดเลื่อยตั้งโต๊ะไว้อย่างแน่นหนา เลื่อยตั้งโต๊ะที่ไม่ได้ยึดไว้อย่างถูกต้องอาจเลื่อนหรือพลิกคว่ำ
- ▶ เอาเครื่องมือ เศษไม้ ฯลฯ ออกจากโต๊ะก่อนเปิดสวิทช์เลื่อยตั้งโต๊ะ สิ่งที่ทำให้เสียสมาธิหรือการดัดขัดที่อาจเกิดขึ้นอาจเป็นอันตราย
- ▶ ใช้ใบเลื่อยที่มีขนาดและรูปทรงรูปตัดที่ถูกต้องเสมอ (สีเหลี่ยมขนมหกเหลี่ยมหรือกลม) ใบเลื่อยที่ไม่เข้าชุดกับอุปกรณ์ติดตั้งของเครื่องเลื่อยจะวิ่งไม่อยู่กึ่งกลางและทำให้สูญเสียการควบคุม
- ▶ อย่าใช้อุปกรณ์ติดตั้งใบเลื่อยที่ชำรุดหรือไม่ถูกต้อง เช่น หนาแปลน ใบเลื่อย แหวนรอง โบลท์ หรือนอตอย่างเด็ดขาด อุปกรณ์ติดตั้งเหล่านี้ถูกออกแบบเป็นพิเศษสำหรับเครื่องเลื่อยของท่าน เพื่อทำงานให้ประสิทธิภาพสูงสุดและเพื่อความปลอดภัยในการทำงาน

- ▶ อย่ายืนบนเลื่อยตั้งโต๊ะอย่างเด็ดขาด อย่าใช้เลื่อยตั้งโต๊ะเป็นเก้าอี้บันได หากเครื่องล้มคว่ำหรือหากสัมผัสเครื่องมือตัดโดยไม่ตั้งใจ อาจทำให้ได้รับบาดเจ็บสาหัสได้
- ▶ ตรวจสอบให้แน่ใจว่าได้ติดตั้งใบเลื่อยโดยให้หมุนไปในทิศทางที่ถูกต้อง อย่าใช้ลวดเจียรโรน แปรงลวด หรือลวดขัดบนเลื่อยตั้งโต๊ะ การติดตั้งใบเลื่อยอย่างไม่ถูกต้องหรือการใช้อุปกรณ์ประกอบที่ไม่ดีและน่า อาจทำให้ได้รับบาดเจ็บสาหัสได้

#### คำแนะนำเพื่อความปลอดภัยเพิ่มเติม

- ▶ สวมถุงมือป้องกันอันตรายเมื่อติดตั้งใบเลื่อย อันตรายจากการบาดเจ็บ
- ▶ อย่าใช้ใบเลื่อยที่ทำจากเหล็กกล้าความเร็วสูง (High Speed Steel, HSS) ใบเลื่อยนี้แตกง่าย
- ▶ ใช้เฉพาะใบเลื่อยที่ตรงตามข้อกำหนดที่ระบุไว้ในคู่มือการใช้งานนี้และบนเครื่องมือไฟฟ้า และดูแผนการทดสอบตามมาตรฐาน EN 847-1 และทำเครื่องหมายไว้เท่านั้น
- ▶ อย่าใช้เครื่องมือไฟฟ้าโดยไม่ใส่แผ่นแทรกโต๊ะ เปลี่ยนแผ่นแทรกโต๊ะที่ชำรุด หากไม่ใส่แผ่นแทรกโต๊ะที่มีสภาพสมบูรณ์แบบ ท่านอาจได้รับบาดเจ็บจากใบเลื่อย
- ▶ รักษาสถานที่ทำงานให้สะอาด การผสมผสานของวัสดุเป็นอันตรายอย่างยิ่งฝุ่นละอองโลหะอาจเผาไหม้หรือระเบิดได้
- ▶ เลือกใบเลื่อยที่เหมาะสมสำหรับวัสดุที่ท่านต้องการตัด
- ▶ ใช้เฉพาะใบเลื่อยที่บริษัทผู้ผลิตเครื่องมือแนะนำให้ใช้ และต้องเป็นใบเลื่อยที่เหมาะสมสำหรับเลื่อยวัสดุที่ต้องการตัด
- ▶ นำชิ้นงานเข้าหาใบเลื่อยที่กำลังวิ่งอยู่เท่านั้น มิฉะนั้นจะเกิดอันตรายจากการตีกลับเมื่อใบเลื่อยเกิดดัดขัดอยู่ในชิ้นงาน
- ▶ เมื่อแบตเตอรี่ชำรุดและนำไปใช้งานอย่างไม่มีคุณอาจมีไอระเหยออกมาได้ แบตเตอรี่อาจเผาไหม้หรือระเบิดได้ให้ดูจากคู่มือผลิตภัณฑ์และไปพบแพทย์ในกรณีเจ็บปวด ไอระเหยอาจทำให้ระบบหายใจระคายเคือง
- ▶ อย่าเปิดแบตเตอรี่ อันตรายจากการลัดวงจร
- ▶ วัตถุที่แหลมคม ต. ย. เช่น ตะปูหรือไขควง หรือแรงกระทำภายนอก อาจทำให้แบตเตอรี่เสียหายได้ สิ่งเหล่านี้จะทำให้เกิดการลัดวงจรภายในและแบตเตอรี่ใหม่ มีควัน ระเบิด หรือร้อนเกินไป
- ▶ ใช้แบตเตอรี่แพ็คเกจเฉพาะในผลิตภัณฑ์ของผู้ผลิตเท่านั้น ในลักษณะนี้ แบตเตอรี่แพ็คเกจได้รับการปกป้องจากการใช้งานเกินกำลังซึ่งเป็นอันตราย



ปกป้องแบตเตอรี่จากความร้อน รวมทั้ง ต. ย. เช่น จากการถูกแสงแดดส่องต่อเนื่อง จากไฟลิ่งสปริงก์ น้ำ และความชื้น อันตรายจากการระเบิดและการลัดวงจร

#### สัญลักษณ์

สัญลักษณ์ต่อไปนี้มีความสำคัญต่อการใช้เครื่องมือไฟฟ้าของท่าน กรุณาจดจำสัญลักษณ์และความหมาย การ

แปลความสัญลักษณ์ได้ถูกต้องจะช่วยให้ท่านใช้เครื่องมือไฟฟ้าได้ดีและปลอดภัยกว่า

**สัญลักษณ์และความหมายของสัญลักษณ์**



**เอามือออกห่างจากริมแฉกตัด ขณะเครื่องกำลังวิ่ง**  
อันตรายจากการบาด เจ็บเมื่อไปสัมผัสกับใบเลื่อย



**สวมหน้ากากป้องกันฝุ่น**



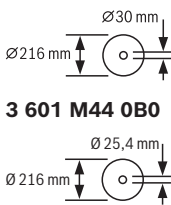
**สวมอุปกรณ์ป้องกันเสียง** การรับฟังเสียงดังอาจทำให้สูญเสียการได้ยิน



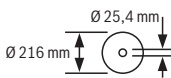
**สวมแว่นตาป้องกันอันตราย**

**3 601 M44 000**  
**3 601 M44 0K0**  
**3 601 M44 040**

สังเกตขนาดของใบเลื่อย เส้นผ่าศูนย์กลางรูตรงเข้ากับแกนเครื่องมือโดยไม่มีช่องหลวม หากจำเป็นต้องใช้ตัวลดขนาด ให้ตรวจสอบให้แน่ใจว่าขนาดของตัวลดนั้น ตรงกับความหนาใบ และเส้นผ่าศูนย์กลางรูของใบเลื่อย รวมทั้งเส้นผ่าศูนย์กลางของแกนเครื่องมือ หากเป็นไปได้ให้ใช้ตัวลดขนาดที่จัดส่งมาพร้อมกับใบเลื่อย



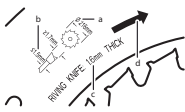
**3 601 M44 0B0**



เส้นผ่าศูนย์กลางใบเลื่อยต้องสอดคล้องกับข้อมูลบนสัญลักษณ์

**3 601 M44 000**  
**3 601 M44 0K0**  
**3 601 M44 040**

**a** ใบเลื่อยจะต้องมีขนาดเส้นผ่าศูนย์กลางไม่เกิน 216 มม.  
**b** เมื่อเปลี่ยนใบเลื่อย ต้องตรวจสอบให้แน่ใจว่ามีความกว้างการตัดไม่น้อยกว่า 1.7 และความหนาของใบเลื่อยไม่เกิน 1.5 มม. มิฉะนั้นอาจมีความเสี่ยงที่ลิ้มแฉกจะติดขัดอยู่ในชิ้นงาน

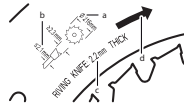


**c** ความหนาของลิ้มแฉกคือ 1.6 มม.  
**d** ทิศทางการตัดของฟัน (ทิศทางการของลูกศรบนใบเลื่อย) ต้องตรงกับทิศทางการของลูกศรบนลิ้มแฉก

**3 601 M44 0B0**

**a** ใบเลื่อยจะต้องมีขนาดเส้นผ่าศูนย์กลางไม่เกิน 216 มม.  
**b** เมื่อเปลี่ยนใบเลื่อย ต้องตรวจสอบให้แน่ใจว่ามีความกว้างการตัด

**สัญลักษณ์และความหมายของสัญลักษณ์**



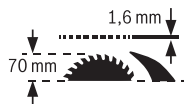
ไม่น้อยกว่า 2.3 และความหนาของใบเลื่อยไม่เกิน 2.1 มม. มิฉะนั้นอาจมีความเสี่ยงที่ลิ้มแฉกจะติดขัดอยู่ในชิ้นงาน

**c** ความหนาของลิ้มแฉกคือ 2.2 มม.

**d** ทิศทางการตัดของฟัน (ทิศทางการของลูกศรบนใบเลื่อย) ต้องตรงกับทิศทางการของลูกศรบนลิ้มแฉก

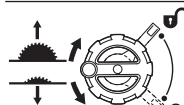
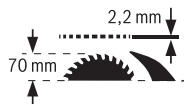
**3 601 M44 000**  
**3 601 M44 0K0**  
**3 601 M44 040**

ความหนาของลิ้มแฉกคือ 1.6 มม.  
ความสูงชิ้นงานที่เป็นไปได้สูงสุดคือ 70 มม.



**3 601 M44 0B0**

ความหนาของลิ้มแฉกคือ 2.2 มม.  
ความสูงชิ้นงานที่เป็นไปได้สูงสุดคือ 70 มม.



**ด้านซ้าย:** แสดงทิศทางการหมุนของข้อเหวี่ยงเพื่อลดใบเลื่อย (ตำแหน่งขนาย) และยกใบเลื่อย (ตำแหน่งทำงาน)

**ด้านขวา:** แสดงตำแหน่งของคันล็อกเพื่อล็อกใบเลื่อยและเมื่อปรับมุมเอียงในแนวตั้ง (ใบเลื่อยเอียงได้)



โดยฉลาก CE ผู้ผลิตยืนยันว่า เครื่องมือไฟฟ้าสอดคล้องกับกฎระเบียบ EU ที่บังคับใช้

**รายละเอียดผลิตภัณฑ์และข้อมูลจำเพาะ**



**อ่านค่าเตือนเพื่อความปลอดภัยและคำแนะนำทั้งหมด** การไม่ปฏิบัติตามค่าเตือนและคำสั่งอาจเป็นสาเหตุใหญ่จากไฟฟ้าดูด เกิดไฟไหม้ และ/หรือได้รับบาดเจ็บอย่างร้ายแรง

กรุณาดูภาพประกอบในส่วนหน้าของคู่มือการใช้งาน

**ประโยชน์การใช้งานของเครื่อง**

เครื่องมือไฟฟ้านี้เป็นเครื่องประจำที่ใช้สำหรับตัดเป็นแนวตรงทั้งตามยาวและตามขวางในไม้เนื้ออ่อนและไม้เนื้อแข็ง รวมทั้งพาร์ติเคิลบอร์ดและไฟเบอร์บอร์ด สามารถตัดมุมเอียงในแนวนอนจาก  $-30^\circ$  ถึง  $+30^\circ$  และมุมเอียงในแนวตั้งจาก  $0^\circ$  ถึง  $45^\circ$

เมื่อใช้ใบเลื่อยที่เหมาะสมยังสามารถเลื่อยไปโฟลอะลูมิเนียมและวัสดุสังเคราะห์ได้อีกด้วย



## ส่วนประกอบที่แสดงภาพ

ลำดับเลขของส่วนประกอบผลิตภัณฑ์อ้างอิงส่วนประกอบของเครื่องมือไฟฟ้าที่แสดงในหน้าภาพประกอบ

- (1) มาตราส่วนสำหรับระยะห่างใบเลื่อยไปยังแผงกำหนดแนวขนาน
  - (2) ฉากหยุดมุม
  - (3) กระจับป้องกัน
  - (4) ลิ้มแยก
  - (5) แผงกำหนดแนวขนาน
  - (6) ส่วนขยายโต๊ะเลื่อย
  - (7) จุดตั้งฉากหยุดมุม
  - (8) รูสำหรับติดตั้ง
  - (9) ประแจแหวน (23 มม.; 13 มม.)
  - (10) ประแจขันหกเหลี่ยม (5 มม.)
  - (11) ที่ยึดสำหรับจัดเก็บกระจับป้องกัน
  - (12) ไม้ดัน
  - (13) ตามทึบสำหรับส่วนขยายโต๊ะเลื่อย
  - (14) ล้อหมุนมือ
  - (15) ขอบเหวี่ยงเพื่อลดหรือยกใบเลื่อย
  - (16) สวิทช์เปิด-ปิด
  - (17) แบตเตอรี่แพ็ค<sup>a)</sup>
  - (18) ตัวหยุดสำหรับมุมเอียง 45° (แนวตั้ง)
  - (19) มาตราส่วนสำหรับมุมเอียง (แนวตั้ง)
  - (20) คันล๊อคสำหรับปรับมุมเอียงในแนวตั้ง
  - (21) เข็มชี้มุม (แนวตั้ง)
  - (22) ตัวหยุดสำหรับมุมเอียง 0° (แนวตั้ง)
  - (23) โต๊ะเลื่อย
  - (24) สกรูปรับสำหรับปรับแรงทึบของแผงกำหนดแนวขนาน
  - (25) แผ่นแทรกโต๊ะ
  - (26) ใบเลื่อย
  - (27) ร่องนำสำหรับแผงกำหนดแนวขนาน
  - (28) แป้นปลดล๊อคแบตเตอรี่<sup>a)</sup>
  - (29) ด้ามถือ
  - (30) ร่องนำสำหรับฉากหยุดมุม
  - (31) ขอตอท่อดูดออก
  - (32) ตัวนำรูปตัว V บนโต๊ะเลื่อยสำหรับแผงกำหนดแนวขนาน
  - (33) ตะแกรงรองพื้น
  - (34) สกรูล็อคของตะแกรงรองพื้น
  - (35) เครื่องหมายคันทึบ/ที่หนีบ
  - (36) คันทึบสำหรับลิ้มแยก
  - (37) หมุดตำแหน่งสำหรับลิ้มแยก
  - (38) สกรูล็อคของแผ่นแทรกโต๊ะ
  - (39) คันทึบสำหรับกระจับป้องกัน
  - (40) หมุดนำสำหรับกระจับป้องกัน
  - (41) ด้ามทึบของแผงกำหนดแนวขนาน
  - (42) ตัวนำรูปตัว V ของแผงกำหนดแนวขนาน
  - (43) แผงกำหนดแนวขนานเพิ่ม
  - (44) ชุดยึด "แผงกำหนดแนวขนานเพิ่ม"
  - (45) รางน้ำของฉากหยุดมุม
  - (46) แผ่นครอบใบเลื่อยด้านล่าง
  - (47) สลักแผ่นครอบใบเลื่อยด้านล่าง
  - (48) รูจับเพื่อยกแผ่นแทรกโต๊ะ
  - (49) นอตยึด
  - (50) คันล๊อคแกน
  - (51) หน้าแปลนยึด
  - (52) หน้าแปลนติดตั้ง
  - (53) แกนเครื่องมือ
  - (54) ลูกบิดล๊อคสำหรับมุมเอียงทั้งหมด (แนวนอน)
  - (55) เข็มชี้มุมบนฉากหยุดมุม
  - (56) แถบแสดงมาตราส่วน
  - (57) เข็มชี้ระยะห่างโต๊ะเลื่อย
  - (58) สกรูหัวร่องกากบาทสำหรับปรับตัวหยุด 0°
  - (59) สกรูสำหรับเข็มชี้มุม (แนวตั้ง)
  - (60) สกรูหัวร่องกากบาทสำหรับปรับตัวหยุด 45°
  - (61) สกรูหัวจมหกเหลี่ยม (5 มม.) ด้านหน้าสำหรับการปรับความขนานของใบเลื่อย
  - (62) สกรูหัวจมหกเหลี่ยม (5 มม.) ด้านท้ายสำหรับการปรับความขนานของใบเลื่อย
  - (63) สกรูสำหรับเข็มชี้ระยะห่างโต๊ะเลื่อย
  - (64) สกรูหัวจมหกเหลี่ยม (5 มม.) สำหรับการปรับความขนานของแผงกำหนดแนวขนาน
  - (65) สกรูสำหรับเข็มชี้ระยะห่างแผงกำหนดแนวขนาน
  - (66) สกรูปรับสำหรับแผ่นแทรกโต๊ะ
  - (67) จุดตั้งไม้ดัน
  - (68) จุดตั้งประแจขันหกเหลี่ยม
  - (69) จุดตั้งประแจแหวน
- a) อุปกรณ์ประกอบที่แสดงภาพหรืออธิบายไม่รวมอยู่ในการจัดส่งมาตรฐาน กรุณาดูอุปกรณ์ประกอบทั้งหมดในรายการแสดงอุปกรณ์ประกอบของเรา

## ข้อมูลทางเทคนิค

เลื่อยตั้งโต๊ะ		GTS 18V-216	GTS 18V-216
หมายเลขสินค้า		3 601 M44 000 3 601 M44 040 3 601 M44 0K0	3 601 M44 0B0
แรงดันไฟฟ้าพิกัด	V=	18	18
ความเร็วรอบเดินเปล่า <sup>A)</sup>	นาที <sup>-1</sup>	4500	4500
การจำกัดกระแสไฟฟ้าเมื่อสตาร์ทเครื่อง		●	●
น้ำหนักตามระเบียบการ EPTA-Procedure 01:2014 <sup>B)</sup>	กก.	20.5-21.6	20.5-21.6
อุณหภูมิโดยรอบที่แนะนำเมื่อชาร์จ	°C	0...+35	0...+35
อุณหภูมิโดยรอบที่อนุญาตเมื่อใช้งาน <sup>C)</sup> และระหว่างการเก็บรักษา	°C	-20...+50	-20...+50
แบตเตอรี่ที่ใช้งานร่วมกันได้		GBA 18V... ProCORE18V...	GBA 18V... ProCORE18V...
แบตเตอรี่ที่แนะนำให้ใช้อย่างเต็มประสิทธิภาพ		ProCORE18V... ≥ 5.5 Ah	ProCORE18V... ≥ 5.5 Ah
เครื่องชาร์จที่แนะนำ		GAL 18... GAX 18... GAL 36...	GAL 18... GAX 18... GAL 36...
ขนาด (รวมชิ้นส่วนของเครื่องที่ถอดออกได้)			
กว้าง x ลึก x สูง	มม.	658 x 332 x 553	658 x 332 x 553
ขนาดของใบเลื่อยที่เหมาะสม			
เส้นผ่าศูนย์กลางใบเลื่อย	มม.	216	216
ความหนาใบ	มม.	<1.5	1.5-2.1
ความหนาฟันเลื่อย/ตรงที่แต่งฟันเลื่อย ต่ำสุด	มม.	>1.7	>2.3
เส้นผ่าศูนย์กลางรูประกอบ	มม.	30	25.4

A) ดำเนินการวัด ณ อุณหภูมิ 20-25 °C พร้อมแบตเตอรี่ ProCORE18V 12.0Ah

B) ขึ้นอยู่กับแบตเตอรี่แพ็คที่ใช้

C) สมรรถภาพจะน้อยลงที่อุณหภูมิ < 0 °C

ขนาดชิ้นงานสูงสุด: (ดู "ขนาดชิ้นงานสูงสุด", หน้า 127)

ค่าอาจแตกต่างกันไปตามผลิตภัณฑ์และขึ้นอยู่กับเงื่อนไขการใช้งานและสภาพแวดล้อม โปรดดูข้อมูลเพิ่มเติมที่เว็บไซต์ [www.bosch-professional.com/wac](http://www.bosch-professional.com/wac)

## แบตเตอรี่

**Bosch** จำหน่ายเครื่องมือไฟฟ้าไร้สายไม่รวมแบตเตอรี่แพ็คคด้วยเช่นกัน คุณสามารถดูได้จากบรรจุภัณฑ์หรือ ขอบเขตการจัดส่งเครื่องมือไฟฟ้าของคุณมีแบตเตอรี่แพ็คหรือไม่

## การชาร์จแบตเตอรี่

► **ใช้เฉพาะเครื่องชาร์จแบตเตอรี่ที่ระบุในข้อมูลทางเทคนิคเท่านั้น** เฉพาะเครื่องชาร์จแบตเตอรี่เหล่านี้เท่านั้นที่เข้าชุดกับแบตเตอรี่ลิเธียม ไอออน ของเครื่องมือไฟฟ้าของท่าน

**หมายเหตุ:** แบตเตอรี่ลิเธียมไอออนถูกจัดตั้งโดยมีการชาร์จไฟบางส่วนตามระเบียบข้อบังคับด้านความปลอดภัย

ประเทศ เพื่อให้แน่ใจว่าแบตเตอรี่จะทำงานได้อย่างสมบูรณ์แบบ ก่อนใช้งานครั้งแรกให้ชาร์จแบตเตอรี่จนเต็ม

## การใส่แบตเตอรี่

ใส่แบตเตอรี่ที่ชาร์จแล้วเข้าไปในตำแหน่งรูล็อกเข้าล็อค



**Bosch** แนะนำให้ใช้แบตเตอรี่ที่มีความจุอย่างน้อย 3.0 Ah



### การถอดแบตเตอรี่

เมื่อต้องการถอดแบตเตอรี่เพื่อกองไฟกักเก็บปลดล็อคแบตเตอรี่และดึงแบตเตอรี่เพื่อกองจากเครื่องมือไฟฟ้าอย่าใช้กำลังดึง

แบตเตอรี่เพ็คมีการล็อก 2 ระดับเพื่อป้องกันไม่ให้แบตเตอรี่แพ็คร่วงหลุดออกมาหากกดแป้นปลดล็อคแบตเตอรี่โดยไม่ตั้งใจ เมื่อแบตเตอรี่ถูกบรรจุอยู่ในเครื่องมือไฟฟ้า สปริงจะยึดแบตเตอรี่ให้เข้าตำแหน่ง

### ไฟแสดงสถานะการชาร์จแบตเตอรี่

ไฟ LED สีเขียวของการแสดงสถานะการชาร์จแบตเตอรี่แสดงสถานะการชาร์จของแบตเตอรี่ ด้วยเหตุผลด้านความปลอดภัยท่านสามารถตรวจสอบสถานะการชาร์จเฉพาะเมื่อเครื่องมือไฟฟ้าหยุดสนิทเท่านั้น

กดปุ่มสำหรับไฟแสดงสถานะการชาร์จแบตเตอรี่  หรือ  เพื่อแสดงสถานะการชาร์จ ท่านสามารถกดได้แม้เมื่อใดถอดแบตเตอรี่ออกแล้ว

หลังจากกดปุ่มสำหรับไฟแสดงสถานะการชาร์จแบตเตอรี่แล้วไฟ LED ไม่ติดขึ้น แสดงว่าแบตเตอรี่บกพร่องและต้องเปลี่ยนใหม่

### แบตเตอรี่-ชนิด GBA 18V...



LED	ความจุ
ไฟส่องสว่างต่อเนื่อง 3× สีเขียว	60-100 %
ไฟส่องสว่างต่อเนื่อง 2× สีเขียว	30-60 %
ไฟส่องสว่างต่อเนื่อง 1× สีเขียว	5-30 %
ไฟกะพริบ 1× สีเขียว	0-5 %

### แบตเตอรี่-ชนิด ProCORE18V...



LED	ความจุ
ไฟส่องสว่างต่อเนื่อง 5× สีเขียว	80-100 %
ไฟส่องสว่างต่อเนื่อง 4× สีเขียว	60-80 %
ไฟส่องสว่างต่อเนื่อง 3× สีเขียว	40-60 %
ไฟส่องสว่างต่อเนื่อง 2× สีเขียว	20-40 %
ไฟส่องสว่างต่อเนื่อง 1× สีเขียว	5-20 %
ไฟกะพริบ 1× สีเขียว	0-5 %

### ข้อแนะนำในการปฏิบัติต่อแบตเตอรี่อย่างเหมาะสมที่สุด

ปกป้องแบตเตอรี่จากความชื้นและน้ำ เก็บรักษาแบตเตอรี่แพ็คในช่วงอุณหภูมิ -20 °C ถึง 50 °C เท่านั้น อย่าปล่อยให้วางแบตเตอรี่แพ็คไว้ในรถยนต์ในช่วงฤดูร้อน

ทำความสะอาดช่องระบายอากาศเป็นครั้งคราวโดยใช้แปรงขนอ่อนที่แห้งและสะอาด

หลังจากชาร์จแบตเตอรี่แล้ว หากแบตเตอรี่แพ็คมีช่วงเวลาทำงานสั้นมาก แสดงว่าแบตเตอรี่แพ็คเสื่อมและต้องเปลี่ยนใหม่ อ่านและปฏิบัติตามข้อสังเกตสำหรับการกำจัดขยะ

### การติดตั้ง

▶ ถอดแบตเตอรี่ออกจากเครื่องมือไฟฟ้าก่อนทำการปรับแต่งใดๆ ที่เครื่องมือไฟฟ้า (ต. ย. เช่น บำรุงรักษา เปลี่ยนเครื่องมือ ฯลฯ) รวมทั้งเมื่อขนย้ายและเก็บรักษา อันตรายจากการบาดเจ็บหากสวิทช์เปิด-ปิดติดขึ้นอย่างไม่ตั้งใจ

### รายการสิ่งของที่จัดส่ง

ก่อนใช้เครื่องมือทำงานเป็นครั้งแรก ให้ตรวจสอบว่าชิ้นส่วนทั้งหมดที่ระบุด้านล่างนี้ได้จัดส่งมาด้วยหรือไม่:

- เลื่อยตัดโต๊ะพร้อมใบเลื่อย (26) และลิ้มแยก (4) ติดตั้งมาแล้ว
- ฉากหยุดมุม (2)
- แผงกำหนดแนวขนาน (5)
- แผงกำหนดแนวขนานเพิ่ม (43)
- ชุดยึด "แผงกำหนดแนวขนานเพิ่ม" (44) (สกรูยึด 2 ตัว ประเก็นวงแหวน 2 ชิ้น นอตปีก 2 ตัว)
- กระบังป้องกัน (3)
- ประแจขันหกเหลี่ยม (10)
- ประแจแหวน (9) ด้วยปลายไขควงร่อง
- ไมตั้น (12)
- แผ่นแทรกโต๊ะ (25)

**หมายเหตุ:** ตรวจสอบเครื่องมือไฟฟ้าเพื่อหาจุดชำรุดที่อาจมีก่อนใช้เครื่องมือไฟฟ้าต่อไปต้องตรวจสอบอุปกรณ์ป้องกันอันตรายว่าทำงานอย่างถูกต้องหรือไม่ ส่วนชำรุดเล็กน้อยใดๆ ต้องได้รับการตรวจสอบอย่างละเอียดถี่ถ้วนเพื่อจะได้มั่นใจว่าเครื่องจะทำงานได้อย่างไม่มีข้อบกพร่อง ตรวจสอบชิ้นส่วนที่เคลื่อนไหวยาวทำงานอย่างถูกต้องและติดขัดหรือไม่ หรือมีชิ้นส่วนเสียหายหรือไม่ ชิ้นส่วนทั้งหมดต้องติดตั้งอย่างถูกต้องและตรงตามเงื่อนไขทั้งหมดเพื่อให้แน่ใจว่าจะทำงานได้อย่างไม่ผิดพลาด ท่านต้องส่งเครื่องไปยังโรงซ่อมที่เชี่ยวชาญและเป็นที่ยอมรับเพื่อทำการซ่อมแซมหรือเปลี่ยนอุปกรณ์ป้องกันอันตรายและชิ้นส่วนที่เสียหายอย่างถูกต้อง

### เครื่องมือเพิ่มเติมที่ต้องใช้ (ไม่อยู่ในรายการสิ่งของที่จัดส่ง):

- ไขควงปากแฉก
- เกจวัดมุมต้องทาบ

### การติดตั้งส่วนประกอบแต่ละชิ้น

- นำชิ้นส่วนทั้งหมดที่จัดส่งมาออกจากหีบห่ออย่างระมัดระวัง
- นำวัสดุหีบห่อทั้งหมดออกจากเครื่องมือไฟฟ้าและอุปกรณ์ประกอบที่จัดส่งมา
- หมุนสกรูล็อค (34) ด้วยปลายประแจแหวน (9) จนสุดไปในทิศทางหมุน "เปิดกุญแจ" และเปิดตะแกรงร่องฟัน (33) (ดูภาพประกอบ a)
- เอาวัสดุบรรจุภัณฑ์ใต้ลิ้นกอมเมอโรออกมาแล้ว

ชิ้นส่วนของเครื่องต่อไปนี้ถูกยึดกับตัวเรือนโดยตรง: ไม้ดัน (12), ประแจแหวน (9), ประแจขันหกเหลี่ยม (10), แฉงกำหนดแนวขนาน (5), ฉากหยุดมุม (2), ขอดต่อท่อคุดออก (31), แฉงกำหนดแนวขนานเพิ่ม (43) พร้อมชุดยึด (44), กระบ้งป้องกัน (3)

– หากท่านต้องใช้ชิ้นส่วนของเครื่องขึ้นใดชิ้นหนึ่ง ให้เอาออกจากตำแหน่งจัดเก็บอย่างระมัดระวัง

#### การจัดตำแหน่งลิ้มแยก (รูปภาพประกอบ b1-b2)

**หมายเหตุ:** หากจำเป็น ให้ทำความสะอาดชิ้นส่วนทั้งหมดที่จะติดตั้งก่อนจัดวางตำแหน่ง

- หมุนขอเหวี่ยง (15) ตามเข็มนาฬิกาจนสุดเพื่อให้ใบเลื่อย (26) อยู่ในตำแหน่งสูงสุดเหนือโต๊ะเลื่อย
- คลายคันทึบ (36) ตามเข็มนาฬิกาจนกระทั่งเข็มชี้ขึ้นด้านบน
- เลื่อนลิ้มแยก (4) ไปในทิศทางคันทึบ (36) จนสามารถดึงขึ้นด้านบน
- ดึงลิ้มแยกทั้งหมดขึ้นด้านบนจนอยู่ในตำแหน่งเหนือกึ่งกลางใบเลื่อยพอดี
- ปล่อยให้หมุดทั้งสอง (37) ขบเข้าในรูด้านล่างที่ลิ้มแยกและขันคันทึบ (36) กลับใหม่บนอีกครั้ง
- เครื่องหมาย (35) บริเวณตัวหมุดและคันทึบ (36) ต้องชี้ขึ้นด้านบน

#### การติดตั้งแผ่นแทรกโต๊ะ (รูปภาพประกอบ c)

- วางแผ่นแทรกโต๊ะ (25) เหนือลิ้มแยก (4) ในช่องเครื่องมือ
- หมุนสลกรูด (38) ด้วยปลายประแจแหวน (9) จนสุดไปในทิศทางหมุน "ปิดกฏญแจ"

ด้านบนของแผ่นแทรกโต๊ะ (25) จะต้องราบเป็นระดับเดียวกันหรืออยู่ต่ำกว่าโต๊ะเลื่อยเล็กน้อย ด้านท้ายจะต้องราบเป็นระดับเดียวกันหรืออยู่เหนือโต๊ะเลื่อยเล็กน้อย

#### การติดตั้งกระบ้งป้องกัน (รูปภาพประกอบ d1-d2)

**หมายเหตุ:** ติดตั้งกระบ้งป้องกันเฉพาะเมื่อลิ้มแยกอยู่ในตำแหน่งด้านบนสุดเหนือกึ่งกลางใบเลื่อยพอดี (รูปภาพประกอบ b2) อย่าติดตั้งกระบ้งป้องกันเมื่อลิ้มแยกอยู่ในตำแหน่งต่ำสุด (สภาพจัดส่งจากโรงงานหรือตำแหน่งเลื่อยรอง) (รูปภาพประกอบ b1)

- คลายคันทึบ (39) ออกและถอดกระบ้งป้องกัน (3) ออกจากที่ยึด (11)
- จับการูดใบเลื่อย (รางโลหะด้านบน) ของกระบ้งป้องกัน (3) ให้แน่นด้วยมือข้างหนึ่ง และเลื่อนคันทึบ (39) ขึ้นด้วยมืออีกข้างหนึ่ง
- ดันหมุดนำ (40) ไปด้านหลังลงในร่องบนลิ้มแยก (4)
- เลื่อนกระบ้งป้องกัน (3) ลงจนการูดใบเลื่อย (รางโลหะด้านบน) ขนานกับพื้นผิวโต๊ะเลื่อย (23)
- ดันคันทึบ (39) ลง คันทึบต้องขบเข้าอย่างรู้สึกได้และได้ยินเสียง กระบ้งป้องกัน (3) ต้องถูกติดตั้งอย่างแน่นหนาและปลอดภัย
- ▶ **ก่อนใช้งานแต่ละครั้งให้ตรวจสอบว่ากระบ้งป้องกันเคลื่อนไหวได้อย่างถูกต้อง อย่าใช้เครื่องมือไฟฟ้าหากกระบ้งป้องกันไม่สามารถเคลื่อนไหวได้อย่างอิสระและไม่ปิดทันที**

#### การติดตั้งแฉงกำหนดแนวขนาน (รูปภาพประกอบ e)

ท่านสามารถวางแฉงกำหนดแนวขนาน (5) ได้ทั้งทางซ้ายหรือทางขวาของใบเลื่อย

- คลายคันทึบ (41) ของแฉงกำหนดแนวขนาน (5) ออกในลักษณะนี้ตัวนำรูปตัว V (42) จะถูกปลด
- ในขั้นแรกให้สอดแฉงกำหนดแนวขนานโดยให้ตัวนำรูปตัว V อยู่ในร่องตัวนำ (32) ของโต๊ะเลื่อย จากนั้นจึงจัดแฉงกำหนดแนวขนานให้เขาในร่องนำคานหนา (27) ของโต๊ะเลื่อย ตอนนี้ท่านสามารถเลื่อนแฉงกำหนดแนวขนานได้อย่างอิสระ
- เมื่อต้องการล็อกแฉงกำหนดแนวขนานให้กดคันทึบ (41) ลง

#### การติดตั้งแฉงกำหนดแนวขนานเพิ่ม (รูปภาพประกอบ f)

**สำหรับการเลื่อยชิ้นงานแคมและการเลื่อยมุมเฉียงในแนวตั้ง** ท่านต้องติดตั้งแฉงกำหนดแนวขนานเพิ่ม (43) เข้ากับแฉงกำหนดแนวขนาน (5) แฉงกำหนดแนวขนานเพิ่มสามารถติดตั้งทางซ้ายหรือทางขวาเข้ากับแฉงกำหนดแนวขนาน (5) ได้ตามต้องการ

สำหรับการติดตั้งให้ใช้ชุดยึด "แฉงกำหนดแนวขนานเพิ่ม" (44) (สลกรูด 2 ตัว ประเก็นวงแหวน 2 ชิ้น นอตปิก 2 ตัว)

- ใส่สลกรูดผ่านรูด้านข้างในแฉงกำหนดแนวขนาน (5)
- หัวของสลกรูดทำหน้าที่เป็นตัวนำสำหรับแฉงกำหนดแนวขนานเพิ่ม
- เลื่อนแฉงกำหนดแนวขนานเพิ่ม (43) ไปเหนือหัวของสลกรูด
- ประกอบประเก็นวงแหวนเข้ากับสลกรูดและยึดให้แน่นด้วยนอตปิก

#### การติดตั้งฉากหยุดมุม (รูปภาพประกอบ g)

- สอดรางนำ (45) ของฉากหยุดมุม (2) เข้าในร่องนำ (30) ร่องใดร่องหนึ่งของโต๊ะเลื่อยที่ทำไว้สำหรับจุดประสงค์นี้

#### การติดตั้งแบบประจำที่หรือแบบคล่องตัว

- ▶ **เพื่อความปลอดภัยให้ได้อย่างปลอดภัย ก่อนใช้งานต้องติดตั้งเครื่องบนพื้นผิวที่มั่นคงและราบเสมอกัน (ต. ย. เช่น โต๊ะทำงานของช่าง)**

#### การติดตั้งบนพื้นที่ทำงาน (รูปภาพประกอบ h)

- ยึดเครื่องมือไฟฟ้าเข้ากับพื้นผิวทำงานด้วยสลกรูดที่เหมาะสม สำหรับการยึดให้ใช้รู (8)

#### การติดตั้งบนโต๊ะทำงานของบอช (รูปภาพประกอบ i)

โต๊ะทำงานของ Bosch (ต. ย. เช่น GTA 560) มีขาปรับระดับความสูงได้ทำให้สามารถกำหนดเครื่องมือไฟฟ้าได้อย่างมั่นคงบนทุกพื้นผิว

- ▶ **อ่านคำเตือนเพื่อความปลอดภัยและคำสั่งทั้งหมดที่แนบมากับโต๊ะเลื่อย** การไม่ปฏิบัติตามคำเตือนเพื่อความปลอดภัยและคำสั่งอาจเป็นสาเหตุให้ถูกไฟฟ้าดูด เกิดไฟไหม้ และ/หรือได้รับบาดเจ็บอย่างร้ายแรง
- ▶ **ต่อโต๊ะทำงานอย่างถูกต้องก่อนติดตั้งเครื่องมือไฟฟ้า** จำเป็นต้องต่อให้เรียบร้อยถูกต้องเพื่อหลีกเลี่ยงอันตรายจากการลมนคว่ำ
- ติดตั้งเครื่องมือไฟฟ้าในตำแหน่งขนานบนโต๊ะทำงาน

## การดูดฝุ่น/ซีลื้อย

ฝุ่นที่ได้จากวัสดุ เช่น เคลือบผิวที่มีสารตะกั่ว ไม้ยางประเภท แรชาด และโลหะ อาจเป็นอันตรายต่อสุขภาพ การสัมผัสหรือการหายใจเอาฝุ่นเข้าไปอาจทำให้เกิดปฏิกิริยาแพ้ ฝุ่น และ/หรือนำมาซึ่งโรคติดเชื้อระบบหายใจของผู้ใช้เครื่องหรือผู้ที่ยืนอยู่ใกล้เคียง

ฝุ่นบางประเภท เช่น ฝุ่นไม้โอ๊ก หรือไม้บีช นับ เป็นสารที่ทำให้เกิดมะเร็ง โดยเฉพาะอย่างยิ่งเมื่อผสม กับสารเติมแต่งเพื่อบำบัดไม้ (โครเมต ผลิตภัณฑ์รักษาเนื้อไม้) สำหรับวัสดุที่มีแอลเบสทอสตองใหญ่เขียวขายทำงานเท่านั้น

- ใช้ระบบดูดฝุ่นออกที่เหมาะสมกับประเภทวัสดุ มากเท่าที่จะทำได้
- จัดสถานที่ทำงานให้มีการระบายอากาศที่ดี
- ขอแนะนำให้สวมหน้ากากป้องกันการติดเชื้อที่มีระดับ-ไส้กรอง P2

ปฏิบัติตามกฎข้อบังคับสำคัญอื่นๆ ที่เกี่ยวกับวัสดุชิ้นงานที่บังคับใช้ในประเทศของท่าน

### ▶ ป้องกันการสะสมของฝุ่นในสถานที่ทำงาน

ฝุ่นสามารถถูกไหลอย่างง่ายตาย

อุปกรณ์ดูดฝุ่น/ซีลื้อยอาจดูดคืนด้วยฝุ่น ซีลื้อย หรือสะเก็ดชิ้นงาน

- ปิดสวิทช์เครื่องมือไฟฟ้าและถอดแบตเตอรี่เพื่อออก
- รอจนใบเลื่อยหยุดสนิท
- หาลาเหตุของการอุดตันและทำการแก้ไข

### ▶ เพื่อป้องกันการเกิดไฟไหม้เมื่อเลื่อยอะลูมิเนียม ให้แขวงครอบใบเลื่อยในช่องพ่นที่ขมออก และอย่าใช้การดูดฝุ่น/ซีลื้อย

## หาความสะอาดแผงปิดใบเลื่อยด้านล่าง (ดูภาพประกอบ j)

ท่านสามารถทั้งสะเก็ดชิ้นงานและเศษตัดชิ้นใหญ่ได้โดยเปิดแผงปิดใบเลื่อย (46)

- ปิดสวิทช์เครื่องมือไฟฟ้าและถอดแบตเตอรี่เพื่อออกจากเครื่องมือไฟฟ้า
- รอจนใบเลื่อยหยุดสนิท
- เอียงเครื่องมือไฟฟ้าไปทางด้านข้าง
- เปิดเปิดตะแกรงรองพื้น (33) (ดูภาพประกอบ a)
- ดึงสลัก (47) ของแผงปิดใบเลื่อยด้านล่างออกจากกันเล็กน้อยและพับเปิดแผงปิดใบเลื่อย (46)
- เอาเศษและสะเก็ดชิ้นงานออก
- พับปิดแผงปิดใบเลื่อย (46) เข้าอีกครั้ง จนกระทั่งสลัก (47) ล็อคเข้าอีกครั้ง
- ปิดตะแกรงรองพื้น (33)
- จัดเครื่องมือไฟฟ้าให้อยู่ในตำแหน่งทำงาน

## การดูดฝุ่นด้วยเครื่องดูดฝุ่นภายนอก (ดูภาพประกอบ k)

- สวมท่อดูดฝุ่นที่เข้ากันได้เข้าในข้อต่อท่อดูดออก (31) เครื่องดูดฝุ่นต้องมีลักษณะการใช้งานที่เหมาะสมกับประเภทวัสดุชิ้นงาน

ในกรณีดูดฝุ่นแห้งที่เป็นอันตรายต่อสุขภาพอย่างยิ่งหรืออาจก่อให้เกิดมะเร็งได้ ให้ใช้เครื่องดูดฝุ่นพิเศษ

## การเปลี่ยนใบเลื่อย (ดูภาพประกอบ L1-L4)

▶ ถอดแบตเตอรี่ออกจากเครื่องมือไฟฟ้าก่อนทำการปรับแต่งใบที่เครื่องมือไฟฟ้า (ดู ย. เช่น บำรุงรักษา เปลี่ยนเครื่องมือ ฯลฯ) รวมทั้งเมื่อขนย้ายและเก็บรักษา อันตรายจากการบาดเจ็บหากสวิทช์เปิด-ปิดติดขึ้นอย่างไม่ตั้งใจ

- ▶ สวมถุงมือป้องกันอันตรายเมื่อติดตั้งใบเลื่อย อันตรายจากการบาดเจ็บ
- ▶ ใช้เฉพาะใบเลื่อยที่มีความเร็วสูงสุดที่อนุญาตสูงกว่าความเร็วรอบตัวเปล่าของเครื่องมือไฟฟ้า
- ▶ ใช้เฉพาะใบเลื่อยที่ตรงตามข้อกำหนดที่ระบุไว้ในคู่มือการใช้งานนี้และบนเครื่องมือไฟฟ้า และทำตามการทดสอบตามมาตรฐาน EN 847-1 และทำเครื่องหมายไว้เท่านั้น
- ▶ ใช้เฉพาะใบเลื่อยที่บริษัทผู้ผลิตเครื่องมือแนะนำให้ใช้และต้องเป็นใบเลื่อยที่เหมาะสมสำหรับเลื่อยวัสดุที่ต้องการตัด
- ▶ อย่าใช้ใบเลื่อยที่ทำจากเหล็กกล้าความเร็วสูง (High Speed Steel, HSS) ใบเลื่อยนี้แตกง่าย

### การถอดใบเลื่อย

- เปิดคันทับ (39) และดึงกระบังป้องกัน (3) ออกจากรอบบนลิ้มแยก (4)
- หมุนสลกรูล็อค (38) ด้วยปลายประแจแหวน (9) จนสุดไปในทิศทางหมุน "เปิดกุญแจ" (25) ออกจากในของเครื่องมือ รูจับ (48) ช่วยให้อาจถอดได้ง่ายขึ้น
- หมุนข้อเหวี่ยง (15) ตามเข็มนาฬิกาจนสุดเพื่อให้ใบเลื่อย (26) อยู่ในตำแหน่งสูงสุดเหนือโต๊ะเลื่อย
- หมุนน็อตยึด (49) ด้วยประแจแหวน (9) และในขณะที่เดียวกันให้ดึงคันทับล็อคแกน (50) จนพบเขาล็อค
- ดึงคันทับล็อคแกนไว้และขันน็อตยึดออกโดยหมุนทวนเข็มนาฬิกา
- ถอดหน้าแปลนยึด (51) ออก
- ถอดใบเลื่อย (26) ออก

### การติดตั้งใบเลื่อย

- ก่อนทำการติดตั้งให้หาความสะอาดชิ้นส่วนที่จะติดตั้งทั้งหมด หากจำเป็น
- สวมใบเลื่อยใหม่เข้าบนหน้าแปลนติดตั้ง (52) ของแกนเครื่องมือ (53)

หมายเหตุ: อย่าใช้ใบเลื่อยที่มีขนาดเล็กเกินไป ระยะห่างในแนวรัศมีระหว่างใบเลื่อยและลิ้มแยกสูงสุดต้องไม่เกิน 3 - 8 มม.

▶ เมื่อติดตั้งใบเลื่อยให้ตรวจสอบให้แน่ใจว่าทิศทางตัดของฟัน (ทิศทางลูกศรบนใบเลื่อย) ตรงกับทิศทางลูกศรบนลิ้มแยก!

- ประกอบหน้าแปลนยึด (51) และน็อตยึด (49) เข้า
- หมุนน็อตยึด (49) ด้วยประแจแหวน (9) และในขณะที่เดียวกันให้ดึงคันทับล็อคแกน (50) จนพบเขาล็อค
- ขันน็อตยึดตามเข็มนาฬิกาเข้าให้แน่น
- วางแผ่นแทรกโต๊ะ (25) เหนือลิ้มแยก (4) ในช่องเครื่องมือ หมุนสลกรูล็อค (38) ด้วยปลายประแจแหวน (9) จนสุดไปในทิศทางหมุน "เปิดกุญแจ"
- ติดตั้งกระบังป้องกัน (3) อีกครั้ง

## การปฏิบัติงาน

- ▶ ถอดแบตเตอรี่ออกจากเครื่องมือไฟฟ้าก่อนทำการปรับแต่งใดๆ ที่เครื่องมือไฟฟ้า (ดู. ย. เช่น บำรุงรักษา เปลี่ยนเครื่องมือ ฯลฯ) รวมทั้งเมื่อขนย้ายและเก็บรักษา อันตรายจากการบาดเจ็บหากสวิตช์เปิด-ปิดติดขึ้นอย่างไม่ตั้งใจ

### ตำแหน่งขนย้ายและตำแหน่งทำงานของใบเลื่อย

#### ตำแหน่งขนย้าย

- ถอดกระบังป้องกัน (3) ออก ถอดแผ่นแทรกโต๊ะ (25) ออก และจัดวางลิ้มแยก (4) ในตำแหน่งต่ำสุด โสแผนแทรกโต๊ะ (25) เข้าอีกครั้ง
- หมุนข้อเหวี่ยง (15) ทวนเข็มนาฬิกาจนฟันของใบเลื่อย (26) อยู่ใต้โต๊ะเลื่อย (23)
- เลื่อนส่วนขยายโต๊ะเลื่อย (6) เข้าด้านในทั้งหมด กดตามหนีบ (13) ลง ในลักษณะนี้ส่วนขยายโต๊ะเลื่อยจะถูกล็อก

#### ตำแหน่งทำงาน

- จัดวางลิ้มแยก (4) ในตำแหน่งบนสุดเหนือกึ่งกลางใบเลื่อยพอด โสแผนแทรกโต๊ะ (25) เข้า และติดตั้งกระบังป้องกัน (3)
- หมุนข้อเหวี่ยง (15) ตามเข็มนาฬิกาจนฟันของใบเลื่อย (26) อยู่เหนือชิ้นงานประมาณ 3 - 6 มม.

### การเพิ่มขนาดของโต๊ะเลื่อย

ต้องหมุนส่วนปลายของชิ้นงานที่หนักและมีขนาดยาวที่ลอยอยู่

#### ส่วนขยายโต๊ะเลื่อย (ดูภาพประกอบ A)

ส่วนขยายโต๊ะเลื่อย (6) เพิ่มความกว้างของโต๊ะเลื่อย (23) ทางด้านขวา

- ดึงตามหนีบ (13) ของส่วนขยายโต๊ะเลื่อยขึ้นด้านบนทั้งหมด
- ดึงส่วนขยายโต๊ะเลื่อย (6) ออกตามความยาวที่ต้องการ
- กดตามหนีบ (13) ลง ในลักษณะนี้ส่วนขยายโต๊ะเลื่อยจะถูกล็อก

### การปรับมุมเอียงในแนวตั้งและแนวนอน

เพื่อให้แน่ใจว่าจะติดตั้งงานได้อย่างแม่นยำ หลังการใช้งาน หนักรถต้องตรวจสอบการปรับพื้นฐานของเครื่องมือไฟฟ้า และปรับตั้ง หากจำเป็น

#### การปรับมุมเอียงในแนวตั้ง (ใบเลื่อย) (ดูภาพประกอบ B)

มุมเอียงในแนวตั้งสามารถปรับตั้งได้ในช่วงระหว่าง 0° ถึง 45°

- คลายคันล็อก (20) ออกในทิศทวนเข็มนาฬิกา
- หมายเหตุ:** หากคลายคันล็อกออกจนหมด แรงโน้มถ่วงจะทำให้ใบเลื่อยเอียงไปในตำแหน่งที่เท่ากับประมาณ 30°
- ดึงหรือดันล้อหมนมมือ (14) ไปตาม slotted link จนเข็มชี้มุม (21) แสดงมุมเอียงในแนวตั้งที่ต้องการ
- จับล้อหมนมมือไว้ในตำแหน่งนี้และยึดคันล็อก (20) กลับให้แน่นอีกครั้ง

สำหรับการปรับมุมมาตรฐานในแนวตั้ง 0° และ 45° อย่างรวดเร็วและแม่นยำ มีตัวหยุด ((22), (18)) ที่ตั้งมาจากโรงงาน

### การปรับมุมเอียงในแนวนอน (ฉากหยุดมุม) (ดูภาพประกอบ C)

มุมเอียงในแนวนอนสามารถปรับตั้งได้ในช่วงระหว่าง 30° (ด้านซ้าย) ถึง 30° (ด้านขวา)

- คลายลูกบิดล็อก (54) ออกหากถูกขันแน่น
- หมุนฉากหยุดมุมจนเข็มชี้มุม (55) แสดงมุมเอียงที่ต้องการ
- ขันลูกบิดล็อก (54) เข้าอีกครั้ง

### การปรับแ่งกำหนดแนวขนาน

แ่งกำหนดแนวขนาน (5) สามารถจัดวางได้ทั้งทางซ้าย (มาตราส่วนสีดำ) หรือทางขวา (มาตราส่วนสีเงิน) ของใบเลื่อย เครื่องหมายในแ่งแสดงมาตราส่วน (56) แสดงระยะห่างที่ตั้งไว้ระห่างแ่งกำหนดแนวขนานและใบเลื่อยบนมาตราส่วน (1)

จัดวางแ่งกำหนดแนวขนานบนด้านที่ต้องการของใบเลื่อย (ดู "การติดตั้งแ่งกำหนดแนวขนาน (ดูภาพประกอบ e)", หน้า 124)

#### การปรับแ่งกำหนดแนวขนานเมื่อไม่ตั้งโต๊ะเลื่อยออก

- คลายตามหนีบ (41) ของแ่งกำหนดแนวขนาน (5) ออก เลื่อนแ่งกำหนดแนวขนานจนเครื่องหมายในแ่งแสดงมาตราส่วน (56) แสดงระยะห่างจากใบเลื่อยที่ต้องการ เมื่อไม่ตั้งโต๊ะเลื่อยออกให้ใช้เครื่องหมายด้านล่างของมาตราส่วนสีเงิน (1)
- เมื่อต้องการล็อกให้กดตามหนีบ (41) ลงอีกครั้ง

#### การปรับแ่งกำหนดแนวขนานเมื่อตั้งโต๊ะเลื่อยออก (ดูภาพประกอบ D)

- จัดวางแ่งกำหนดแนวขนานบนด้านขวาของใบเลื่อย เลื่อนแ่งกำหนดแนวขนานจนเครื่องหมายใน แ่งแสดงมาตราส่วน (56) แสดงบนมาตราส่วนด้านล่าง 29 ซม. เมื่อต้องการล็อกให้กดตามหนีบ (41) ลงอีกครั้ง
- ดึงตามหนีบ (13) ของส่วนขยายโต๊ะเลื่อยขึ้นด้านบนทั้งหมด
- ดึงส่วนขยายโต๊ะเลื่อย (6) ออกมาด้านนอกจนเข็มชี้ระยะห่าง (57) แสดงระยะห่างจากใบเลื่อยที่ต้องการบนมาตราส่วนด้านบน
- กดตามหนีบ (13) ลง ในลักษณะนี้ส่วนขยายโต๊ะเลื่อยจะถูกล็อก

### การปรับแ่งกำหนดแนวขนานเพิ่ม (ดูภาพประกอบ E)

สำหรับการเลื่อยชิ้นงานแคบและการเลื่อยมุมเอียงในแนวตั้ง ท่านต้องติดตั้งแ่งกำหนดแนวขนานเพิ่ม (43) เข้ากับแ่งกำหนดแนวขนาน (5)

แ่งกำหนดแนวขนานเพิ่มสามารถติดตั้งทางซ้ายหรือทางขวา เข้ากับแ่งกำหนดแนวขนาน (5) ได้ตามต้องการ ขณะเลื่อย ชิ้นงานอาจเกิดติดขัดอยู่ระหว่างแ่งกำหนดแนวขนานและใบเลื่อย ถูกใบเลื่อยส่วนขึ้นเกี่ยวจับและเหวี่ยงออกไป

ดังนั้นจึงควรปรับตั้งแ่งกำหนดแนวขนานเพิ่มในลักษณะให้ตอนท้ายของแ่งอยู่ระหว่างฟันหน้าของใบเลื่อยและขอบด้านหน้าของลิ้มแยก

- สำหรับการปรับตั้ง ให้คลายนอตปีกทั้งหมดของชุดยึด (44) ออก และเลื่อนแผ่นกำหนดแนวขนานเพิ่มจนโชเพียงสกรูด้านหน้าสองตัวเท่านั้นสำหรับยึด
- ยึดนอตปีกกลับให้แน่นอีกครั้ง

### การปรับลิ้มแยก

- ลิ้มแยก (4) ช่วยป้องกันใบเลื่อย (26) ไม่ให้ติดขัดในร่องตัด มีดะนั้นจะเกิดความเสียหายจากการตีกลับหากใบเลื่อยถูกบีบอัดอยู่ในชิ้นงาน
- ดูแลให้ลิ้มแยกได้รับการปรับอย่างถูกต้องเสมอ:
- ระยะห่างในแนวรัศมีระหว่างใบเลื่อยและลิ้มแยกสูงสุดต้องไม่เกิน 3 - 8 มม.
  - ความหนาของลิ้มแยกต้องน้อยกว่าความกว้างการตัดและมากกว่าความหนาของใบเลื่อย
  - ลิ้มแยกต้องอยู่ในแนวเดียวกับกับใบเลื่อยเสมอ
  - สำหรับกาวติดปกติ ลิ้มแยกต้องอยู่ในตำแหน่งสูงสุดเท่าที่เป็นไปได้เสมอ

### การปรับความสูงของลิ้มแยก (ดูภาพประกอบ F)

- สำหรับการเลื่อยร่อง ต้องปรับความสูงของลิ้มแยก
- ▶ **โชเครื่องมือไฟฟ้าสำหรับเขาระร่องหรือทำรอยบากร่วมกับอุปกรณ์ป้องกันที่เหมาะสมเท่านั้น (ค. ย. เช่น กระบ้งป้องกันทรงอู่มองค หวีตันไม้)**
  - เบ็ดคันทึบ (39) และดิงกระบ้งป้องกัน (3) ออกจากร่องบนลิ้มแยก (4) สำหรับการป้องกันไม่ให้กระบ้งป้องกันเสียหาย ให้จัดเก็บไว้ในที่ยึด (11) ที่ใหม่บนตัวเรือน (ดูภาพประกอบ O2) ดอย
  - หมุนข้อเหวี่ยง (15) ตามเข็มนาฬิกาจนสุดเพื่อให้ใบเลื่อย (26) อยู่ในตำแหน่งสูงสุดเหนือโต๊ะเลื่อย
  - คุลาคันทึบ (36) ตามเข็มนาฬิกาจนกระทั่งเข็มชี้ขึ้นด้านบน
  - ดึงลิ้มแยกออกจากหมด (37) (ดิงคันทึบ (36) ออกจากด้านบนเล็กน้อย) และดันลิ้มแยก (4) ลงจนสุด
  - ปลดให้หมดทั้งสอง (37) ขมเข้าในรูด้านบนที่ลิ้มแยกและขันคันทึบ (36) กลับให้แน่นอีกครั้ง
  - เครื่องมืออายุ (35) บริเวณตัวหนีบและคันทึบ คันทึบ (36) ต้องชี้ขึ้นด้านบน

### การเริ่มต้นปฏิบัติงาน

#### เปิดสวิตช์ (ดูภาพประกอบ G1)

- เมื่อต้องการเริ่มต้นทำงานให้กดสวิตช์เปิด-ปิดทั้งสองด้าน (16) และกดค้างไว้

#### ปิดสวิตช์ (ดูภาพประกอบ G2)

- กดสวิตช์เปิด-ปิด (16) ลงจนสุด

#### การป้องกันการใช้งานซึ่งไม่พึงประสงค์ (ดูภาพประกอบ G3)

- สำหรับการป้องกันการใช้งานซึ่งไม่พึงประสงค์ ท่านสามารถกันสวิตช์เปิด-ปิด (16) ได้ด้วยแม่กุญแจ
- เลื่อนแม่กุญแจผ่านรูเข้าในสวิตช์เปิด-ปิด (16) โดยใช้คานขนาดยาวและล็อคเข้า

### ข้อแนะนำในการทำงาน

#### คำแนะนำทั่วไปสำหรับการเลื่อย

- ▶ สำหรับการตัดทั้งหมด อันตรกณ์ต้องตรวจสอบให้แน่ใจว่าใบเลื่อยจะไม่สามารถสัมผัสกับตัวหยุดหรือชิ้นส่วนอื่นๆ ของเครื่องตลอดเวลา
- ▶ ใช้เครื่องมือไฟฟ้าสำหรับเขาระร่องหรือทำรอยบากร่วมกับอุปกรณ์ป้องกันที่เหมาะสมเท่านั้น (ค. ย. เช่น กระบ้งป้องกันทรงอู่มองค หวีตันไม้)
- ▶ **อย่าใช้เครื่องมือไฟฟ้าสำหรับตัดช่องที่แคบยาว (ร่องลึนสุดในชิ้นงาน)**

ป้องกันใบเลื่อยไม่ให้ถูกกระทบกระแทก อย่ากดใบเลื่อยลงทางด้านขวา

ลิ้มแยกต้องอยู่ในแนวเดียวกับกับใบเลื่อยเพื่อป้องกันไม่ให้ชิ้นงานติดขัด

อย่าเลื่อยชิ้นงานที่บิดเบี้ยว ชิ้นงานต้องมีขอบตรงเสมอเพื่อประกบกับแผ่นกำหนดแนวขนาน

#### ตำแหน่งของผู้ใช้งานเครื่อง (ดูภาพประกอบ H)

- ▶ **อย่ายืนในแนวเดียวกับกับใบเลื่อยโดยตรงอย่างเด็ดขาด** ใหวางตำแหน่งของลำตัวของท่านไว้ด้านเดียวกับกับใบเลื่อยและรัศมีเสมอ การตีกลับอาจดันชิ้นงานอย่างรวดเร็วไปยังทุกๆ คนที่ยืนอยู่ตรงหน้าและอยู่ในแนวเดียวกับกับใบเลื่อย
  - เอามือ นิ้ว และแขนออกห่างจากใบเลื่อยที่กำลังหมุน
- ปฏิบัติตามคำสั่งต่อไปนี้:
- จับชิ้นงานอย่างแน่นหนาด้วยมือทั้งสองข้างและกดทาบกับโต๊ะเลื่อยอย่างมั่นคง
  - สำหรับชิ้นงานแคบและสำหรับการเลื่อยมุมเฉียงในแนวตั้ง ให้ใช้ไม้คั้น (12) และแผ่นกำหนดแนวขนานเพิ่ม (43) ที่จัดส่งมาเสมอ

#### ขนาดชิ้นงานสูงสุด

มุมเอียงในแนวตั้ง	ความสูงชิ้นงานสูงสุด [มม.]
0°	70
45°	50

### การเลื่อย

#### การเลื่อยตัดตรง

- ปรับแผ่นกำหนดแนวขนาน (5) ตามความกว้างการตัดที่ต้องการ
- วางชิ้นงานบนโต๊ะเลื่อยที่ด้านหน้ากระบ้งป้องกัน (3)
- ยกหรือลดใบเลื่อยด้วยข้อเหวี่ยง (15) จนพื้นบนของใบเลื่อย (26) อยู่เหนือชิ้นงานประมาณ 3 - 6 มม.
- เปิดสวิตช์เครื่องมือไฟฟ้า
- เลื่อยผ่านชิ้นงานด้วยอัตราป้อนคงที่ หากใช้แรงกดมากเกินไป ไปปลายใบเลื่อยอาจร่อนเกินไป และชิ้นงานอาจเสียหายได้
- ปิดสวิตช์เครื่องมือไฟฟ้าและร่อนใบเลื่อยหยุดสนิท

### การเลื่อยมุมเอียงในแนวตั้ง

- ปรับตั้งมุมเอียงในแนวตั้งของใบเลื่อยที่ต้องการ เมื่อใบเลื่อยเอียงไปทางซ้าย แผลงกำหนดแนวขนาน (5) ต้องอยู่ทางคานขวาของใบเลื่อย
- ทำตามขั้นตอนการทำงาน: (ดู "การเลื่อยตัดตรง", หน้า 127)

### การเลื่อยมุมเอียงในแนวนอน (ดูภาพประกอบ I)

- ปรับมุมเอียงในแนวนอนที่ต้องการที่ฉากหยุดมุม (2)
- วางชิ้นงานชิดกับฉากหยุดมุม (2)
- ยกหรือลดใบเลื่อยด้วยขอเหวี่ยง (15) โดยให้ฟันบนของใบเลื่อยอยู่เหนือชิ้นงานประมาณ 5 มม.
- เปิดสวิทช์เครื่องมือไฟฟ้า
- กดชิ้นงานทาบกับฉากหยุดมุม ด้วยมือข้างหนึ่ง และจับลูกบิดลอค (54) เพื่อเลื่อนฉากหยุดมุมไปข้างหน้าในร่องนำ (30) อย่างช้าๆ ด้วยมืออีกข้างหนึ่ง
- ปิดสวิทช์เครื่องมือไฟฟ้าและรองใบเลื่อยหยุดสนิท

### การตรวจสอบและปรับตั้งการปรับพื้นฐาน

เพื่อให้แน่ใจว่าจะตัดชิ้นงานได้อย่างแม่นยำ หลังการใช้งานหนักงานต้องตรวจสอบการปรับพื้นฐานของเครื่องมือไฟฟ้าและปรับตั้ง หากจำเป็น สำหรับเรื่องนี้งานต้องมีประสบการณ์และเครื่องมือพิเศษที่สอดคล้องกัน

ศูนย์บริการลูกค้า บอช  
ให้บริการบำรุงรักษาได้รวดเร็วและเชื่อถือได้

### การปรับตัดหยุดสำหรับมุมเอียงมาตรฐานในแนวตั้ง 0°/45°

- จัดเครื่องมือไฟฟ้าให้อยู่ในตำแหน่งทำงาน
- ตั้งมุมเอียงในแนวตั้งของใบเลื่อยที่ 0°
- ถอดกระบะป้องกัน (3) ออก

### การตรวจสอบ (ดูภาพประกอบ J1)

- ถอดแผ่นแทรกโต๊ะ (25) (ดู "การติดตั้งแผ่นแทรกโต๊ะ (ดูภาพประกอบ c)", หน้า 124)
- ตั้งเกจวัดมุมที่ 90° และวางไม้นนโต๊ะเลื่อย (23)

ขาของเกจวัดมุมต้องทาบเรียบกับใบเลื่อย (26) ตลอดความยาวทั้งหมด

### การปรับ (ดูภาพประกอบ J2)

- คลายสลกรู (58) ออก ในลักษณะนี้จะสามารถเลื่อนตัวหยุด 0° (22) ได้
- คลายคั่นลอค (20) ออก
- เลื่อนลอคหมุนมือ (14) ไปทางตัวหยุด 0° จนขาของเกจวัดมุมทาบเรียบกับใบเลื่อยตลอดความยาวทั้งหมด
- จับลอคหมุนมือไว้ในตำแหน่งนี้ และยึดคั่นลอค (20) กลับให้แน่นอีกครั้ง
- ยึดสลกรู (58) กลับให้แน่นอีกครั้ง
- ติดตั้งแผ่นแทรกโต๊ะเข้าอีกครั้ง (25) (ดู "การติดตั้งแผ่นแทรกโต๊ะ (ดูภาพประกอบ c)", หน้า 124)

เมื่อปรับแล้ว หากเข็มชี้มุม (21) ไม่อยู่ในเส้นแนวเดียวกับเครื่องหมาย 0° ของมาตราส่วน (19) ให้คลายสลกรู (59) ออกด้วยไขควงปากแฉกที่มีจำหน่ายทั่วไปและปรับแนวเข็มชี้มุมให้เทียบเคียงเครื่องหมาย 0°

ทำซ้ำขั้นตอนทำงานดังกล่าวข้างต้นสำหรับมุมเอียงในแนวตั้ง 45° (คลายสลกรู (60) ออก เลื่อนตัวหยุด 45° (18)) ในขั้นตอนนี้เข็มชี้มุม (21) จะต้องไม่ถูกปรับเลื่อนอีกครั้ง

### ความขนานของใบเลื่อยกับร่องนำของฉากหยุดมุม (ดูภาพประกอบ K)

- จัดเครื่องมือไฟฟ้าให้อยู่ในตำแหน่งทำงาน
- ถอดกระบะป้องกัน (3) ออก

### การตรวจสอบ

- ใช้ดินสอทำเครื่องหมายที่ฟันเลื่อยซี่แรกทางด้านซ้ายที่มองเห็นใต้ทางด้านหลังเหนือแผ่นแทรกโต๊ะ
  - ตั้งเกจวัดมุมที่ 90° และวางไว้ที่ขอบของร่องนำ (30)
  - เลื่อนขาของเกจวัดมุมจนขาสัมผัสฟันเลื่อยที่ทำเครื่องหมายไว้ และอ่านค่าระยะห่างระหว่างใบเลื่อยและร่องนำ
  - หมุนใบเลื่อยจนฟันที่ทำเครื่องหมายไว้ที่ด้านหน้าอยู่เหนือแผ่นแทรกโต๊ะ
  - เลื่อนเกจวัดมุมไปตามร่องนำไปยังฟันเลื่อยที่ทำเครื่องหมายไว้
  - วัดระยะห่างระหว่างใบเลื่อยและร่องนำอีกครั้ง
- ระยะทั้งสองจะต้องเหมือนกัน

### การปรับ

- คลายสลกรูหัวจมหกเหลี่ยม (61) ด้านหน้าใต้โต๊ะเลื่อย และสลกรูหัวจมหกเหลี่ยม (62) ด้านท้ายใต้โต๊ะเลื่อยออกด้วยประแจขันหกเหลี่ยม (10) ที่จัดส่งมา
- เลื่อนใบเลื่อยอย่างระมัดระวังจนใบเลื่อยขนานกับร่องนำ (30)
- ยึดสลกรู (61) และ (62) ทั้งหมดกลับให้แน่นอีกครั้ง

### การปรับเข็มชี้ระยะห่างของโต๊ะเลื่อย (ดูภาพประกอบ L)

- จัดวางแผงกำหนดแนวขนานบนด้านขวาของใบเลื่อยเลื่อนแผงกำหนดแนวขนานจนเครื่องหมายใน แถบแสดงมาตราส่วน (56) แลสุดบนมาตราส่วนด้านล่าง 29 ซม. เมื่อต้องการลอคให้กดคานหนีบ (41) ลงอีกครั้ง
- ดึงคานหนีบ (13) ขึ้นด้านบนทั้งหมดและดึงส่วนขยายโต๊ะ (6) ออกด้านบนออกจนสุด

### การตรวจสอบ

- เข็มชี้ระยะห่าง (57) ต้องแสดงค่าบนมาตราส่วนบน (1) เหมือนกับค่าที่เครื่องหมายในแถบแสดงมาตราส่วน (56) แสดงบนมาตราส่วนล่าง (1)

### การปรับ

- ดึงส่วนขยายโต๊ะ (6) ออกด้านบนออกจนสุด
- คลายสลกรู (63) ออกด้วยไขควงปากแฉก และจัดแนวเข็มชี้ระยะห่าง (57) ตามเครื่องหมาย 29 ซม. ของมาตราส่วนบน (1)

### การปรับความขนานของแผงกำหนดแนวขนาน (ดูภาพประกอบ M)

- จัดเครื่องมือไฟฟ้าให้อยู่ในตำแหน่งทำงาน
- ถอดกระบะป้องกัน (3) ออก
- คลายคานหนีบ (41) ของแผงกำหนดแนวขนานออก และเลื่อนไปจนสัมผัสใบเลื่อย

### การตรวจสอบ

- แผงกำหนดแนวขนาน (5) ต้องสัมผัสใบเลื่อยตลอดความยาวทั้งหมด



**การปรับ**

- คลายสกรูหัวจมหกเหลี่ยม (64) ออกด้วยประแจขันหกเหลี่ยม (10) ที่จัดสงมา
- เลื่อนแหงกำหนดแนวขนาน (5) อย่างระมัดระวังจนสัมผัสใบเลื่อยตลอดความยาวทั้งหมด
- จับแหงกำหนดแนวขนานไว้ในตำแหน่งนี้ และกดตามหนีบ (41) ลงอีกครั้ง
- ยึดสกรูหัวจมหกเหลี่ยม (64) กลับให้แน่นอีกครั้ง

**การปรับแรงหนีบของแหงกำหนดแนวขนาน**

แรงหนีบของแหงกำหนดแนวขนาน (5) อาจลดลงหลังใช้งานบ่อยครั้ง

- ขันสกรูปรับ (24) ไปจนแหงกำหนดแนวขนานสามารถยึดแน่นบนโต๊ะเลื่อยอีกครั้ง

**แถบแสดงมาตราส่วนของแหงกำหนดแนวขนาน (ดูภาพประกอบ M)**

- จัดเครื่องมือไฟฟ้าให้อยู่ในตำแหน่งทำงาน
- ถอดครกบั้งป้องกัน (3) ออก
- เลื่อนแหงกำหนดแนวขนาน (5) จากด้านขวาจนสัมผัสใบเลื่อย

**การตรวจสอบ**

เครื่องหมายของแถบแสดงมาตราส่วน (56) ต้องอยู่ในแนวเดียวกันกับเครื่องหมาย 0° มม. ของมาตราส่วน (1)

**การปรับ**

- คลายสกรู (65) ออกด้วยไขควงปากแฉกและจัดแนวเข็มชี้ระยะทางตามเครื่องหมาย 0 มม.

**การปรับระดับของแผ่นแทรกโต๊ะ (ดูภาพประกอบ N)****การตรวจสอบ**

ด้านหน้าของแผ่นแทรกโต๊ะ (25) จะต้องราบเป็นระดับเดียวกันหรืออยู่ต่ำกว่าโต๊ะเลื่อยเล็กน้อย ด้านท้ายจะต้องราบเป็นระดับเดียวกันหรืออยู่เหนือโต๊ะเลื่อยเล็กน้อย

**การปรับ**

- ไขปลายประแจแหวน (9) เพื่อปรับระดับที่ถูกต้องของสกรูปรับสี่ตัว (66)

**การจัดเก็บและการขนย้าย****รักษาส่วนประกอบของอุปกรณ์ไว้ (ดูภาพประกอบ O1-O2)**

สำหรับการจัดเก็บ ท่านสามารถยึดชิ้นส่วนบางตัวของเครื่องเข้ากับเครื่องมือไฟฟ้าได้

- ถอดแหงกำหนดแนวขนานเพิ่ม (43) ออกจากแหงกำหนดแนวขนาน (5)
- ไล่อื่นส่วนเครื่องมือที่ปลดออกได้ทั้งหมดไว้ในช่องจัดเก็บบนตัวเรือน (ดูตารางต่อไปนี้)

ชิ้นส่วนของเครื่อง	ช่องจัดเก็บ
แหงกำหนดแนวขนาน (5)	หมุนกลับด้าน แขนงจากด้านล่าง เข้าไปในรางนำ และยึดตามหนีบ (41)
เลื่อยไม้คั้น (12)	เข้าในจุดตั้ง (67)
กระบังป้องกัน (3)	แขวนในช่องของที่ยึด (11) และขันให้แน่นด้วยคันทัน (39)

ชิ้นส่วนของเครื่อง	ช่องจัดเก็บ
เลียบประแจขันหกเหลี่ยม (10)	เข้าในจุดตั้ง (68)
ประแจแหวน (9)	เข้าในจุดตั้ง (69)
ฉากหยุดมุม (2)	เข้าในจุดตั้ง (7)
แหงกำหนดแนวขนานเพิ่ม (43)	เลื่อนรองเข้าที่ด้านหลังแหงกำหนดแนวขนานเพิ่ม (5) และขันให้แน่นด้วยนอตปีก

**การยกเครื่องมือไฟฟ้า**

- ▶ ถอดแบตเตอรี่ออกจากเครื่องมือไฟฟ้าก่อนทำการปรับแต่งใดๆ ที่เครื่องมือไฟฟ้า (ต. ย. เช่น บำรุงรักษา เปลี่ยนเครื่องมือ ฯลฯ) รวมทั้งเมื่อขนย้ายและเก็บรักษา อันตรายจากการบาดเจ็บหากสวิตช์เปิด-ปิดติดขึ้นอย่างไม่ตั้งใจ

ก่อนขนย้ายเครื่องมือไฟฟ้าต้องทำตามขั้นตอนต่อไปนี้:

- จัดเครื่องมือไฟฟ้าให้อยู่ในขนย้าย (ดู "ตำแหน่งขนย้าย", หน้า 126)
- ถอดอุปกรณ์ประกอบทั้งหมดที่ไม่สามารถติดตั้งกับเครื่องมือไฟฟ้าได้อย่างแน่นอน หากเป็นไปได้ให้ขนย้ายใบเลื่อยที่ไม่ใช้งานโดยใส่ในภาชนะบรรจุที่ปิดฝา
- เลื่อนส่วนขยายโต๊ะเลื่อย (6) เข้าด้านในทั้งหมดและกดตามหนีบ (13) ลงเพื่อยึดให้แน่น
- ใช้ด้ามถือ (29) เพื่อยกหรือขนย้าย

- ▶ เมื่อขนย้ายเครื่องมือไฟฟ้า ให้ยกจับที่อุปกรณ์สำหรับขนย้ายเท่านั้น และอย่ายกจับที่อุปกรณ์ป้องกันอันตรายอย่างเด็ดขาด

**การบำรุงรักษาและการบริการ****การบำรุงรักษาและการทำความสะอาด**

- ▶ ถอดแบตเตอรี่ออกจากเครื่องมือไฟฟ้าก่อนทำการปรับแต่งใดๆ ที่เครื่องมือไฟฟ้า (ต. ย. เช่น บำรุงรักษา เปลี่ยนเครื่องมือ ฯลฯ) รวมทั้งเมื่อขนย้ายและเก็บรักษา อันตรายจากการบาดเจ็บหากสวิตช์เปิด-ปิดติดขึ้นอย่างไม่ตั้งใจ

- ▶ เพื่อให้ทำงานได้อย่างถูกต้องและปลอดภัย ต้องรักษาเครื่องและช่องระบายอากาศให้สะอาดอยู่เสมอ

**การทำความสะอาด**

หลังเสร็จงานทุกครั้ง ให้เอาผงฝุ่นและเศษออกโดยเป่าด้วยอากาศอัดหรือใช้แปรงปัด

**มาตรการลดเสียงรบกวน**

มาตรการโดยผู้ผลิต:

- การลดการสั่นแบบนุ่มนวล
- การส่งมอบพร้อมใบเลื่อยที่พัฒนาขึ้นเป็นพิเศษสำหรับลดเสียงรบกวน

มาตรการโดยผู้ใช้:

- การติดตั้งแบบให้มีการสั่นสะเทือนน้อยบนพื้นผิวทำงานที่มั่นคง
- การใช้ใบเลื่อยที่มีคุณสมบัติลดเสียงรบกวน

- การทำความสะอาดใบเลื่อยและเครื่องมือไฟฟ้าเป็นประจำ

## การบริการหลังการขายและการให้คำปรึกษาการ ใช้งาน

ศูนย์บริการหลังการขายของเรายินดีตอบคำถามของท่านที่เกี่ยวกับการบำรุงรักษาและการซ่อมแซมผลิตภัณฑ์รวมทั้งเรื่องอะไหล่ ภาพเขียนแบบการประกอบและข้อมูลเกี่ยวกับอะไหล่ กรุณาดูใน: [www.bosch-pt.com](http://www.bosch-pt.com) ที่มุงานที่ปรึกษาของ บอช ยินดีให้ข้อมูลเกี่ยวกับผลิตภัณฑ์ของเราและอุปกรณ์ประกอบต่างๆ

เมื่อต้องการสอบถามและสั่งซื้ออะไหล่ กรุณาแจ้งหมายเลขสินค้า 10 หลักบนแผ่นป้ายรุ่นของผลิตภัณฑ์ทุกครั้ง

### ไทย

ไทย บริษัท โรเบิร์ต บอช จำกัด  
เอฟวายไอ เซ็นเตอร์ อาคาร 1 ชั้น 5  
เลขที่ 2525 ถนนพระราม 4  
แขวงคลองเตย เขตคลองเตย กรุงเทพฯ 10110  
โทร: +66 2012 8888  
แฟกซ์: +66 2064 5800  
[www.bosch.co.th](http://www.bosch.co.th)

ศูนย์บริการซ่อมและฝึกอบรม บอช  
อาคาร ลาซาลทาวเวอร์ ชั้น G ห้องเลขที่ 2  
บ้านเลขที่ 10/11 หมู่ 16  
ถนนศรีนครินทร์ ตำบลบางแก้ว อำเภอบางพลี  
จังหวัดสมุทรปราการ 10540  
ประเทศไทย

โทรศัพท์ 02 7587555

โทรสาร 02 7587525

สามารถดูที่อยู่ศูนย์บริการอื่นๆ ได้ที่:

[www.bosch-pt.com/serviceaddresses](http://www.bosch-pt.com/serviceaddresses)

### การขนส่ง

แบตเตอรี่ลิเธียมไอออนที่แนะนำให้ใช้ อยู่ภายใต้ข้อกำหนดแห่งกฎหมายสินค้าอันตราย ผู้ใช้สามารถขนส่งแบตเตอรี่แพ็คโดยทางถนนโดยไม่มีข้อบังคับอื่นหากขนส่งโดยบุคคลที่สาม (เช่น : การขนส่งทางอากาศ หรือตัวแทนขนส่งสินค้า) ต้องปฏิบัติตามข้อกำหนดพิเศษเกี่ยวกับการบรรจุภัณฑ์และการติดฉลาก สำหรับการเตรียมสิ่งของที่จัดส่ง จำเป็นต้องปรึกษาผู้เชี่ยวชาญด้านวัตถุอันตรายส่งแบตเตอรี่แพ็คเมื่อตัวหุ้มไม่ชำรุดเสียหายเท่านั้น ใช้แถบกาวพันปิดหน้าสัมผัสที่เปิดอยู่ และนำแบตเตอรี่แพ็คใส่กล่องบรรจุโดยไม่ให้เคลื่อนไปมาในกล่องได้ นอกจากนี้ กรุณาปฏิบัติตามกฎระเบียบของประเทศซึ่งอาจมีรายละเอียดเพิ่มเติม

### การกำจัดขยะ



เครื่องมือไฟฟ้า แบตเตอรี่แพ็ค อุปกรณ์ประกอบ และหีบห่อ ต้องนำไปแยกประเภทวัสดุเพื่อนำกลับมาใช้ใหม่โดยไม่ทำลายสภาพแวดล้อม



อย่าทิ้งเครื่องมือไฟฟ้าและแบตเตอรี่แพ็ค/แบตเตอรี่ที่นำกลับมาใช้ใหม่ได้ ลงในขยะบ้าน!

### แบตเตอรี่แพ็ค/แบตเตอรี่:

#### ลิเธียม ไอออน:

กรุณาปฏิบัติตามคำแนะนำในบทการขนส่ง (ดู "การขนส่ง", หน้า 130)

## Bahasa Indonesia

### Petunjuk Keselamatan

#### Petunjuk Keselamatan Umum Perkakas Listrik

**PERINGATAN** Baca semua peringatan, petunjuk, ilustrasi, dan spesifikasi

keselamatan yang diberikan bersama perkakas listrik ini. Kesalahan dalam menjalankan petunjuk di bawah ini dapat mengakibatkan sengatan listrik, kebakaran, dan/atau cedera serius.

**Simpanlah semua peringatan dan petunjuk untuk penggunaan di masa mendatang.**

Istilah "perkakas listrik" dalam peringatan mengacu pada perkakas listrik yang dioperasikan dengan listrik (menggunakan kabel) atau perkakas listrik yang dioperasikan dengan baterai (tanpa kabel).

#### Keamanan tempat kerja

- ▶ **Jaga kebersihan dan pencahayaan area kerja.** Area yang berantakan atau gelap dapat memicu kecelakaan.
- ▶ **Jangan mengoperasikan perkakas listrik di lingkungan yang dapat memicu ledakan, seperti adanya cairan, gas, atau debu yang mudah terbakar.** Perkakas listrik dapat memancarkan bunga api yang kemudian mengakibatkan debu atau uap terbakar.
- ▶ **Jauhkan dari jangkauan anak-anak dan pengamat saat mengoperasikan perkakas listrik.** Gangguan dapat menyebabkan hilangnya kendali.

#### Keamanan listrik

- ▶ **Steker perkakas listrik harus sesuai dengan stopkontak. Jangan pernah memodifikasi steker. Jangan menggunakan steker adaptor bersama dengan perkakas listrik yang terhubung dengan sistem grounding.** Steker yang tidak dimodifikasi dan stopkontak yang cocok akan mengurangi risiko sengatan listrik.
- ▶ **Hindari kontak badan dengan permukaan yang terhubung dengan sistem grounding, seperti pipa, radiator, kompor, dan lemari es.** Terdapat peningkatan risiko terjadinya sengatan listrik jika badan Anda terhubung dengan sistem grounding.

- ▶ **Perkakas listrik tidak boleh terpapar hujan atau basah.** Air yang masuk ke dalam perkakas listrik menambah risiko terjadinya sengatan listrik.
- ▶ **Jangan menyalahgunakan kabel. Jangan gunakan kabel untuk membawa, menarik, atau melepas steker perkakas listrik. Jauhkan kabel dari panas, minyak, tepi yang tajam, atau komponen yang bergerak.** Kabel listrik yang rusak atau tersangkut menambah risiko terjadinya sengatan listrik.
- ▶ **Saat mengoperasikan perkakas listrik di luar ruangan, gunakan kabel ekstensi yang sesuai untuk penggunaan di luar ruangan.** Penggunaan kabel yang cocok untuk pemakaian di luar ruangan mengurangi risiko terjadinya sengatan listrik.
- ▶ **Jika perkakas listrik memang harus dioperasikan di tempat yang lembap, gunakan pemutus arus listrik residu (RCD).** Penggunaan RCD akan mengurangi risiko terjadinya sengatan listrik.

#### Keselamatan personel

- ▶ **Tetap waspada, perhatikan aktivitas yang sedang dikerjakan dan gunakan akal sehat saat mengoperasikan perkakas listrik. Jangan gunakan perkakas listrik saat mengalami kelelahan atau di bawah pengaruh narkoba, alkohol, atau obat-obatan.** Jika perkakas listrik dioperasikan dengan daya konsentrasi yang rendah, hal tersebut dapat menyebabkan cedera serius.
- ▶ **Gunakan peralatan pelindung diri. Selalu kenakan pelindung mata.** Penggunaan perlengkapan pelindung seperti penutup telinga, helm, sepatu anti licin, dan masker debu akan mengurangi cedera.
- ▶ **Hindari start yang tidak disengaja. Pastikan switch berada di posisi off sebelum perkakas listrik dihubungkan ke sumber daya listrik dan/atau baterai, diangkat, atau dibawa.** Membawa perkakas listrik dengan jari menempel pada tombol atau perkakas listrik dalam keadaan hidup dapat memicu kecelakaan.
- ▶ **Singkirkan kunci penyetel atau kunci pas sebelum menghidupkan perkakas listrik.** Perkakas atau kunci pas yang masih menempel pada komponen perkakas listrik yang berputar dapat menyebabkan cedera.
- ▶ **Jangan melampaui batas. Berdirilah secara mantap dan selalu jaga keseimbangan.** Hal ini akan memberikan kontrol yang lebih baik terhadap perkakas listrik pada situasi yang tak terduga.
- ▶ **Kenakan pakaian dengan wajar. Jangan mengenakan perhiasan atau pakaian yang longgar. Jauhkan rambut dan pakaian dari komponen yang bergerak.** Pakaian yang longgar, rambut panjang, atau perhiasan dapat tersangkut dalam komponen yang bergerak.
- ▶ **Jika disediakan perangkat untuk sambungan pengisapan debu dan alat pengumpulan, pastikan perangkat tersebut terhubung dan digunakan dengan benar.** Penggunaan alat pengumpulan dapat mengurangi bahaya yang disebabkan oleh debu.

- ▶ **Jangan berpuas diri dan mengabaikan prinsip keselamatan karena terbiasa mengoperasikan perkakas.** Tindakan yang kurang hati-hati dapat mengakibatkan cedera serius dalam waktu sepersekian detik.

#### Penggunaan dan pemeliharaan perkakas listrik

- ▶ **Jangan memaksakan perkakas listrik. Gunakan perkakas listrik yang sesuai untuk pekerjaan yang dilakukan.** Perkakas listrik yang sesuai akan bekerja dengan lebih baik dan aman sesuai tujuan penggunaan.
  - ▶ **Jangan gunakan perkakas listrik dengan switch yang tidak dapat dioperasikan.** Perkakas listrik yang switchnya yang tidak berfungsi dapat menimbulkan bahaya dan harus diperbaiki.
  - ▶ **Lepaskan steker dari sumber listrik dan/atau lepas baterai, jika dapat dilepaskan dari perkakas listrik sebelum menyetel, mengganti aksesoris, atau menyimpan perkakas listrik.** Tindakan preventif akan mengurangi risiko menghidupkan perkakas listrik secara tidak disengaja.
  - ▶ **Jauhkan dan simpan perkakas listrik dari jangkauan anak-anak dan jangan biarkan orang-orang yang tidak mengetahui cara menggunakan perkakas listrik, mengoperasikan perkakas listrik.** Perkakas listrik dapat membahayakan jika digunakan oleh orang-orang yang tidak terlatih.
  - ▶ **Lakukan pemeliharaan perkakas listrik dan aksesoris. Periksa komponen yang bergerak apabila tidak lurus atau terikat, kerusakan komponen, dan kondisi lain yang dapat mengganggu pengoperasian perkakas listrik. Apabila rusak, perbaiki perkakas listrik sebelum digunakan.** Kecelakaan sering terjadi karena perkakas listrik tidak dirawat dengan baik.
  - ▶ **Jaga ketajaman dan kebersihan alat.** Alat pemotong dengan pisau pemotong yang tajam dan dirawat dengan baik tidak akan mudah tersangkut dan lebih mudah dikendalikan.
  - ▶ **Gunakan perkakas listrik, aksesoris, dan komponen perkakas dll sesuai dengan petunjuk ini, dengan mempertimbangkan kondisi kerja dan pekerjaan yang akan dilakukan.** Penggunaan perkakas listrik untuk tujuan berbeda dari fungsinya dapat menyebabkan situasi yang berbahaya.
  - ▶ **Jaga gagang dan permukaan genggam agar tetap kering, bersih, dan bebas dari minyak dan lemak.** Gagang dan permukaan genggam yang licin tidak menjamin keamanan kerja dan kontrol alat yang baik pada situasi yang tidak terduga.
- #### Penggunaan dan pemeliharaan perkakas baterai
- ▶ **Isi ulang daya hanya dengan pengisi daya yang ditentukan oleh produsen.** Pengisi daya yang sesuai untuk satu jenis set baterai dapat menyebabkan risiko kebakaran apabila digunakan dengan set baterai lain.
  - ▶ **Hanya gunakan perkakas listrik dengan set baterai yang dirancang khusus.** Penggunaan set baterai lain dapat menyebabkan risiko cedera dan kebakaran.

- ▶ **Apabila set baterai tidak digunakan, jauhkan dari benda logam lainnya, seperti klip kertas, koin, kunci, paku, sekrup, atau benda logam kecil lainnya yang dapat membuat sambungan dari satu terminal ke terminal lainnya.** Memendekkan terminal baterai dapat menyebabkan kebakaran atau api.
- ▶ **Cairan dapat keluar dari baterai jika baterai tidak digunakan dengan benar; hindari kontak. Jika terjadi kontak secara tidak disengaja, bilas dengan air. Jika cairan mengenai mata, segera hubungi bantuan medis.** Cairan yang keluar dari baterai dapat menyebabkan iritasi atau luka bakar.
- ▶ **Jangan gunakan set baterai atau perkakas yang rusak atau telah dimodifikasi.** Baterai yang rusak atau telah dimodifikasi dapat menimbulkan kejadian yang tak terduga seperti kebakaran, ledakan, atau risiko cedera.
- ▶ **Jangan meletakkan set baterai atau perkakas di dekat api atau suhu tinggi.** Paparan terhadap api atau suhu di atas 130 °C dapat memicu ledakan.
- ▶ **Ikuti semua petunjuk pengisian daya dan jangan mengisi daya set baterai atau perkakas di luar rentang suhu yang ditentukan dalam petunjuk.** Pengisian daya yang tidak tepat atau di luar rentang suhu yang ditentukan dapat merusak baterai dan meningkatkan risiko kebakaran.

#### Servis

- ▶ **Minta teknisi berkualifikasi untuk menyervis perkakas listrik dengan hanya menggunakan suku cadang yang identik.** Dengan demikian, hal ini akan memastikan keamanan perkakas listrik.
- ▶ **Jangan pernah melakukan servis pada baterai yang telah rusak.** Servis baterai hanya boleh dilakukan oleh produsen atau penyedia servis resmi.

#### Petunjuk keselamatan untuk gergaji meja

##### Peringatan terkait perlindungan

- ▶ **Jaga pelindung agar tetap berada di tempatnya.** Pelindung harus berfungsi dengan baik dan terpasang dengan benar. Pelindung yang longgar, rusak, atau tidak berfungsi dengan benar harus diperbaiki atau diganti.
- ▶ **Selalu gunakan pelindung mata pisau dan riving knife untuk setiap pengoperasian through-cutting.** Untuk pengoperasian through-cutting yaitu bilah gergaji memotong hingga menembus benda kerja, pelindung dan perangkat keselamatan lainnya membantu mengurangi risiko cedera.
- ▶ **Setelah menyelesaikan pemotongan nontembus seperti membuat rabbet, kembalikan riving knife ke posisi terpasang di atas. Dengan riving knife dalam posisi terpasang di atas, pasang kembali pelindung pisau.** Pelindung dan riving knife membantu mengurangi risiko cedera.
- ▶ **Pastikan bilah gergaji tidak menyentuh pelindung, riving knife, atau benda kerja sebelum gergaji dinyalakan.** Apabila bilah gergaji menyentuh benda-

benda tersebut, maka dapat menyebabkan kondisi yang berbahaya.

- ▶ **Atur riving knife seperti yang telah diinstruksikan pada buku panduan pengguna.** Jarak, posisi, dan penyejajaran yang tidak benar dapat membuat riving knife tidak bekerja dengan efektif dalam mencegah sentakan.
- ▶ **Agar riving knife dapat bekerja, riving knife harus bertaut dengan benda kerja.** Riving knife menjadi tidak efektif saat memotong benda kerja yang terlalu pendek untuk disatukan dengan riving knife. Dalam kondisi ini, sentakan tidak dapat dicegah oleh riving knife.
- ▶ **Gunakan bilah gergaji yang sesuai untuk riving knife.** Agar riving knife dapat berfungsi dengan benar, diameter bilah gergaji harus sesuai dengan riving knife dan bodi bilah pisau harus lebih tipis dari riving knife, dan ketebalan pemotongan bilah gergaji harus lebih besar dari ketebalan riving knife.

##### Peringatan prosedur pemotongan

- ▶ **⚠ AWAS: Jangan pernah posisikan jari atau tangan Anda di sekitar atau pada jalur bilah gergaji.** Jika Anda tidak waspada atau terpeleset, hal tersebut dapat menyebabkan tangan Anda menyentuh bilah gergaji dan menyebabkan cedera serius.
- ▶ **Hanya arahkan benda kerja ke bilah gergaji berlawanan dengan arah putaran gergaji.** Mengarahkan benda kerja searah bilah gergaji saat berputar di atas meja dapat menyebabkan benda kerja, dan tangan Anda tertarik ke arah bilah gergaji.
- ▶ **Jangan pernah gunakan pengukur miter untuk mengarahkan benda kerja ketika membelah dan jangan gunakan penahan rip sebagai pembatas panjang ketika melakukan pemotongan silang dengan pengukur miter.** Mengarahkan benda kerja dengan penahan rip dan pengukur miter secara bersamaan meningkatkan kemungkinan bilah gergaji terjepit dan menyentak.
- ▶ **Saat memotong, selalu jaga agar benda kerja dalam kontak penuh dengan penahan dan selalu dorong benda kerja di antara penahan dan pisau gergaji.** Gunakan tongkat dorong bila jarak antara penahan dan pisau gergaji kurang dari 150 mm, dan gunakan balok pendorong bila jarak kurang dari 50 mm. Perangkat "Pembantu pekerjaan" akan menjaga tangan Anda dalam jarak aman dari bilah gergaji.
- ▶ **Hanya gunakan tongkat dorong yang disediakan oleh produsen atau dibuat sesuai dengan instruksi.** Tongkat dorong ini memberikan jarak aman bagi tangan terhadap bilah gergaji.
- ▶ **Jangan pernah gunakan tongkat dorong yang rusak atau terpotong.** Tongkat dorong yang rusak atau terpotong dapat patah sehingga menyebabkan tangan Anda terpeleset ke dalam pisau gergaji.
- ▶ **Jangan pernah lakukan pengoperasian apa pun "dengan tangan kosong".** Selalu gunakan penahan rip atau pengukur miter untuk memosisikan dan

**mengarahkan benda kerja.** "Bekerja dengan tangan kosong" berarti menggunakan tangan Anda untuk menopang atau mengarahkan benda kerja, alih-alih menggunakan penahan rip atau pengukur miter. Penggergajian dengan tangan kosong menyebabkan pemotongan tidak rapi, terjepit, dan sentakan.

- ▶ **Jangan pernah meraih benda apa pun di sekitar atau di atas bilah gergaji yang sedang berputar.** Meraih benda kerja dapat menyebabkan kecelakaan ketika bilah gergaji masih berputar.
- ▶ **Berikan penopang tambahan untuk benda kerja di belakang dan/atau di samping meja gergaji untuk benda kerja yang panjang dan/atau lebar agar tetap rata.** Benda kerja yang panjang dan/atau lebar seringkali berubah posisi pada tepian meja sehingga menyebabkan kehilangan kontrol, dan bilah gergaji terjepit dan menyentak.
- ▶ **Dorong benda kerja dengan kecepatan yang stabil. Jangan menekuk, memelintir atau menggeser benda kerja dari satu sisi ke sisi lain. Jika pisau gergaji macet, segera matikan alat, cabut steker alat, lalu atasi kemacetan.** Bilah gergaji yang macet akibat benda kerja dapat menyebabkan sentakan atau menyebabkan mesin mati.
- ▶ **Jangan menyingkirkan potongan material ketika gergaji masih berputar.** Material tersebut dapat terjebak di antara penahan atau di dalam pelindung bilah gergaji dan bilah gergaji dapat menarik jari Anda. Matikan gergaji dan tunggu hingga bilah gergaji berhenti berputar sebelum melepas material.
- ▶ **Gunakan penahan tambahan yang menyentuh bagian atas meja ketika membelah benda kerja dengan ketebalan kurang dari 2 mm.** Benda kerja yang tipis dapat terjepit di bawah penahan rip dan menghasilkan sentakan.

#### Penyebab sentakan dan peringatan terkait

Sentakan adalah reaksi seketika dari benda kerja akibat bilah gergaji yang terjepit, macet, atau garis pemotongan benda kerja tidak sejajar dengan bilah gergaji atau ketika bagian dari benda kerja terjepit di antara bilah gergaji dan penahan rip atau benda lainnya yang terpasang di tempatnya.

Seringkali saat terjadi sentakan, benda kerja terangkat dari meja dari bagian belakang bilah gergaji dan terlontar ke arah operator.

Sentakan merupakan akibat dari penggunaan yang salah pada gergaji dan/atau prosedur atau syarat pengoperasian atau syarat-syarat penggunaan yang tidak tepat, namun dapat dihindari dengan melakukan tindakan pencegahan yang tepat seperti yang diberikan di bawah ini.

- ▶ **Jangan pernah berdiri searah dengan bilah gergaji. Selalu posisikan tubuh Anda di sisi yang sama dengan penahan pada sisi bilah gergaji.** Sentakan dapat melontarkan benda kerja dengan kecepatan tinggi ke arah siapa pun yang berdiri di depan atau searah dengan bilah gergaji.

- ▶ **Jangan pernah meraih ke belakang atau ke atas bilah gergaji untuk menarik atau menopang benda kerja.** Kecelakaan dengan bilah gergaji dapat terjadi atau sentakan dapat menarik jari Anda ke arah bilah gergaji.
  - ▶ **Jangan pernah menahan dan menekan benda kerja yang sedang dipotong menggunakan bilah gergaji yang berputar.** Menekan benda kerja yang sedang dipotong dengan arah berlawanan dari bilah gergaji akan menyebabkan terjepit dan sentakan.
  - ▶ **Sejajarkan penahan secara paralel dengan bilah gergaji.** Penahan yang tidak sejajar akan menjepit benda kerja dengan bilah gergaji dan menyebabkan sentakan.
  - ▶ **Gunakan featherboard untuk mengarahkan benda kerja ke meja dan penahan ketika melakukan pemotongan tanpa menembus benda kerja, seperti membuat rabbet.** Featherboard membantu mengontrol benda kerja ketika terjadi sentakan.
  - ▶ **Berikan penyangga pada panel yang besar untuk mengurangi risiko bilah gergaji terjepit dan tersentak.** Panel yang besar cenderung akan merosot akibat besarnya beban. Penopang harus dipasang di bawah semua bagian panel yang melewati bagian atas meja.
  - ▶ **Sangat berhati-hatilah ketika memotong benda kerja yang terpelintir, tersimpul, melengkung, atau tidak memiliki tepian lurus untuk mengarahkannya dengan pengukur miter atau dengan penahan.** Benda kerja yang melengkung, tersimpul, atau terpelintir tidak stabil dan menyebabkan goresan tidak sejajar pada bilah gergaji, terjepit, dan tersentak.
  - ▶ **Jangan pernah memotong lebih dari satu benda kerja, baik yang ditumpuk secara horizontal maupun vertikal.** Bilah gergaji dapat menarik salah satu benda atau lebih dan menyebabkan sentakan.
  - ▶ **Saat menjalankan ulang gergaji dengan bilah gergaji pada benda kerja, pusatkan bilah gergaji pada celah pemotongan sehingga gerigi gergaji tidak masuk ke material.** Jika bilah gergaji tersangkut, benda kerja dapat terangkat dan menyebabkan sentakan ketika gergaji dinyalakan kembali.
  - ▶ **Jaga bilah gergaji tetap bersih, tajam, dan lengkap. Jangan pernah gunakan bilah gergaji yang melengkung atau bilah gergaji dengan gerigi yang retak atau rusak.** Tajamkan dan pasang bilah gergaji dengan benar untuk meminimalisasi terjepit, macet, dan terjadi sentakan.
- #### Peringatan prosedur pengoperasian gergaji meja
- ▶ **Matikan gergaji meja dan lepaskan baterai ketika melepaskan sisipan meja, mengganti bilah gergaji, atau mengatur riving knife atau pelindung bilah gergaji, dan ketika perkakas sedang tidak dalam pengawasan.** Tindakan pencegahan akan menghindari kecelakaan.
  - ▶ **Jangan pernah biarkan gergaji meja beroperasi tanpa pengawasan. Matikan dan jangan tinggalkan perkakas hingga benar-benar berhenti.** Gergaji yang beroperasi tanpa pengawasan adalah bahaya yang tak terkontrol.

- ▶ **Posisikan gergaji meja di area yang datar dan dengan penerangan yang cukup sehingga keseimbangan dan pijakan yang baik dapat terjaga. Gergaji harus dipasang di area yang memiliki cukup ruang agar dapat memegang benda kerja dengan mudah.** Area yang sempit, gelap, dan dengan lantai yang tidak rata serta licin dapat menyebabkan kecelakaan.
- ▶ **Bersihkan dan buang serbuk gergaji dari bawah meja gergaji dan/atau perangkat pengumpul debu secara berkala.** Serbuk gergaji yang terkumpul mudah terbakar dan dapat menyebabkan kebakaran dengan sendirinya.
- ▶ **Gergaji meja harus terpasang dengan kuat.** Gergaji meja yang tidak terpasang dengan benar dapat bergerak atau terbalik.
- ▶ **Singkirkan alat-alat, serpihan kayu, dan lain sebagainya dari meja sebelum gergaji meja dinyalakan.** Gangguan atau potensi terjepit dapat membahayakan.
- ▶ **Selalu gunakan bilah gergaji dengan ukuran dan bentuk lubang poros yang sesuai (belah ketupat versus bulat).** Bilah gergaji yang tidak sesuai dengan perangkat keras yang terpasang pada gergaji akan bergerak tidak simetris dan mengakibatkan kehilangan kendali.
- ▶ **Jangan pernah menggunakan komponen pemasangan bilah gergaji yang rusak atau tidak tepat seperti flensa, washer bilah gergaji, baut, atau mur.** Komponen pemasangan tersebut dirancang khusus untuk gergaji Anda, untuk pengoperasian yang aman dan kinerja optimal.
- ▶ **Jangan pernah berdiri di atas gergaji meja, jangan gunakan meja gergaji sebagai pijakan.** Cedera serius dapat terjadi jika perkakas terbalik atau jika Anda menyentuh alat pemotong secara tidak sengaja.
- ▶ **Pastikan bilah gergaji terpasang agar dapat berputar ke arah yang tepat. Jangan gunakan roda gerinda, sikat kawat, atau roda abrasif pada gergaji meja.** Pemasangan bilah gergaji yang tidak tepat atau penggunaan aksesoris yang tidak disarankan dapat menyebabkan cedera serius.

### Petunjuk Keselamatan tambahan

- ▶ **Pakailah sarung tangan pelindung pada waktu memasang mata gergaji.** Terdapat risiko cedera.
- ▶ **Jangan menggunakan mata gergaji berbahan baja HSS (High-speed Steel).** Mata gergaji dari bahan ini mudah patah.
- ▶ **Gunakanlah hanya mata gergaji yang sesuai dengan data yang tercantum di panduan pengoperasian dan pada perkakas listrik serta telah diuji menurut peraturan EN 847-1, dan sesuai dengan yang digambarkan.**
- ▶ **Jangan pernah gunakan perkakas listrik tanpa meja sisipan. Ganti meja sisipan yang rusak.** Anda dapat terluka oleh mata gergaji apabila menggunakan meja sisipan yang rusak.

- ▶ **Jaga tempat pengerjaan tetap bersih.** Campuran bahan yang berserakan cukup berbahaya. Debu logam yang kecil dapat terbakar atau menimbulkan ledakan.
- ▶ **Pilih mata gergaji yang sesuai untuk bahan yang akan dikerjakan.**
- ▶ **Gunakanlah hanya mata gergaji yang dianjurkan oleh produsen perkakas listrik ini dan yang sesuai dengan bahan yang dikerjakan.**
- ▶ **Arahkan benda kerja hanya pada mata gergaji yang berjalan mendekati.** Jika terbalik, dapat terjadi sentakan karena mata gergaji tersangkut pada benda yang dikerjakan.
- ▶ **Asap dapat keluar apabila terjadi kerusakan atau penggunaan yang tidak tepat pada baterai. Baterai dapat terbakar atau meledak.** Biarkan udara segar mengalir masuk dan kunjungi dokter apabila mengalami gangguan kesehatan. Asap tersebut dapat mengganggu saluran pernafasan.
- ▶ **Jangan membuka baterai.** Ada bahaya terjadinya korsleting.
- ▶ **Baterai dapat rusak akibat benda-benda lancip, seperti jarum, obeng, atau tekanan keras dari luar.** Hal ini dapat menyebabkan terjadinya hubungan singkat internal dan baterai dapat terbakar, berasap, meledak, atau mengalami panas berlebih.
- ▶ **Hanya gunakan baterai pada produk yang dibuat oleh produsen.** Hanya dengan cara ini, baterai dapat terlindungi dari kelebihan muatan.



**Lindungi baterai dari panas, misalnya juga dari paparan sinar matahari dalam waktu yang lama, api, kotoran, air dan kelembapan.** Terdapat risiko ledakan dan korsleting.

### Simbol-simbol

Simbol-simbol berikut dapat membantu Anda dalam menggunakan perkakas listrik. Pelajari dan ingat simbol-simbol berikut beserta maknanya. Pengertian yang betul dari simbol-simbol ini bisa membantu Anda untuk menggunakan perkakas listrik dengan lebih baik dan aman.

#### Simbol dan artinya



**Jangan mendekatkan tangan Anda pada area pemotongan saat perkakas listrik beroperasi.** Sentuhan dengan mata gergaji dapat mengakibatkan cedera.



**Kenakan masker pelindung debu.**

**Simbol dan artinya**

**Pakailah pelindung telinga.** Suara bising dapat menyebabkan daya pendengaran berkurang.



**Pakailah kacamata pelindung.**

**3 601 M44 000** Perhatikan ukuran mata gergaji. Diameter lubang harus sesuai dengan spindle perkakas dan tidak goyah. Jika penggunaan reduktor diperlukan,

**3 601 M44 0K0** pastikan ukuran reduktor sesuai dengan ketebalan bilah baja, diameter lubang pada mata gergaji, serta diameter spindle perkakas. Sebaiknya, gunakan reduktor yang disertakan bersama mata gergaji.

**3 601 M44 0B0** Diameter mata gergaji harus sesuai dengan informasi pada simbol.

**3 601 M44 000** a Diameter mata gergaji tidak lebih dari 216 mm.

**3 601 M44 0K0** b Saat mengganti mata gergaji, pastikan lebar pemotongan tidak kurang dari 1,7 mm dan ketebalan bilah baja tidak lebih dari 1,5 mm. Jika tidak, terdapat bahaya pisau riving tersangkut pada benda kerja.

**3 601 M44 040** c Pisau riving memiliki ketebalan sebesar 1,6 mm.

d Arah pemotongan gigi (arah panah pada mata gergaji) harus sesuai dengan arah panah pada pisau riving.

**3 601 M44 0B0** a Diameter mata gergaji tidak lebih dari 216 mm.

b Saat mengganti mata gergaji, pastikan lebar pemotongan tidak kurang dari 2,3 mm dan ketebalan bilah baja tidak lebih dari 2,1 mm. Jika tidak, terdapat bahaya pisau riving tersangkut pada benda kerja.

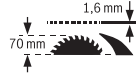
c Pisau riving memiliki ketebalan sebesar 2,2 mm.

d Arah pemotongan gigi (arah panah pada mata gergaji) harus sesuai dengan arah panah pada pisau riving.

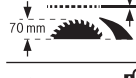
**3 601 M44 000** Pisau riving memiliki ketebalan sebesar 1,6 mm.

**3 601 M44 0K0** Tinggi benda kerja maksimal sebesar 70 mm.

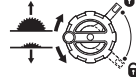
**3 601 M44 040**

**Simbol dan artinya**

**3 601 M44 0B0** Pisau riving memiliki ketebalan sebesar 2,2 mm.



Tinggi benda kerja maksimal sebesar 70 mm.



**sisi kiri:**

Menampilkan arah putaran engkol untuk menurunkan (**posisi pengangkutan**) dan mengangkat (**posisi pengoperasian**) mata gergaji.

**sisi kanan:**

Menampilkan posisi tuas pengunci untuk mengunci mata gergaji dan saat mengatur sudut potong vertikal (mata gergaji dapat digerakkan).



Dengan tanda CE, produsen memastikan bahwa perkakas listrik sesuai dengan pedoman UE (Directive EU) yang berlaku.

**Spesifikasi produk dan performa**

**Bacalah semua petunjuk keselamatan dan petunjuk penggunaan.** Kesalahan dalam menjalankan petunjuk keselamatan dan petunjuk penggunaan dapat mengakibatkan kontak listrik, kebakaran, dan/atau luka-luka yang berat.

Perhatikan ilustrasi yang terdapat pada sisi sampul panduan pengoperasian.

**Tujuan penggunaan**

Perkakas listrik ini dirancang khusus untuk memotong dalam arah memanjang dan melintang dengan pemotongan lurus pada kayu keras dan kayu lunak serta chipboard dan fibreboard. Sudut potong horizontal dapat dilakukan mulai  $-30^\circ$  hingga  $+30^\circ$  dan sudut potong vertikal dapat dilakukan mulai  $0^\circ$  hingga  $45^\circ$ .

Jika menggunakan mata gergaji yang sesuai, perkakas listrik juga dapat digunakan untuk menggergaji profil aluminium dan bahan sintetis.

**Ilustrasi komponen**

Penomoran ilustrasi komponen mengacu pada gambar perkakas listrik pada halaman grafis.

- (1) Skala untuk jarak mata gergaji ke mistar sejajar
- (2) Mistar sudut
- (3) Tutup pelindung
- (4) Pemegang pelindung atas (riving knife)
- (5) Mistar sejajar
- (6) Pelebaran meja potong

- (7) Tempat penyimpanan mistar sudut  
 (8) Lubang untuk pemasangan  
 (9) Kunci ring (23 mm; 13 mm)  
 (10) Kunci L (5 mm)  
 (11) Penahan untuk menyimpan tutup pelindung  
 (12) Tuas pendorong  
 (13) Kenop pengencang untuk pelebaran meja potong  
 (14) Alat putar tangan  
 (15) Engkol untuk mengangkat dan menurunkan mata gergaji  
 (16) Tombol on/off  
 (17) Baterai<sup>a)</sup>  
 (18) Batas sudut potong 45° (vertikal)  
 (19) Skala untuk sudut potong (vertikal)  
 (20) Tuas pengunci untuk mengatur sudut potong vertikal  
 (21) Indikator sudut (vertikal)  
 (22) Batas sudut potong 0° (vertikal)  
 (23) Meja potong  
 (24) Sekrup penyatel untuk kekuatan penjepitan mistar sejajar  
 (25) Sisipan meja  
 (26) Mata gergaji  
 (27) Alur pemandu untuk mistar sejajar  
 (28) Tombol pelepas baterai<sup>a)</sup>  
 (29) Gagang angkat  
 (30) Alur pemandu untuk mistar sudut  
 (31) Adaptor pengisap  
 (32) Alur pemandu V pada meja potong untuk mistar sejajar  
 (33) Kisi-kisi lantai  
 (34) Sekrup pengunci kisi-kisi lantai  
 (35) Tanda tuas penjepit/penjepit  
 (36) Tuas penjepit untuk pemegang pelindung atas  
 (37) Pin posisi untuk pemegang pelindung atas  
 (38) Sekrup pengunci sisipan meja  
 (39) Tuas penjepit pada tutup pelindung  
 (40) Baut pemandu tutup pelindung  
 (41) Kenop pengencang mistar sejajar  
 (42) Pemandu V mistar sejajar  
 (43) Mistar sejajar tambahan  
 (44) Set pengencangan "Mistar sejajar tambahan"  
 (45) Rel pemandu mistar sudut  
 (46) Penutup mata gergaji bawah  
 (47) Tab penutup mata gergaji bawah  
 (48) Lubang gagang untuk mengangkat sisipan meja  
 (49) Mur penjepit  
 (50) Tuas pengunci poros  
 (51) Flensa penjepit  
 (52) Flensa dudukan  
 (53) Poros perkakas  
 (54) Kenop pengunci untuk menyatel sudut potong lainnya (horizontal)  
 (55) Indikator sudut pada mistar sudut  
 (56) Tampilan skala  
 (57) Penunjuk jarak meja potong  
 (58) Baut berkepala silang untuk mengatur batas henti 0°  
 (59) Baut untuk indikator sudut (vertikal)  
 (60) Baut berkepala silang untuk mengatur batas henti 45°  
 (61) Sekrup kepala heksagonal (5 mm) depan untuk mengatur kesejajaran mata gergaji  
 (62) Sekrup kepala heksagonal (5 mm) belakang untuk mengatur kesejajaran mata gergaji  
 (63) Baut untuk penunjuk jarak meja potong  
 (64) Sekrup kepala heksagonal (5 mm) untuk mengatur kesejajaran mistar sejajar  
 (65) Baut untuk penunjuk jarak mistar sejajar  
 (66) Sekrup penyatel untuk sisipan meja  
 (67) Tempat penyimpanan tuas pendorong  
 (68) Tempat penyimpanan kunci L  
 (69) Tempat penyimpanan kunci ring
- a) Aksesori yang digambarkan atau yang dijelaskan tidak termasuk dalam lingkup pengiriman standar. Semua aksesori yang ada dapat ditemukan dalam program aksesori kami.

### Data teknis

Mesin gergaji meja		GTS 18V-216	GTS 18V-216
Nomor seri		3 601 M44 000 3 601 M44 040 3 601 M44 0K0	3 601 M44 0B0
Tegangan nominal	V=	18	18
Kecepatan idle <sup>A)</sup>	min <sup>-1</sup>	4500	4500
Pembatasan arus listrik pada awalan start		●	●
Berat sesuai dengan EPTA-Procedure 01:2014 <sup>B)</sup>	kg	20,5-21,6	20,5-21,6



Mesin gergaji meja		GTS 18V-216	GTS 18V-216
Suhu sekitar yang direkomendasikan saat pengisian daya	°C	0...+35	0...+35
Suhu sekitar yang diizinkan saat pengoperasian <sup>o)</sup> dan saat penyimpanan	°C	-20...+50	-20...+50
Baterai yang kompatibel		GBA 18V... ProCORE18V...	GBA 18V... ProCORE18V...
Baterai yang direkomendasikan untuk performa penuh		ProCORE18V... ≥ 5,5 Ah	ProCORE18V... ≥ 5,5 Ah
Perangkat pengisian daya yang direkomendasikan		GAL 18... GAX 18... GAL 36...	GAL 18... GAX 18... GAL 36...
Dimensi (termasuk bagian perangkat yang dapat dilepas)			
lebar x panjang x tinggi	mm	658 x 332 x 553	658 x 332 x 553
<b>Ukuran mata gergaji yang sesuai</b>			
Diameter mata gergaji	mm	216	216
Ketebalan bilah baja	mm	<1,5	1,5–2,1
Ketebalan/pengaturan gigi min.	mm	>1,7	>2,3
Diameter lubang	mm	30	25,4

A) Diukur pada suhu 20–25 °C dengan baterai **ProCORE18V 12.0Ah**.

B) tergantung pada baterai yang digunakan

C) daya terbatas pada suhu < 0 °C

Ukuran benda kerja maksimal: (lihat „Ukuran benda kerja maksimal“, Halaman 143)

Nilai dapat berbeda-beda bergantung pada produk dan mungkin tunduk pada kondisi lingkungan serta penggunaan. Informasi lebih lanjut pada [www.bosch-professional.com/wac](http://www.bosch-professional.com/wac).

## Baterai

**Bosch** menjual perkakas listrik berdaya baterai bahkan tanpa baterai yang disertakan. Keterangan apakah lingkup pengiriman perkakas listrik termasuk dengan baterai dapat ditemukan di kemasan.

### Mengisi daya baterai

- ▶ **Hanya gunakan pengisi daya yang tercantum pada data teknis.** Hanya pengisi daya ini yang sesuai dengan baterai li-ion yang digunakan pada perkakas listrik Anda.

**Catatan:** Baterai lithium-ion dikirim dalam keadaan terisi daya sebagian berdasarkan peraturan transportasi internasional. Untuk menjamin daya penuh dari baterai, isi daya baterai hingga penuh sebelum menggunakannya untuk pertama kali.

### Memasang baterai

Masukkan baterai yang telah terisi daya ke dalam dudukan baterai hingga baterai terkunci.





**Bosch** merekomendasikan untuk menggunakan baterai dengan kapasitas setidaknya 3,0 Ah.

### Melepas baterai

Untuk melepas baterai, tekan tombol pelepas baterai dan keluarkan baterai. **Jangan melepas baterai dengan paksa.** Baterai memiliki 2 level penguncian untuk mencegah baterai terlepas saat tombol pelepas baterai ditekan secara tidak sengaja. Selama baterai terpasang di dalam perkakas listrik, baterai ditahan posisinya menggunakan pegas.

### Indikator level pengisian daya baterai

LED berwarna hijau dari indikator level pengisian daya baterai menampilkan level pengisian daya baterai. Atas dasar keselamatan, permintaan level pengisian daya baterai hanya dapat dilakukan saat perkakas listrik dalam keadaan berhenti.

Tekan tombol indikator level pengisian daya baterai  atau  untuk menampilkan level pengisian baterai. Hal ini juga dapat dilakukan saat baterai dilepas.

Apabila LED tidak menyala setelah menekan tombol indikator level pengisian daya, terdapat kerusakan pada baterai dan baterai harus diganti.

### Tipe baterai GBA 18V...



LED	Kapasitas
Lampu permanen hijau 3×	60–100%
Lampu permanen hijau 2×	30–60%

LED	Kapasitas
Lampu permanen hijau 1×	5–30%
Lampu berkedip hijau 1×	0–5%

#### Tipe baterai ProCORE18V...



LED	Kapasitas
Lampu permanen hijau 5×	80–100%
Lampu permanen hijau 4×	60–80%
Lampu permanen hijau 3×	40–60%
Lampu permanen hijau 2×	20–40%
Lampu permanen hijau 1×	5–20%
Lampu berkedip hijau 1×	0–5%

#### Petunjuk untuk penanganan baterai yang optimal

Lindungilah baterai dari kelembapan dan air.

Simpan baterai hanya pada rentang suhu antara –20 °C hingga 50 °C. Janganlah meletakkan baterai di dalam mobil, misalnya pada musim panas.

Bersihkanlah lubang ventilasi baterai dengan kuas yang lunak, bersih dan kering secara berkala.

Waktu pengoperasian yang berkurang secara signifikan setelah pengisian daya menunjukkan bahwa baterai telah habis dan perlu diganti.

Perhatikan petunjuk untuk membuang.

## Pemasangan

► **Sebelum melakukan semua pekerjaan pada perkakas listrik (misalnya merawat, mengganti alat kerja, dsb.) serta selama transpor dan penyimpanan, keluarkanlah baterai dari perkakas listrik.** Terdapat risiko cedera apabila tombol untuk menghidupkan dan mematikan dioperasikan tanpa sengaja.

#### Lingkup pengiriman

Sebelum menggunakan perkakas listrik untuk pertama kalinya, periksalah apakah semua komponen di bawah ini disertakan:

- Mesin gergaji meja dengan mata gergaji yang terpasang (**26**) dan pemegang pelindung atas (**4**)
- Mistar sudut (**2**)
- Mistar sejajar (**5**)
- Mistar sejajar tambahan (**43**)
- Set pengencangan "Mistar sejajar tambahan" (**44**) (2 sekrup pengencang, 2 cincin, 2 mur kupu-kupu)
- Tutup pelindung (**3**)
- Kunci L (**10**)
- Kunci ring (**9**) dengan ujung obeng minus
- Tuas pendorong (**12**)

- Sisipan meja (**25**)

**Catatan:** Periksa perkakas listrik dari kemungkinan kerusakan.

Sebelum melanjutkan menggunakan perkakas listrik, periksa dengan saksama semua komponen pelindung atau komponen yang sedikit rusak apakah komponen tersebut berfungsi dengan baik. Periksa apakah komponen yang bergerak berfungsi dengan baik dan tidak terjepit atau apakah ada komponen yang rusak. Semua bagian-bagian harus terpasang dengan benar dan memenuhi semua persyaratan guna menjamin penggunaan perkakas listrik yang sempurna.

Komponen perlindungan dan bagian-bagian yang rusak harus diperbaiki atau diganti di bengkel yang disetujui.

#### Perkakas yang diperlukan selain peralatan yang disertakan dalam pengiriman:

- Obeng kembang
- Pengukur sudut

#### Memasang komponen-komponen

- Keluarkan semua komponen yang disediakan di kemasan dengan hati-hati.
- Singkirkan semua bahan kemasan dari perkakas listrik dan dari aksesoris yang disediakan.
- Putar sekrup pengunci (**34**) dengan ujung kunci ring (**9**) hingga maksimal ke arah putaran "Membuka" dan buka kisi-kisi lantai (**33**) (lihat gambar a).
- Lepaskan material kemasan dari bawah blok mesin.

Komponen perangkat yang terpasang langsung pada housing: Tuas pendorong (**12**), kunci ring (**9**), kunci L (**10**), mistar sejajar (**5**), mistar sudut (**2**), adaptor pengisap (**31**), mistar sejajar tambahan (**43**) dengan set pengencangan (**44**), tutup pelindung (**3**).

- Jika memerlukan salah satu komponen perangkat ini, keluarkan komponen tersebut dari tempat penyimpanannya dengan hati-hati.

#### Mengatur posisi pemegang pelindung atas (lihat gambar b1–b2)

**Catatan:** Jika perlu, bersihkan dulu semua komponen yang terpasang sebelum mengatur posisi pemasangan.

- Putar engkol (**15**) searah jarum jam hingga maksimal sehingga mata gergaji (**26**) berada pada posisi setinggi mungkin di atas meja potong.
- Kendurkan tuas penjepit (**36**) searah jarum jam hingga mata mengarah ke atas.
- Dorong pemegang pelindung atas (**4**) ke arah tuas penjepit (**36**) hingga pemegang pelindung dapat ditarik ke atas.
- Tarik pemegang pelindung atas ke atas sehingga posisinya benar-benar berada di atas bagian tengah mata gergaji.
- Kunci kedua pin (**37**) ke dalam lubang bagian bawah pada pemegang pelindung atas dan kencangkan kembali tuas penjepit (**36**).

Tanda **(35)** pada penjepit dan tuas penjepit **(36)** harus disejajarkan seperti yang ditunjukkan.

#### Memasang sisipan meja (lihat gambar c)

- Masukkan sisipan meja **(25)** di atas pemegang pelindung atas **(4)** ke dalam batang alat.
- Putar sekrup pengunci **(38)** dengan ujung kunci ring **(9)** hingga maksimal ke arah putaran "Menutup".

Sisi depan sisipan meja **(25)** harus terpasang sejajar atau berada sedikit di bawah meja potong, sisi belakangnya harus terpasang sejajar atau berada sedikit di atas meja potong.

#### Memasang tutup pelindung (lihat gambar d1–d2)

**Catatan:** Hanya pasang tutup pelindung jika pemegang pelindung atas (riving knife) telah benar-benar berada pada posisi teratas pada bagian tengah mata gergaji (lihat ilustrasi **b2**). Jangan memasang tutup pelindung jika pemegang pelindung atas (riving knife) berada pada posisi terbawah (posisi pengiriman atau posisi untuk memotong mur) (lihat ilustrasi **b1**).

- Kendurkan tuas penjepit **(39)** dan lepaskan tutup pelindung **(3)** dari penahannya **(11)**.
- Tahan pelindung mata gergaji (rel logam atas) pada tutup pelindung **(3)** dengan satu tangan sementara tangan satunya menggerakkan tuas penjepit **(39)** ke atas.
- Dorong baut pemandu **(40)** ke belakang ke dalam alur pemegang pelindung atas (riving knife) **(4)**.
- Arahkan tutup pelindung **(3)** ke bawah hingga pelindung mata gergaji (rel logam atas) berada **sejajar** dengan permukaan atas meja potong **(23)**.
- Tekan tuas penjepit **(39)** ke bawah. Tuas penjepit harus benar-benar terkunci dan tutup pelindung **(3)** terpasang dengan kencang.

- ▶ **Setiap sebelum digunakan, periksa apakah tutup pelindung dapat bergerak dengan baik. Jangan menggunakan perkakas listrik jika tutup pelindung tidak dapat bergerak bebas dan tidak segera menutup.**

#### Memasang mistar sejajar (lihat gambar e)

Mistar sejajar **(5)** dapat diatur posisinya di sisi kiri atau kanan dari mata gergaji.

- Kendurkan kenop pengencang **(41)** mistar sejajar **(5)**. Hal ini akan membebaskan beban pada pemandu V **(42)**.
- Pertama-tama, pasang mistar sejajar dengan pemandu V ke dalam alur pemandu **(32)** meja potong. Kemudian atur posisi mistar sejajar di dalam alur pemandu depan **(27)** meja potong.
- Kini mistar sejajar dapat digeser ke arah mana saja.
- Untuk mengencangkan mistar sejajar, tekan kenop pengencang **(41)** ke bawah.

**Memasang mistar sejajar tambahan (lihat gambar f)**  
**Untuk menggergaji benda kerja yang lebih kecil serta menggergaji sudut potong vertikal**, mistar sejajar tambahan **(43)** harus dipasang pada mistar sejajar **(5)**. Mistar sejajar tambahan dapat dipasang pada sisi kiri atau kanan pada mistar sejajar **(5)** sesuai keperluan.

Gunakan set pengencangan "mistar sejajar tambahan" **(44)** untuk melakukan pemasangan (2 sekrup pemasangan, 2 cincin, 2 mur kupu-kupu).

- Dorong sekrup pemasangan melalui lubang samping pada mistar sejajar **(5)**.
- Kepala baut berfungsi sebagai pemandu mistar sejajar tambahan.
- Dorong mistar sejajar tambahan **(43)** di atas kepala sekrup pemasangan.
- Letakkan cincin pada sekrup pemasangan dan kencangkan sekrup menggunakan mur kupu-kupu.

#### Memasang mistar sudut (lihat gambar g)

- Arahkan rel pemandu **(45)** mistar sudut **(2)** ke salah satu alur pemandu **(30)** meja potong yang tersedia.

#### Pemasangan stasioner atau fleksibel

- ▶ **Untuk menjamin keamanan kerja, perkakas listrik harus dipasang terlebih dulu di tempat kerja yang datar dan stabil (misalnya meja kerja) sebelum digunakan.**

#### Pemasangan di area kerja (lihat gambar h)

- Kencangkan perkakas listrik di atas meja kerja dengan sekrup yang sesuai. Untuk itu, gunakan lubang bor **(8)**.

#### Pemasangan di meja kerja Bosch (lihat gambar i)

Meja kerja Bosch (mis. **GTA 560**) menahan kedudukan perkakas listrik di setiap permukaan dengan kaki yang dapat diatur ketinggiannya.

- ▶ **Baca semua petunjuk peringatan keamanan yang tercantum untuk meja kerja.** Jika petunjuk untuk keamanan kerja dan penggunaan tidak dipatuhi, dapat terjadi kontak listrik, kebakaran dan/atau cedera parah.
- ▶ **Sebelum memasang perkakas listrik pada meja kerja, rakit dulu meja kerja dengan benar.** Perakitan yang tepat sangat penting dilakukan agar meja kerja tidak roboh.
- Pasang perkakas listrik di area kerja pada posisi pengangkutan.

#### Pengisap debu/serbuk gergaji

Debu dari bahan-bahan seperti cat yang mengandung timbal, beberapa jenis kayu, bahan mineral dan logam dapat berbahaya bagi kesehatan. Menyentuh atau menghirup debu tersebut dapat mengakibatkan reaksi alergi dan/atau penyakit saluran pernapasan bagi pengguna atau orang yang berada di dekatnya.

Beberapa debu tertentu seperti misalnya debu kayu pohon ek atau pohon fagus silvatica dianggap dapat mengakibatkan penyakit kanker, terutama dalam campuran dengan bahan-bahan tambahan untuk pengolahan kayu (kromat, obat pengawet kayu). Bahan-bahan yang mengandung asbes hanya boleh dikerjakan oleh orang-orang yang ahli.

- Gunakanlah hanya pengisap debu yang cocok untuk mengisap bahan yang dikerjakan.
- Pastikan terdapat ventilasi udara yang baik di tempat kerja.

- Dianjurkan untuk memakai masker anti debu dengan filter kelas P2.

Taatilah peraturan-peraturan untuk bahan-bahan yang dikerjakan yang berlaku di negara Anda.

► **Hindari debu yang banyak terkumpul di tempat kerja.**

Debu dapat tersulut dengan mudah.

Pengisap debu/serbuk dapat tersumbat oleh debu, serbuk atau serpihan dari benda yang dikerjakan.

- Matikan perkakas listrik dan lepaskan baterai.
- Tunggu hingga mata gergaji benar-benar berhenti.
- Periksa penyebab tersumbatnya perkakas dan segera perbaiki.

► **Untuk mencegah risiko kebakaran saat menggergaji aluminium, kosongkan penutup mata gergaji bawah dan jangan menggunakan pengisap serbuk gergaji.**

**Membersihkan penutup mata gergaji bawah (lihat gambar j)**

Penutup mata gergaji bawah (46) dapat dibuka untuk membersihkan serpihan benda kerja dan serbuk gergaji berukuran besar.

- Matikan perkakas listrik dan lepaskan baterai dari perkakas listrik.
- Tunggu hingga mata gergaji benar-benar berhenti.
- Miringkan perkakas listrik ke samping.
- Buka kisi-kisi lantai (33) (lihat gambar a).
- Pisahkan tab (47) penutup mata gergaji bawah secara perlahan dan buka penutup mata gergaji bawah (46).
- Singkirkan serpihan benda kerja dan serbuk gergaji.
- Tutup kembali penutup mata gergaji bawah (46) hingga tab (47) terkunci.
- Tutup kisi-kisi lantai (33).
- Atur perkakas listrik pada posisi pengoperasian.

**Pengisap debu eksternal (lihat gambar k)**

- Pasang slang pengisap debu yang sesuai dengan kencang ke dalam adaptor pengisap (31).

Mesin pengisap debu harus sesuai dengan bahan yang dikerjakan.

Gunakan mesin pengisap khusus saat mengisap debu yang sangat berbahaya bagi kesehatan, pemicu kanker atau debu kering.

**Mengganti mata gergaji (lihat gambar l1-l4)**

- **Sebelum melakukan semua pekerjaan pada perkakas listrik (misalnya merawat, mengganti alat kerja, dsb.) serta selama transpor dan penyimpanan, keluarkanlah baterai dari perkakas listrik.** Terdapat risiko cedera apabila tombol untuk menghidupkan dan mematikan dioperasikan tanpa sengaja.
- **Pakailah sarung tangan pelindung pada waktu memasang mata gergaji.** Terdapat risiko cedera.
- **Hanya selalu gunakan mata gergaji dengan kecepatan putaran maksimal yang diizinkan yang lebih tinggi daripada kecepatan putaran tanpa beban dari perkakas listrik.**

- **Gunakanlah hanya mata gergaji yang sesuai dengan data yang tercantum di panduan pengoperasian dan pada perkakas listrik serta telah diuji menurut peraturan EN 847-1, dan sesuai dengan yang digambarkan.**

- **Gunakanlah hanya mata gergaji yang dianjurkan oleh produsen perkakas listrik ini dan yang sesuai dengan bahan yang dikerjakan.**

- **Jangan menggunakan mata gergaji berbahan baja HSS (High-speed Steel).** Mata gergaji dari bahan ini mudah patah.

**Melepaskan mata gergaji**

- Buka tuas penjepit (39) lalu lepaskan tutup pelindung (3) dari alur pada pemegang pelindung atas (4).
- Putar sekrup pengunci (38) dengan ujung kunci ring (9) hingga maksimal ke arah putaran "Membuka" dan angkat sisipan meja (25) dari batang alat. Gunakan lubang gagang (48) untuk memudahkan pengangkatan.
- Putar engkol (15) searah jarum jam hingga maksimal sehingga mata gergaji (26) berada pada posisi setinggi mungkin di atas meja potong.
- Putar mur penjepit (49) menggunakan kunci ring (9) dan tarik tuas pengunci poros (50) secara bersamaan hingga terkunci.
- Tarik dan tahan tuas pengunci poros dan lepaskan mur penjepit dengan memutarnya berlawanan arah jarum jam.
- Lepas flensa penjepit (51).
- Lepas mata gergaji (26).

**Memasang mata gergaji**

- Jika perlu, bersihkan dahulu semua komponen yang akan dipasang sebelum melakukan pemasangan.
- Pasang mata gergaji baru pada flensa dudukan (52) poros perkakas (53).

**Catatan:** Jangan menggunakan mata gergaji yang terlalu kecil. Celah radial antara mata gergaji dengan pemegang pelindung atas (riving knife) tidak boleh lebih dari 3 – 8 mm.

- **Saat memasang mata gergaji, pastikan arah pemotongan gigi (arah panah pada mata gergaji) sesuai dengan arah panah pada pemegang pelindung atas !**
- Pasang flensa penjepit (51) dan mur penjepit (49).
- Putar mur penjepit (49) menggunakan kunci ring (9) dan tarik tuas pengunci poros (50) secara bersamaan hingga terkunci.
- Kencangkan mur penjepit dengan memutarnya searah jarum jam.
- Masukkan sisipan meja (25) di atas pemegang pelindung atas (4) ke dalam batang alat. Putar sekrup pengunci (38) dengan ujung kunci ring (9) hingga maksimal ke arah putaran "Menutup".
- Pasang kembali tutup pelindung (3).

## Pengoperasian

► **Sebelum melakukan semua pekerjaan pada perkakas listrik (misalnya merawat, mengganti alat kerja, dsb.) serta selama transpor dan penyimpanan, keluarkanlah baterai dari perkakas listrik.** Terdapat risiko cedera apabila tombol untuk menghidupkan dan mematikan dioperasikan tanpa sengaja.

### Posisi pengangkutan dan posisi pengoperasian mata gergaji

#### Posisi pengangkutan

- Lepaskan tutup pelindung (3), lepaskan sisipan meja (25) dan atur posisi pemegang pelindung atas (riving knife) (4) pada posisi paling bawah. Pasang kembali sisipan meja (25).
- Putar engkol (15) berlawanan arah jarum jam hingga gigi mata gergaji (26) berada di bawah meja potong (23).
- Dorong pelebaran meja potong (6) ke dalam sepenuhnya. Tekan kenop pengencang (13) ke bawah. Dengan demikian, pelebaran meja potong terkunci.

#### Posisi pengoperasian

- Atur posisi pemegang pelindung atas (riving knife) (4) di posisi teratas pada bagian tengah mata gergaji, pasang sisipan meja (25) lalu pasang tutup pelindung (3).
- Putar engkol (15) searah jarum jam hingga gigi atas mata gergaji (26) berada sekitar 3 – 6 mm di atas benda kerja.

### Memperbesar meja potong

Benda kerja yang panjang dan berat harus dialasi atau ditopang pada ujungnya.

#### Pelebaran meja potong (lihat gambar A)

Pelebaran meja potong (6) akan memperluas area meja potong (23) ke kanan.

- Tarik kenop pengencang (13) untuk memperlebar meja potong ke atas sepenuhnya.
- Tarik pelebaran meja potong (6) ke luar hingga mencapai panjang yang diinginkan.
- Tekan kenop pengencang (13) ke bawah. Dengan demikian, pelebaran meja potong terkunci.

### Mengatur sudut potong vertikal dan horizontal

Untuk menjamin pemotongan yang tepat, penyetelan dasar perkakas listrik harus diperiksa setelah perkakas listrik digunakan secara intensif dan jika perlu lakukan pengaturan.

#### Mengatur sudut potong vertikal (mata gergaji) (lihat gambar B)

Sudut potong vertikal dapat diatur dalam rentang sekitar 0° hingga 45°.

- Kendurkan tuas pengencang (20) berlawanan arah jarum jam.

**Catatan:** Jika tuas pengunci telah benar-benar dikendurkan, mata gergaji akan miring ke satu posisi sekitar 30° akibat gravitasi.

- Tarik atau tekan alat pemutar tangan (14) di sepanjang pemisah hingga indikator sudut (21) menampilkan sudut potong vertikal yang diinginkan.
- Tahan alat pemutar tangan pada posisi ini dan kencangkan kembali tuas pengunci (20).

**Untuk mengatur sudut standar vertikal 0° dan 45° secara cepat dan tepat,** terdapat pembatas ((22), (18)) yang telah diatur dari pabrik.

#### Mengatur sudut potong horizontal (mistar sudut) (lihat gambar C)

Sudut potong horizontal dapat diatur dalam rentang 30° (sisi kiri) hingga 30° (sisi kanan).

- Kendurkan kenop pengunci (54) jika kenop dikencangkan.
- Putar mistar sudut hingga indikator sudut (55) menunjukkan sudut potong yang diinginkan.
- Kencangkan kembali kenop pengunci (54).

#### Mengatur mistar sejajar

Mistar sejajar (5) dapat diatur posisinya di sisi kiri (skala warna hitam) atau kanan (skala warna perak) dari mata gergaji. Penanda pada tampilan skala (56) menampilkan jarak mistar sejajar yang diatur ke mata gergaji pada skala (1).

Atur posisi mistar sejajar ke sisi mata gergaji yang diinginkan (lihat „Memasang mistar sejajar (lihat gambar e)“, Halaman 139).

#### Mengatur mistar sejajar

##### saat meja potong tidak ditarik ke luar

- Kendurkan kenop pengencang (41) mistar sejajar (5). Geser mistar sejajar hingga penanda pada tampilan skala (56) menunjukkan jarak yang diinginkan ke mata gergaji. Saat meja potong tidak ditarik ke luar, penanda bawah dari skala berwarna perak (1) yang berlaku.
- Untuk mengencangkan, tekan kembali kenop pengencang (41) ke bawah.

#### Mengatur mistar sejajar

##### saat meja potong ditarik ke luar (lihat gambar D)

- Atur posisi mistar sejajar di sisi kanan dari mata gergaji. Geser mistar sejajar hingga penanda pada tampilan skala (56) menunjukkan skala bawah 29 cm. Untuk mengencangkan, tekan kembali kenop pengencang (41) ke bawah.
- Tarik kenop pengencang (13) untuk memperlebar meja potong ke atas sepenuhnya.
- Tarik pelebaran meja potong (6) ke luar hingga penunjuk jarak (57) menunjukkan jarak yang diinginkan ke mata gergaji pada skala atas.
- Tekan kenop pengencang (13) ke bawah. Dengan demikian, pelebaran meja potong terkunci.

## Mengatur mistar sejajar tambahan (lihat gambar E)

Untuk menggergaji benda kerja yang lebih kecil dan menggergaji sudut potong vertikal, mistar sejajar tambahan (43) harus dipasang pada mistar sejajar (5).

Mistar sejajar tambahan dapat dipasang pada sisi kiri atau kanan pada mistar sejajar (5) sesuai keperluan.

Selama penggergajian, benda kerja dapat terjepit di antara mistar sejajar dan mata gergaji, terperangkap oleh mata gergaji yang bergerak naik dan terpendal.

Oleh karena itu, atur mistar sejajar tambahan sedemikian rupa hingga ujung pemandunya berakhir dalam bidang antara gigi mata gergaji yang paling depan dan sisi depan dari pemegang pelindung atas (riving knife).

- Untuk itu, kendurkan semua mur kupu-kupu dari set pemasangan (44) dan geser mistar sejajar tambahan hingga hanya kedua sekrup depan yang digunakan untuk mengencangkan.
- Kencangkan kembali semua mur kupu-kupu.

## Mengatur pemegang pelindung atas (riving knife)

Pemegang pelindung atas (riving knife) (4) mencegah mata gergaji (26) terjepit di dalam torehan pemotongan. Terdapat bahaya terjadinya sentakan jika mata gergaji tersangkut pada benda kerja.

Oleh karena itu, selalu pastikan pemegang pelindung atas (riving knife) telah diatur dengan benar:

- Celah radial antara mata gergaji dengan pemegang pelindung atas (riving knife) tidak boleh lebih dari 3 – 8 mm.
- Ketebalan dari pemegang pelindung atas (riving knife) harus lebih kecil daripada lebar pemotongan dan lebih besar dari ketebalan bilah baja.
- Pemegang pelindung atas (riving knife) harus selalu berada pada satu garis dengan mata gergaji.
- Untuk pemotongan biasa, pemegang pelindung atas (riving knife) harus selalu berada pada posisi setinggi mungkin.

## Mengatur tinggi pemegang pelindung atas (lihat gambar F)

Untuk memotong alur, atur tinggi pemegang pelindung atas.

- ▶ **Hanya gunakan perkakas listrik dengan perangkat pelindung yang tepat dan sesuai (misalnya tutup pelindung yang berbentuk terowongan, ring penekan) untuk membuat alur atau lekukan.**
- Buka tuas penjepit (39) lalu lepaskan tutup pelindung (3) dari alur pada pemegang pelindung atas (4). Untuk mencegah kerusakan, simpanlah kap pelindung di dalam penahan (11) yang tersedia pada housing (lihat juga gambar 02).
- Putar engkol (15) searah jarum jam hingga maksimal sehingga mata gergaji (26) berada pada posisi setinggi mungkin di atas meja potong.

- Kendurkan tuas penjepit (36) searah jarum jam hingga tuas mengarah ke atas.
- Tarik pemegang pelindung atas pada pin (37) (tarik sedikit tuas penjepit (36) ke luar) lalu dorong pemegang pelindung atas (4) ke bawah hingga maksimal.
- Kunci kedua pin (37) ke dalam lubang bagian atas pada pemegang pelindung atas dan kencangkan kembali tuas penjepit (36). Tanda (35) pada penjepit dan tuas penjepit (36) harus disejajarkan seperti yang ditunjukkan.

## Pengoperasian pertama kali

### Menghidupkan (lihat gambar G1)

- Untuk pengoperasian pertama kali, tekan tombol on/off (16) pada kedua sisi dan tarik ke atas.

### Mematikan (lihat gambar G2)

- Tekan tombol on/off (16) ke bawah sepenuhnya.

### Perlindungan terhadap pengoperasian yang tidak sah (lihat gambar G3)

Untuk melindungi dari pengoperasian yang tidak sah, tombol on/off (16) dapat dikunci dengan gembok.

- Dorong gembok dengan braket panjang melalui lubang pada tombol on/off (16) dan kunci gembok.

## Petunjuk pengoperasian

### Petunjuk umum untuk menggergaji

- ▶ **Pada semua pekerjaan pemotongan, pastikan mata gergaji tidak akan bersentuhan dengan sandaran-sandaran atau bagian-bagian yang lain dari perkakas listrik.**
- ▶ **Hanya gunakan perkakas listrik dengan perangkat pelindung yang tepat dan sesuai (misalnya tutup pelindung yang berbentuk terowongan, ring penekan) untuk membuat lubang atau lekukan.**
- ▶ **Jangan menggunakan perkakas listrik untuk menebas (alur yang berakhir pada benda kerja).**

Lindungilah mata gergaji terhadap benturan dan tumbukan. Jangan menekan mata gergaji dari samping.

Pemegang pelindung atas (riving knife) harus berada pada satu garis lurus dengan mata gergaji supaya benda kerja tidak tersangkut.

Jangan melakukan pengerjaan pada benda yang bengkok. Benda kerja harus selalu mempunyai pinggiran yang lurus untuk diletakkan pada mistar sejajar.

Selalu simpan tongkat pendorong pada perkakas listrik.

### Posisi pengguna perkakas listrik (lihat gambar H)

- ▶ **Jangan pernah berdiri searah dengan bilah gergaji. Selalu posisikan tubuh Anda di sisi yang sama dengan penahan pada sisi bilah gergaji.** Sentakan dapat melontarkan benda kerja dengan kecepatan tinggi ke arah siapa pun yang berdiri di depan atau searah dengan bilah gergaji.
- Jauhkan tangan, jari dan lengan dari mata gergaji yang berputar.

Perhatikanlah petunjuk-petunjuk berikut:

- Pegang benda kerja dengan aman dengan kedua tangan dan tekan dengan kuat ke meja potong.
- Untuk benda kerja yang berukuran kecil dan untuk menggergaji sudut potong vertikal, selalu gunakan tuas pendorong **(12)** yang disediakan dan mistar sejajar tambahan **(43)**.

#### Ukuran benda kerja maksimal

sudut potong vertikal	ketinggian maks. benda kerja [mm]
0°	70
45°	50

### Menggergaji

#### Menggergaji lurus

- Atur mistar sejajar **(5)** pada lebar pemotongan yang diinginkan.
- Letakkan benda kerja di atas meja potong di depan tutup pelindung **(3)**.
- Gunakan engkol **(15)** untuk mengangkat atau menurunkan mata gergaji setinggi atau serendah mungkin hingga gigi bagian atas mata gergaji **(26)** berada pada posisi sekitar 3 – 6 mm di atas benda kerja.
- Hidupkan perkakas listrik.
- Gergaji benda kerja dengan dorongan yang merata. Jika terlalu banyak tekanan yang diberikan, ujung mata gergaji dapat menjadi terlalu panas dan merusak benda kerja.
- Matikan perkakas listrik dan tunggu hingga mata gergaji benar-benar berhenti.

#### Menggergaji sudut potong vertikal

- Atur sudut potong vertikal mata gergaji yang diinginkan. Jika mata gergaji dimiringkan ke kiri, mistar sejajar **(5)** harus berada di sisi kanan mata gergaji.
- Ikuti langkah kerja sesuai: (lihat „Menggergaji lurus“, Halaman 143)

#### Menggergaji sudut potong horizontal (lihat gambar I)

- Atur sudut potong horizontal yang diinginkan pada mistar sudut **(2)**.
- Letakkan benda kerja pada mistar sudut **(2)**.
- Gunakan engkol **(15)** untuk mengangkat atau menurunkan mata gergaji setinggi atau serendah mungkin hingga gigi gergaji bagian atas berada sekitar 5 mm di atas permukaan benda kerja.
- Hidupkan perkakas listrik.
- Tekan benda kerja ke mistar sudut dengan satu tangan sementara tangan satunya berada pada kenop pengunci **(54)** untuk mendorong mistar sudut perlahan ke depan di dalam alur pemandu **(30)**.
- Matikan perkakas listrik dan tunggu hingga mata gergaji benar-benar berhenti.

### Memeriksa dan mengatur pengaturan dasar

Untuk menjamin pemotongan yang tepat, penyetelan dasar perkakas listrik harus diperiksa setelah perkakas listrik digunakan secara intensif dan jika perlu lakukan pengaturan. Untuk melakukannya, diperlukan pengalaman dan perkakas khusus yang sesuai.

Pusat layanan pelanggan Bosch akan melakukan pekerjaan ini dengan cepat dan baik.

#### Mengatur pembatas untuk sudut potong vertikal standar 0°/45°

- Atur perkakas listrik pada posisi pengoperasian.
- Atur sudut potong vertikal mata gergaji pada sudut 0°.
- Lepas tutup pelindung **(3)**.

#### Memeriksa (lihat gambar J1)

- Lepaskan sisipan meja **(25)** (lihat „Memasang sisipan meja (lihat gambar c)“, Halaman 139).
- Atur pengukur sudut pada sudut 90° dan letakkan di atas meja potong **(23)**.

Kaki pengukur sudut harus sejajar dengan mata gergaji **(26)**.

#### Mengatur (lihat gambar J2)

- Kendurkan sekrup **(58)**. Dengan demikian, pembatas 0° **(22)** dapat digerakkan.
- Kendurkan tuas pengunci **(20)**.
- Dorong alat putar tangan **(14)** ke pembatas 0° hingga kaki pengukur sudut sejajar dengan mata gergaji.
- Tahan alat putar tangan pada posisi ini dan kencangkan kembali tuas pengunci **(20)**.
- Kencangkan kembali sekrup **(58)**.
- Pasang kembali sisipan meja **(25)** (lihat „Memasang sisipan meja (lihat gambar c)“, Halaman 139).

Jika setelah pengaturan indikator sudut **(21)** tidak berada dalam satu garis dengan tanda 0° pada skala **(19)**, kendurkan sekrup **(59)** dengan obeng kembang dan arahkan indikator sudut ke sepanjang tanda 0°.

Ulangi langkah kerja di atas untuk sudut potong vertikal 45° (Mendurkan sekrup **(60)**; Menggeser pembatas 45° **(18)**). Dalam hal ini, indikator sudut **(21)** tidak boleh disetel kembali.

#### Kesejajaran mata gergaji pada alur pemandu mistar sudut (lihat gambar K)

- Atur perkakas listrik pada posisi pengoperasian.
- Lepas tutup pelindung **(3)**.

#### Memeriksa

- Gunakan pensil untuk menandai gigi gergaji kiri pertama yang terlihat di belakang di atas sisipan meja.
- Atur pengukur sudut sebesar 90° dan letakkan ke tepi alur pemandu **(30)**.
- Geser kaki pengukur sudut hingga menyentuh gigi gergaji yang ditandai dan bacalah jarak antara mata gergaji ke alur pemandu.
- Putar mata gergaji hingga gigi yang ditandai berada di depan di atas sisipan meja.
- Geser mistar pengukur sudut sepanjang alur pemandu sampai gigi mata gergaji yang diberi tanda.

- Ukur kembali jarak antara mata gergaji dan alur pemandu. Kedua jarak yang diukur harus sama.

#### Mengatur

- Kendurkan sekrup kepala heksagonal (61) di depan di bawah meja potong dan sekrup kepala heksagonal (62) di belakang di bawah meja potong menggunakan kunci L yang tersedia (10).
- Gerakkan mata gergaji dengan hati-hati hingga mata gergaji sejajar dengan alur pemandu (30).
- Kencangkan kembali semua sekrup (61) dan (62).

#### Mengatur penunjuk jarak meja potong (lihat gambar L)

- Atur posisi mistar sejajar di sisi kanan dari mata gergaji. Geser mistar sejajar hingga penanda pada tampilan skala (56) menunjukkan skala bawah 29 cm. Untuk mengencangkan, tekan kembali kenop pengencang (41) ke bawah.
- Tarik kenop pengencang (13) sepenuhnya ke atas lalu tarik pelebaran meja potong (6) ke luar hingga maksimal.

#### Memeriksa

Skala atas (1) pada penunjuk jarak (57) harus menampilkan nilai yang sama seperti penanda pada tampilan skala (56) pada skala bawah (1).

#### Mengatur

- Tarik ke luar pelebaran meja potong (6) hingga maksimal.
- Kendurkan sekrup (63) menggunakan obeng kembang lalu arahkan penunjuk jarak (57) ke sepanjang 29 tanda cm skala atas (1).

#### Mengatur kesejajaran mistar sejajar (lihat gambar M)

- Atur perkakas listrik pada posisi pengoperasian.
- Lepas tutup pelindung (3).
- Kendurkan kenop pengencang (41) mistar sejajar dan geser hingga menyentuh mata gergaji.

#### Memeriksa

Mistar sejajar (5) harus menyentuh sepanjang mata gergaji.

#### Mengatur

- Kendurkan semua sekrup kepala heksagonal (64) menggunakan kunci L yang tersedia (10).
- Gerakkan mistar sejajar (5) dengan hati-hati hingga menyentuh sepanjang mata gergaji.
- Tahan mistar sejajar pada posisi ini dan tekan kembali kenop pengencang (41) ke bawah.
- Kencangkan kembali sekrup kepala heksagonal (64).

#### Mengatur daya penjepitan mistar sejajar

Daya jepit mistar sejajar (5) dapat menurun setelah sering digunakan.

- Kencangkan sekrup pengatur (24) hingga mistar sejajar dapat dipasang kembali pada meja gergaji dengan kencang.

#### Mengatur tampilan skala mistar sejajar (lihat gambar M)

- Atur perkakas listrik pada posisi pengoperasian.
- Lepas tutup pelindung (3).
- Geser mistar sejajar (5) dari kanan hingga mistar menyentuh mata gergaji.

#### Memeriksa

Penanda tampilan skala (56) harus berada segaris dengan tanda 0 mm pada skala (1).

#### Mengatur

- Kendurkan sekrup (65) dengan obeng kembang dan arahkan penanda ke sepanjang tanda 0 mm.

#### Mengatur ketinggian sisipan meja (lihat gambar N)

#### Memeriksa

Sisi depan sisipan meja (25) harus terpasang rata atau berada sedikit di bawah meja potong, sisi belakangnya harus terpasang rata atau berada sedikit di atas meja potong.

#### Mengatur

- Dengan ujung kunci ring (9), atur ketinggian yang tepat dari sekrup penyetel (66).

### Penyimpanan dan pengangkutan

#### Menyimpan komponen perangkat (lihat gambar O1–O2)

Perkakas listrik memiliki tempat untuk menyimpan komponen perangkat tertentu dengan aman.

- Lepaskan mistar sejajar tambahan (43) dari mistar sejajar (5).
- Simpan semua komponen perangkat yang dilepas ke dalam tempat penyimpanan pada housing (lihat tabel berikut).

Komponen perangkat	Tempat penyimpanan
Mistar sejajar (5)	putar, kaitkan dari bawah ke dalam rel pemandu dan kencangkan kenop pengencang (41)
Tuas pendorong (12)	masukkan ke dalam tempat penyimpanan (67)
Tutup pelindung (3)	kaitkan ke dalam lekukan penahan (11) dan kencangkan dengan tuas penjepit (39)
Kunci L (10)	masukkan ke dalam tempat penyimpanan (68)
Kunci ring (9)	masukkan ke dalam tempat penyimpanan (69)
Mistar sudut (2)	masukkan ke dalam tempat penyimpanan (7)
Mistar sejajar tambahan (43)	geser ke dalam alur pada bagian belakang mistar sejajar (5) dan kencangkan dengan baut kupu-kupu

#### Mengangkat perkakas listrik

- ▶ **Sebelum melakukan semua pekerjaan pada perkakas listrik (misalnya merawat, mengganti alat kerja, dsb.) serta selama transport dan penyimpanan, keluarkanlah baterai dari perkakas listrik.** Terdapat risiko cedera apabila tombol untuk menghidupkan dan mematikan dioperasikan tanpa sengaja.



Sebelum mengangkat perkakas listrik, lakukan langkah-langkah berikut:

- Atur perkakas listrik pada posisi pengangkutan (lihat „Posisi pengangkutan“, Halaman 141).
  - Lepas semua komponen aksesoris yang tidak dapat dipasang dengan kencang pada perkakas listrik. Selama pengangkutan, mata gergaji yang tidak dipakai sebaiknya disimpan di dalam tempat tertutup.
  - Dorong pelebaran meja potong **(6)** sepenuhnya ke dalam dan tekan kenop pengencang **(13)** ke bawah untuk mengencangkan.
  - Gunakan gagang angkat **(29)** untuk mengangkat atau mengangkut.
- **Saat mengangkat perkakas listrik, hanya gunakan komponen transpor dan jangan pernah menggunakan komponen perlindungan.**

## Perawatan dan servis

### Perawatan dan pembersihan

- **Sebelum melakukan semua pekerjaan pada perkakas listrik (misalnya merawat, mengganti alat kerja, dsb.) serta selama transpor dan penyimpanan, keluarkanlah baterai dari perkakas listrik.** Terdapat risiko cedera apabila tombol untuk menghidupkan dan mematikan dioperasikan tanpa sengaja.
- **Perkakas listrik dan lubang ventilasi harus selalu dibersihkan agar perkakas dapat digunakan dengan baik dan aman.**

### Pembersihan

Setelah setiap penggunaan, bersihkan perkakas listrik dari debu dan serbuk dengan cara ditiup dengan udara bertekanan atau dengan kuas.

### Tindakan untuk mengurangi kebisingan

Tindakan oleh produsen:

- Awalan start yang perlahan
- Perkakas listrik dipasang dengan mata gergaji yang dirancang khusus untuk mengurangi kebisingan

Tindakan oleh pengguna perkakas:

- Pasang perkakas listrik pada bidang kerja yang stabil sehingga vibrasi berkurang
- Gunakan mata gergaji dengan fungsi mengurangi kebisingan
- Bersihkan mata gergaji dan perkakas listrik secara berkala

### Layanan pelanggan dan konsultasi penggunaan

Layanan pelanggan Bosch menjawab semua pertanyaan Anda tentang reparasi dan perawatan serta tentang suku cadang produk ini. Gambaran teknis (exploded view) dan informasi mengenai suku cadang dapat ditemukan di:

[www.bosch-pt.com](http://www.bosch-pt.com)

Tim konsultasi penggunaan Bosch akan membantu Anda menjawab pertanyaan seputar produk kami beserta aksesorinya.

Jika Anda hendak menanyakan sesuatu atau memesan suku cadang, selalu sebutkan nomor model yang terdiri dari 10 angka dan tercantum pada label tipe produk.

### Indonesia

PT Robert Bosch Indonesia  
 Arkadia Green Park Tower G – 7th floor  
 Jl. Let. Jend. TB. Simatupang Kav.88  
 Jakarta 12520  
 Tel.: (021) 3005 5800  
 Fax: (021) 3005 5801  
 E-Mail: [boschpowertools@id.bosch.com](mailto:boschpowertools@id.bosch.com)  
[www.bosch-pt.co.id](http://www.bosch-pt.co.id)

### Alamat layanan lainnya dapat ditemukan di:

[www.bosch-pt.com/serviceaddresses](http://www.bosch-pt.com/serviceaddresses)

### Transpor

Baterai li-ion yang direkomendasikan tunduk pada persyaratan terkait peraturan tentang bahan-bahan yang berbahaya. Baterai dapat diangkut di jalan oleh penggunanya tanpa pembatasan lebih lanjut.

Pada pengiriman oleh pihak ketiga (misalnya transportasi udara atau perusahaan ekspedisi) harus ditaati syarat-syarat terkait kemasan dan pemberian tanda. Dalam hal ini, diperlukan konsultasi dengan ahli bahan-bahan berbahaya saat mengatur barang pengiriman.

Kirimkan baterai hanya jika housing-nya tidak rusak. Tutup bagian-bagian yang terbuka dan kemas baterai agar tidak bergerak-gerak di dalam kemasan. Taatilah peraturan-peraturan nasional lainnya yang mungkin lebih rinci yang berlaku di negara Anda.

### Cara membuang



Perkakas listrik, baterai, aksesoris dan kemasan harus didaur ulang dengan cara yang ramah lingkungan.



Jangan membuang perkakas listrik, aki/baterai ke dalam sampah rumah tangga!

### Baterai:

#### Li-ion:

Perhatikanlah petunjuk-petunjuk dalam bab Transpor (lihat „Transpor“, Halaman 145).

## Tiếng Việt

### Hướng dẫn an toàn

#### Cảnh báo Tổng quát Cách sử dụng An toàn Dụng cụ điện Cầm tay

**⚠ CẢNH BÁO** Hãy đọc toàn bộ các cảnh báo an toàn, hướng dẫn, hình ảnh và thông số kỹ thuật được cung cấp cho dụng cụ điện cầm tay này. Không tuân thủ mọi hướng dẫn được liệt kê dưới đây có thể bị điện giật, gây cháy và /hay bị thương tật nghiêm trọng. **Hãy giữ tất cả tài liệu về cảnh báo và hướng dẫn để tham khảo về sau.**

Thuật ngữ "dụng cụ điện cầm tay" trong phần cảnh báo là để cập đến sự sử dụng dụng cụ điện cầm tay của bạn, loại sử dụng điện nguồn (có dây cắm điện) hay vận hành bằng pin (không dây cắm điện).

#### Khu vực làm việc an toàn

- ▶ **Giữ nơi làm việc sạch và đủ ánh sáng.** Nơi làm việc bừa bộn và tối tăm dễ gây ra tai nạn.
- ▶ **Không vận hành dụng cụ điện cầm tay trong môi trường dễ gây nổ, chẳng hạn như nơi có chất lỏng dễ cháy, khí đốt hay rác.** Dụng cụ điện cầm tay tạo ra các tia lửa nên có thể làm rác bén cháy hay bốc khói.
- ▶ **Không để trẻ em hay người đến xem đứng gần khi vận hành dụng cụ điện cầm tay.** Sự phân tâm có thể gây ra sự mất điều khiển.

#### An toàn về điện

- ▶ **Phích cắm của dụng cụ điện cầm tay phải thích hợp với ổ cắm.** Không bao giờ được cải biến lại phích cắm dưới mọi hình thức. Không được sử dụng phích tiếp hợp nối tiếp đất (dây mát). Phích cắm nguyên bản và ổ cắm đúng loại sẽ làm giảm nguy cơ bị điện giật.
- ▶ **Tránh không để thân thể tiếp xúc với đất hay các vật có bề mặt tiếp đất như đường ống, lò sưởi, hàng rào và tủ lạnh.** Có nhiều nguy cơ bị điện giật hơn nếu cơ thể bạn bị tiếp hay nối đất.
- ▶ **Không được để dụng cụ điện cầm tay ngoài mưa hay ở tình trạng ẩm ướt.** Nước vào máy sẽ làm tăng nguy cơ bị điện giật.
- ▶ **Không được lạm dụng dây dẫn điện.** Không bao giờ được nắm dây dẫn để xách, kéo hay rút phích cắm dụng cụ điện cầm tay. Không để dây gần nơi có nhiệt độ cao, dầu nhớt, vật nhọn bén và bộ phận chuyển động. Làm hỏng hay cuộn rối dây dẫn làm tăng nguy cơ bị điện giật.
- ▶ **Khi sử dụng dụng cụ điện cầm tay ngoài trời, dùng dây nối thích hợp cho việc sử dụng ngoài trời.** Sử dụng dây nối thích hợp cho việc sử dụng ngoài trời làm giảm nguy cơ bị điện giật.

- ▶ **Nếu việc sử dụng dụng cụ điện cầm tay ở nơi ẩm ướt là không thể tránh được, dùng thiết bị ngắt mạch tự động (RCD) bảo vệ nguồn.** Sử dụng thiết bị ngắt mạch tự động RCD làm giảm nguy cơ bị điện giật.

#### An toàn cá nhân

- ▶ **Hãy tỉnh táo, biết rõ mình đang làm gì và hãy sử dụng ý thức khi vận hành dụng cụ điện cầm tay.** Không sử dụng dụng cụ điện cầm tay khi đang mệt mỏi hay đang bị tác động do chất gây nghiện, rượu hay được phẫn gây ra. Một thoáng mất tập trung khi đang vận hành dụng cụ điện cầm tay có thể gây thương tích nghiêm trọng cho bản thân.
  - ▶ **Sử dụng trang bị bảo hộ cá nhân. Luôn luôn đeo kính bảo vệ mắt.** Trang bị bảo hộ như khẩu trang, giày chống trượt, nón bảo hộ, hay dụng cụ bảo vệ tai khi được sử dụng đúng nơi đúng chỗ sẽ làm giảm nguy cơ thương tật cho bản thân.
  - ▶ **Phòng tránh máy khởi động bất ngờ.** Bảo đảm công tắc máy ở vị trí tắt trước khi cắm vào nguồn điện và/hay lắp pin vào, khi nhắc máy lên hay khi mang xách máy. Ngáng ngón tay vào công tắc máy để xách hay kích hoạt dụng cụ điện cầm tay khi công tắc ở vị trí mở dễ dẫn đến tai nạn.
  - ▶ **Lấy mọi chìa hay khóa điều chỉnh ra trước khi mở điện dụng cụ điện cầm tay.** Khóa hay chìa còn gắn dính vào bộ phận quay của dụng cụ điện cầm tay có thể gây thương tích cho bản thân.
  - ▶ **Không rướn người.** Luôn luôn giữ tư thế đứng thích hợp và thẳng bằng. Điều này tạo cho việc điều khiển dụng cụ điện cầm tay tốt hơn trong mọi tình huống bất ngờ.
  - ▶ **Trang phục thích hợp.** Không mặc quần áo rộng lung tung hay mang trang sức. Giữ tóc và quần áo xa khỏi các bộ phận chuyển động. Quần áo rộng lung tung, đồ trang sức hay tóc dài có thể bị cuốn vào các bộ phận chuyển động.
  - ▶ **Nếu có các thiết bị đi kèm để nối máy hút bụi và các phụ kiện khác, bảo đảm các thiết bị này được nối và sử dụng tốt.** Việc sử dụng các thiết bị gom hút bụi có thể làm giảm các độc hại liên quan đến bụi gây ra.
  - ▶ **Không để thói quen do sử dụng thường xuyên dụng cụ khiến bạn trở nên chủ quan và bỏ qua các quy định an toàn dụng cụ.** Một hành vi bất cẩn có thể gây ra thương tích nghiêm trọng chỉ trong tích tắc.
- Sử dụng và bảo dưỡng dụng cụ điện cầm tay**
- ▶ **Không được ép máy.** Sử dụng dụng cụ điện cầm tay đúng loại theo đúng ứng dụng của bạn. Dụng cụ điện cầm tay đúng chức năng sẽ

làm việc tốt và an toàn hơn theo đúng tiến độ mà máy được thiết kế.

- ▶ **Không sử dụng dụng cụ điện cầm tay nếu như công tắc không tắt và mở được.** Bất kỳ dụng cụ điện cầm tay nào mà không thể điều khiển được bằng công tắc là nguy hiểm và phải được sửa chữa.
- ▶ **Rút phích cắm ra khỏi nguồn điện và/hay pin ra khỏi dụng cụ điện cầm tay nếu có thể tháo được, trước khi tiến hành bất kỳ điều chỉnh nào, thay phụ kiện, hay cất dụng cụ điện cầm tay.** Các biện pháp ngăn ngừa như vậy làm giảm nguy cơ dụng cụ điện cầm tay khởi động bất ngờ.
- ▶ **Cất giữ dụng cụ điện cầm tay không dùng tới nơi trẻ em không lấy được và không cho người chưa từng biết dụng cụ điện cầm tay hay các hướng dẫn này sử dụng dụng cụ điện cầm tay.** Dụng cụ điện cầm tay nguy hiểm khi ở trong tay người chưa được chỉ cách sử dụng.
- ▶ **Bảo quản dụng cụ điện cầm tay và các phụ kiện.** Kiểm tra xem các bộ phận chuyển động có bị sai lệch hay kẹt, các bộ phận bị rạn nứt và các tình trạng khác có thể ảnh hưởng đến sự vận hành của máy. Nếu bị hư hỏng, phải sửa chữa máy trước khi sử dụng. Nhiều tai nạn xảy ra do bảo quản dụng cụ điện cầm tay tồi.
- ▶ **Giữ các dụng cụ cất bên và sạch.** Bảo quản đúng cách các dụng cụ cất có cạnh sắc bên làm giảm khả năng bị kẹt và dễ điều khiển hơn.
- ▶ **Sử dụng dụng cụ điện cầm tay, phụ kiện, đầu cài v. v., đúng theo các chỉ dẫn này, hãy lưu ý đến điều kiện làm việc và công việc phải thực hiện.** Sự sử dụng dụng cụ điện cầm tay khác với mục đích thiết kế có thể tạo nên tình huống nguy hiểm.
- ▶ **Giữ tay cầm và bề mặt nắm luôn khô ráo, sạch sẽ và không dính dầu mỡ.** Tay cầm và bề mặt nắm trơn trượt không đem lại thao tác an toàn và kiểm soát dụng cụ trong các tình huống bất ngờ.

#### Sử dụng và bảo quản dụng cụ dùng pin

- ▶ **Chỉ được sạc pin lại với bộ nạp điện do nhà sản xuất chỉ định.** Bộ nạp điện thích hợp cho một loại pin có thể gây nguy cơ cháy khi sử dụng cho một loại pin khác.
- ▶ **Chỉ sử dụng dụng cụ điện cầm tay với loại pin được thiết kế đặc biệt dành riêng cho máy.** Sử dụng bất cứ loại pin khác có thể dẫn đến thương tật hay cháy.
- ▶ **Khi không sử dụng pin, để cách xa các vật bằng kim loại như kẹp giấy, tiền xu, chìa khoá, đinh, ốc vít hay các đồ vật kim loại nhỏ khác, thứ có thể tạo sự nối tiếp từ một đầu**

**cực với một đầu cực khác.** Sự chập mạch của các đầu cực với nhau có thể gây bỏng hay cháy.

- ▶ **Bảo quản ở tình trạng tối, dung dịch từ pin có thể tứa ra; tránh tiếp xúc.** Nếu vô tình chạm phải, hãy xối nước để rửa. Nếu dung dịch vào mắt, cần thêm sự hỗ trợ của y tế. Dung dịch tiết ra từ pin có thể gây ngứa hay bỏng.
- ▶ **Không được sử dụng bộ pin hoặc dụng cụ đã bị hư hại hoặc bị thay đổi.** Pin hỏng hoặc bị thay đổi có thể gây ra những tác động không lường trước được như cháy nổ hoặc nguy cơ thương tích.
- ▶ **Không đặt bộ pin hoặc dụng cụ ở gần lửa hoặc nơi quá nhiệt.** Tiếp xúc với lửa hoặc nhiệt độ cao trên 130 °C có thể gây nổ.
- ▶ **Tuân thủ tất cả các hướng dẫn nạp và không nạp bộ pin hay dụng cụ ở bên ngoài phạm vi nhiệt độ đã được quy định trong các hướng dẫn.** Nạp không đúng cách hoặc ở nhiệt độ ngoài phạm vi nạp đã quy định có thể làm hư hại pin và gia tăng nguy cơ cháy.

#### Bảo dưỡng

- ▶ **Đưa dụng cụ điện cầm tay của bạn đến thợ chuyên môn để bảo dưỡng, chỉ sử dụng phụ tùng đúng chủng loại để thay.** Điều này sẽ đảm bảo sự an toàn của máy được giữ nguyên.
- ▶ **Không bao giờ sửa chữa các bộ pin đã hư hại.** Chỉ cho phép nhà sản xuất hoặc các nhà cung cấp dịch vụ có ủy quyền thực hiện dịch vụ sửa chữa cho các bộ pin.

#### Hướng dẫn an toàn cho máy cửa bàn

##### Các cảnh báo liên quan đến tấm chắn bảo vệ

- ▶ **Giữ tấm chắn bảo vệ tại chỗ. Tấm chắn bảo vệ phải hoạt động tốt và được lắp đúng cách.** Phải sửa chữa hoặc thay thế tấm chắn bảo vệ bị lỏng, bị hư hỏng, hoặc không hoạt động đúng cách.
- ▶ **Luôn sử dụng tấm chắn bảo vệ lưới cửa và chêm mở mạch cửa cho mọi thao tác cắt đứt.** Đối với các thao tác cắt đứt khi lưới cửa cắt hoàn toàn qua chiều dày của phôi gia công, tấm chắn bảo vệ và các thiết bị an toàn khác sẽ giúp giảm nguy cơ gây tổn thương.
- ▶ **Sau khi hoàn thành một vết cắt không xuyên qua như cắt xoi rãnh, hãy khôi phục dao tách lớp về vị trí kéo dài kiểu đứng, khi dao tách lớp ở vị trí kéo dài kiểu đứng, hãy lắp lại nắp bảo vệ lưới.** Nắp bảo vệ lưới và dao tách lớp giúp giảm nguy cơ gây thương tích.
- ▶ **Đảm bảo lưới cửa không tiếp xúc với tấm chắn bảo vệ, chêm mở mạch cửa hoặc phôi gia công trước khi bật công tắc.** Sự tiếp xúc vô tình của các bộ phận này với lưới cửa có thể gây ra tình trạng nguy hiểm.
- ▶ **Điều chỉnh chêm mở mạch cửa như được mô tả trong tài liệu hướng dẫn này.** Việc đặt, định

vị và căn chỉnh sai có thể làm cho chêm mở mạch cửa mất tác dụng làm giảm khả năng sinh ra lực phản hồi.

- ▶ **Để cho chêm mở mạch cửa có tác dụng, cần phải cài nó vào phôi gia công.** Chêm mở mạch cửa không hiệu quả khi cắt các phôi gia công có kích cỡ quá ngắn để gắn với chêm mở mạch cửa. Trong trường hợp này, không thể ngăn chặn được lực phản hồi bằng chêm mở mạch cửa.
- ▶ **Hãy sử dụng lưỡi cửa phù hợp để làm chêm mở mạch cửa.** Để chêm mở mạch cửa hoạt động đúng, đường kính lưỡi cửa phải vừa khớp với chêm mở mạch cửa và thân lưỡi cửa phải mỏng hơn độ dày của chêm mở mạch cửa và độ rộng cắt của lưỡi cửa phải rộng hơn độ dày của chêm mở mạch cửa.

#### Các cảnh báo về quy trình cắt

- ▶ **⚠ NGUY HIỂM: Không được đặt ngón tay hoặc bàn tay của bạn gần hoặc song song với lưỡi cửa.** Một thoáng vô tình hoặc bị trượt có thể hướng bàn tay bạn về phía lưỡi cửa và gây ra thương tích nghiêm trọng.
- ▶ **Chỉ đưa phôi gia công vào lưỡi cửa ngược với hướng xoay.** Việc đưa phôi gia công theo cùng hướng mà lưỡi cửa đang xoay phía trên bàn cửa có thể khiến phôi gia công và bàn tay của bạn bị cuốn vào lưỡi cửa.
- ▶ **Không được sử dụng cữ vát mép để nạp phôi gia công khi xẻ và không được sử dụng cữ dọc làm cữ chặn chiều dài khi cắt ngang bằng cữ vát mép.** Dẫn phôi gia công bằng cữ dọc và cữ vát mép cùng lúc sẽ làm tăng khả năng xảy ra kẹt lưỡi cửa và lực phản hồi.
- ▶ **Khi xẻ, luôn giữ cho phôi tiếp xúc hoàn toàn với bộ cữ chế cửa và luôn dùng lực để nạp phôi gia công giữa bộ cữ chế cửa và lưỡi cửa.** Sử dụng que đẩy khi khoảng cách giữa bộ cữ chế cửa và lưỡi cửa nhỏ hơn 150mm và sử dụng khối đẩy khi khoảng cách này nhỏ hơn 50mm. Các thiết bị "hỗ trợ làm việc" sẽ giữ tay bạn ở khoảng cách an toàn với lưỡi cửa.
- ▶ **Chỉ sử dụng que đẩy do nhà sản xuất cung cấp hoặc được chế tạo phù hợp với các hướng dẫn.** Que đẩy này tạo khoảng cách đủ an toàn từ bàn tay đến lưỡi cửa.
- ▶ **Không được sử dụng que đẩy bị hỏng hoặc bị đứt.** Que đẩy hỏng hoặc bị đứt có thể gây khiến tay bạn trượt vào lưỡi cửa.
- ▶ **Không thực hiện bất kỳ thao tác nào "rảnh tay".** Luôn sử dụng cữ dọc hoặc cữ vát mép để định vị và dẫn phôi gia công. "Rảnh tay" nghĩa là sử dụng bàn tay để đỡ hoặc dẫn phôi gia công, thay vì dùng một cữ chặn hoặc cữ vát mép. Cửa bằng tay dẫn đến căn chỉnh sai, kẹt và lực phản hồi.
- ▶ **Không được với xung quanh hoặc với qua lưỡi cửa đang quay.** Việc với một phôi gia công

có thể dẫn đến tiếp xúc vô tình với lưỡi cửa đang chuyển động.

- ▶ **Sử dụng vật đỡ phôi gia công phụ cho phía sau và/hoặc các bên của lưỡi cửa đối với các phôi gia công dài và/hoặc rộng để giữ chúng cân bằng.** Một phôi gia công dài và/hoặc rộng có khuynh hướng xoay trên mép của bàn cửa, gây ra mất kiểm soát, kẹt và phản hồi lưỡi cửa.
- ▶ **Nạp phôi gia công ở một nhịp độ đều.** Không được uốn cong, xoắn hoặc dịch chuyển phôi gia công từ mặt này qua mặt kia. Nếu bị kẹt, hãy tắt máy ngay lập tức, rút phích cắm ra rồi gỡ bỏ vật bị kẹt. Việc kẹt lưỡi cửa do phôi gia công có thể gây ra lực đẩy ngược hoặc làm ngừng chạy mô-tơ.
- ▶ **Không được gỡ bỏ các mảnh vật liệu cắt trong khi cửa đang chạy.** Vật liệu có thể bị kẹt giữa cữ chặn hoặc bên trong tấm chắn bảo vệ lưỡi cửa và lưỡi cửa và nó có thể cuốn ngón tay của bạn vào lưỡi cửa. Tắt máy cửa và chờ cho đến khi lưỡi cửa dừng lại trước khi gỡ vật liệu.
- ▶ **Sử dụng cữ chặn phụ tiếp xúc với mặt bên của khi xẻ phôi gia công dày dưới 2 mm.** Phôi gia công mỏng có thể chêm dưới thanh cữ và tạo ra lực đẩy ngược.

#### Nguyên nhân gây ra lực phản hồi và các cảnh báo liên quan

Lực phản hồi là một lực tác động đột ngột của phôi gia công do lưỡi cửa bị bó, kẹt hoặc bị lệch đường cắt trên phôi gia công so với lưỡi cửa hoặc khi một bộ phận của phôi gia công kẹt giữa lưỡi cửa và cữ chặn hoặc vật thể cố định khác.

Thường xuyên nhất trong lúc có lực phản hồi, phôi gia công được nâng lên từ bàn cửa bằng phần phía sau của lưỡi cửa và được đẩy về phía người vận hành.

Lực phản hồi là do việc sử dụng sai và/hoặc quy trình hoặc điều kiện vận hành sai máy cửa và có thể phòng tránh bằng cách áp dụng các biện pháp phòng ngừa phù hợp được nêu dưới đây.

- ▶ **Không được đứng song song với lưỡi cửa.** Luôn đặt cơ thể của bạn ở cùng một phía với lưỡi cửa như cữ chặn. Lực phản hồi có thể đẩy phôi gia công ở tốc độ cao về phía bất cứ người nào đứng trước và song song với lưỡi cửa.
- ▶ **Không được với qua hoặc với ra sau lưỡi cửa để kéo hoặc đỡ phôi gia công.** Có thể xảy ra tiếp xúc vô tình với lưỡi cửa hoặc lực phản hồi có thể kéo ngón tay của bạn vào lưỡi cửa.
- ▶ **Không được giữ và ấn phôi gia công đang được cắt rời tựa vào lưỡi cửa đang quay.** Ấn phôi gia công đang cắt rời tựa vào lưỡi cửa sẽ gây kẹt và lực phản hồi.
- ▶ **Căn chỉnh cữ chặn song song với lưỡi cửa.** Cữ chặn bị lệch sẽ bó phôi gia công vào lưỡi cửa và tạo ra lực phản hồi.

- ▶ **Sử dụng một ván cắt vát mỏng để dẫn phôi gia công tựa vào bàn cửa và cũ chặn khi thực hiện các đường cắt không dứt như cắt gio rãnh.** Ván cắt vát mỏng giúp kiểm soát phôi gia công trong trường hợp có lực phản hồi.
- ▶ **Sử dụng các panô lớn để giảm thiểu rủi ro bị kẹt lưới cửa và lực phản hồi.** Các panô lớn thường võng xuống dưới trọng lượng riêng của chúng. (Các) vật đỡ phải được đặt dưới tất cả các phần của panô treo phía trên mặt bàn cửa.
- ▶ **Sử dụng cẩn thận khi cắt một phôi gia công bị xoắn, có mắt, vênh hoặc không có mép thẳng để dẫn hướng phôi gia công bằng cũ vát mép hoặc cũ chặn.** Một phôi gia công vênh, có mắt, hoặc bị xoắn thường gồ ghề và gây lệch rãnh cửa với lưới cửa, gây ra kẹt và lực phản hồi.
- ▶ **Không được cắt nhiều hơn một phôi gia công, được xếp chồng theo chiều dọc hoặc chiều ngang.** Lưới cửa có thể lượn một hoặc nhiều mảnh và gây ra lực phản hồi.
- ▶ **Khi khởi động lại cửa có gắn lưới cửa đang ở trong phôi gia công, chỉnh tâm lưới cửa vào đúng rãnh cửa sao cho rãnh cửa không bị mắc vào vật liệu.** Nếu lưới cửa bị kẹt, nó có thể nâng phôi gia công lên và gây ra lực phản hồi khi cửa được khởi động.
- ▶ **Giữ các lưới cửa sạch sẽ, sắc nhọn, và đủ bộ.** Không sử dụng các lưới cửa bị vênh hoặc các lưới cửa có răng bị vỡ hoặc gãy. Các lưới cửa sắc và được đặt đúng sẽ làm giảm kẹt, dừng và lực phản hồi.

#### Các cảnh báo về quy trình vận hành máy cửa bàn

- ▶ **Tắt cửa bàn và ngắt bộ ắc quy khi tháo chi tiết chèn bàn, thay lưới cửa hoặc điều chỉnh cho chêm mở mạch cửa hoặc tấm chắn bảo vệ lưới cửa, và khi máy không được giám sát.** Các biện pháp phòng ngừa sẽ tránh tai nạn.
- ▶ **Không để cửa bàn chạy mà không giám sát.** Tắt và không rời khỏi dụng cụ cho đến khi nó dừng hoàn toàn. Cửa chạy không giám sát là một mối nguy hiểm không được kiểm soát.
- ▶ **Đặt máy cửa bàn trong một khu vực đủ ánh sáng và bằng phẳng nơi bạn có thể duy trì được chỗ đứng tốt và sự cân bằng tốt.** Nên lắp đặt máy cửa bàn trong một khu vực có đủ không gian để dễ dàng xử lý các phôi gia công có kích thước khác nhau. Các khu vực chật hẹp, tối tăm và sàn trơn không phẳng sẽ gây ra tai nạn.
- ▶ **Thường xuyên lau chùi và loại bỏ mùn cửa ra khỏi bàn cửa và/hoặc thiết bị hút bụi.** Mùn cửa tích tụ dễ bắt lửa và có thể tự bốc cháy.
- ▶ **Bàn cửa phải được cố định chặt.** Bàn cửa không được cố định chặt đúng cách có thể di chuyển hoặc lật.
- ▶ **Gỡ bỏ các dụng cụ, vụn gỗ, v.v. ra khỏi bàn cửa trước khi bật máy cửa bàn.** Sự sao nhãng hoặc kẹt có thể gây nguy hiểm.
- ▶ **Luôn sử dụng các lưới cửa đúng kích cỡ và hình dáng (lưới kim cương khác với lưới tròn) của lỗ tâm.** Các lưới cửa không khớp với các phụ kiện cứng ghép nối của máy cửa sẽ làm lệch tâm và có thể làm mất kiểm soát.
- ▶ **Không được sử dụng các phụ kiện gắn lưới cửa bị hỏng hoặc không chính xác như mặt bích, vòng đệm lưới cửa, bu lông hoặc đai ốc.** Các phụ kiện gắn này được thiết kế đặc biệt cho cửa của bạn, để đảm bảo vận hành an toàn và hiệu suất tối ưu.
- ▶ **Không được đứng trên bàn cửa, không sử dụng nó làm bậc.** Chấn thương nghiêm trọng có thể xảy ra nếu dụng cụ bị nghiêng hoặc nếu vô tình chạm vào dụng cụ cắt.
- ▶ **Đảm bảo lưới cửa được lắp để xoay theo hướng thích hợp.** Không sử dụng bánh mài, bàn chải kim loại, hoặc bánh nhám trên cửa bàn. Lắp lưới cửa không đúng cách hoặc sử dụng các phụ kiện không được khuyến cáo có thể gây ra thương tích nghiêm trọng.

#### Các cảnh báo phụ thêm

- ▶ **Khi lắp ráp lưới cửa, hãy mang găng tay bảo hộ vào.** Việc này bao gồm nguy hiểm gây thương tích.
- ▶ **Không được sử dụng lưới cửa bằng thép HSS.** Những loại lưới cửa như vậy có thể vỡ dễ dàng.
- ▶ **Chỉ sử dụng lưới cửa phù hợp với các đặc tính kỹ thuật được ghi rõ trong các hướng dẫn sử dụng và trên dụng cụ điện và đã được thử nghiệm, và được đánh dấu đáp ứng tiêu chuẩn EN 847-1.**
- ▶ **Không được sử dụng dụng cụ điện mà không có chi tiết gài bàn. Thay chi tiết gài bàn đã hỏng.** Chi tiết gài bàn mà không hoàn hảo, lưới cửa có thể gây ra thương tích.
- ▶ **Giữ nơi làm việc của bạn sạch sẽ.** Các hỗn hợp vật liệu là đặc biệt nguy hiểm. Bụi kim loại nhẹ có thể cháy hoặc nổ.
- ▶ **Hãy chọn lưới cửa phù hợp cho vật liệu, mà bạn muốn gia công.**
- ▶ **Chỉ sử dụng lưới cửa do nhà sản xuất máy khuyến nghị, và thích hợp để cửa loại vật liệu được gia công cắt.**
- ▶ **Bạn chỉ được dẫn phôi gia công tới lưới cửa đang chạy.** Nếu không, có nguy cơ bị lực dội ngược khi lưới cửa bị chèn chặt trong vật gia công.
- ▶ **Trong trường hợp pin bị hỏng hay sử dụng sai cách, hơi nước có thể bốc ra. Pin có thể cháy hoặc nổ.** Hãy làm cho thông thoáng khí và

trong trường hợp bị đau phải nhờ y tế chữa trị. Hơi nước có thể gây ngứa hệ hô hấp.

- ▶ **Không được tháo pin ra.** Nguy cơ bị chập mạch.
- ▶ **Pin có thể bị hư hại bởi các vật dụng nhọn như đinh hay tuốc-nơ-vít hoặc bởi các tác động lực từ bên ngoài.** Nó có thể dẫn tới đoản mạch nội bộ và làm pin bị cháy, bốc khói, phát nổ hoặc quá nóng.
- ▶ **Chỉ sử dụng pin trong các sản phẩm của nhà sản xuất.** Chỉ bằng cách này, pin sẽ được bảo vệ tránh nguy cơ quá tải.



**Bảo vệ pin không để bị làm nóng, ví dụ, chống để lâu dài dưới ánh nắng gay gắt, lửa, chất bẩn, nước, và sự ẩm ướt.** Có nguy cơ nổ và chập mạch.

## Các Biểu Tượng

Các biểu tượng sau đây có khả năng diễn đạt ý nghĩa về cách sử dụng dụng cụ điện cầm tay của bạn. Xin vui lòng ghi nhận các biểu tượng và ý nghĩa của chúng. Sự hiểu đúng các biểu tượng sẽ giúp bạn sử dụng máy một cách tốt và an toàn hơn.

### Biểu tượng và các ý nghĩa của chúng



**Đề tay tránh khỏi phạm vi cắt khi máy đang hoạt động.** Có nguy cơ gây thương tích khi chạm vào lưỡi cưa.



**Hãy mang mặt nạ chống bụi.**

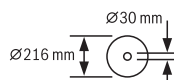


**Hãy mang dụng cụ bảo vệ tai.** Để tai trần tiếp xúc với tiếng ồn có thể làm mất thính giác.



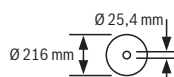
**Hãy mang kính bảo hộ.**

**3 601 M44 000**  
**3 601 M44 0K0**  
**3 601 M44 040**



Hãy tuân thủ kích thước của lưỡi cưa. Đường kính lỗ phải vừa vặn với trục máy của dụng cụ, không bị lỏng lẻo. Nếu cần sử dụng ống nối chuyển tiếp, hãy đảm bảo rằng các kích thước của ống nối chuyển tiếp phải phù hợp với độ dày thép lá và đường kính của trục dụng cụ.

**3 601 M44 0B0**

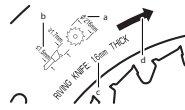


### Biểu tượng và các ý nghĩa của chúng

Hãy sử dụng ống nối chuyển tiếp giao kèm với lưỡi cưa.

Đường kính lưỡi cưa phải phù hợp với thông số trên biểu tượng.

**3 601 M44 000**  
**3 601 M44 0K0**  
**3 601 M44 040**



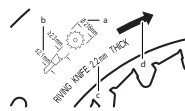
**a** Đường kính của lưỡi cưa tối đa cho phép là 216 mm.

**b** Khi thay lưỡi cưa hãy đảm bảo rằng chiều rộng cắt không nhỏ hơn 1,7 mm và độ dày lưỡi không lớn hơn 1,5 mm. Nếu không, có nguy cơ dao tách lớp bị nện chặt trong phôi gia công.

**c** độ dày của dao tách lớp là 1,6 mm.

**d** Chiều cắt của răng (chiều của mũi tên trên lưỡi cưa) phải cùng chiều với chiều mũi tên trên dao tách lớp.

**3 601 M44 0B0**



**a** Đường kính của lưỡi cưa tối đa cho phép là 216 mm.

**b** Khi thay lưỡi cưa hãy đảm bảo rằng chiều rộng cắt không nhỏ hơn 2,3 mm và độ dày lưỡi không lớn hơn 2,1 mm. Nếu không, có nguy cơ dao tách lớp bị nện chặt trong phôi gia công.

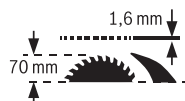
**c** độ dày của dao tách lớp là 2,2 mm.

**d** Chiều cắt của răng (chiều của mũi tên trên lưỡi cưa) phải cùng chiều với chiều mũi tên trên dao tách lớp.

**3 601 M44 000**  
**3 601 M44 0K0**  
**3 601 M44 040**

Độ dày của dao tách lớp là 1,6 mm.

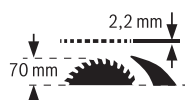
Chiều cao phôi gia công tối đa có thể là 70 mm.

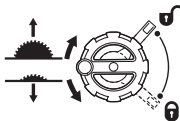


**3 601 M44 0B0**

Độ dày của dao tách lớp là 2,2 mm.

Chiều cao phôi gia công tối đa có thể là 70 mm.



**Biểu tượng và các ý nghĩa của chúng****phía bên trái:**

Hiển thị hướng xoay của tay quay để hạ (**Vị trí vận chuyển**) và nâng (**Vị trí làm việc**) của lưới cửa.

**phía bên phải:**

Hiển thị vị trí của cần khóa để cố định lưới cửa và khi thiết lập góc xiên dọc (Lưới cửa có thể xoay).



Với ký hiệu CE, nhà sản xuất xác nhận rằng dụng cụ điện tuân thủ các chỉ thị áp dụng của EU.

## Mô Tả Sản Phẩm và Đặc Tính Kỹ Thuật



**Đọc kỹ mọi cảnh báo an toàn và mọi hướng dẫn.** Không tuân thủ mọi cảnh báo và hướng dẫn được liệt kê dưới đây có thể bị điện giật, gây cháy và / hay bị thương tật nghiêm trọng.

Xin lưu ý các hình minh hoạt trong phần trước của hướng dẫn vận hành.

### Sử dụng đúng cách

Dụng cụ điện được thiết kế để làm máy đặt cố định dùng để cắt loại gỗ cứng, gỗ mềm và cho ván ghép, ván xơ ép theo chiều dài, chiều ngang. Do đó có thể có góc vuông nằm ngang từ  $-30^\circ$  tới  $+30^\circ$  cũng như góc vuông thẳng đứng từ  $0^\circ$  tới  $45^\circ$ .

Khi sử dụng lưới cửa thích hợp, việc cửa nhôm định hình và nhựa cũng có thể được.

### Các bộ phận được minh họa

Việc đánh số các thành phần đã minh họa liên quan đến mô tả dụng cụ điện trên trang hình ảnh.

- (1) Thước đo khoảng cách lưới cửa đến thanh cử
- (2) Cờ chặn góc
- (3) Nắp bảo vệ
- (4) Dao tách lớp
- (5) Thanh cử
- (6) Phần mở rộng bàn cửa
- (7) Cờ chặn góc Depot
- (8) Lỗ lắp bắt
- (9) Chia vận vòng (23 mm; 13 mm)
- (10) Chia vận lục giác (5 mm)
- (11) Giá đỡ bảo quản nắp bảo vệ
- (12) Cần đẩy
- (13) Quai kẹp cho phần mở rộng bàn cửa
- (14) Tay quay
- (15) Cần quay để hạ và nâng lưới cửa
- (16) Công tắc Tắt/Mở
- (17) Pin<sup>a)</sup>
- (18) Cờ chặn cho góc xiên  $45^\circ$  (đứng)
- (19) Thước đo góc xiên (đứng)
- (20) Cần khóa điều chỉnh góc xiên
- (21) Vạch chỉ độ góc (đứng)
- (22) Cờ chặn cho góc xiên  $0^\circ$  (đứng)
- (23) Bàn cửa
- (24) Vít điều chỉnh cho lực kẹp của thanh cử
- (25) Chi tiết gài bàn
- (26) Lưới cửa
- (27) Rãnh dẫn hướng thanh cử
- (28) Nút tháo pin<sup>a)</sup>
- (29) Tay Xách
- (30) Rãnh dẫn hướng cử chỉnh đặt góc
- (31) Cút nối ống hút
- (32) Rãnh dẫn hướng V trên bàn cửa của thanh cử
- (33) Lưới sàn
- (34) Vít khóa cửa lưới sàn
- (35) Các đánh dấu tay gạt siết/kẹp
- (36) Cần kẹp của dao tách lớp
- (37) Chốt định vị của dao tách lớp
- (38) Vít khóa của chi tiết gài bàn
- (39) Cần kẹp của nắp bảo vệ
- (40) Bu lông dẫn hướng của nắp bảo vệ
- (41) Quai kẹp cố định dưỡng cặp cạnh
- (42) Đường dẫn chữ V của đường cặp cạnh
- (43) Dưỡng cặp cạnh phụ
- (44) Bộ vít định vị „Thanh cử phụ“
- (45) Thanh dẫn hướng cử chỉnh đặt góc
- (46) Tấm che lưới cửa bên dưới
- (47) Lẫy cửa tấm che lưới cửa bên dưới
- (48) Lỗ kẹp để nâng chi tiết gài bàn
- (49) Đai ốc chặn
- (50) Cần khóa trực
- (51) Bích kẹp
- (52) Mặt bích tiếp nhận
- (53) Trụ máy
- (54) Núm khóa dành cho các góc vát khác nhau (ngang)
- (55) Kim chỉ góc trên cử chỉnh đặt góc
- (56) Hiển thị thang đo
- (57) Kim chỉ khoảng hở bàn cửa
- (58) Vít bốn cạnh để điều chỉnh cờ chặn  $0^\circ$
- (59) Vít bắt vạch chỉ độ góc (đứng)

- (60) Vít bốn cạnh để điều chỉnh cỡ chặn 45°
- (61) Các vít lục giác chìm (5 mm) phía trước để điều chỉnh sự song song của lưới cửa
- (62) Các vít lục giác chìm (5 mm) phía sau để điều chỉnh sự song song của lưới cửa
- (63) Vít bắt kim chỉ khoảng hở của bàn cửa
- (64) Các vít lục giác chìm (5 mm) để điều chỉnh sự song song của thanh cỡ
- (65) Vít bắt kim chỉ khoảng hở của dương cặp cạnh
- (66) Các vít điều chỉnh của chi tiết gài bàn
- (67) Cần đẩy Depot
- (68) Chia vận lục giác Depot
- (69) Chia vận vòng Depot
- a) **Phụ tùng được trình bày hay mô tả không phải là một phần của tiêu chuẩn hàng hóa được giao kèm theo sản phẩm. Bạn có thể tham khảo tổng thể các loại phụ tùng, phụ kiện trong chương trình phụ tùng của chúng tôi.**

## Thông số kỹ thuật

Cửa Bàn		GTS 18V-216	GTS 18V-216
Mã số máy		<b>3 601 M44 000</b> <b>3 601 M44 040</b> <b>3 601 M44 0K0</b>	<b>3 601 M44 0B0</b>
Điện thế danh định	V=	18	18
Tốc độ không tải <sup>A)</sup>	min <sup>-1</sup>	4500	4500
Làm giảm cường độ dòng điện khi khởi động		●	●
Trọng lượng theo EPTA-Procedure 01:2014 <sup>B)</sup>	kg	20,5-21,6	20,5-21,6
Nhiệt độ môi trường được khuyến nghị khi sạc	°C	0...+35	0...+35
Nhiệt độ môi trường cho phép trong quá trình vận hành <sup>C)</sup> và trong quá trình lưu trữ	°C	-20...+50	-20...+50
Pin tương thích		GBA 18V... ProCORE18V...	GBA 18V... ProCORE18V...
Pin được khuyến dùng cho công suất tối đa		ProCORE18V... ≥ 5,5 Ah	ProCORE18V... ≥ 5,5 Ah
Thiết bị nạp được giới thiệu		GAL 18... GAX 18... GAL 36...	GAL 18... GAX 18... GAL 36...
<b>Kích thước (bao gồm dụng cụ phụ trợ có thể tháo)</b>			
Chiều rộng x chiều sâu x chiều cao	mm	658 x 332 x 553	658 x 332 x 553
<b>Kích thước lưới cửa phù hợp</b>			
Đường kính lưới cửa	mm	216	216
Độ dày lưới	mm	<1,5	1,5-2,1
Độ dày răng cửa/phần bổ, tối thiểu	mm	>1,7	>2,3
Lỗ lắp lưới cắt	mm	30	25,4

A) Được đo ở 20–25 °C với pin **ProCORE18V 12.0Ah**.

B) tùy vào loại pin lốc đang sử dụng

C) hiệu suất giới hạn ở nhiệt độ <0 °C

Kích thước phối gia công tối đa: (xem „Kích thước phối gia công tối đa“, Trang 158)

Các giá trị có thể khác nhau tùy thuộc vào sản phẩm và tùy thuộc vào ứng dụng và điều kiện môi trường. Xem thêm thông tin chi tiết trên trang [www.bosch-professional.com/wac](http://www.bosch-professional.com/wac).

## Pin

**Bosch** mua dụng cụ điện chạy pin không có pin. Dù pin được bao gồm trong phạm vi giao hàng của dụng cụ điện, bạn có thể tháo bao gì.

## Sạc pin

► **Chỉ sử dụng bộ sạc được đề cập trong dữ liệu kỹ thuật.** Chỉ những bộ sạc này phù hợp



cho dụng cụ điện cầm tay của bạn có sử dụng pin Li-Ion.

**Hướng dẫn:** Pin Lithium-ion được giao một phần do các quy định vận tải quốc tế. Để bảo đảm đầy đủ điện dung, nạp điện hoàn toàn lại cho pin trước khi sử dụng cho lần đầu tiên.

### Lắp pin

Hãy đẩy pin đã sạc vào giá gắn pin cho đến khi nó vào khớp.



**Bosch** khuyến nghị sử dụng các pin có dung lượng tối thiểu là 3,0 Ah.


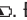
### Tháo pin ra

Để tháo pin bạn hãy ấn nút mở khóa pin và kéo pin ra. **Không dùng sức.**

Pin có 2 mức khóa, có nhiệm vụ ngăn ngừa pin bị rơi ra do vô ý bấm phải nút tháo pin. Cứ khi nào pin còn được lắp trong dụng cụ điện, nó vẫn được giữ nguyên vị trí nhờ vào một lò xo.

### Đèn báo trạng thái nạp pin

Các đèn LED màu xanh của màn hình hiển thị tình trạng sạc pin chỉ ra tình trạng sạc của pin. Vì lý do an toàn, ta chỉ có thể kiểm tra trạng thái của tình trạng nạp điện khi máy đã ngừng hoạt động hoàn toàn.

Để hiển thị tình trạng nạp, bạn hãy nhấn nút để hiển thị mức sạc  hoặc . Điều này cũng có thể thực hiện khi ắc quy được tháo ra.

Đèn LED không sáng sau khi nhấn nút để hiển thị mức sạc có nghĩa là pin bị hỏng và phải được thay thế.

### Kiểu pin GBA 18V...



LED	Điện dung
Đèn sáng liên tục 3× màu xanh lá	60–100 %
Đèn sáng liên tục 2× màu xanh lá	30–60 %
Đèn sáng liên tục 1× màu xanh lá	5–30 %
Đèn nhấp nháy 1× màu xanh lá	0–5 %

### Kiểu pin ProCORE18V...



LED	Điện dung
Đèn sáng liên tục 5× màu xanh lá	80–100 %
Đèn sáng liên tục 4× màu xanh lá	60–80 %
Đèn sáng liên tục 3× màu xanh lá	40–60 %

LED	Điện dung
Đèn sáng liên tục 2× màu xanh lá	20–40 %
Đèn sáng liên tục 1× màu xanh lá	5–20 %
Đèn nhấp nháy 1× màu xanh lá	0–5 %

### Các Khuyến Nghị về Cách Bảo Dưỡng Tốt Nhất cho Pin

Bảo vệ pin hợp khối tránh sự ẩm ướt và nước.

Chỉ bảo quản pin trong tầm nhiệt độ nằm giữa –20 °C và 50 °C. Không để pin trong ô tô vào mùa hè.

Thỉnh thoảng làm sạch các khe thông gió của pin bằng cách dùng một cái cọ khô, mềm và sạch.

Sự giảm sút đáng kể thời gian hoạt động sau khi nạp điện chỉ rõ rằng pin hợp khối đã hết công dụng và phải được thay.

Quy trình hoạt động được chia ra làm hai giai đoạn.

### Sự lắp vào

► **Trước khi tiến hành bất cứ công việc gì với máy (ví dụ bảo dưỡng, thay dụng cụ v.v.) cũng như khi vận chuyển hay lưu kho, tháo pin ra khỏi dụng cụ điện.** Có nguy cơ gây thương tích khi vô tình làm kích hoạt công tắc Tắt/Mở.

### Các món được giao

Trước khi vận hành lần đầu, hãy kiểm tra dụng cụ điện xem tất cả các bộ phận theo thiết kế có được cung cấp đầy đủ không:

- Cửa bàn với lưỡi cửa được lắp **(26)** và dao tách lớp **(4)**
- Cữ chặn góc **(2)**
- Thanh cữ **(5)**
- Thanh cữ phụ **(43)**
- Bộ vít định vị „Thanh cữ phụ“ **(44)** (2 Vít cố định, 2 vòng đệm, 2 đai ốc tai hồng)
- Nắp bảo vệ **(3)**
- Chia vận lục giác **(10)**
- Chia vận vòng **(9)** có đầu nhọn của uốc nơ vít có rãnh
- Cán đẩy **(12)**
- Chi tiết gài bàn **(25)**

**Lưu ý:** Hãy kiểm tra dụng cụ điện xem có hư hỏng nào không.

Trước khi tiến hành sử dụng máy, kiểm tra cẩn thận xem tất cả các chi tiết dùng bảo vệ hay các bộ phận bị hư hỏng nhẹ có hoạt động tốt và theo đúng quy định không. Tất cả các hư hỏng nhẹ phải được kiểm tra cẩn thận để bảo đảm sự hoạt động của dụng cụ được hoàn hảo. Tất cả các bộ phận phải được lắp ráp đúng cách và tất cả các điều kiện cần có phải được đáp ứng đúng và đủ để bảo đảm sự hoạt động được hoàn hảo.

Các chi tiết bảo vệ và các bộ phận hư hỏng phải được thay ngay thông qua một trung tâm bảo hành-bảo trì được ủy nhiệm.

### Các dụng cụ phụ trợ cần thiết (không nằm trong phạm vi giao kèm):

- Chia vặn vít bốn cạnh
- Thước đo góc

### Lắp Ráp Các Thành Phần Chi Tiết

- Lấy tất cả các bộ phận được giao kèm theo máy ra khỏi bao bì một cách cẩn thận.
- Lấy tất cả các gói tài liệu hướng dẫn và các phụ kiện giao kèm ra khỏi máy.
- Hãy vặn các vít khóa (34) bằng đầu nhọn của chia vặn vòng (9) cho đến cỡ chặn theo hướng xoay "Ổ khóa mở" và mở lưới sàn (33) (xem Hình a).

Hãy gỡ vật liệu đóng gói bên dưới khối động cơ.

Gắn những dụng cụ phụ trợ sau đây lên vỏ: Cẩn đây (12), chia vặn vòng (9), chia vặn lục giác (10), thanh cỡ (5), cỡ chặn góc (2), bộ thích ứng hút (31), thanh cỡ phụ (43) với bộ vít định vị (44), nắp bảo vệ (3).

- Ngay khi bạn cần một dụng cụ phụ trợ, hãy tháo cẩn thận ra khỏi vị trí cất giữ.

### Định vị dao tách lớp (xem Hình b1–b2)

**Hướng dẫn:** Nếu thấy cần, làm sạch tất cả các bộ phận sắp lắp vào trước khi định vị.

- Hãy xoay tay quay (15) theo chiều kim đồng hồ cho đến cỡ chặn, để lưới cửa (26) nằm trong vị trí cao nhất có thể trên bàn cửa.
- Nới lỏng tay gạt siết (36) theo chiều kim đồng hồ, cho đến khi nó trở lên trên.
- Hãy đẩy dao tách lớp (4) theo chiều cần kẹp (36), đến khi nó được kéo lên trên.
- Hãy kéo dao tách lớp lên trên, để nó được đặt chính xác qua phần giữa của lưới cửa.
- Hãy cho khớp cả hai chân cắm (37) vào các lỗ khoan bên dưới ở dao tách lớp và siết chặt cần kẹp lại (36).
- Các đánh dấu (35) trên kẹp và trên tay gạt siết (36) phải được căn chỉnh như hình minh họa.

### Lắp chi tiết gài bàn (xem Hình c)

- Hãy đặt chi tiết gài bàn (25) trên dao tách lớp (4) vào trục dụng cụ.
- Hãy vặn vít khóa (38) bằng đầu nhọn của chia vặn vòng (9) cho đến cỡ chặn theo hướng xoay "Ổ khóa đóng".

Mặt trước của chi tiết gài bàn (25) phải nằm ngang bằng hoặc ở bên dưới bàn cửa một chút, mặt dưới phải nằm ngang bằng hoặc ở bên trên bàn cửa một chút.

### Lắp nắp bảo vệ (xem Hình d1–d2)

**Hướng dẫn:** Chỉ lắp nắp bảo vệ, nếu dao tách lớp được đặt ở vị trí trên cùng qua phần giữa của lưới cửa (xem Hình minh họa b2). Không lắp nắp bảo vệ, nếu dao tách lớp ở vị trí dưới cùng (Tình trạng giao hàng hoặc vị trí cửa rãnh) (xem Hình minh họa b1).

- Nới lỏng cần kẹp (39) và lấy nắp bảo vệ ra (3) khỏi giá đỡ (11).
- Giữ chặt bộ phận bảo vệ lưới cửa của nắp bảo vệ bằng một tay (ray kim loại trên) (3) và giữ cần kẹp (39) hướng lên trên bằng tay kia.
- Hãy đẩy bu lông dẫn hướng (40) ra sau vào rãnh của dao tách lớp (4).
- Hãy dẫn nắp bảo vệ (3) xuống dưới, đến khi bộ phận bảo vệ lưới cửa (ray kim loại trên) song song với bề mặt của bàn cửa (23).
- Ấn cần khóa giữ cố định (39) xuống. Cần kẹp phải khớp có thể cảm nhận có hoặc nghe rõ và nắp bảo vệ (3) phải được lắp chặt và an toàn.

► **Vui lòng kiểm tra xem nắp bảo vệ có chuyển động trơn tru không trước khi sử dụng. Không sử dụng dụng cụ điện, nếu nắp bảo vệ chuyển động không tự do và không đóng ngay lập tức.**

### Lắp thanh cỡ (xem Hình e)

Thanh cỡ (5) có thể được lắp ở bên trái hoặc bên phải từ lưới cửa.

- Nới lỏng quai kẹp (41) của thanh cỡ (5). Vì vậy, thanh dẫn hướng V (42) được khớp vào.
- Trước hết hãy lắp thanh cỡ có thanh dẫn hướng V vào rãnh dẫn hướng (32) của bàn cửa. Sau đó hãy định vị thanh cỡ trong rãnh dẫn hướng trước (27) của bàn cửa. Dường cặp cạnh giờ đây có thể chuyển dịch về bất kỳ vị trí nào.
- Để siết chặt thanh cỡ hãy ấn tay kẹp (41) xuống dưới.

### Lắp thanh cỡ phụ (xem Hình f)

**Để cửa chi tiết gia công hẹp và cửa góc chéo thẳng đứng** bạn phải lắp thanh cỡ bổ sung (43) vào thanh cỡ (5).

Thanh cỡ phụ có thể được lắp bên trái hoặc bên phải ở thanh cỡ (5) tùy theo nhu cầu.

Sử dụng bộ vít định vị „Thanh cỡ phụ“ (44) để lắp (2 Vít cố định, 2 vòng đệm, 2 đai ốc tai hồng).

- Hãy đẩy vít cố định qua lỗ khoan bên ở thanh cỡ (5).
- Đầu các bu-lông được sử dụng như một vật dẫn hướng cho đường cặp cạnh phụ.
- Hãy đẩy thanh cỡ phụ (43) qua các đầu của vít cố định.
- Đặt vòng đệm lên vít định vị và siết chặt vít bằng đai ốc tai hồng.

**Lắp cỡ chặn góc (xem Hình g)**

- Hãy dẫn ray (45) của cỡ chặn góc (2) vào một trong các rãnh dẫn hướng cho sẵn (30) của bàn cửa.

**Lắp bắt cố định hay linh hoạt**

- ▶ **Để bảo đảm sự điều khiển được an toàn, máy phải được lắp bắt lên trên một bề mặt phẳng và vững chãi (vd. bàn thợ) trước khi sử dụng.**

**Lắp ráp trên bề mặt gia công (xem hình h)**

- Bắt chắc dụng cụ điện bằng loại vít lắp bắt thích hợp lên trên bề mặt gia công. Các lỗ khoan dùng cho mục đích này (8).

**Lắp ráp trên giá cửa Bosch (Xem Hình i)**

Với các chân có thể điều chỉnh được chiều cao, giá cửa Bosch (ví dụ **GTA 560**) tạo được sự vững chắc cho dụng cụ điện khi đặt trên bất kỳ bề mặt nào.

- ▶ **Hãy đọc mọi cảnh báo và hướng dẫn đính kèm giá cửa.** Không tuân thủ các cảnh báo an toàn và hướng dẫn có thể dẫn đến việc bị điện giật, cháy và/hoặc gây ra thương tích nghiêm trọng.
- ▶ **Lắp ráp giá cửa đúng cách trước khi gắn dụng cụ điện.** Sự lắp ráp hoàn hảo là quan trọng để ngăn ngừa nguy cơ bị sập.
- Gắn lắp dụng cụ điện lên giá cửa ở tư thế vận chuyển.

**Hút Dăm/Bụi**

Mạt bụi từ các vật liệu được sơn phủ ngoài có chứa chì trên một số loại gỗ, khoáng vật và kim loại có thể gây nguy hại đến sức khỏe con người. Dụng cụ chạm hay hít thở các bụi này có thể làm người sử dụng hay đứng gần bị dị ứng và/hoặc gây nhiễm trùng hệ hô hấp.

Một số hạt bụi cụ thể, ví dụ như bụi gỗ sợi hay dầu, được xem là chất gây ung thư, đặc biệt là có liên quan đến các chất phụ gia dùng xử lý gỗ (chất cromat, chất bảo quản gỗ). Có thể chỉ nên để thợ chuyên môn gia công các loại vật liệu có chứa amiăng.

- Cách xa ở mức có thể được, sử dụng hệ thống hút thích hợp cho loại vật liệu.
- Tạo không khí thông thoáng nơi làm việc.
- Khuyến nghị nên mang mặt nạ phòng độc có bộ lọc cấp P2.

Tuân thủ các qui định của quốc gia bạn liên quan đến loại vật liệu gia công.

- ▶ **Tránh không để rác tích tụ tại nơi làm việc.** Rác có thể dễ dàng bắt lửa.

Sự hút bụi/dăm có thể bị bụi, dăm hay các mảnh nhỏ của vật gia công làm cho tắc nghẽn lại.

- Tắt dụng cụ điện và tháo pin.
- Hãy chờ cho đến khi lưỡi cửa dừng hẳn.

- Xác định nguyên nhân làm tắc nghẽn và chỉnh sửa lại.

- ▶ **Để tránh nguy cơ cháy khi cửa nhôm, hãy trút sạch tấm che lưỡi cửa bên dưới và không sử dụng hút vô bào.**

**Vệ sinh tấm che lưỡi cửa bên dưới (xem Hình j)**

Để loại bỏ các mảnh gậy của phôi gia công và các vỏ bào lớn, bạn có thể mở tấm che lưỡi cửa bên dưới (46).

- Tắt dụng cụ điện và tháo pin ra khỏi dụng cụ điện.
- Hãy chờ cho đến khi lưỡi cửa dừng hẳn.
- Hãy nghiêng dụng cụ điện sang bên.
- Mở lưới sàn (33) (xem hình a).
- Tách nhẹ các lẫy (47) của tấm che lưỡi cửa bên dưới và gấp tấm che lưỡi cửa bên dưới lên (46).
- Tháo gỡ các mảnh vụn và dăm của vật gia công.
- Hãy gấp lại tấm che lưỡi cửa bên dưới (46) cho đến khi lẫy (47) khớp vào.
- Đóng lưới sàn (33).
- Đặt máy ở vào tư thế hoạt động.

**Hút bụi bên ngoài (xem Hình k)**

- Cắm chặt ống hút bụi phù hợp vào cút nối ống hút (31).

Máy hút bụi phù hợp dành cho loại vật liệu đang gia công.

Khi hút bụi khô loại đặc biệt gây nguy hại đến sức khỏe hoặc gây ra ung thư, hãy sử dụng máy hút bụi loại chuyên dụng.

**Thay lưỡi cửa (xem Hình l1–l4)**

- ▶ **Trước khi tiến hành bất cứ công việc gì với máy (ví dụ bảo dưỡng, thay dụng cụ v.v..) cũng như khi vận chuyển hay lưu kho, tháo pin ra khỏi dụng cụ điện.** Có nguy cơ gây thương tích khi vô tình làm kích hoạt công tắc Tắt/Mở.
- ▶ **Khi lắp ráp lưỡi cửa, hãy mang găng tay bảo hộ vào.** Việc này bao gồm nguy hiểm gây thương tích.
- ▶ **Chỉ sử dụng lưỡi cửa có tốc độ tối đa cho phép cao hơn tốc độ không tải của dụng cụ điện.**
- ▶ **Chỉ sử dụng lưỡi cửa phù hợp với các đặc tính kỹ thuật được ghi rõ trong các hướng dẫn sử dụng và trên dụng cụ điện và đã được thử nghiệm, và được đánh dấu đáp ứng tiêu chuẩn EN 847-1.**
- ▶ **Chỉ sử dụng lưỡi cửa do nhà sản xuất máy khuyến nghị, và thích hợp để cửa loại vật liệu được gia công cắt.**
- ▶ **Không được sử dụng lưỡi cửa bằng thép HSS.** Những loại lưỡi cửa như vậy có thể vỡ dễ dàng.

### Tháo Lưỡi Cưa

- Mở cần kẹp (39) và kéo nắp bảo vệ (3) khỏi rãnh trên dao tách lớp (4).
- Hãy vặn vít khóa (38) bằng đầu nhọn của chìa vặn vòng (9) cho đến cỡ chặn theo hướng xoay "Ổ khóa mở" và nhấn chi tiết gài bàn (25) ra khỏi trục dụng cụ. Lỗ kẹp dùng để nâng nhẹ (48).
- Hãy xoay tay quay (15) theo chiều kim đồng hồ cho đến cỡ chặn, để lưỡi cưa (26) nằm trong vị trí cao nhất có thể trên bàn cưa.
- Vặn đai ốc chặn (49) bằng chìa vặn vòng (9) và đồng thời kéo khóa hãm trục (50), cho đến khi khớp vào.
- Giữ cần khóa trục ở tư thế kéo và tháo đai ốc kẹp ra, vặn theo chiều ngược chiều kim đồng hồ.
- Tháo bích kẹp (51).
- Tháo lưỡi cưa (26).

### Lắp Lưỡi Cưa

- Nếu thấy cần, làm sạch tất cả các bộ phận sắp lắp vào trước khi ráp.
- Lắp lưỡi cưa mới vào lên trên mặt bích tiếp nhận (52) của trục máy (53).

**Hướng dẫn:** Không sử dụng lưỡi cưa quá nhỏ. Khe hở hướng tâm giữa lưỡi cưa và dao tách lớp chỉ được phép tối đa là 3 – 8 mm.

► **Khi lắp lưỡi cưa, hãy lưu ý rằng chiều cắt của răng (chiều của mũi tên trên lưỡi cưa) cùng chiều với chiều mũi tên trên dao tách lớp!**

- Đặt lên trên bích kẹp (51) và đai ốc chặn (49).
- Vặn đai ốc chặn (49) bằng chìa vặn vòng (9) và đồng thời kéo khóa hãm trục (50), cho đến khi khớp vào.
- Siết chặt đai ốc kẹp theo chiều kim đồng hồ.
- Hãy đặt chi tiết gài bàn (25) trên dao tách lớp (4) vào trục dụng cụ. Hãy vặn vít khóa (38) bằng đầu nhọn của chìa vặn vòng (9) cho đến cỡ chặn theo hướng xoay "Ổ khóa đóng".
- Lắp nắp bảo vệ (3) lại.

### Vận Hành

► **Trước khi tiến hành bất cứ công việc gì với máy (ví dụ bảo dưỡng, thay dụng cụ v.v..) cũng như khi vận chuyển hay lưu kho, tháo pin ra khỏi dụng cụ điện.** Có nguy cơ gây thương tích khi vô tình làm kích hoạt công tắc Tắt/Mở.

### Vị trí vận chuyển và làm việc của lưỡi cưa

#### Vị trí dùng chuyển vận

- Hãy tháo nắp bảo vệ (3), tháo chi tiết gài bàn (25) và định vị dao tách lớp (4) trong vị trí dưới. Đặt chi tiết gài bàn (25) lại.

- Hãy xoay tay quay (15) ngược chiều kim đồng hồ, đến khi răng của lưỡi cưa (26) ở bên dưới bàn cưa (23).
- Đẩy bàn cưa mở rộng (6) hết vào trong. Ấn tay kẹp (13) xuống dưới. Để cố định phần mở rộng của bàn cưa.

#### Vị Trí Làm Việc

- Định vị dao tách lớp (4) vào vị trí trên cùng qua phần giữa của lưỡi cưa, đặt chi tiết gài bàn (25) vào và lắp nắp bao vệ (3).
- Hãy xoay tay quay (15) theo chiều kim đồng hồ, đến khi răng trên của lưỡi cưa (26) ở bên trên phiá gia công khoảng 3 – 6 mm.

### Tăng Kích Thước của Bàn Cưa

Các chi tiết gia công dài và/hay nặng phải được kê đỡ ở phần đầu trống.

#### Phần mở rộng bàn cưa (xem Hình A)

Phần mở rộng bàn cưa (6) sẽ mở rộng bàn cưa (23) sang bên phải.

- Kéo tay kẹp (13) của phần mở rộng bàn cưa lên hoàn toàn.
- Kéo bàn cưa mở rộng (6) ra ngoài cho đến khi đạt được độ dài mong muốn.
- Ấn tay kẹp (13) xuống dưới. Để cố định phần mở rộng của bàn cưa.

### Điều chỉnh ngang và dọc góc vát ngang

Để bảo đảm đường cắt chính xác, sự điều chỉnh cơ bản của máy phải được kiểm tra và điều chỉnh lại như là việc cần thiết sau khi hoạt động cao độ.

#### Điều chỉnh góc vát dọc (lưỡi cưa) (xem hình B)

Góc xiên đứng có thể được điều chỉnh trong phạm vi từ 0° đến 45°.

- Nhả tay gạt siết (20) ngược chiều kim đồng hồ.

**Hướng dẫn:** Khi nhà hoàn toàn cần khóa, lưỡi cưa sẽ nghiêng vào một vị trí tương ứng khoảng 30° bằng trọng lực.

- Hãy kéo và ấn nút điều khiển (14) dọc theo ụ trượt, đến khi chỉ báo góc (21) chỉ rõ góc vát dọc mong muốn.

- Giữ nút điều khiển ở nguyên vị trí này và siết chặt cần khóa (20) lại như trước.

**Để điều chỉnh nhanh và chính xác góc tiêu chuẩn dọc 0° và 45°, phải có các cỡ chặn được điều chỉnh ((22), (18)).**

#### Điều chỉnh góc vát ngang (cỡ chặn góc) (xem hình C)

Có thể điều chỉnh góc vát ngang trong phạm vi từ 30° (bên trái) đến 30° (bên phải).

- Nới lỏng nút khóa (54) trong trường hợp đã được siết chặt.
- Xoay cỡ chặn góc, cho đến khi chỉ báo góc (55) chỉ rõ góc vát mong muốn.

- Siết chặt núm khóa (54) lại như trước.

### Điều chỉnh Dưỡng Cặp Cận

Thanh cữ (5) có thể được đặt ở bên trái (thước màu đen) hoặc bên phải (thước màu bạc) từ lưỡi cưa. Đánh dấu trong hiển thị thang đo (56) hiển thị khoảng cách được thiết lập của thanh cữ tới lưỡi cưa trên thước đo (1).

Hãy định vị thanh cữ sang phía mong muốn của lưỡi cưa (xem „Lắp thanh cữ (xem Hình e)“, Trang 154).

### Điều chỉnh thanh cữ khi bàn cưa không được kéo ra

- Nới lỏng quai kẹp (41) của thanh cữ (5). Di chuyển thanh cữ, đến khi đánh dấu trong hiển thị thang đo (56) hiển thị khoảng cách mong muốn đến lưỡi cưa.

Nhấn bên dưới của thước màu bạc được áp dụng khi bàn cưa không kéo ra (1).

- Để cố định hãy ấn tay kẹp (41) xuống dưới.

### Điều chỉnh thanh cữ

#### Khi bàn cưa được kéo ra (xem Hình D)

- Đặt dưỡng cặp cận lên bên phải của lưỡi cưa. Di chuyển thanh cữ, đến khi đánh dấu trong hiển thị thang đo (56) hiển thị 29 cm trên thước bên dưới.

Để cố định hãy ấn tay kẹp (41) xuống dưới.

- Kéo tay kẹp (13) của phần mở rộng bàn cưa lên hoàn toàn.

- Hãy kéo phần mở rộng bàn cưa (6) ra ngoài, đến khi kim chỉ khoảng hở (57) hiển thị khoảng cách mong muốn tới lưỡi cưa trên thước trên.

- Ấn tay kẹp (13) xuống dưới.

Để cố định phần mở rộng của bàn cưa.

### Điều chỉnh thanh cữ phụ (xem hình E)

Để cưa chi tiết gia công hẹp và cưa góc chéo thẳng đứng bạn phải lắp thanh cữ bổ sung (43) vào thanh cữ (5).

Thanh cữ phụ có thể được lắp bên trái hoặc bên phải ở thanh cữ (5) tùy theo nhu cầu.

Khi cưa vật liệu, các vật gia công này có thể bị kẹt giữa dưỡng cặp cận và lưỡi cưa, bị lưỡi cưa đang quay ghim vào, và bị đẩy văng ra khỏi máy.

Ví dụ, điều chỉnh dưỡng cặp cận phụ theo cách sao cho đầu dẫn của dưỡng được đặt giữa răng trước của lưỡi cưa và đầu cạnh của dao tách lớp.

- Muốn vậy, hãy nới lỏng tất cả đai ốc tai hồng của bộ vít định vị (44) và dịch chuyển thanh cữ phụ, đến khi chỉ còn hai vít trước dùng để cố định.
- Siết chặt các đai ốc tai chuẩn lại.

### Điều chỉnh Dao Tách Lớp

Dao tách lớp (4) ngăn không cho lưỡi cưa (26) bị kẹt vào vết rạch. Nếu không, có nguy cơ bị dội ngược và lưỡi cưa bị nêch chặt trong vật gia công.

Luôn luôn lưu ý rằng dao tách lớp đã được điều chỉnh đúng cách:

- Khe hở hướng tâm giữa lưỡi cưa và dao tách lớp chỉ được phép tối đa là 3 – 8 mm.
- Độ dày của dao tách lớp phải nhỏ hơn bề rộng cắt và lớn hơn bề dày của lưỡi.
- Dao tách lớp phải luôn luôn cùng nằm thẳng hàng với lưỡi cưa.
- Đối với sự cắt rời bình thường, dao tách lớp phải luôn luôn nằm ở vị trí cao nhất có thể được.

### Điều chỉnh chiều cao của dao tách lớp (xem Hình F)

Để cưa rãnh, phải điều chỉnh lại chiều cao của dao tách lớp.

#### ► Chỉ dùng dụng cụ điện để khía rãnh hoặc tạo nếp với thiết bị bảo vệ phù hợp (ví dụ nắp bảo vệ dạng hãm, vành chặn).

- Mở cần kẹp (39) và kéo nắp bảo vệ (3) khỏi rãnh trên dao tách lớp (4).

Để bảo vệ chấn bảo vệ lưỡi khỏi bị hư hỏng, hãy gắn vào giá đỡ cho sẵn (11) trên vỏ (xem Hình O2).

- Hãy xoay tay quay (15) theo chiều kim đồng hồ cho đến cữ chặn, để lưỡi cưa (26) nằm trong vị trí cao nhất có thể trên bàn cưa.

- Nới lỏng tay gạt siết (36) theo chiều kim đồng hồ, cho đến khi nó trở lên trên.

- Rút dao tách lớp khỏi các chân cắm (37) (Kéo cần kẹp (36) ra ngoài một chút) và đẩy dao tách lớp (4) xuống dưới cho đến cữ chặn.

- Hãy cho khớp cả hai chân cắm (37) vào các lỗ khoan trên ở dao tách lớp và siết chặt cần kẹp lại (36).

Các đánh dấu (35) trên kẹp và trên tay gạt siết (36) phải được căn chỉnh như hình minh họa.

### Bắt Đầu Vận Hành

#### Bật (xem Hình G1)

- Để vận hành hãy nhấn công tắc bật/tắt (16) ở cả hai bên và kéo lên trên.

#### Tắt (xem Hình G2)

- Bạn hãy ấn công tắc bật/tắt (16) xuống hết mức.

#### Bảo vệ khỏi điều khiển trái phép (xem Hình G3)

Để chống điều khiển trái phép, bạn có thể khóa công tắc bật/tắt (16) bằng cách sử dụng khóa móc.

- Đẩy một khóa móc với giá kẹp dài qua lỗ khoan trong công tắc bật/tắt (16) và khóa lại.

### Hướng Dẫn Sử Dụng

#### Các Hướng Dẫn Cưa Tổng Quát

- Đối với mọi kiểu cắt, đầu tiên phải bảo đảm rằng lưỡi cưa không bao giờ có thể chạm được vào cữ chặn hay các bộ phận khác của máy.

- ▶ **Chỉ dùng dụng cụ điện để khía rãnh hoặc tạo nếp với thiết bị bảo vệ phù hợp (ví dụ nắp bảo vệ dạng hãm, vành chặn).**

- ▶ **Không sử dụng dụng cụ điện để cắt rãnh (rãnh được hoàn thiện trên phôi gia công).**

Bảo vệ lưỡi cưa tránh bị va đập hay chạm mạnh. Không để lưỡi cưa phải chịu lực áp hông.

Dao tách lớp phải nằm thẳng hàng với lưỡi cưa để tránh bị kẹt chặt trong vật gia công.

Không được cưa vật gia công bị cong hay bị oằn. Vật gia công phải luôn luôn có cạnh thẳng, áp sát vào đường cấp cạnh.

Luôn luôn cất giữ/bảo quản cẩn đẩu cùng với dụng cụ điện.

#### Tư thế của người thao tác (xem Hình H)

- ▶ **Không được đứng song song với lưỡi cưa.**

**Luôn đặt cơ thể của bạn ở cùng một phía với lưỡi cưa như cũ chặn.** Lực phản hồi có thể đẩy phôi gia công ở tốc độ cao về phía bất cứ người nào đứng trước và song song với lưỡi cưa.

- Để tay, ngón tay và cánh tay tránh khỏi lưỡi cưa đang quay.

Tuân theo các hướng dẫn sau đây:

- Giữ vật gia công thật chắc chắn bằng cả hai tay và chắc tay áp đẩy vật gia công vào lưỡi cưa.
- Luôn sử dụng thanh đẩy giao kèm (12) và thanh cũ bổ sung (43) cho chi tiết gia công hẹp và để cưa góc chéo thẳng đứng.

#### Kích thước phôi gia công tối đa

Góc xiên nằm đứng	chiều cao tối đa của phôi gia công [mm]
0°	70
45°	50

### Cưa

#### Cưa Đường Thẳng

- Hãy điều chỉnh thanh cũ (5) thành chiều rộng cắt mong muốn.
- Hãy đặt phôi gia công lên bàn cưa trước nắp bảo vệ (3).
- Hãy nâng hoặc hạ lưỡi cưa bằng tay quay (15), đến khi răng trên của lưỡi cưa (26) ở bên trên phôi gia công khoảng 3–6 mm.
- Bật công tắc cho máy hoạt động.
- Cắt xuyên qua vật gia công với lực áp lên máy đồng đều.  
Nếu bạn ấn quá nhiều lần, các đầu lưỡi cưa có thể quá nhiệt và phôi gia công có thể bị hỏng.
- Tắt máy và đợi cho đến khi lưỡi cưa đã ngừng quay hoàn toàn.

#### Cưa Góc Xiên

- Điều chỉnh góc vát dọc mong muốn của lưỡi cưa. Khi lưỡi cưa nghiêng sang trái, thanh cũ (5) phải ở bên phải của lưỡi cưa.

- Hãy tuân theo các bước làm việc tương ứng: (xem „Cưa Đường Thẳng“, Trang 158)

#### Cưa góc vát ngang (xem Hình I)

- Điều chỉnh góc vát ngang mong muốn trên cũ chặn góc (2).
- Hãy đặt phôi gia công lên cũ chặn góc (2).
- Hãy nâng hoặc hạ lưỡi cưa bằng tay quay (15), đến khi răng trên của lưỡi cưa ở bên trên bề mặt phôi gia công khoảng 5 mm.
- Bật công tắc cho máy hoạt động.
- Hãy ấn phôi gia công bằng một tay vào cũ chặn góc và đẩy chậm ra trước vào rãnh dẫn hướng bằng tay kia trên núm khóa (54) (30).
- Tắt máy và đợi cho đến khi lưỡi cưa đã ngừng quay hoàn toàn.

#### Kiểm tra và điều chỉnh các thiết lập cơ bản

Để bảo đảm đường cắt chính xác, sự điều chỉnh cơ bản của máy phải được kiểm tra và điều chỉnh lại như là việc cần thiết sau khi hoạt động cao độ.

Việc này đòi hỏi phải có một mức độ kinh nghiệm nhất định và các dụng cụ chuyên môn thích hợp.

Trạm phục vụ hàng sau khi bán của Bosch sẽ xử lý việc bảo trì này một cách nhanh chóng và đáng tin cậy.

#### Điều chỉnh các cũ chặn của góc vát dọc tiêu chuẩn 0°/45°

- Đặt máy ở vào tư thế hoạt động.
- Chính một góc vát đứng 0° của lưỡi cưa.
- Tháo nắp bảo vệ (3) ra.

#### Kiểm tra (xem Hình J1)

- Tháo chi tiết gài bàn (25) (xem „Lắp chi tiết gài bàn (xem Hình c)“, Trang 154).
- Chính thước đo góc đến 90° và đặt nó lên bàn cưa (23).

Chân thước đo góc phải nằm ngang bằng với lưỡi cưa (26) dọc theo toàn bộ chiều dài.

#### Điều chỉnh (xem Hình J2)

- Hãy nhả vít (58). Do đó, cũ chặn 0° (22) có thể bị dịch chuyển.
- Nới lỏng cần khóa (20).
- Hãy đẩy núm điều khiển (14) vào cũ chặn 0°, cho đến khi chân của thước đo góc ngang bằng với lưỡi cưa dọc theo toàn bộ chiều dài.
- Giữ núm điều khiển ở nguyên vị trí này và siết chặt cần khóa (20) lại như trước.
- Siết chặt vít (58) lại.
- Lắp lại chi tiết gài bàn (25) (xem „Lắp chi tiết gài bàn (xem Hình c)“, Trang 154).

Nếu chỉ báo góc (21) không nằm thẳng với vạch 0° trên thước (19) sau khi điều chỉnh, hãy nới lỏng vít (59) bằng tuốc nơ vít đầu Phillips thông dụng và căn chỉnh chỉ báo góc dọc theo vạch 0°.

Hãy lặp lại các bước làm việc trên cho góc vít đúng 45° (Nới lỏng vít (60); Dịch chuyển cỡ chặn 45° (18)). Chỉ báo góc (21) không được phép chỉnh lại.

#### **Độ song song của lưỡi cưa với rãnh dẫn hướng của cỡ chặn góc (xem Hình K)**

- Đặt máy ở vào tư thế hoạt động.
- Tháo nắp bảo vệ (3) ra.

#### **Kiểm tra**

- Hãy đánh dấu răng cưa bên trái đầu tiên, mà có thể thấy rõ phía sau trên chi tiết gài bàn, bằng bút chì.
- Chỉnh thước góc đến 90° rồi đặt lên cạnh của rãnh dẫn hướng (30).
- Hãy dịch chuyển chân thước đo góc, đến khi nó chạm vào răng cưa đã đánh dấu, và hãy đọc khoảng cách giữa lưỡi cưa và rãnh dẫn hướng.
- Xoay lưỡi cưa, đến khi răng đã đánh dấu phía trước ở trên chi tiết gài bàn.
- Di chuyển thước chia độ dọc theo rãnh dẫn hướng đến răng cưa được đánh dấu.
- Đo khoảng hở giữa lưỡi cưa và rãnh dẫn hướng lại lần nữa.

Cả hai khoảng hở đo được phải giống như nhau.

#### **Điều chỉnh**

- Hãy nới lỏng vít lục giác chìm (61) phía trước bên dưới bàn cưa và vít lục giác chìm (62) phía sau bên dưới bàn cưa bằng chìa vặn lục giác kèm (10).
- Hãy di chuyển cẩn thận lưỡi cưa, cho đến khi nó song song với rãnh dẫn hướng (30).
- Siết chặt vít tất cả vít (61) và (62) lại lần nữa.

#### **Điều chỉnh kim chỉ khoảng hở của bàn cưa (xem hình L)**

- Đặt dưỡng cặp cạnh lên bên phải của lưỡi cưa. Di chuyển thanh cỡ, đến khi đánh dấu trong hiển thị thang đo (56) hiển thị 29 cm trên thước bên dưới.
- Để cố định hãy ấn tay kẹp (41) xuống dưới.
- Kéo tay kẹp (13) lên trên hoàn toàn và kéo phần mở rộng bàn cưa (6) ra ngoài cho đến cỡ chặn.

#### **Kiểm tra**

Kim chỉ khoảng hở (57) phải hiển thị giá trị giống nhau ở thước trên (1) như đánh dấu trong hiển thị thang đo (56) trên thước bên dưới. (1).

#### **Điều chỉnh**

- Kéo phần mở rộng bàn cưa (6) ra ngoài đến cỡ chặn.
- Nới lỏng ốc vít (63) bằng tước nơ vít đầu Phillips và căn chỉnh kim chỉ khoảng hở (57) dọc theo dấu 29 cm của thước trên (1).

#### **Điều chỉnh độ song song của thanh cỡ (xem hình M)**

- Đặt máy ở vào tư thế hoạt động.
- Tháo nắp bảo vệ (3) ra.

- Nới lỏng quai kẹp (41) của thanh cỡ và dịch chuyển nó, đến khi chạm vào lưỡi cưa.

#### **Kiểm tra**

Thanh cỡ (5) phải chạm vào lưỡi cưa trên toàn bộ chiều dài.

#### **Điều chỉnh**

- Bạn hãy nới lỏng vít lục giác chìm (64) bằng chìa vặn lục giác kèm theo dụng cụ (10).
- Hãy di chuyển cẩn thận thanh cỡ (5), đến khi nó chạm lưỡi cưa trên toàn bộ chiều dài.
- Giữ thanh cỡ ở nguyên vị trí này và ấn quai kẹp (41) xuống dưới một lần nữa.
- Siết chặt lại vít lục giác chìm (64).

#### **Điều Chỉnh Lực Căng của Dưỡng Cặp cạnh**

Lực kẹp của thanh cỡ (5) có thể giảm sau khi sử dụng thường xuyên.

- Hãy siết vít điều chỉnh (24) đến khi thanh cỡ có thể được cố định chặt trên bàn cưa.

#### **Điều chỉnh hiển thị thang đo của thanh cỡ (xem Hình M)**

- Đặt máy ở vào tư thế hoạt động.
- Tháo nắp bảo vệ (3) ra.
- Hãy dịch chuyển thanh cỡ (5) từ bên phải, đến khi chạm vào lưỡi cưa.

#### **Kiểm tra**

Đánh dấu hiển thị thang đo (56) phải ở trong một vạch có dấu 0 mm của thước đo (1).

#### **Điều chỉnh**

- Nới lỏng ốc vít (65) bằng tước nơ vít đầu Phillips và căn chỉnh đánh dấu dọc theo dấu 0 mm.

#### **Điều chỉnh chiều cao chi tiết gài bàn (xem hình N)**

#### **Kiểm tra**

Mặt trước của chi tiết gài bàn (25) phải nằm ngang bằng hoặc ở bên dưới bàn cưa một chút, mặt dưới phải nằm ngang bằng hoặc ở bên trên bàn cưa một chút.

#### **Điều chỉnh**

- Bằng đầu nhọn của chìa vặn vòng (9) hãy điều chỉnh chiều cao chính xác của các vít điều chỉnh (66).

### **Cất Giữ và Vận Chuyển**

#### **Bảo quản dụng cụ phụ trợ (xem Hình O1–O2)**

Với mục đích lưu giữ, một số dụng cụ phụ trợ cụ thể có thể cài chặt chắc chắn vào dụng cụ điện.

- Hãy nới lỏng thanh cỡ phụ (43) khỏi thanh cỡ (5).
- Hãy gắn tất cả bộ phận thiết bị lỏng lẻo vào vị trí cất giữ trên vỏ (xem Bảng sau đây).

#### **Dụng Cụ Phụ Trợ Vị Trí Cất Giữ**

Thanh cỡ (5)	xoay tròn, gắn vào ray dẫn hướng từ dưới và cố định chặt quai kẹp (41)
--------------	------------------------------------------------------------------------

Dụng Cụ Phụ Trợ	Vị Trí Cất Giữ
Cần đẩy (12)	cắm vào Depot (67)
Nắp bảo vệ (3)	hãy treo vào trong rãnh của giá đỡ (11) và siết chặt bằng cần kẹp (39)
Chìa vận lục giác (10)	cắm vào Depot (68)
Chìa vận vòng (9)	cắm vào Depot (69)
Cữ chặn góc (2)	cắm vào Depot (7)
Thanh cỡ phụ (43)	đẩy vào rãnh phía sau trên thanh cỡ (5) và siết chặt bằng bu lông tai hồng

### Xách Dụng Cụ Điện

► **Trước khi tiến hành bất cứ công việc gì với máy (ví dụ bảo dưỡng, thay dụng cụ v.v..) cũng như khi vận chuyển hay lưu kho, tháo pin ra khỏi dụng cụ điện.** Có nguy cơ gây thương tích khi vô tình làm kích hoạt công tắc Tắt/Mở.

Trước khi vận chuyển dụng cụ điện, phải tiến hành các bước như sau:

- Đưa dụng cụ điện vào vị trí vận chuyển (xem „Vị trí vận chuyển vận“, Trang 156).
- Nếu có thể, đặt những lưỡi cưa không được sử dụng tới vào trong một bao bì đóng gói để chuyển vận.  
Nếu có thể, đặt những lưỡi cưa không được sử dụng tới vào trong một bao bì đóng gói để chuyển vận.
- Đẩy bàn cưa mở rộng hết vào trong (6) và ấn quai kẹp (13) xuống dưới để cố định lại.
- Sử dụng các tay nắm để nâng hoặc vận chuyển (29).

► **Khi vận chuyển dụng cụ điện, chỉ sử dụng các thiết bị dùng vận chuyển và không bao giờ sử dụng thiết bị bảo vệ để mang hay xách.**

## Bảo Dưỡng và Bảo Quản

### Bảo Dưỡng Và Làm Sạch

- **Trước khi tiến hành bất cứ công việc gì với máy (ví dụ bảo dưỡng, thay dụng cụ v.v..) cũng như khi vận chuyển hay lưu kho, tháo pin ra khỏi dụng cụ điện.** Có nguy cơ gây thương tích khi vô tình làm kích hoạt công tắc Tắt/Mở.
- **Để được an toàn và máy hoạt động đúng chức năng, luôn luôn giữ máy và các khe thông gió được sạch.**

### Làm Sạch

Làm sạch bụi và dăm sau mỗi lần sử dụng máy bằng cách dùng hơi nén để thổi hay bằng cọ.

### Biện Pháp để làm Giảm Tiếng Ồn

Các biện pháp về phân nhà sản xuất:

- Khởi động Êm
  - Sự chuyển giao máy với lưỡi cưa được cải tiến một cách đặc biệt để làm giảm tiếng ồn
- Các biện pháp về phân người sử dụng:
- Lắp ráp có sự dao động ít trên bề mặt làm việc cứng chắc
  - Sử dụng lưỡi cưa có chức năng làm giảm tiếng ồn
  - Thường xuyên làm sạch lưỡi cưa và dụng cụ điện

### Dịch vụ hỗ trợ khách hàng và tư vấn sử dụng

Bộ phận phục vụ hàng sau khi bán của chúng tôi trả lời các câu hỏi liên quan đến việc bảo dưỡng và sửa chữa các sản phẩm cũng như phụ tùng thay thế của bạn. Sơ đồ mô tả và thông tin về phụ tùng thay thế cũng có thể tra cứu theo dưới đây:

#### www.bosch-pt.com

Đội ngũ tư vấn sử dụng của Bosch sẽ giúp bạn giải đáp các thắc mắc về sản phẩm và phụ kiện.

Trong tất cả các phản hồi và đơn đặt phụ tùng, xin vui lòng luôn luôn nhập số hàng hóa 10 chữ số theo nhân của hàng hóa.

#### Việt Nam

CN CÔNG TY TNHH BOSCH VIỆT NAM TẠI TP.HCM

Tầng 14, Ngõ Nhà Đức, 33 Lê Duẩn  
Phường Bến Nghé, Quận 1, Thành Phố Hồ Chí Minh

Tel.: (028) 6258 3690

Fax: (028) 6258 3692 - 6258 3694

Hotline: (028) 6250 8555

Email: tuvankhachhang-pt@vn.bosch.com

www.bosch-pt.com.vn

www.baohanhbosch-pt.com.vn

#### Xem thêm địa chỉ dịch vụ tại:

www.bosch-pt.com/serviceaddresses

### Vận chuyển

Pin Li-Ion được khuyến nghị là đối tượng phải tuân theo các qui định của Pháp Luật về Hàng Hóa Nguy Hiểm. Người sử dụng có thể vận chuyển pin hợp khối bằng đường bộ mà không cần thêm yêu cầu nào khác.

Khi được vận chuyển thông qua bên thứ ba (vd. vận chuyển bằng đường hàng không hay đại lý giao nhận), phải tuân theo các yêu cầu đặc biệt về đóng gói và dán nhãn. Phải tham vấn chuyên gia về hàng hóa nguy hiểm khi chuẩn bị gói hàng.

Chỉ gửi pin hợp khối khi vỏ ngoài không bị hư hỏng. Dán băng keo hay che kín các điểm tiếp xúc hở và đóng gói pin hợp khối theo cách sao cho pin không thể xô dịch khi nằm trong bao bì. Ngoài ra, xin vui



lòng chấp hành các quy định chi tiết có thể được bổ sung thêm của quốc gia.

### Sự thải bỏ



Dụng cụ điện, pin, phụ kiện và bao bì cần được tái sử dụng theo quy định về môi trường.



Bạn không được ném dụng cụ điện và pin vào thùng rác gia đình!

### Pin/ắc quy:

#### Li-ion:

Tuân thủ những hướng dẫn trong phần vận chuyển (xem „Vận chuyển“, Trang 160).

مخصص للاستعمال الخارجي من خطر الصدمات الكهربائية.

◀ **إن لم يكن بالإمكان تجنب تشغيل العدة الكهربائية في الأجواء الرطبة، فاستخدم مفتاح للوقاية من التيار المتخلف.** إن استخدام مفتاح للوقاية من التيار المتخلف يقلل خطر الصدمات الكهربائية.

#### أمان الأشخاص

◀ **كن يقظا وانتبه إلى ما تفعله واستخدم العدة الكهربائية بتعقل.** لا تستخدم عدة كهربائية عندما تكون متعبا أو عندما تكون تحت تأثير المخدرات أو الكحول أو الأدوية. عدم الانتباه للحظة واحدة عند استخدام العدة الكهربائية قد يؤدي إلى إصابات خطيرة.

◀ **قم لارتداء تجهيزات الحماية الشخصية.** وارتد دائما نظارات واقية. يحد ارتداء تجهيزات الحماية الشخصية، كقناع الوقاية من الغبار وأحذية الأمان الواقية من الانزلاق والوذو أو واقية الأذنين، حسب ظروف استعمال العدة الكهربائية، من خطر الإصابة بجروح.

◀ **تجنب التشغيل بشكل غير مقصود.** تأكد من كون العدة الكهربائية مطفاة قبل توصيلها بالتيار الكهربائي و/أو بالمركم، وقبل رفعها أو حملها. إن كنت تضع إصبعك على المفتاح أثناء حمل العدة الكهربائية أو إن وصلت الجهاز بالشبكة الكهربائية بينما لا مفتاح على وضع التشغيل، قد يؤدي إلى وقوع الحوادث.

◀ **انزع أداة الضبط أو مفتاح الربط قبل تشغيل العدة الكهربائية.** قد تؤدي الأداة أو المفتاح المتواجد في جزء دوار من الجهاز إلى الإصابة بجروح.

◀ **تجنب أوضاع الجسم غير الطبيعية.** قف بأمان وحافظ على توازنك دائما. سيسمح لك ذلك بالتمكك في الجهاز بشكل أفضل في المواقف الغير متوقعة.

◀ **قم بارتداء ثياب مناسبة.** لا ترتد الثياب الفضفاضة أو الحللى. احرص على إبقاء الشعر والملابس بعيدا عن الأجزاء المتحركة. قد تتشابك الثياب الفضفاضة والحلى والشعر الطويل بالأجزاء المتحركة.

◀ **إن جاز تركيب تجهيزات شفت وتجميع الغبار، فتأكد من أنها موصولة وبأنه يتم استخدامها بشكل سليم.** قد يقلل استخدام تجهيزات لشفت الغبار من المخاطر الناتجة عن الغبار.

◀ **لا تستخدم العدة الكهربائية بلا مبالاة وتجاهل قواعد الأمان الخاصة بها نتيجة لتعودك على استخدام العدة الكهربائية وكثرة استخدامها.** فقد يتسبب الاستخدام دون حرص في حدوث إصابة بالغة تحدث في أجزاء من الثانية.

◀ **استخدام العدد الكهربائية والعناية بها لا تفرط بتحميل الجهاز.** استخدم لتنفيذ أشغالك العدة الكهربائية المخصصة لذلك.

◀ **إنك تعمل بشكل أفضل وأكثر أمانا بواسطة العدة الكهربائية الملائمة في مجال الأداء المذكور.**

◀ **لا تستخدم العدة الكهربائية إن كان مفتاح تشغيلها تالف.** العدة الكهربائية التي لم يعد من

## عربي

### إرشادات الأمان

#### تحذيرات أمان عامة للعدد الكهربائية

⚠ **تحذير** **اطلع على كافة تحذيرات الأمان والتعليمات والصور والمواصفات المرفقة بالعدة الكهربائية.** عدم اتباع التعليمات الواردة أدناه قد يؤدي إلى حدوث صدمة كهربائية، إلى نشوب حريق و/أو الإصابة بجروح خطيرة.

**احتفظ بجميع الملاحظات التحذيرية والتعليمات للمستقبل.**

يقصد بمصطلح «العدة الكهربائية» المستخدم في الملاحظات التحذيرية، العدد الكهربائية الموصولة بالشبكة الكهربائية (بواسطة كابل الشبكة الكهربائية) وأيضا العدد الكهربائية المزودة بمركم (دون كابل الشبكة الكهربائية).

#### الأمان بمكان الشغل

◀ **حافظ على نظافة مكان شغلك وإضاءته بشكل جيد.** الفوضى في مكان الشغل ونطاقات العمل غير المضاء قد تؤدي إلى وقوع الحوادث.

◀ **لا تشغل بالعدة الكهربائية في نطاق معرض لخطر الانفجار مثل الأماكن التي تتوفر فيه السوائل أو الغازات أو الأبخرة القابلة للاشتعال.** العدد الكهربائية تولد شررا قد يتطاير، فيشعل الأبخرة والأبخرة.

◀ **حافظ على بقاء الأطفال وغيرهم من الأشخاص بعيدا عندما تستعمل العدة الكهربائية.** تشتت الانتباه قد يتسبب في فقدان السيطرة على الجهاز.

#### الأمان الكهربائي

◀ **يجب أن يتلائم قابس العدة الكهربائية مع المقبس.** لا يجوز تغيير القابس بأي حال من الأحوال. لا تستعمل القوايس المهائبة مع العدد الكهربائية المؤرزة (ذات طرف أرضي). تحقق القوايس التي لم يتم تغييرها والمقابس الملائمة من خطر الصدمات الكهربائية.

◀ **تجنب ملامسة جسمك للأسطح المؤرزة كالأنابيب والمبردات والمواقد أو التلجالات.** يزداد خطر الصدمات الكهربائية عندما يكون جسمك مؤرر أو موصل بالأرضي.

◀ **أبعد العدة الكهربائية عن الأمطار أو الرطوبة.** يزداد خطر الصدمات الكهربائية إن تسرب الماء إلى داخل العدة الكهربائية.

◀ **لا تسئ استعمال الكابل.** لا تستخدم الكابل في حمل العدة الكهربائية أو سحبها أو سحب القابس من المقبس. احرص على إبعاد الكابل عن الحرارة والزيت والحواف الحادة أو الأجزاء المتحركة. تزيد الكابلات التالفة أو المتشابكة من خطر الصدمات الكهربائية.

◀ **عند استخدام العدة الكهربائية خارج المنزل اقتصر على استخدام كابلات التمديد الصالحة للاستعمال الخارجي.** يقلل استعمال كابل تمديد

ذلك. قد يؤدي سائل المركم المتسرب إلى تهيج البشرة أو إلى الاحتراق.

- ◀ لا تستخدم عدة أو مركم تعرضاً لأضرار أو للتعديل. البطاريات المتعرضة لأضرار أو لتعديلات قد ينتج عنها أشياء لا يمكن التنبؤ بها، قد تسبب نشوب حريق أو حدوث انفجار أو إصابات.
- ◀ لا تعرض المركم أو العدة للهب أو لدرجة حرارة زائدة. التعرض للهب أو لدرجة حرارة أعلى من 130 °م قد يتسبب في انفجار.
- ◀ اتبع تعليمات الشحن ولا تقم بشحن المركم أو العدة خارج نطاق درجة الحرارة المحدد في التعليمات. الشحن بشكل غير صحيح أو في درجات حرارة خارج النطاق المحدد قد يعرض المركم لأضرار ويزيد من مخاطر الحريق.

#### الخدمة

- ◀ احرص على إصلاح عدتك الكهربائية فقط بواسطة العمال المتخصصين وباستعمال قطع الغيار الأصلية فقط. يضمن ذلك المحافظة على أمان الجهاز.
- ◀ لا تقم بإجراء أعمال خدمة على المراكم التالفة. أعمال الخدمة على المراكم يجب أن تقوم بها الجهة الصانعة فقط أو مقدم الخدمة المعتمد.

### تعليمات الأمان لمانشير الطاولة

#### التحذيرات المتعلقة بالحماية

- ◀ احتفظ بالواقيات في مكانها. يجب أن تكون الواقيات مرتبة بنظام العمل ومركبة بطريقة صحيحة. يجب إصلاح الواقية إذا كانت سائبة أو بها أضرار أو لا تعمل بشكل صحيح أو يجب تغييرها.
- ◀ احرص دائماً على استخدام واقية لنصل المنشار وإسفين شق عند إجراء عمليات قطع خلال الأجزاء. في عمليات القطع خلال الأجزاء، حيث يقوم نصل المنشار بالقطع خلال سمك قطعة العمل، تعمل الواقية أو أي تجهيزة أمان أخرى على تقليل خطر الإصابة.
- ◀ بعد إتمام القطع غير النافذ مثل الفرز أرفع إسفين الشق إلى الوضع الممتد. عندما يكون إسفين الشق في الوضع الممتد أعد تركيب واقية النصل. تعمل الواقية وإسفين الشق على تقليل خطر الإصابة.
- ◀ تأكد أن نصل المنشار لا يلامس الواقية أو إسفين الشق أو قطعة العمل وذلك قبل تشغيل المفتاح. التلامس غير المقصود لهذه الأجزاء مع نصل المنشار يمكن أن يتسبب في خطورة كبيرة.
- ◀ قم بضبط إسفين الشق كما هو موضح في دليل التعليمات هذا. خطأ المماذاة والوضعية ومسافات الضبط قد يقلل من فعالية إسفين الشق في تقليل إمكانية الصدمة الارتدادية.
- ◀ لكي يعمل إسفين الشق يجب أن يدخل في قطعة الشغل. يصعب إسفين الشق غير فعال عند نشر قطع العمل القصيرة لدرجة لا تسمح بدخول إسفين الشق فيها. في هذه الظروف لا يمكن لإسفين الشق منع حدوث صدمة ارتدادية.

- الممكن التحكم بها عن طريق مفتاح التشغيل والإطفاء تعتبر خطيرة ويجب أن يتم إصلاحها.
- ◀ اسحب القابس من المقبس و/أو اخلع المركم، إذا كان قابلاً للخلع، قبل ضبط الجهاز وقبل استبدال الملحقات أو قبل تخزين الجهاز. تمنع هذه الإجراءات وقائية تشغيل العدة الكهربائية بشكل غير مقصود.
- ◀ احتفظ بالعدد الكهربائية التي لا يتم استخدامها بعيداً عن متناول الأطفال. لا تسمح باستخدام العدة الكهربائية لمن لا خبرة له بها أو لمن لم يقرأ تلك التعليمات. العدد الكهربائي خطيرة إن تم استخدامها من قبل أشخاص دون خبرة.
- ◀ اعن بالعدة الكهربائية والملحقات بشكل جيد. تأكد أن أجزاء الجهاز المتحركة مركبة بشكل سليم وغير مستعصية عن الحركة، وتفحص ما إن كانت هناك أجزاء مكسورة أو في حالة تؤثر على سلامة أداء العدة الكهربائية. ينبغي إصلاح هذه الأجزاء التالفة قبل إعادة تشغيل الجهاز. الكثير من الحوادث مصدرها العدد الكهربائية التي تتم صيانتها بشكل رديء.
- ◀ احرص على إبقاء عدد القطع نظيفة وحادة. إن عدد القطع ذات حواف القطع المادة التي تم صيانتها بعناية تتكلم بشكل أقل ويمكن توجيهها بشكل أيسر.
- ◀ استخدم العدد الكهربائي والتوايح وريش الشغل إلخ. وفقاً لهذه التعليمات. تراعى أثناء ذلك ظروف الشغل والعمل المراد تنفيذه. استخدام العدد الكهربائي لغبر الأشغال المخصصة لأجلها قد يؤدي إلى حدوث المالات الخطيرة.
- ◀ احرص على إبقاء المقابض وأسطح المسك جافة ونظيفة وخالية من الزيوت والشحوم. المقابض وأسطح المسك الزلقة لا تتبع التشغيل والتحكم الأمان في العدة في المواقف غير المتوقعة.
- استخدام العدد المزودة بمركم والعناية بها
- ◀ اشحن المراكم فقط في أجهزة الشحن التي يُنصح باستخدامها من طرف المنتج. قد يتسبب جهاز الشحن المخصصة لنوع معين من المراكم في خطر الحريق إن تم استخدامه مع نوع آخر من المراكم.
- ◀ استخدم العدد الكهربائي فقط مع المراكم المصممة لهذا الغرض. قد يؤدي استخدام المراكم الأخرى إلى إصابات وإلى خطر نشوب المرائق.
- ◀ حافظ على إبعاد المركم الذي لا يتم استعماله عن مشابك الورق وقطع النقود المعدنية والمفاتيح والمسامير واللواكب أو غيرها من الأغراض المعدنية الصغيرة التي قد تقوم بتوصيل الملامسين ببعضهما البعض. قد يؤدي تقصير الدارة الكهربائية بين ملامسي المركم إلى الاحتراق أو إلى اندلاع النار.
- ◀ قد يتسرب السائل من المركم في حالة سوء الاستعمال. تجنب ملامسته. اشطفه بالماء في حال ملامسته بشكل غير مقصود. إن وصل السائل إلى العينين، فراجع الطبيب إضافة إلى

لقطع العمل الطويلة و/أو العريضة لتظل في نفس المستوى. تميل قطع العمل الطويلة/أو العريضة لأن تتركز على حافة الطاولة مما يسبب فقدان التحكم أو انحصار نصل المنشار أو الصدمة الارتدادية.

أدخل قطعة العمل بسرعة منتظمة. لا تقم بثني أو إدارة أو تحريك قطعة العمل من جانب لآخر. في حالة حدوث انحصار أو وقف الأداة على الفور واسحب قابس الأداة، ثم قم بإزالة سبب الانحصار. انحصار نصل المنشار بسبب قطعة العمل يمكن أن يتسبب في صدمة ارتدادية أو توقف المحرك.

لا تبعد أجزاء الخامة التي يتم قطعها بينما المنشار يعمل. فقد تنحصر الخامة بين الحاجز أو وافية نصل المنشار من الداخل ونصل المنشار مما يتسبب في جذب أصابعك نحو نصل المنشار. أو وقف المنشار وانتظر حتى يتوقف نصل المنشار قبل تحريك الخامة.

استخدم حاجز إضافي بالارتباط مع سطح الطاولة عند القطع المضلع لقطع عمل بسبك أقل من 2 مم. فقطعة العمل السمكية قد تمشح أسفل الحاجز المتوازي وتتسبب في صدمة ارتدادية.

#### أسباب الصدمة الارتدادية والتحذيرات المتعلقة بها

الصدمة الارتدادية هي رد فعل مفاجئ لقطعة العمل نتيجة لتعثر أو انحصار نصل المنشار أو مجازة خط القطع بشكل خاطئ بالنسبة لنصل المنشار أو عندما ينحصر جزء من قطعة الشغل بين نصل المنشار والحاجز المتوازي أو أجسام ثابتة أخرى.

يحدث كثيرا أثناء الصدمة الارتدادية أن يتم رفع قطعة العمل من الطاولة من خلال الجزء الخلفي لنصل المنشار وتدفع في اتجاه المشغل.

تعتبر الصدمة الارتدادية نتيجة للاستخدام الخاطئ للمنشار و/أو لخطوات تشغيل غير صحيحة أو لظروف غير ملائمة، ويمكن تجنبها عن طريق أخذ الاحتياطات المناسبة المبينة أدناه.

لا تقف أبدا على نفس خط نصل المنشار. اجعل جسمك دائما في نفس جانب الحاجز بالنسبة لنصل المنشار. قد تتسبب الصدمة الارتدادية في اندفاع قطعة العمل بسرعة كبيرة في اتجاه أي شخص يقف أمام نصل المنشار أو على خط واحد معه.

لا تمد يدك أبدا فوق نصل المنشار أو خلفه لجذب قطعة العمل أو سندها. فقد يحدث تلامس غير مقصود مع نصل المنشار أو قد تتسبب الصدمة الارتدادية في سحب أصابعك إلى نصل المنشار.

لا تمسك قطعة العمل الجاري قطعها أو تضغط عليها في اتجاه نصل المنشار الدائر. ضغط قطعة العمل الجاري قطعها على نصل المنشار قد يجعل الظروف مهينة للانحصار والصدمة الارتدادية.

قم بمحاذاة الحاجز حتى يصبح موازيا لنصل المنشار. عدم محاذاة الحاجز سيتسبب في انحصار قطعة العمل في نصل المنشار مما يؤدي إلى حدوث صدمة ارتدادية.

استخدم نصل منشار مناسب لإسفين الشق. لكي يعمل إسفين الشق بشكل سليم يجب أن يوافق قطر نصل المنشار إسفين الشق المناسب، كما يجب أن يكون جسم نصل المنشار أرفع من سمك إسفين الشق، ويجب أن يكون عرض القطع الخاص بنصل المنشار أعرض من سمك إسفين الشق.

#### تحذير خطوات القطع

⚠️ خطر: لا تضع أصابعك أو يدك بالقرب من نصل المنشار أو على نفس الخط معه. لحظة واحدة من عدم الانتباه أو عثرة قد توجه اليد إلى نصل المنشار مما يؤدي إلى أصابات خطيرة للأشخاص.

أدخل قطعة العمل إلى نصل المنشار فقط في عكس اتجاه الدوران. إدخال قطعة العمل في نفس اتجاه دوران نصل المنشار فوق الطاولة قد يتسبب في سحب قطعة العمل ويدك إلى نصل المنشار.

لا تستخدم مقياس القطع المشطوف في إدخال قطعة العمل عند القطع المضلع، ولا تستخدم الحاجز المتوازي كمصد للطول عند القطع العرضي باستخدام مقياس القطع المشطوف. توجيه قطعة العمل مع الحاجز المتوازي ومقياس لقطع المشطوف في نفس الوقت يزيد احتمالية انحصار نصل المنشار أو حدوث صدمة ارتدادية.

عند القطع المضلع احرص دائما أن تظل قطعة العمل ملامسة للمصد بشكل كامل، ووجه قوة إدخال قطعة العمل بين المصد ونصل المنشار. استخدم عصا ضاغطة عندما تكون المسافة بين المصد ونصل المنشار أقل من 150 مم، واستخدم كتلة ضاغطة عندما تكون المسافة أقل من 50 مم. «التجهيزات المساعدة على العمل» ستجعل يدك على مسافة آمنة من نصل المنشار.

اقتصِر على استخدام العصا الضاغطة التي وفرتها الجهة الصانعة أو المصممة بشكل مطابق لتعليماتها. تتبع هذه العصا الضاغطة مسافة كافية بين اليد ونصل المنشار.

لا تقم أبدا باستخدام عصا ضاغطة بها أضرار أو كسور. فقد تنكسر العصا الضاغطة إن كان بها أضرار أو كسور مما قد يؤدي إلى انزلاق يدك إلى نصل المنشار.

لا تقم بأي عمل «باليد الحرة». احرص دائما على استخدام حاجز متوازي أو مقياس قطع مشطوف لوضع قطعة العمل وتوجيهها. «اليد الحرة» تعني استخدام يديك في سند قطعة العمل وتوجيهها بدلا من الحاجز المتوازي أو مقياس القطع المشطوف. النشر باليد الحرة يؤدي إلى الخطأ في المحاذاة وإلى الانحصار وإلى الصدمة الارتدادية.

لا تمد يدك أبدا فوق نصل المنشار أو حوله أثناء دورانه. قد يؤدي مد يدك لأخذ قطعة العمل إلى التلامس غير المقصود مع نصل المنشار المتحرك.

احرص على توفير دعامة إضافية لقطعة العمل بالجزء الخلفي و/أو جوانب طاولة النشر

- ◀ يجب تأمين منشار الطاولة. منشار الطاولة غير المؤمن بشكل مناسب قد يتحرك أو ينقلب.
- ◀ قم بإزالة الأدوات ونشارة الخشب وما شابه من الطاولة قبل تشغيل منشار الطاولة. يمكن أن يتسبب الانحراف عن المسار أو الانحصار المحتمل في خطورة.
- ◀ احرص دائماً على استخدام أنصال ذات شكل ومقاس صحيحين (ماسي مقابل مستدير) للتجاويف الوسطى. أنصال المنشار غير المناسبة لأجزاء تركيب المنشار ستدور بشكل حائد عن المركز مما يتسبب في فقدان التحكم.
- ◀ لا تستخدم أبداً وسائل تركيب أنصال منشار بها أضرار أو غير صحيحة مثل الفلانشات أو وردات نصل التركيب هذه مصممة خصيصاً لمنشار لتشغيله بشكل آمن ولتحقيق أداء مثالي.
- ◀ لا تقف أبداً على منشار الطاولة ولا تستخدمه أبداً كدرجة صعود. قد تحدث إصابات خطيرة في حالة انقلاب الأداة أو إذا تم لمس أداة القطع بشكل غير مقصود.
- ◀ تأكد أن نصل المنشار مركب ليدور في الاتجاه الصحيح. لا تستخدم أقراص الجلع أو الفرشات السلكية أو الأقراص الكاشطة على منشار الطاولة. قد يتسبب التركيب غير الصحيح لنصل المنشار أو استخدام ملحقات غير موصى بها في حدوث إصابات بالغة.

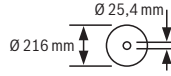
### إرشادات الأمان الإضافية

- ◀ ارتد قفازات واقية عند تركيب نصل المنشار. خطر التعرض للإصابة.
- ◀ لا تستخدم نصال المنشار المصنوعة من الفولاذ HSS. فنصال المنشار هذه قد تنكسر بسهولة.
- ◀ استخدم فقط أنصال المنشار التي توافق البيانات المذكورة في دليل الاستعمال هذا وعلى العدة الكهربائية، والتي تم اختبارها حسب المواصفة EN 847-1 والتي تم وضع علامة عليها تشير إلى ذلك.
- ◀ لا تستخدم العدة الكهربائية أبداً دون وليجة الطاولة. استبدل الوليجة الأتلفة للطاولة. قد تصاب بجروح من قبل نصل المنشار إن كانت وليجة الطاولة غير سليمة.
- ◀ حافظ على نظافة مكان العمل. كما أن اختلاط المواد بعضها ببعض أمر خطير جداً. حيث يمكن أن يشتعل غبار المعدن الخفيف أو ينفجر.
- ◀ اختر نصل المنشار المناسب للخامة التي تريد معالجتها.
- ◀ استعمل فقط أنصال المنشار التي ينصح باستعمالها منتج هذه العدة الكهربائية والتي تصلح للاستعمال مع خامات الشغل المرغوب معالجتها.
- ◀ ادفع قطعة الشغل على نصل المنشار الدائر. وإلا فقد يتشكل خطر صدمة ارتدادية إن تكلب نصل المنشار في قطعة الشغل.
- ◀ قد تنطلق أبخرة عند تلف المرمك واستخدامه بطريقة غير ملائمة. يمكن أن يحترق المرمك أو يتعرض للانفجار. أمن توفر الهواء النقي وراجع

- ◀ استخدم مشط ضاغط لتوجيه قطعة العمل إلى الطاولة والحاجز عند عمل قطوع غير نافذة مثل التفريز. يعمل المشط الضاغط على التحكم في قطعة العمل في حالة حدوث صدمة ارتدادية.
- ◀ احرص على سند الألواح الكبيرة لتقليل مخاطر تعثر نصل المنشار والصدمة الارتدادية. تميل الألواح الكبيرة للهبوط نتيجة لوزنها الكبير. يجب وضع سنادة (سنادات) أسفل أجزاء اللوح البارز من سطح الطاولة.
- ◀ تصرف بحرص شديد عن القيام بقطع قطعة عمل ملتوية أو معقودة أو منحنية أو حافظها ليست مستقيمة فلا يمكن توجيهها باستخدام مقياس القطع المشطوف أو الحاجز المتوازي. قطعة العمل الملتوية أو المعقودة أو المنحنية تكون غير مستقرة وقد تتسبب في عدم محاذاة الشق مع نصل المنشار، وفي الانحصار والصدمة الارتدادية.
- ◀ لا تقم أبداً بقطع أكثر من قطعة عمل واحدة سواء كانت متراسة أفقياً أو رأسياً. فقد ينشك نصل المنشار في قطعة أو أكثر ويتسبب في صدمة ارتدادية.
- ◀ في حالة إعادة تشغيل المنشار بينما نصل المنشار داخل قطعة العمل احرص على مركزة النصل في الشق بحيث تكون أسنان المنشار غير داخلية في الخامة. في حالة تعرض النصل للإعاقة فقد يرفع قطعة العمل ويسبب صدمة ارتدادية عند إعادة تشغيل النصل.
- ◀ حافظ على نظافة وحدة أنصال المنشار، وعلى ضبطها بشكل كاف. لا تستخدم أبداً أنصال منشار منحنية أو أنصال منشار بأسنان مشقوقة أو مكسورة. أنصال المنشار الحادة والمضبوطة بشكل صحيح تقلل فرص التعثر والتوقف والتعرض لصددمات ارتدادية.
- تحذيرات خطوات تشغيل منشار الطاولة
- ◀ أوقف منشار الطاولة وافصل كابل الكهرباء عند خلع وليجة الطاولة أو تغيير نصل المنشار أو إجراء عمليات ضبط على إسفين الشق أو واقية نصل المنشار أو عند ترك الماكينة دون مراقبة. ستجنبك الإجراءات الوقائية خطر وقوع حوادث.
- ◀ لا تترك أبداً منشار الطاولة يعمل دون مراقبة. أوقفه ولا تترك الأداة أبداً إلا بعد أن تتوقف تماماً. المنشار المشغل دون مراقبة يمثل خطراً خارج عن السيطرة.
- ◀ ضع منشار الطاولة في مكان مستو وجيد الإضاءة، بحيث يتم ضمان وجود قاعدة متزنة. يجب أن يتم نصب المنشار في مكان مساحته كافية للتعامل مع مقاسات قطع العمل الخاصة بك. تتسبب المساحات الضيقة والمظلمة ذات الأرضيات الزلقة وغير المستوية في وقوع الحوادث.
- ◀ احرص على تنظيف منشار الطاولة و/أو جهاز جمع الغبار وإزالة غبار النشر من أسفلهما بشكل دوري. غبار النشر المتراكم قابل للاحتراق وقد يشتعل ذاتياً.

## الرموز ومعناها

قطع التصغير الموردة مع شفرة المنشار.

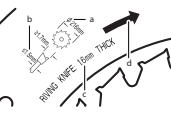


يجب أن يطابق قطر شفرة المنشار الرقم الموجود على الرمز.

**a** يجب ألا يتجاوز قطر شفرة المنشار 216 مم.

**3 601 M44 000**  
**3 601 M44 0K0**  
**3 601 M44 040**

**b** يراعى أثناء تغيير شفرة المنشار ألا يكون عرض القطع أصغر من 1,7 مم وألا يكون سمك النصل الفولاذي أكبر من 1,5 مم. وإلا فقد ينشأ خطر تكلب إسفين الشق في قطعة الشغل.



**c** يبلغ سمك إسفين الشق 1,6 مم.

**d** يجب أن يتوافق اتجاه قطع الأسنان (اتجاه السهم موضع على شفرة المنشار) مع اتجاه السهم على إسفين الشق.

**a** يجب ألا يتجاوز قطر شفرة المنشار 216 مم.

**3 601 M44 0B0**

**b** يراعى أثناء تغيير شفرة المنشار ألا يكون عرض القطع أصغر من 2,3 مم وألا يكون سمك النصل الفولاذي أكبر من 2,1 مم. وإلا فقد ينشأ خطر تكلب إسفين الشق في قطعة الشغل.



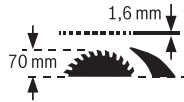
**c** يبلغ سمك إسفين الشق 2,2 مم.

**d** يجب أن يتوافق اتجاه قطع الأسنان (اتجاه السهم موضع على شفرة المنشار) مع اتجاه السهم على إسفين الشق.

يبلغ سمك إسفين الشق 1,6 مم.

**3 601 M44 000**  
**3 601 M44 0K0**  
**3 601 M44 040**

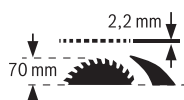
يبلغ أقصى ارتفاع ممكن لقطعة الشغل 70 مم.



يبلغ سمك إسفين الشق 2,2 مم.

**3 601 M44 0B0**

يبلغ أقصى ارتفاع ممكن لقطعة الشغل 70 مم.



الطبيب إن شعرت بشكوى. قد تهيج هذه الأبخرة المجاري التنفسية.

⚠ لا تفتح المرمك. يتشكل خطر تقصير الدائرة الكهربائية.

⚠ يمكن أن يتعرض المرمك لأضرار من خلال الأشياء المدببة مثل المسامير والمفكات أو من خلال تأثير القوى الخارجية. وقد يؤدي هذا إلى تقصير الدائرة الكهربائية الداخلية واحترق المرمك أو خروج الأدخنة منه أو انفجاره وتعرضه لسخونة مفرطة.

⚠ اقتصر على استخدام المرمك في منتجات الجهة الصانعة. يتم حماية المرمك من فرط التخميل الخطير بهذه الطريقة فقط دون غيرها.

احرص على حماية المرمك من الحرارة، بما ذلك التعرض لأشعة الشمس باستمرار ومن النار والاتساخ والماء والرطوبة. حيث ينشأ خطر الانفجار وخطر حدوث دائرة قصر.



## الرموز

قد تكون الرموز التالية ذات أهمية من أجل استعمال عدتك الكهربائية. يرجى حفظ الرموز ومعناها. يساعدك تفسير الرموز بشكل صحيح على استعمال عدتك الكهربائية بطريقة أفضل وأكثر أماناً.

## الرموز ومعناها

لا تقترب بيدك من نطاق النشر أثناء عمل العدة الكهربائية. قد تحدث إصابات عند ملامسة شفرة المنشار.



قم بارتداء قناع للوقاية من الغبار.



قم بارتداء واقية سمع. قد يؤدي تأثير الضجيج إلى فقدان قدرة السمع.

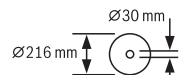


قم بارتداء نظارات واقية.



تراعى مقاسات شفرة المنشار. يجب أن يتلاءم قطر الثقب مع محور دوران العدة دون وجود نسبة تفاوت. إذا كان من الضروري استخدام قطع التصغير احرص على أن تلائم أبعاد قطعة التصغير سمك الشفرة الفولاذية وقطر الثقب الخاص بشفرة المنشار بالإضافة لقطر محور دوران العدة. استخدم قدر الإمكان

**3 601 M44 000**  
**3 601 M44 0K0**  
**3 601 M44 040**

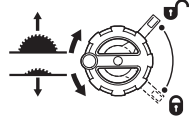


**3 601 M44 0B0**

## الرموز ومعناها

## الجانب الأيسر:

يشير إلى اتجاه دوران ذراع التدوير لإنزال شفرة المنشار (وضع النقل) ورفعه (وضع العمل).



## الجانب الأيمن:

يشير إلى وضع ذراع التثبيت لتثبيت شفرة المنشار وعند ضبط زاوية الشطب العمودية (شفرة المنشار قابلة للتأرجع).

من خلال العلامة CE تؤكد الجهة الصانعة أن العدة الكهربائية مطابقة لمواصفات الاتحاد الأوروبي.



## وصف المنتج والأداء

## اقرأ جميع إرشادات الأمان

والتعليمات. ارتكاب الأخطاء عند تطبيق إرشادات الأمان والتعليمات، قد يؤدي إلى حدوث صدمات كهربائية أو إلى نشوب الحرائق و/أو الإصابة بجروح خطيرة.



يرجى الرجوع إلى الصور الموجودة في الجزء الأول من دليل التشغيل.

## الاستعمال المطابق للتعليمات

لقد خصصت العدة الكهربائية كجهاز مركزي ثابت لتنفيذ القطوع الطولية والعرضية بمسار قطع مستقيم في الخشب الصلب والطري وأيضاً في ألواح الخشب المضغوط وألياف الخشب. حيث يمكن تنفيذ زوايا شطب أفقية من -30° حتى +30° وزوايا شطب رأسية من 0° حتى 45°.

عند استخدام شفرات المنشار الملائمة يمكن نشر قطاعات الألمنيوم واللدائن.

## الأجزاء المصورة

يشير ترقيم الأجزاء المصورة إلى الصورة المعروضة للعدة الكهربائية في صفحة الرسوم.

- (1) تدريج لبعد شفرة المنشار عن مصدر التوازي
- (2) المصدر الزاوي
- (3) الغطاء الواقي
- (4) إسفين الشق
- (5) مصدر التوازي
- (6) تعريض قاعدة المنشار
- (7) موضع حفظ المصدر الزاوي
- (8) تجاوز التركيب
- (9) المفتاح الطلق (23 مم، 13 مم)
- (10) مفتاح سداسي الرأس المجوف (5 مم)
- (11) حامل لتخزين الغطاء الواقي
- (12) عصا دفع
- (13) مقبض شد تعريض قاعدة المنشار

- (14) عجلة يدوية
- (15) مرفق تدوير لرفع وتنزيل شفرة المنشار
- (16) مفتاح التشغيل والإطفاء
- (17) المرمك<sup>a</sup>
- (18) مصدر زاوية الشطب المائلة 45° (عمودياً)
- (19) تدريج زوايا الشطب (عمودياً)
- (20) ذراع تثبيت لضبط زوايا الشطب العمودية
- (21) مؤشر الزاوية (الرأسية)
- (22) مصدر زاوية الشطب المائلة 0° (عمودياً)
- (23) قاعدة المنشار
- (24) لولب ضبط قوة شد مصدر التوازي
- (25) وليجة المنضدة
- (26) شفرة المنشار
- (27) حز دليلي لمصدر التوازي
- (28) زر فك إقفال المرمك<sup>a</sup>
- (29) مقبض حمل
- (30) حز دليلي للمصدر الزاوي
- (31) مهايئ الشفط
- (32) دليلي بشكل V بقاعدة المنشار لمصدر التوازي
- (33) شبكة الأرضية
- (34) لولب تثبيت شبكة الأرضية
- (35) علامات ذراع القمط/المشيك
- (36) ذراع زنق إسفين الشق
- (37) سيقان تحديد الموضع لإسفين الشق
- (38) لولب تثبيت وليجة المنضدة
- (39) ذراع زنق الغطاء الواقي
- (40) المسمار الدليلي للغطاء الواقي
- (41) مقبض قمط مصدر التوازي
- (42) دليل بشكل V بمصدر التوازي
- (43) مصدر توازي إضافي
- (44) طقم تثبيت «مصدر التوازي الإضافي»
- (45) سكة توجيه المصدر الزاوي
- (46) الغطاء السفلي لشفرة المنشار
- (47) طرف الغطاء السفلي لشفرة المنشار
- (48) ثقب مسك لرفع وليجة المنضدة
- (49) صامولة الشد
- (50) ذراع تثبيت محور الدوران
- (51) شفة الشد
- (52) فلانشة التثبيت
- (53) محور دوران العدة
- (54) مقبض تثبيت لزوايا الشطب المرغوبة (أفقياً)
- (55) مؤشر الزاوية على المصدر الزاوي
- (56) بيان التدريج
- (57) مؤشر بعد قاعدة المنشار
- (58) لولب متصالب الحز لضبط المصدر 0°
- (59) لولب مؤشر الزاوية (عمودياً)
- (60) لولب متصالب الحز لضبط المصدر 45°

- (61) لولب سداسية الرأس (5 مم) أماما لضبط  
توازي شفرة المنشار
- (62) لولب سداسية الرأس (5 مم) خلفا لضبط  
توازي شفرة المنشار
- (63) لولب لمؤشر بعد قاعدة المنشار
- (64) لولب سداسية الرأس (5 مم) لضبط توازي  
مصد التوازي
- (65) لولب لمؤشر بعد مصد التوازي
- (66) لولب ضبط وليجة المنضدة
- (67) موضع حفظ عصا الدفع
- (68) موضع حفظ المفتاح سداسي الرأس المجوف
- (69) موضع حفظ المفتاح الملقي
- (a) لا يتضمن إطار التوريد الاعتيادي التوازي المصورة  
أو المشروحة. تجد التوازي الكاملة في برنامجنا  
للتوازي.

## البيانات الفنية

منشار منضدة دائري		GTS 18V-216	
رقم الصنف	3 601 M44 000 3 601 M44 040 3 601 M44 0K0	3 601 M44 0B0	GTS 18V-216
ال جهد الاسمي	فلط=	18	18
عدد اللفات اللاحمي <sup>(A)</sup>	دقيقة <sup>1</sup>	4500	4500
محدد تيار بدء التشغيل		●	●
الوزن حسب (EPTA-Procedure 01:2014) <sup>(B)</sup>	كجم	20,5-21,6	20,5-21,6
درجة الحرارة المحيطة الموصى بها عند الشحن	°م	35+...0	35+...0
درجة الحرارة المحيطة المسموح بها عند التشغيل <sup>(C)</sup> وعند التخزين	°م	50+...20-	50+...20-
المراكم المتوافقة		GBA 18V... ...ProCORE18V	GBA 18V... ...ProCORE18V
المراكم الموصى بها للقدرة الكاملة		...ProCORE18V ≤ 5,5 أمبير ساعة	...ProCORE18V ≤ 5,5 أمبير ساعة
أجهزة الشحن الموصى بها		GAL 18... GAX 18... ...GAL 36	GAL 18... GAX 18... ...GAL 36
الأبعاد (شاملة عناصر الجهاز القابلة للفك)			
العرض x العمق x الارتفاع	مم	553 x 332 x 658	553 x 332 x 658
مقاسات شفرات المنشار الملائمة			
قطر شفرة المنشار	مم	216	216
سمك الشفرة	مم	2,1-1,5	1,5>
سمك/تفليج الأسنان الأدنى	مم	2,3<	1,7<
قطر الفجوة	مم	25,4	30

(A) مقاسة عند درجة حرارة 20-25 °م مع مركم ProCORE18V 12.0Ah  
(B) حسب المركم المستخدم

(C) قدرة محدودة في درجات الحرارة > 0 °م

أقصى مقاسات قطعة الشغل: (انظر „أقصى مقاسات قطعة الشغل“، الصفحة 174)

قد تختلف القيم حسب المنتج وظروف الاستخدام والبيئة. المزيد من المعلومات على موقع الإنترنت [www.bosch-professional.com/wac](http://www.bosch-professional.com/wac).

غيرها هي المتوائمة مع مركم أيونات الليثيوم  
المستخدم في عدتك الكهربائية.

**ملحوظة:** يتم تسليم مراكم أيونات الليثيوم مشحونة  
جزئيًا وفقًا للوائح النقل الدولية. لضمان قدرة أداء  
المركم الكاملة، يتوجب شحن المركم بشكل كامل  
قبل الاستعمال لأول مرة.

### تركيب المركم

أدخل المركم المشحون في موضع تثبيت المركم إلى  
أن يثبت بشكل ملموس.

### مركم

تبيع شركة Bosch العدد الكهربائي العاملة بمركم  
دون مركم أيضًا. يمكنك أن تعرف من العبوة ما إذا  
كان المركم موجود ضمن مجموعة التجهيزات  
الموردة مع العدة الكهربائي الخاصة بك.

### شحن المركم

◀ اقتصر على استخدام أجهزة الشحن المذكورة  
في المواصفات الفنية. أجهزة الشحن هذه دون



نظف فتحات التهوية بالمركم من فترة لآخرى، بواسطة فرشاة طرية ونظيفة وجافة. إذا انخفضت فترة التشغيل بعد الشحن بدرجة كبيرة فهذا يعني أن المركم قد استهلك وأنه يجب استبداله. تراعى الإرشادات عند التخلص من العدد.

تتصح Bosch باستخدام مراكم ذات قدرة لا تقل عن 3,0 أمبير ساعة.



## نزع المركم

لخلع المركم اضغط على زر تحرير المركم وأخرج المركم. لا تستخدم القوة أثناء ذلك. يمتاز المركم بدرجتي إقفال اثنتين، تمنعان سقوط المركم للخارج في حال ضغط زر فك إقفال المركم بشكل غير مقصود. يتم تثبيت المركم بواسطة نابض ما دام مركبًا في العدة الكهربائية.

## مبين حالة شحن المركم

تشير مصابيح الدابود الخضراء الخاصة بمبين حالة شحن المركم لحالة شحن المركم. لأسباب تتعلق بالسلامة فإنه لا يمكن الاستعلام عن حالة الشحن إلا والعدة الكهربائية متوقفة. اضغط على زر مبين حالة الشحن (⊕) أو (⊖) لعرض حالة الشحن. يمكن هذا أيضا والمركم مخرج. إذا لم يضيء أي مصباح دابود بعد الضغط على زر مبين حالة الشحن، فهذا يعني أن المركم تالف ويجب تغييره.

## نوع المركم GBA 18V...



السعة	لمبة LED
100-60 %	ضوء مستمر ×3 أخضر
60-30 %	ضوء مستمر ×2 أخضر
30-5 %	ضوء مستمر ×1 أخضر
5-0 %	ضوء وماض ×1 أخضر

## نوع المركم ProCORE18V...



السعة	لمبة LED
100-80 %	ضوء مستمر ×5 أخضر
80-60 %	ضوء مستمر ×4 أخضر
60-40 %	ضوء مستمر ×3 أخضر
40-20 %	ضوء مستمر ×2 أخضر
20-5 %	ضوء مستمر ×1 أخضر
5-0 %	ضوء وماض ×1 أخضر

## ملاحظات للتعامل مع المركم بطريقة مثالية

قم بحماية المركم من الرطوبة والماء. لا تقم بتخزين المركم إلا في نطاق درجة حرارة يقع بين 20-°م وحتى 50°م. لا تترك المركم في السيارة في فصل الصيف مثلاً.

## التركيب

◀ انزع المركم عن العدة الكهربائية قبل إجراء أي أعمال بالعدة الكهربائية (مثلاً: الصيانة، استبدال العدد وإلخ..). وأيضاً عند نقلها أو تخزينها. هناك خطر إصابة بجرع عند الضغط على مفتاح التشغيل والإطفاء بشكل غير مقصود.

## مجموعة التجهيزات الموردة

تأكد قبل تشغيل العدة الكهربائية للمرة الأولى، إنه قد تم توريد جميع الأجزاء المذكورة أدناه:

- المنشار الدائري الثابت مع شفرة منشار مركبة (26) وإسفين الشق (4)
- المصد الزاوي (2)
- مصد التوازي (5)
- مصد توازي إضافي (43)
- طقم تثبيت «مصد التوازي الإضافي» (44) (لوالبا تثبيت، فلكتان، صامولتان مجنعتان)
- الغطاء الواقي (3)
- مفتاح سداسي الرأس المجوف (10)
- مفتاح حلقي (9) مع رأس مفك براغي مشقوقة المز
- عصا الدفع (12)
- وليجة المنضدة (25)

**ملاحظة** افحص العدة الكهربائية من حيث وجود أي أضرار محتملة. يجب فحص تجهيزات الوقاية أو الأجزاء التي تعرضت لضرر طفيف فحماً دقيقاً، للتأكد من أدائها لوظيفتها بشكل سليم وفقاً للتعليمات. تأكد من أن الأجزاء المتحركة تعمل بشكل سليم وأنها غير منقطة، أو إن كانت هناك أية أجزاء تالفة. يجب أن تكون جميع الأجزاء مركبة بشكل صحيح وأن تلي جميع الشروط من أجل ضمان العمل بشكل سليم. يجب أن يتم تصليح أو استبدال تجهيزات الوقاية والقطع التالفة بالشكل المطلوب من خلال ورشة خدمة متخصصة.

## العدد الكهربائية المطلوبة إضافة عن العدد المرفقة بمجموعة التجهيزات الموردة:

- مفك براغي متصالبة المز
- مقياس زاوي ضابط

## تركيب الأجزاء المفردة

- انزع جميع الأجزاء المرفقة عن التغليف بحرص.
- انزع كل مواد التغليف عن العدة الكهربائية وعن التوابع المرفقة.
- أدر لوالب التثبيت (34) باستخدام رأس المفتاح الحلقي (9) حتى النهاية في اتجاه الدوران «القفل»

- اضغط ذراع الزنق (39) نمو الأسفل. ينبغي أن يتم تثبيت ذراع الزنق بصوت مسموع ويمكن الإحساس به، كما ينبغي أن يكون غطاء الحماية (3) قد تم تركيبه وبشكل محكم وآمن.

◀ **تأكد قبل كل استخدام من قدرة غطاء الحماية على التحرك بشكل سليم. لا تستخدم العدة الكهربائية إذا كان غطاء الحماية غير حر الحركة ولا يتغلق على الفور.**

#### تركيب مصد التوازي (انظر الصورة e)

- يمكن تركيب مصد التوازي (5) إما على يمين أو يسار شفرة المنشار.

- قم بفك مقبض الشد (41) الخاص بمصد التوازي (5). يخفف ذلك التخميل عن الدليل بشكل V (42).

- قم أولاً بتركيب مصد التوازي مع الدليل بشكل V في المز الدليلي (32) بقاعدة المنشار. ركز مصد التوازي بعد ذلك في المز الدليلي الأمامي (27) بقاعدة المنشار.

- يمكنك الآن تحريك مصد التوازي كما تشاء.

- لتثبيت مصد التوازي اضغط مقبض القمط (41) نحو الأسفل.

#### تركيب مصد التوازي الإضافي (انظر الصورة f)

**لنشر قطع الشغل الرفيعة ولنشر زوايا شطب رأسية** ينبغي تركيب مصد التوازي الإضافي (43) على مصد التوازي (5).

- يمكن تركيب مصد التوازي الإضافي حسب الحاجة على يمين أو يسار مصد التوازي (5).

- استخدم طقم تثبيت "مصد التوازي الإضافي" من أجل التركيب (44) (لولبي تثبيت، فلكتين، صامولتين مجنحتين).

- ادفع لولب التثبيت عبر الثقوب الجانبية بمصد التوازي (5).

- تعمل رؤوس اللولب بذلك عمل الدليل لمصد التوازي الإضافي.

- ادفع مصد التوازي الإضافي (43) فوق رؤوس لولب التثبيت.

- ضع الفلك على لولب التثبيت وقم بإحكام ربط اللولب بواسطة الصواميل المجنحة.

#### تركيب المصد الزاوي (انظر الصورة g)

- أدخل القضيب (45) الخاص بالمصد الزاوي (2) في أحد الحوز الدليلية المخصصة (30) بقاعدة المنشار.

#### التركيب المركزي الثابت أو المتحرك

◀ **يجب أن يتم تركيب العدة الكهربائية على سطح عمل مستو وثابت (منضدة عمل مثلاً) قبل البدء بالعمل لضمان الأمان.**

#### التركيب على سطح عمل (انظر الصورة h)

- ثبت العدة الكهربائية على سطح العمل بواسطة لولب ربط مناسبة. يتم ذلك عن طريق الثقوب (8).

مفتوح» وافتح شبكة الأرضية (33) (انظر الصورة a).

انزع مواد التغليف تحت كتلة الممرك.

توجد عناصر الجهاز التالية مثبتة على جسم الجهاز مباشرة: عصا الدفع (12)، المفتاح الملقي (9)، مفتاح سداسي الرأس المجوف (10)، مصد التوازي (5)، المصد الزاوي (2)، مهائئ الشفط (31)، مصد توازي إضافي (43) مع طقم التثبيت (44)، الغطاء الواقي (3).

- عندما تحتاج أحد هذه العناصر أخرجها بحرص من موضع حفظها.

#### تحديد موضع إسفين الشق (انظر الصور b1-b2)

**إرشاد:** قم بتنظيف جميع الأجزاء المطلوب تركيبها قبل تحديد موضعها عند الضرورة.

- أدر ذراع التدوير (15) في اتجاه حركة عقارب الساعة حتى النهاية، بحيث يتركز نصل المنشار (26) بأعلى وضعية ممكنة فوق قاعدة المنشار.

- قم بفك ذراع القمط (36) بإدارته في اتجاه عقارب الساعة إلى أن يشير إلى أعلى.

- حرك إسفين الشق (4) في اتجاه ذراع الزنق (36)، حتى يمكن سحبه إلى أعلى.

- اسحب إسفين الشق إلى أعلى، بحيث يكون موضعه أعلى منتصف شفرة المنشار بالضبط.

- ركب الساقين (37) في الفتحات السفلية بإسفين الشق، وأحكام ربط ذراع الزنق (36) مرة أخرى.

- يجب أن تكون العلامات (35) الموجودة على المشبك وذراع القمط (36) موجهة كما هو موضح.

#### تركيب وليجة المنضدة (انظر الصورة c)

- ضع وليجة المنضدة (25) أعلى إسفين الشق (4) في علبه العدة.

- أدر لولب التثبيت (38) باستخدام رأس المفتاح الحلقي (9) حتى النهاية في اتجاه الدوران «القفل مغلق».

- أن يتساطع الجانب الأمامي لوليجة المنضدة (25) مع قاعدة المنشار أو أن يركز تحتها بقليل، ويجب أن يتساطع الجانب الخلفي مع قاعدة المنشار أو أن يركز فوقها بقليل.

#### تركيب غطاء الحماية (انظر الصور d1-d2)

**إرشاد:** لا تقم بتركيب غطاء الحماية إذا كان إسفين الشق في أعلى وضع فوق منتصف شفرة المنشار تماماً (انظر الصورة b2). لا تقم بتركيب غطاء الحماية عندما يكون إسفين الشق في أدنى وضع (حالة التوريد أو وضع نشر الحوز) (انظر الصورة b1).

- قم بفك ذراع الزنق (39) وأخرج غطاء الحماية (3) من الحامل (11).

- أمسك واقية شفرة المنشار بإحدى اليدين (القضيب المعدني العلوي) (3) جيداً، وحرك باليد الأخرى ذراع الزنق (39) إلى أعلى.

- حرك المسمار الدليلي (40) للخلف داخل حز إسفين الشق (4).

- حرك غطاء الحماية (3) لأسفل إلى أن تصعب واقية شفرة المنشار (القضيب المعدني العلوي) موازية لسطح قاعدة المنشار (23).

- اجذب أطراف (47) الغطاء السفلي لشفرة المنشار قليلاً من بعضها البعض، وقم بفتح الغطاء السفلي لشفرة المنشار (46).
- أزل شطايًا ونشارة قطعة الشغل.
- أغلق الغطاء السفلي لشفرة المنشار (46) إلى أن تثبت الأطراف (47).
- أغلق شبكة الأرضية (33).
- اضبط العدة الكهربائية بوضعية الشغل.

#### الشفط الخارجي (انظر الصورة k)

- قم بتركيب خرطوم شفطة مناسب بإحكام في مهائبي الشفط (31).
- يجب أن تصل شفطة الغبار الخوائية للاستعمال مع مادة الشغل المرغوب معالجتها.
- استخدم شفطة غبار خوائية خاصة عند شفط الأعبرة المضرة بالصحة أو المسببة للسرطان أو الشديدة الجفاف.

#### تغيير شفرة المنشار (انظر الصور l1-l4)

- ◀ **انزع المرمك عن العدة الكهربائية قبل إجراء أي أعمال بالعدة الكهربائية (مثلاً: الصيانة، استبدال العدد وإلخ..)** وأيضاً عند نقلها أو تخزينها. هناك خطر إصابة بجرع عند الضغط على مفتاح التشغيل والإطفاء بشكل غير مقصود.
- ◀ **ارتد قفازات واقية عند تركيب نصل المنشار.** خطر التعرض للإصابة.
- ◀ **استخدم فقط نصال المنشار التي تزيد سرعتها القصوى المسموحة عن عدد الدوران اللازم للعدة الكهربائية.**
- ◀ **استخدم فقط أنصال المنشار التي توافق البيانات المذكورة في دليل الاستعمال هذا وعلى العدة الكهربائية، والتي تم اختبارها حسب المواصفة EN 847-1 والتي تم وضع علامة عليها تشير إلى ذلك.**
- ◀ **استعمل فقط شفرات المنشار التي ينصح باستعمالها منتج هذه العدة الكهربائية والتي تصلح للاستعمال مع مواد الشغل المرغوب معالجتها.** وبذلك تتجنب السخونة المفرطة لرؤوس أسنان المنشار، وانصهار قطعة البلاستيك المراد معالجتها.
- ◀ **لا تستخدم نصال المنشار المصنوعة من الفولاذ HSS.** فنصال المنشار هذه قد تنكسر بسهولة.

#### فك شفرة المنشار

- افتح ذراع الزنق (39) وأخرج غطاء الحماية (3) من المز يأسفين الشق (4).
- أدر لولب التثبيت (38) باستخدام رأس المفتاح الحلقي (9) حتى النهاية في اتجاه الدوران «القفل مفتوح»، وارفع وليجة المنضدة (25) من علبه العدة. يوجد ثقب مسك لسهولة الرفع (48).
- أدر ذراع التدوير (15) في اتجاه حركة عقارب الساعة حتى النهاية، بحيث ترتكز شفرة المنشار (26) بأعلى وضعية ممكنة فوق قاعدة المنشار.
- أدر صامولة الشد (49) باستخدام المفتاح الحلقي (9) واسحب ذراع تثبيت محور الدوران (50) في نفس الوقت حتى يتم تثبيته.

#### التركيب على منضدة بوش للعمل (انظر الصورة i)

إن مناضد العمل من شركة بوش (مثل GTA 560) تؤمن للعدة الكهربائية الثبات على كل أرضية من خلال الأقدام القابلة لضبط الارتفاع.

- ◀ **اقرأ جميع ملاحظات التحذير والتعليمات المرفقة بمنضدة العمل.** إن التقصير بالمحافظة على الملاحظات التحذيرية والتعليمات قد تكون من عواقبه الصدمات الكهربائية، اندلاع المريق و/أو الإصابة بجرع خطيرة.

#### ◀ **انصب منضدة العمل بالشكل الصحيح قبل تركيب العدة الكهربائية.** إن التركيب بشكل سليم هام جداً من أجل تجنب خطر الانهدام.

- ركب العدة الكهربائية بوضع النقل على منضدة العمل.

#### شفط الغبار/النشارة

إن غبار بعض المواد كالتلاخ الذي يحتوي على الرصاص، وبعض أنواع الخشب والفلزات والمعادن، قد تكون مضرة بالصحة. إن ملامسة أو استنشاق غبار قد يؤدي إلى أعراض حساسية و/أو إلى أمراض الجهاز التنفسي لدى المستخدم أو لدى الأشخاص المتواجدين على مقربة من المكان.

تعتبر بعض الأعبرة المعينة، كأعبرة البلوط والزان، مسببة للسرطان، ولا سيما عند الارتباط بالمواد الإضافية لمعالجة الخشب (ملع جامض الكروميك، المواد الحافظة للخشب). يجوز أن يتم معالجة المواد التي تمتوي على الألبستوس من قبل العمال المتخصصين فقط دون غيرهم.

- استخدم شفطة غبار ملائمة للمادة قدر الإمكان.
- حافظ على تهوية مكان الشغل بشكل جيد.
- ينصح بارتداء قناع وقاية للتنفس بفئة المرشح P2.
- تراعى الأحكام السارية في بلدكم بالنسبة للمواد المرغوب معالجتها.

#### ◀ **تجنب تراكم الغبار بمكان العمل.** يجوز أن تشتعل الأعبرة بسهولة.

قد تستعصي شفطة الغبار/النشارة من خلال الغبار أو النشارة أو أجزاء صغيرة من قطعة الشغل.

- أطفئ العدة الكهربائية وأخرج المرمك.
- انتظر إلى أن تتوقف شفرة المنشار عن الحركة تماماً.

- ابحث عن سبب الاستعصاء واعمل على إزالته.

#### ◀ **لتجنب خطر الحريق أثناء نشر الألومنيوم قم بتفريغ الغطاء السفلي لشفرة المنشار ولا تستخدم شفطة البرادة.**

#### تنظيف الغطاء السفلي لشفرة المنشار (انظر الصورة j)

لإزالة أجزاء مكسورة عن قطعة الشغل وقطع النشارة الكبيرة يمكنك فتح الغطاء السفلي لشفرة المنشار (46).

- أطفئ العدة الكهربائية وأخرج المرمك من العدة الكهربائية.
- انتظر إلى أن تتوقف شفرة المنشار عن الحركة تماماً.
- اقلب العدة الكهربائية على الجانب.
- افتح شبكة الأرضية (33) (انظر الصورة a).

## تكبير قاعدة المنشار

يجب أن تسند قطع الشغل الطويلة والثقيلة من طرف نهايتها السائبة أو أن تضع شيئاً ما تحتها.

### تعريض قاعدة المنشار (انظر الصورة A)

يتبع تعريض قاعدة المنشار (6) تعريض قاعدة النشر (23) إلى اليمين.

اجذب مقبض الشد (13) إلى أعلى تماماً لإطالة قاعدة المنشار.

قم بسحب امتداد قاعدة المنشار (6) إلى الخارج لحين الوصول للطول المرغوب.

اضغط مقبض الشد (13) إلى أسفل. يكون قد تم تثبيت امتداد قاعدة المنشار بذلك.

## ضبط زوايا الشطب المائل العمودية والأفقية

ينبغي أن يتم فحص الضبط الأساسي بالعدة الكهربائية بعد الاستعمال المكثف وإعادة ضبطها عند الضرورة للمحافظة على دقة القص.

### ضبط زوايا الشطب العمودية (شفرة المنشار) (انظر الصورة B)

يمكن ضبط زاوية الشطب المائلة العمودية في نطاق يتراوح بين 0° و 45°.

قم بمل ذراع التثبيت (20) بإدارته عكس اتجاه حركة عقارب الساعة.

**ملحوظة:** عند حل ذراع التثبيت بشكل كامل، فإن شفرة المنشار ستقلب من جراب قوة الجاذبية إلى وضعية تعادل 30° تقريباً.

اسحب أو اضغط الطارة اليدوية (14) على مسار قالب الإزلاق إلى أن يشير المؤشر الزاوي (21) إلى زاوية الشطب العمودية المرغوبة.

حافظ على إبقاء الطارة اليدوية بهذا الوضع وأحكام شد ذراع التثبيت (20) مرة أخرى.

**للضبط السريع والدقيق للزوايا العمودية النموذجية 0° و 45°** هناك مصدات مضبوطة من قبل المصنع (22)، (18) مخصصة لذلك.

### ضبط زاوية الشطب المائل الأفقية (المصد الزاوي) (انظر الصورة C)

يمكن ضبط زاوية الشطب المائل الأفقية في نطاق يبلغ 30° (ناحية اليسار) حتى 30° (ناحية اليمين).

قم بفك مقبض التثبيت (54) في حالة ربطه.

أدر المصد الزاوي إلى أن يشير المؤشر الزاوي (55) إلى زاوية الشطب المرغوبة.

قم بشد مقبض التثبيت (54) مرة أخرى.

## ضبط مصد التوازي

يمكن تركيز مصد التوازي (5) على يسار (التدرج الأسود) أو يمين (التدرج الفضي) نصل المنشار. تبين العلامة في بيان التدرج (56) المسافة المضبوطة بين مصد التوازي وشفرة المنشار على التدرج (1). ضع مصد التوازي على جانب نصل المنشار المرغوب (انظر «تركيب مصد التوازي (انظر الصورة e)»، الصفحة 170).

حافظ على سحب ذراع تثبيت محور الدوران وفك صامولة الشد بفتلها بعكس اتجاه حركة عقارب الساعة.

اخلع فلانشة الشد (51).

أخرج شفرة المنشار (26).

### تركيب شفرة المنشار

نظف جميع الأجزاء المطلوب تركيبها قبل التركيب عند الضرورة.

ضع شفرة المنشار الجديدة على فلانشة التثبيت (52) الخاصة بمحور دوران العدة (53).

**ملحوظة:** لا تستخدم شفرات منشار شديدة الصغر. لا يجوز أن تتخطى المسافة نصف القطرية بين شفرة المنشار وإسفين الشق 3 - 8 مم.

◀ **يراعى أثناء التركيب أن يتوافق اتجاه قص الأسنان (اتجاه السهم على شفرة المنشار) مع اتجاه السهم على إسفين الشق.**

قم بتركيب فلانشة الشد (51) وصامولة الشد (49).

أدر صامولة الشد (49) باستخدام المفتاح الحلقي (9) واسحب ذراع تثبيت محور الدوران (50) في نفس الوقت حتى يتم تثبيته.

شد صامولة الشد بإحكام بفتلها باتجاه حركة عقارب الساعة.

ضع وليجة المنضدة (25) أعلى إسفين الشق (4) في علبة العدة. أدر لولب التثبيت (38) باستخدام رأس المفتاح الحلقي (9) حتى النهاية في اتجاه الدوران «القفل مغلق».

قم بتركيب غطاء الحماية (3) مرة أخرى.

## التشغيل

◀ **انزع المرمك عن العدة الكهربائية قبل إجراء أي أعمال بالعدة الكهربائية (مثلاً: الصيانة، استبدال العدد وإلخ.) وأيضاً عند نقلها أو تخزينها.** هناك خطر إصابة بجروح عند الضغط على مفتاح التشغيل والإطفاء بشكل غير مقصود.

### وضع النقل ووضع العمل لشفرة المنشار

#### وضع النقل

أخرج غطاء الحماية (3) وقم بإزالة وليجة المنضدة (25) وضع إسفين الشق (4) في أدنى وضع. قم بتركيب وليجة المنضدة (25) مرة أخرى.

أدر ذراع التدوير (15) في عكس اتجاه حركة عقارب الساعة إلى أن توجد أسنان شفرة المنشار (26) أسفل قاعدة المنشار (23).

حرك تعريض قاعدة المنشار (6) نحو الداخل بشكل كامل.

اضغط مقبض الشد (13) إلى أسفل. يكون قد تم تثبيت امتداد قاعدة المنشار بذلك.

#### وضع العمل

ضع إسفين الشق (4) في أعلى وضع فوق منتصف شفرة المنشار تماماً، وقم بتركيب وليجة المنضدة (25) وغطاء الحماية (3).

أدر ذراع التدوير (15) في اتجاه عقارب الساعة إلى أن تصعب السنون العلوية لشفرة المنشار (26) فوق قطعة الشغل بمسافة 3 - 6 مم تقريباً.

- يجب أن يكون إسفين الشق دائما على خط مسار نصل المنشار.

- يجب أن يتركز إسفين الشق دائما بأعلى وضعية ممكنة عند القيام بأعمال النشر الاعتيادية.

#### ضبط ارتفاع إسفين الشق (انظر الصورة F)

يجب أن تضبط ارتفاع إسفين الشق من أجل نشر الحزوز.

◀ لا تستخدم العدة الكهربائية لعمل الحزوز أو الطيات إلا مع تجهيزات الحماية الملائمة (مثل: غطاء نفق الوقاية، مشط القمط).

- افتح ذراع الزنق (39) وأخرج غطاء الحماية (3) من المز بإسفين الشق (4).

- لحماية غطاء الوقاية من الأضرار ضعه في الحامل المحدد (11) على جسم الجهاز (انظر أيضا الصورة O2).

- أدر ذراع التدوير (15) في اتجاه حركة عقارب الساعة حتى النهاية، بحيث تتركز شفرة المنشار (26) بأعلى وضعية ممكنة فوق قاعدة المنشار.

- قم بفك ذراع القمط (36) بإدارته في اتجاه عقارب الساعة إلى أن يشير إلى أعلى.

- اسحب إسفين الشق من السيقان (37) (اسحب ذراع الزنق (36) للخارج قليلا) وحرك إسفين الشق (4) لأسفل حتى النهاية.

- ركب الساقين (37) في الفتحات العلوية بإسفين الشق، وأحكم ربط ذراع الزنق (36) مرة أخرى.

- يجب أن تكون العلامات (35) الموجودة على المشبك وذراع القمط (36) موجهة كما هو موضح.

#### التشغيل

##### التشغيل (انظر الصورة G1)

- للتشغيل اضغط على مفتاح التشغيل والإطفاء (16) من الجانبين واجذبه إلى أعلى.

##### الإطفاء (انظر الصورة G2)

- اضغط على مفتاح التشغيل والإطفاء (16) إلى أسفل.

##### الحماية من الاستعمال غير المصرح به (انظر الصورة G3)

- للحماية من الاستعمال غير المصرح به يمكنك منع استخدام مفتاح التشغيل والإطفاء (16) باستخدام قفل.

- حرك القفل باستخدام مسك قوسي طويل عبر التجويف في مفتاح التشغيل والإطفاء (16) وقم بإغلاقه.

#### إرشادات العمل

##### ملاحظات نشر عامة

◀ يجب أن تتأكد قبل إجراء أي عملية قطع بالأ تلامس شفرة المنشار أي مصدر أو دليل أو أي جزء آخر من الجهاز في أي لحظة.

◀ لا تستخدم العدة الكهربائية لعمل الحزوز أو الطيات إلا مع تجهيزات الحماية الملائمة (مثل: غطاء نفق الوقاية، مشط القمط).

◀ لا تستخدم العدة الكهربائية لعمل شق (في التجويف المنتهي داخل قطعة الشغل).

#### ضبط مصد التوازي

##### عندما تكون قاعدة المنشار مفتوحة ومسحوبة

- قم بفك مقبض الشد (41) الخاص بمصد التوازي (5). حرك مصد التوازي، إلى أن تشير العلامة ببيان التدريع (56) إلى المسافة المرغوبة حتى شفرة المنشار.

- عندما تكون منضدة العمل غير مفتوحة تسري الكتابة السفلية على التدريع القضي (1).

- اضغط مقبض الشد (41) نحو الأسفل مرة أخرى من أجل التثبيت.

#### ضبط مصد التوازي

##### عندما تكون قاعدة المنشار مفتوحة ومسحوبة (انظر الصورة D)

- ركز مصد التوازي على يمين نصل المنشار.

- حرك مصد التوازي، إلى أن تشير العلامة ببيان التدريع (56) إلى التدريع السفلي 29 سم.

- اضغط مقبض الشد (41) نحو الأسفل مرة أخرى من أجل التثبيت.

- اجذب مقبض الشد (13) إلى أعلى تماما لإطالة قاعدة المنشار.

- قم بسحب امتداد قاعدة المنشار (6) إلى الخارج إلى أن يشير مبيّن البعد (57) على التدريع العلوي إلى البعد المرغوب عن نصل المنشار.

- اضغط مقبض الشد (13) إلى أسفل.

- يكون قد تم تثبيت امتداد قاعدة المنشار بذلك.

#### ضبط مصد التوازي الإضافي (انظر الصورة E)

##### نشر قطع الشغل الرفيعة ونشر زوايا شطب

- رأسية ينبغي تركيب مصد التوازي الإضافي (43) على مصد التوازي (5).

- يمكن تركيب مصد التوازي الإضافي حسب الحاجة على يمين أو يسار مصد التوازي (5).

- قد تنحصر قطع الشغل أثناء النشر بين مصد التوازي ونصل المنشار، فيتم طمها وقذفها من قبل نصل المنشار أثناء حركة صعوده.

- لتجنب ذلك ينبغي أن يضبط مصد التوازي الإضافي بحيث تنتهي نهاية دليله بالمجال الكائن بين السن الأمامي لنصل المنشار والحافة الأمامية لإسفين الشق.

- لتنفيذ ذلك ينبغي أن تحل جميع الصواميل الممنجة الخاصة بطقم التثبيت (44) وحرك مصد التوازي الإضافي إلى أن يتم التثبيت من قبل اللولبين الأماميين فقط.

- أعد إحكام شد الصواميل الممنجة.

#### ضبط إسفين الشق

- يمنع إسفين الشق (4) انحصار نصل المنشار (26) في أخدود القص. فلو تكلب نصل المنشار في قطعة الشغل، فقد يتشكل خطر الصدمات الارتدادية. احرص لهذا السبب دائما على كون إسفين الشق مضبوطا بالشكل الصحيح:

- لا يجوز أن تتخطى المسافة نصف القطرية بين شفرة المنشار وإسفين الشق 3 - 8 مم.

- يجب أن يكون ثخن إسفين الشق أصغر من عرض القص وأكبر من ثخن جذع نصل المنشار.

- اتبع خطوات العمل وفقا لما ورد في: (انظر „نشر القطوع المستقيمة“، الصفحة 174)

### نشر زاوية الشطب المائل الأفقية (انظر الصورة 1)

- اضبط زاوية الشطب المائلة الأفقية المرغوبة بالمصد الزاوي (2).
- اسند قطعة الشغل على المصد الزاوي (2).
- قم برفع شفرة المنشار أو خفضها عن طريق ذراع التدوير (15) إلى أن تصبغ سنون النشر العلوية فوق سطح قطعة الشغل بمسافة 5 مم.
- قم بتشغيل العدة الكهربائية.
- قم بضغط قطعة الشغل بيد واحدة على المصد الزاوي، و قم بتحركه باستخدام اليد الأخرى من مقبض التثبيت (54) ببطء في المزدليلي (30) إلى الأمام.
- أطفئ العدة الكهربائية، وانتظر إلى أن تتوقف شفرة المنشار عن الحركة تماما.

### فحص الضبط الأساسي وضبطه

ينبغي أن يتم فحص الضبط الأساسي بالعدة الكهربائية بعد الاستعمال المكثف وإعادة ضبطها عند الضرورة للمحافظة على دقة القص. إنك بحاجة إلى الخبرة وللعدد الخاصة الموافقة لتنفيذ ذلك.

ينفذ مركز خدمة عملاء بوش هذا العمل بشكل سريع وموثوق به.

### ضبط المصادمين لزوايا الشطب العمودية المائلة النموذجية 45/0°

- اضبط العدة الكهربائية بوضعية الشغل.
- اضبط زاوية شطب مائلة عمودية لنصل المنشار مقدارها 0°.
- أخرج غطاء الحماية (3).
- **الفحص (انظر الصورة J1)**
- وقم بإزالة وليجة المنضدة (25) (انظر „تركيب وليجة المنضدة (انظر الصورة c)“، الصفحة 170).
- قم بضبط مقياس الزاوية على 90° وضعه على قاعدة المنشار (23).
- يجب أن يتراصف ساق مقياس الزاوية بكامل طوله مع شفرة المنشار (26).

### الضبط (انظر الصورة J2)

- قم بحل اللولب (58). بذلك يمكن تحريك مصد زاوية 0° (22).
- قم بفتح ذراع التثبيت (20).
- حرك الطارة اليدوية (14) نحو مصد زاوية 0° إلى أن تتساطع ساق المقياس الزاوي مع شفرة المنشار على كامل طولها.
- حافظ على إبقاء الطارة اليدوية بهذا الوضع وأحكام شد ذراع التثبيت (20) مرة أخرى.
- أحكم ربط اللولب (58).
- أعد تركيب وليجة المنضدة (25) (انظر „تركيب وليجة المنضدة (انظر الصورة c)“، الصفحة 170).
- إن لم يكن مبين الزاوية (21) بعد الضبط على خط مسار واحد مع علامات 0° على التدريج (19)، قم بفك اللولب (59) باستخدام أحد مفكات البراغي

احم نصل المنشار من الصدمات والطرقات. لا تعرض نصل المنشار لضغط جانبي.

يجب أن يركز إسفين الشق على خط مسار شفرة المنشار من أجل تجنب انقماط قطعة الشغل. لا تعالج قطع الشغل المتلوية. يجب دائما أن تكون حافة قطعة الشغل مستقيمة لكي يتم تركيزها على مصد التوازي.

احتفظ بعضا الدفع دائما على العدة الكهربائية.

### موقع المستخدم (انظر الصورة H)

- ❖ **لا تقف أبدا على نفس خط نصل المنشار. اجعل جسمك دائما في نفس جانب الحاجز بالنسبة لنصل المنشار.** قد تتسبب الصدمة الارتدادية في اندفاع قطعة العمل بسرعة كبيرة في اتجاه أي شخص يقف أمام نصل المنشار أو على خط واحد معه.
- أبعد اليدين والأصابع والذراعين عن شفرة المنشار الدوار.

تراعى أثناء ذلك الملاحظات التالية:

- امسك بقطعة الشغل بواسطة اليدين الأثنتين بأمان واضغطها بإحكام على منضدة الشغل.
- للعمل على قطع الشغل الرفيعة وعند نشر زاوية شطب رأسية احرص دائما على استخدام عصا الدفع المورد (12) ومصد التوازي الإضافي (43).

### أقصى مقاسات قطعة الشغل

زاوية شطب عمودية	أقصى ارتفاع لقطعة الشغل [مم]
0°	70
45°	50

### النشر

#### نشر القطوع المستقيمة

- قم بضبط مصد التوازي (5) على عرض القطع المرغوب.
- ضع قطعة الشغل على قاعدة المنشار أمام غطاء الحماية (3).
- قم برفع شفرة المنشار أو خفضها عن طريق ذراع التدوير (15) إلى أن تصبغ السنون العلوية لشفرة المنشار (26) فوق قطعة الشغل بمسافة 3 - 6 مم تقريبا.
- قم بتشغيل العدة الكهربائية.
- انشر قطعة الشغل بشكل كامل بدفع أمامي منتظم.
- في حالة الضغط بشكل زائد فقد تتعرض رؤوس شفرات المنشار للسخونة الزائدة، وتعرض قطعة الشغل لأضرار.
- أطفئ العدة الكهربائية، وانتظر إلى أن تتوقف شفرة المنشار عن الحركة تماما.

#### نشر زوايا الشطب المائلة العمودية

- اضبط زاوية الشطب المائلة الرأسية المرغوبة لشفرة المنشار.
- في حالة ميل شفرة المنشار إلى الجانب الأيسر يجب أن يكون مصد التوازي (5) على يمين شفرة المنشار.

- قم بفك مقبض الشد (41) الخاص بمصد التوازي وحركه إلى أن يلامس شفرة المنشار.

#### الفحص

يجب أن يلامس مصد التوازي (5) شفرة المنشار بطولها الكامل.

#### الضبط

- قم بفك اللوالب سداسية الرأس (64) باستخدام المفتاح سداسي الرأس المجوف المورد (10).

- حرك مصد التوازي (5) بحرص إلى أن يلامس شفرة المنشار بطولها الكامل.

- ثبت مصد التوازي في هذا الوضع واضغط مقبض الشد (41) مرة أخرى إلى أسفل.

- أحكم ربط اللوالب سداسية الرأس (64) مرة أخرى.

#### ضبط قوة شد مصد التوازي

قد تتراجع قوة شد مصد التوازي (5) بعد الاستعمال المتكرر.

- اربط لولب الضبط (24) إلى أن يستقر مصد التوازي بنبات مرة أخرى على قاعدة المنشار.

#### ضبط بيان التدرج بمصد التوازي (انظر الصورة M)

- اضبط العدة الكهربائية بوضعية الشغل.

- أخرج غطاء الحماية (3).

- قم بتحرك مصد التوازي (5) من اليمين إلى أن يلامس نصل المنشار.

#### الفحص

يجب أن تقع علامة بيان التدرج (56) على نفس خط مسار علامة 0 مم بالتدرج (1).

#### الضبط

- قم بحل اللولب (65) بواسطة مفك براغي متصالية الحز وقم بتسوية العلامة على طول علامة 0 مم.

#### ضبط مستوى وليجة المنضدة (انظر الصورة N)

#### الفحص

أن يتساطع الجانب الأمامي لوليجة المنضدة (25) مع قاعدة المنشار أو أن يركز تحتها بقليل، ويجب أن يتساطع الجانب الخلفي مع قاعدة المنشار أو أن يركز فوقها بقليل.

#### الضبط

- باستخدام رأس المفتاح الملقى (9) قم بضبط المستوى الصحيح للوالب الضبط (66).

### التخزين والنقل

#### حفظ عناصر الجهاز (انظر الصور 01-02)

توفر لك العدة الكهربائية إمكانية تثبيت عناصر معينة من الجهاز بشكل آمن.

- قم بفك مصد التوازي الإضافي (43) من مصد التوازي (5).

- قم بإدخال جميع أجزاء الجهاز في حجيرات الحفظ على جسم الجهاز (انظر الجدول التالي).

عناصر الجهاز	موضع الحفظ
مصد التوازي (5)	اقلبه، وعلقه في سلك التوجيه من الأسفل وشد مقبض الشد (41) بإحكام
عصا الدفع (12)	الإدخال في موضع الحفظ (67)

متصالية الحز المتداول في الأسواق وقم بمحاذاة خط المنتصف لمؤشر الزاوية على امتداد العلامة 0°.

كرر خطوات العمل الموصوفة أعلاه بالنسبة لزاوية الشطب العمودية 45° (حل اللولب (60)، وإزاحة مصد زاوية 45° (18)). لا يجوز تعديل ضبط مابين الزاوية (21) مرة أخرى في هذه الأثناء.

#### توازي نصل المنشار بالنسبة للحزوز الدليلية بالمضاد الزاوي (انظر الصورة K)

- اضبط العدة الكهربائية بوضعية الشغل.

- أخرج غطاء الحماية (3).

#### الفحص

- علم سن النشر اليساري الأول المرئي في الخلف فوق وليجة المنضدة بواسطة قلم رصاص.

- اضبط مقياس زاوي ضابط على 90° وضعه على حافة الحز الدليلي (30).

- قم بإزاحة ساق المقياس الزاوي الضابط إلى أن تلامس سن النشر التي تم تعليمها، واقرأ البعد بين نصل المنشار والحز الدليلي.

- دور نصل المنشار إلى أن يبرز السن الذي تم تعليمه عن وليجة المنضدة من الأمام.

- قم بإزاحة المقياس الزاوي الضابط على خط مسار الحز الدليلي إلى حد سن النشر الذي تم تعليمه.

- قم بمقياس البعد بين نصل المنشار والحز الدليلي مرة أخرى.

يجب أن يتطابق البعدان اللذان تم قياسهما.

#### الضبط

- قم بفك اللوالب سداسية الرأس (61) في الأمام أسفل قاعدة المنشار واللوالب سداسية الرأس (62) في الخلف أسفل قاعدة المنشار باستخدام المفتاح سداسي الرأس المجوف المورد (10).

- حرك نصل المنشار بحذر إلى أن يتوازي مع الحز الدليلي (30).

- أحكم ربط كافة اللوالب (61) و (62) مرة أخرى.

#### ضبط مؤشر البعد بقاعدة المنشار (انظر الصورة L)

- ركز مصد التوازي على يمين نصل المنشار.

حرك مصد التوازي، إلى أن تشير العلامة ببيان التدرج (56) إلى التدرج السفلي 29 سم.

للتثبيت اضغط مقبض الشد (41) نمو الأسفل مرة أخرى.

- اجذب مقبض الشد (13) إلى أعلى تماما، واجذب امتداد قاعدة المنشار (6) إلى الخارج حتى المصد.

#### الفحص

يجب أن يشير مابين البعد (57) بالتدرج العلوي (1) إلى نفس القيمة التي تشير إليها العلامة ببيان التدرج (56) على التدرج السفلي (1).

#### الضبط

- اجذب امتداد قاعدة المنشار (6) إلى الخارج حتى المصد.

- قم بحل اللولب (63) بواسطة مفك براغي متصالية الحز وقم بتسوية مابين البعد (57) على مسار علامة 29 سم بالتدرج العلوي (1).

#### ضبط توازي مصد التوازي (انظر الصورة M)

- اضبط العدة الكهربائية بوضعية الشغل.

- أخرج غطاء الحماية (3).

- التركيب بطريقة قليلة الاهتزازات على سطح عمل ثابت
- استخدام نصال المنشار ذات الوظائف المخفضة للضجيج
- تنظيف نصل المنشار والعدة الكهربائية بشكل منتظم

### خدمة العملاء واستشارات الاستخدام

يجب مركز خدمة العملاء على الأسئلة المتعلقة بإصلاح المنتج وصيانته، بالإضافة لقطع الغيار. تجد الرسوم التفصيلية والمعلومات الخاصة بقطع الغيار في الموقع: [www.bosch-pt.com](http://www.bosch-pt.com)  
يسر فريق Bosch لاستشارات الاستخدام مساعدتك إذا كان لديك أي استفسارات بخصوص منتجاتنا وملحقاتها.

يلزم ذكر رقم الصنف ذو الخانات العشر وفقاً للوحة صنع المنتج عند إرسال أية استفسارات أو طلبيات قطع غيار.

#### المغرب

Robert Bosch Morocco SARL  
53, شارع الملازم محمد محروود  
20300 الدار البيضاء  
الهاتف: 27 43 31 29 5 212 +  
البريد الإلكتروني: [sav.outillage@ma.bosch.com](mailto:sav.outillage@ma.bosch.com)

#### تجد المزيد من عناوين الخدمة تحت:

[www.bosch-pt.com/serviceaddresses](http://www.bosch-pt.com/serviceaddresses)

#### النقل

تخضع مراكز أيونات الليثيوم الموصى بها لاشتراطات قانون المواد الخطرة. يسمح للمستخدم أن يقوم بنقل المراكم على الطرقات دون التقيد بأية شروط إضافية.

عندما يتم إرسالها عن طريق طرف آخر (مثلاً: الشحن الجوي أو شركة شحن)، يتوجب التقيد بشروط خاصة بصدد التغليف ووضع العلامات. ينبغي استشارة خبير متخصص بنقل المواد الخطيرة عندما يرغب بتحضير المرمك المراد شحنه في هذه الحالة.

لا تقوم بشحن المراكم إلا إذا كان هيكلها الخارجي سليماً. قم بتغطية الملامسات المكشوفة بلاصقات، وقيم بتغليف المرمك بحيث لا يتحرك في الطرد. يرجى أيضاً مراعاة التشريعات المحلية المتعلقة إن وجدت.

#### التخلص من العدة الكهربائية

يجب التخلص من العدة الكهربائية والمركم والتوابع والتغليف بطريقة صديقة للبيئة عن طريق النفايات القابلة لإعادة التصنيع.

لا تلق العدة الكهربائية والمراكم/البطاريات ضمن النفايات المنزلية!



#### المراكم/البطاريات:

#### مراكم أيونات الليثيوم:

يرجى مراعاة الإرشادات الواردة في جزء النقل (انظر „النقل“، الصفحة 176).

موضع الحفظ	عنصر الجهاز
التثبيت في تجاويف المامل (11) وقيم بإحكام الربط باستخدام ذراع الزنق (39)	الغطاء الواقي (3)
الإدخال في موضع الحفظ (68)	مفتاح سداسي الرأس المجوف (10)
الإدخال في موضع الحفظ (69)	المفتاح الحلقي (9)
الإدخال في موضع الحفظ (7)	المصد الزاوي (2)
إدخال في الحز الخلفي بمصد التوازي (5) وإحكام التثبيت باستخدام اللوالب المجنحة	مصد توازي إضافي (43)

#### حمل العدة الكهربائية

انزع المرمك عن العدة الكهربائية قبل إجراء أي أعمال بالعدة الكهربائية (مثلاً: الصيانة، استبدال العدد وإلخ..). وأيضاً عند نقلها أو تخزينها. هناك خطر إصابة بجروح عند الضغط على مفتاح التشغيل والإطفاء بشكل غير مقصود.

يجب أن تطبق الخطوات التالية قبل نقل العدة الكهربائية:

- اضبط العدة الكهربائية على وضع النقل (انظر „وضع النقل“، الصفحة 172).
- أبعد جميع قطع التوابع التي لا يمكن تثبيتها بالعدة الكهربائية بإحكام.
- ضع شفرات المنشار التي لا يتم استعمالها في وعاء مغلق أثناء النقل إن أمكن.
- حرك تعريض قاعدة المنشار (6) نحو الداخل بشكل كامل واضغط مقبض الشد (13) نحو الأسفل من أجل التثبيت.
- استخدم مقابض الحمل من أجل الحمل أو النقل (29).

استخدم تجهيزات النقل دائماً عند نقل العدة الكهربائية ولا تستخدم أبداً تجهيزات الوقاية.

## الصيانة والخدمة

### الصيانة والتنظيف

انزع المرمك عن العدة الكهربائية قبل إجراء أي أعمال بالعدة الكهربائية (مثلاً: الصيانة، استبدال العدد وإلخ..). وأيضاً عند نقلها أو تخزينها. هناك خطر إصابة بجروح عند الضغط على مفتاح التشغيل والإطفاء بشكل غير مقصود.

للعمل بشكل جيد وأمن حافظ دائماً على نظافة العدة الكهربائية وفتحات التهوية.

#### التنظيف

أزل الغبار والشارة بعد كل خطوة عمل من خلال نفضها بالهواء المضغوط أو بواسطة فرشاة.

#### إجراءات لتخفيض الضجيج

- إجراءات من طرف المنتج:
- البدء بإدارة هادئة
- التسليم مع نصل منشار تم تطويره بشكل خاص لتخفيض الضجيج
- إجراءات من طرف المستخدم:



## فارسی

### دستورات ایمنی

#### هشدارهای ایمنی عمومی برای ابزارهای برقی

##### ⚠ هشدار

کلیه هشدارها،

دستورالعملها، تصاویر و

مشخصات ارائه شده به همراه ابزار برقی را مطالعه کنید. اشتباهات ناشی از عدم رعایت این دستورات ایمنی ممکن است باعث برق گرفتگی، سوختگی و یا سایر جراحات های شدید شود.

کلیه هشدارهای ایمنی و راهنماییها را برای آینده خوب نگهداری کنید.

عبارت «ابزار برقی» در هشدارها به ابزارهایی که به پریز برق متصل میشوند (با سیم برق) و یا ابزارهای برقی باتری دار (بدون سیم برق) اشاره دارد.

##### ایمنی محل کار

◀ محیط کار را تمیز و روشن نگه دارید.

محیطهای در هم ریخته یا تاریک احتمال بروز حادثه را افزایش میدهد.

◀ ابزار برقی را در محیطهایی که خطر انفجار وجود دارد و حاوی مایعات، گازها و بخارهای محترقه هستند، به کار نگیرید. ابزارهای برقی جرقههایی ایجاد میکنند که میتوانند باعث آتش گرفتن گرد و غبارهای موجود در هوا شوند.

◀ هنگام کار با ابزار برقی، کودکان و سایر

افراد را از دستگاه دور نگه دارید. در صورتیکه حواس شما پرت شود، ممکن است کنترل دستگاه از دست شما خارج شود.

##### ایمنی الکتریکی

◀ دوشاخه ابزار برقی باید با پریز برق تناسب داشته باشد. هیچگونه تغییری در دوشاخه ایجاد نکنید. مدل دوشاخه نباید همراه با ابزار برقی دارای اتصال زمین استفاده شود. دوشاخههای اصل و تغییر داده نشده و پریزهای مناسب، خطر برق گرفتگی را کاهش میدهند.

◀ از تماس بدنی با قطعات متصل به سیم اتصال زمین مانند لوله، شوفاژ، اجاق برقی و یخچال خودداری کنید. در صورت تماس بدنی با سطوح و قطعات دارای اتصال به زمین و همچنین تماس شما با زمین، خطر برق گرفتگی افزایش می یابد.

◀ ابزارهای برقی را در معرض باران و رطوبت قرار ندهید. نفوذ آب به ابزار برقی، خطر شوک الکتریکی را افزایش میدهد.

◀ از سیم دستگاه برای مقاصد دیگر استفاده نکنید. هرگز برای حمل ابزار برقی، کشیدن آن یا خارج کردن دوشاخه از سیم دستگاه استفاده نکنید. کابل دستگاه را از حرارت، روغن، لبههای تیز یا قطعات متحرک دور نگه دارید. کابلهای آسیب دیده و یا گره خورده خطر شوک الکتریکی را افزایش میدهند.

◀ هنگام استفاده از ابزار برقی در محیطهای باز، تنها از کابل رابطی استفاده کنید که برای

محیط باز نیز مناسب باشد. کابل های رابط مناسب برای محیط باز، خطر برق گرفتگی را کم می کنند.

◀ در صورت لزوم کار با ابزار برقی در محیط و اماکن مرطوب، باید از یک کلید حفاظتی جریان خطا و نشستی زمین (کلید قطع کننده اتصال با زمین) استفاده کنید. استفاده از کلید حفاظتی جریان خطا و نشستی زمین خطر برق گرفتگی را کاهش می دهد.

##### رعایت ایمنی اشخاص

◀ حواس خود را خوب جمع کنید، به کار خود دقت کنید و با فکر و هوشیاری کامل با ابزار برقی کار کنید. در صورت خستگی و یا در صورتی که مواد مخدر، الکل و دارو استفاده کردهاید، با ابزار برقی کار نکنید. یک لحظه بی توجهی هنگام کار با ابزار برقی، میتواند جراثمت های شدیدی به همراه داشته باشد.

◀ از تجهیزات ایمنی شخصی استفاده کنید.

همواره از عینک ایمنی استفاده نمایید. استفاده از تجهیزات ایمنی مانند ماسک ضد گرد و غبار، کفشهای ایمنی ضد لغزش، کلاه ایمنی و گوشی محافظ متناسب با نوع کار با ابزار برقی، خطر مجروح شدن را کاهش میدهد.

◀ مواظب باشید که ابزار برقی بطور ناخواسته بکار نیفتد. قبل از وارد کردن دوشاخه دستگاه در پریز برق، اتصال آن به باتری، برداشتن آن و یا حمل دستگاه، باید دقت کنید که ابزار برقی خاموش باشد. در صورتی که هنگام حمل دستگاه انگشت شما روی دکمه قطع و وصل باشد و یا دستگاه را در حالت روشن به برق بزنید، ممکن است سوانح کاری پیش آید.

◀ قبل از روشن کردن ابزار برقی، همه ابزارهای تنظیم کننده و آپارها را از روی دستگاه بردارید. ابزار و آپارهایی که روی بخش های چرخنده دستگاه قرار دارند، میتوانند باعث ایجاد جراثمت شوند.

◀ وضعیت بدن شما باید در حالت عادی قرار داشته باشد. برای کار جای مطمئن برای خود انتخاب کرده و تعادل خود را همواره حفظ کنید. به این ترتیب میتوانید ابزار برقی را در وضعیتهای غیر منظره بهتر تحت کنترل داشته باشید.

◀ لباس مناسب بپوشید. از پوشیدن لباسهای گشاد و حمل زینت آلات خودداری کنید. موها و لباس خود را از بخشهای در حال چرخش دستگاه دور نگه دارید. لباسهای گشاد، موی بلند و زینت آلات ممکن است در قسمتهای در حال چرخش دستگاه گیر کنند.

◀ در صورتی که تجهیزاتی برای اتصال وسائل مکش گرد و غبار و یا وسیله جمع کننده گرد و غبار ارائه شده است، باید مطمئن شوید که این وسائل درست نصب و استفاده می شوند.

استفاده از وسائل مکش گرد و غبار مصونیت شما را در برابر گرد و غبار زیادتر میکند. آشنایی با ابزار به دلیل کار کردن زیاد با آن نباید باعث سهل انگاری شما و نادیده گرفتن

**وسائل کوچک فلزی دور نگه دارید، زیرا این وسائل ممکن است باعث ایجاد اتصالی شوند.** ایجاد اتصالی بین دو قطب باتری (ترمینالهای باتری) میتواند باعث سوختگی و ایجاد حریق شود.

◀ **استفاده بی رویه از باتری میتواند باعث خروج مایعات از آن شود؛ از هر گونه تماس با این مایعات خودداری کنید.** در صورت تماس با آب بشوئید. در صورت آلوده شدن چشم با این مایع، باید به پزشک مراجعه کنید. مایع خارج شده از باتری میتواند باعث التهاب پوست و سوختگی شود.

◀ **هرگز از باتری یا ابزار آسیب دیده یا دست کاری شده استفاده نکنید.** باتریهای آسیب دیده ممکن است کارکرد غیر منتظرهای داشته باشند و منجر به آتش سوزی، انفجار یا جراثیم شوند.

◀ **باتری یا ابزار را در معرض آتش یا دمای زیاد قرار ندهید.** قرار گرفتن در معرض آتش یا دمای بالاتر از 130 درجه سانتیگراد میتواند باعث انفجار شود.

◀ **همه راهنمایهای مربوط به شارژ را رعایت کنید و باتری یا ابزار را خارج از محدوده دمای تعریف شده در دستورات شارژ نکنید.** شارژ کردن نادرست یا در دمای خارج از محدوده تعریف شده ممکن است به باتری صدمه بزند و خطر آتش سوزی را افزایش دهد.

#### سرویس

◀ **برای تعمیر ابزار برقی فقط به متخصصین حرفهای رجوع کنید و از قطعات یدکی اصل استفاده نمایید.** این باعث خواهد شد که ایمنی دستگاه شما تضمین گردد.

◀ **هرگز باتریهای آسیب دیده را تعمیر نکنید.** باتری باید تنها توسط متخصصین مجاز شرکت تعمیر شوند.

#### دستورات ایمنی برای اره های میزی گرد

##### دستورات ایمنی مربوط به حفاظها

◀ **حفاظها را بردارید.** حفاظها بایستی خوب نصب شوند و در وضعیت کارایی صحیحی باشند. حفاظهای شل، آسیب دیده یا بدون کارایی بایستی تعمیر یا تعویض شوند.

◀ **همواره برای انجام برش کامل از حفاظ تیغه اره و گوه استفاده کنید.** در مورد برشهای کاملی که تیغه اره کاملاً در قطر قطعه کار قرار دارد، حفاظ تیغه اره و سایر موارد حفاظتی، خطر بروز جراثیم را کاهش میدهند.

◀ **پس از انجام برش های سطحی نظیر شیارزنی لبه، گوه فلزی را دوباره به وضعیت ایستاده برگردانید.** بعد از قرار دادن گوه فلزی به حالت ایستاده، محافظ تیغه را دوباره متصل کنید. محافظ و گوه فلزی، خطر بروز جراثیم را کاهش می دهند.

◀ **قبل از روشن کردن ابزار برقی مطمئن شوید که تیغه اره با گوه، محافظ تیغه یا قطعه اره،**

**اصول ایمنی شود.** بی دقتی ممکن است باعث بروز جراحاتی در عرض کسری از ثانیه شود.

#### استفاده صحیح از ابزار برقی و مراقبت از آن

◀ **از وارد کردن فشار زیاد روی دستگاه خودداری کنید.** برای هر کاری، از ابزار برقی مناسب با آن استفاده کنید. بکار گرفتن ابزار برقی مناسب باعث میشود که بتوانید از توان دستگاه بهتر و با اطمینان بیشتر استفاده کنید.

◀ **در صورت ایراد در کلید قطع و وصل ابزار برقی، از دستگاه استفاده نکنید.** ابزار برقی که نمی توان آنها را قطع و وصل کرد، خطرناک بوده و باید تعمیر شوند.

◀ **قبل از تنظیم ابزار برقی، تعویض متعلقات و یا کنار گذاشتن آن، دوشاخه را از برق بکشید و یا باتری آنرا خارج کنید.** رعایت این اقدامات پیشگیری ایمنی از راه افتادن ناخواسته ابزار برقی جلوگیری می کند.

◀ **ابزار برقی را در صورت عدم استفاده، از دسترس کودکان دور نگه دارید و اجازت ندهید که افراد ناوارد و یا اشخاصی که این دفترچه راهنما را نخوانده اند، با این دستگاه کار کنند.** قرار گرفتن ابزار برقی در دست افراد ناوارد و بی تجربه خطرناک است.

◀ **از ابزار برقی و متعلقات خوب مراقبت کنید.** مواظب باشید که قسمت های متحرک دستگاه خوب کار کرده و گیر نکنند. همچنین دقت کنید که قطعات ابزار برقی شکسته و یا آسیب دیده نباشند. قطعات آسیب دیده را قبل از شروع به کار تعمیر کنید. علت بسیاری از سوانح کاری، عدم مراقبت کامل از ابزارهای برقی می باشد.

◀ **ابزار برش را تیز و تمیز نگه دارید.** ابزار برشی که خوب مراقبت شده و از لبه های تیز برخوردار است، کمتر در قطعه کار گیر کرده و بهتر قابل هدایت است.

◀ **ابزار برقی، متعلقات، منتهای دستگاه و غیره را مطابق دستورات این جزوه راهنما به کار گیرید و به شرایط کاری و نوع کار نیز توجه داشته باشید.** استفاده از ابزار برقی برای عملیاتی به جز مقاصد در نظر گرفته شده، میتواند به بروز شرایط خطرناک منجر شود.

◀ **دستها و سطوح عایق را همواره خشک، تمیز و عاری از روغن و گریس نگه دارید.** دسته های لغزنده مانع ایمنی و کنترل در کار در شرایط غیر منتظره هستند.

#### مراقبت و طرز استفاده از ابزارهای شارژی

◀ **باتریها را منحصراً توسط شارژرهایی که توسط سازنده توصیه شده اند، شارژ کنید.** در صورتی که برای شارژ باتری، آنرا در شارژری قرار دهید که برای آن باتری ساخته نشده است، خطر آتش سوزی وجود دارد.

◀ **در ابزارهای برقی فقط از باتریهایی استفاده کنید که برای آن نوع ابزار برقی در نظر گرفته شده اند.** استفاده از باتریهای مترقیه میتواند منجر به بروز جراثیم و حریق گردد.

◀ **در صورت عدم استفاده از باتری باید آنرا از گیره های فلزی، سکه، کلید، میخ، پیچ و دیگر**

**برش فارسی جهت گذاشتن یا راندن قطعه کار استفاده کنید.** دست آزاد یعنی قرار دادن و راندن قطعه کار با دست به جای استفاده از ریل نگهدارنده موازی یا ریل نگهدارنده زاویه برش فارسی. کار با دست آزاد باعث بروز خطا در هدایت متعادل، گیر کردن یا پس زدن دستگاه می شود.

◀ **هرگز بالا یا دور تیغه اره در حال چرخش را نگیرید.** دست زدن به قطعه کار موجب تماس ناخواسته با تیغه اره در حال چرخش می شود.

◀ **قطعه کارهای دراز یا پهن را در انتها با یک تکیه گاه تثبیت کنید تا به حالت افقی باقی بمانند.** قطعه کارهای دراز و پهن در لبه میز کار آویزان می شوند، این باعث از دست دادن کنترل، گیر کردن یا پس زدن دستگاه می شود.

◀ **قطعه کار را با سرعت یکنواخت به جلو برانید.** قطعه کار را خم نکنید، نیچانید یا از سمتی به سمت دیگر نچرخانید. چنانچه ابزار گیر کرد، آن را فوراً خاموش کنید، دوشاخه را بیرون بکشید، سپس مشکل را بر طرف کنید. گیر کردن تیغه اره در قطعه کار ممکن است باعث پس زدن دستگاه یا بلوکه شدن موتور شود.

◀ **قطعه اره شده را در حین کار موتور بردارید.** قطعه اره شده ممکن است بین تیغه اره و ریل نگهدارنده یا در حفاظ گیر کند و هنگام برداشتن، انگشتان شما را به طرف تیغه اره بکشاند. ابزار را خاموش کنید و قبل از اینکه قطعه کار را بردارید، صبر کنید تا تیغه اره به طور کامل بایستد.

◀ **جهت انجام برش طولی در قطعه کارهای دارای کمتر از قطر 2 میلیمتر از یک ریل نگهدارنده اضافی که با سطح میز تماس دارد، استفاده کنید.** قطعه کارهای نازک تر ممکن است زیر ریل نگهدارنده موازی گیر کنند و باعث پس زدن دستگاه شوند.

**پس زدن دستگاه و هشدارهای ایمنی**  
ضربه زدن یا پس زدن يك واکنش ناگهانی است که در نتیجه گیر کردن و یا بلوکه شدن تیغه اره یا انجام برش با تیغه اره که در قطعه کار، یا قرار گرفتن قسمتی از قطعه کار بین تیغه اره یا ریل نگهدارنده موازی یا جسم دیگر بلوکه شده رخ می دهد.  
هنگام پس زدن در بیشتر موارد، قطعه کار از قسمت عقبی تیغه اره گرفته می شود، از میز بلند و به طرف کاربر پرتاب می شود.

پس زدن نتیجه استفاده نادرست از تیغه اره و/یا روشها یا شرایط کاری غیر صحیح است و با رعایت اقدامات ایمنی مناسب به شرح زیر میتوان از آن جلوگیری بعمل آورد.

◀ **هرگز در یک خط مستقیم با تیغه اره نایستید.** همیشه در کنار ابزار بایستید، جایی که ریل نگهدارنده هم قرار دارد. هنگام پس زدن، اجسام ممکن است با سرعت زیاد به طرف کاربر پرتاب شوند که در خط مستقیم با تیغه اره ایستاده اند.

◀ **هرگز از بالا یا عقب تیغه اره، قطعه کار را نکشید یا به آن تکیه نکنید.** ممکن است تماس ناخواسته با تیغه اره برقرار شود یا پس زدن

تماسی نداشته باشد. تماس اشتباهی با این قسمتها ممکن است منجر به بروز وضعیت خطرناکی گردد.

◀ **گوه را مطابق دستورالعملهای این دفترچه راهنما تنظیم کنید.** فاصله اشتباه، نحوه قرارگیری نادرست و عدم هم محوری گوه، میتواند کارایی آن را در جلوگیری از پس زدن دستگاه بی اثر کند.

◀ **جهت کارکرد صحیح گوه، بایستی گوه در قطعه کار درگیر شود.** در مورد برش های کم عمق که گوه با قطعه کار درگیر نمی گردد، گوه بی تأثیر است. در این شرایط، گوه نمی تواند مانع پس زدن دستگاه شود.

◀ **از تیغه اره متناسب با گوه استفاده کنید.** جهت کارایی مؤثر گوه، بایستی تیغه اره با گوه مربوط متناسب باشد، پایه تیغه اره بایستی نازک تر از گوه و عرض دندانها بیشتر از قطر گوه باشد.

**دستورات ایمنی برای نحوه اره کاری**

◀ **هرگز با انگشت ها و یا دستان خود نزدیک تیغه اره یا محدوده اره کاری نشوید.** یک لحظه غفلت یا شر خوردن می تواند دست شما را به طرف تیغه اره براند و منجر به بروز جراحات جدی شود.

◀ **قطعه کار را در خلاف جهت چرخش تیغه اره یا ابزار برش حرکت دهید.** راندن قطعه کار در جهت چرخش تیغه اره بالای میز، می تواند منجر به کشیده شدن قطعه کار و دست شما به طرف تیغه اره شود.

◀ **در مورد برشهای طولی با زاویه برش فارسی هرگز از ریل نگهدارنده جهت راندن قطعه کار استفاده نکنید و در مورد برشهای مورب به کمک ریل نگهدارنده زاویه برش فارسی هرگز از ریل نگهدارنده موازی برای تنظیم طول استفاده نکنید.** راندن همزمان ریل نگهدارنده موازی و ریل نگهدارنده زاویه برش فارسی ممکن است احتمال گیر کردن تیغه اره و پس زدن دستگاه را افزایش دهد.

◀ **هنگام برش طولی، همیشه تماس کامل قطعه کار را با ریل نگه دارنده حفظ کنید و همیشه فشار لازم برای جلو بردن قطعه کار را به قسمت بین ریل نگه دارنده و تیغه اره وارد کنید.** اگر فاصله تیغه اره و ریل نگه دارنده کمتر از 150 mm است از یک چوب جلو برنده و اگر کمتر از 50 mm است از یک بلوک جلو برنده استفاده کنید. "وسایل کمکی" کار، باعث رعایت فاصله ایمنی دست شما از تیغه اره می شود.

◀ **تنها از قطعه کمکی ارسالی شرکت یا قطعه کمکی متناسب جهت راندن قطع کار استفاده کنید.** این قطعه کمکی فاصله بین دست شما و تیغه اره را تضمین می کند.

◀ **هرگز از چوب جلو برنده آسیب دیده یا پریده شده استفاده نکنید.** چوب جلو برنده آسیب دیده یا پریده شده ممکن است بشکند و باعث لغزیدن دست شما به سمت تیغه اره شود.

◀ **هرگز با دست آزاد کار نکنید.** همیشه از ریل نگهدارنده موازی یا ریل نگهدارنده زاویه

- دستگاه منجر به کشیده شدن انگشتان شما به طرف تیغه اره گردد.
- ❖ **قطعه کار در حال اره شدن را هرگز در مقابل تیغه اره چرخان نگه ندارید یا فشارید.** فشردن قطعه کار در حال اره شدن به طرف تیغه اره منجر به گیر کردن و پس زدن دستگاه می شود.
- ❖ **ریل نگهدارنده را به صورت موازی نسبت به تیغه اره بگیرید.** ریل نگهدارنده درست تنظیم نشده، قطعه کار را به طرف تیغه اره فشار می دهد و باعث پس زدن دستگاه می شود.
- ❖ **برای برشهای بدون دید کافی، مانند شیار زنی، جهت راندن قطعه کار به طرف میز و ریل نگهدارنده از یک شانه فشار استفاده کنید.** توسط یک شانه فشار می توانید قطعه کار را در حین پس زدن بهتر کنترل کنید.
- ❖ **سطوح و قطعات بزرگ را خوب مهار کنید تا خطر پس زدن و یا گیر کردن تیغه اره کاهش یابد.** قطعات پهن و بزرگ ممکن است تحت تأثیر وزن خود خم شوند. این قطعات پهن بایستی هر جا که از سر میز بیرون زده اند مجهز به تکیه گاه شوند.
- ❖ **هنگام اره کردن قطعاتی که چرخیده اند، گره خورده اند، کج شده اند یا بدون لبه صاف می باشند که بتوان آنها را از آن لبه به کمک نگهدارنده زاویه برش فارسی یا در امتداد ریل نگهدارنده حرکت داد، بسیار احتیاط کنید.** قطعات کج شده یا گره خورده دارای ثبات نیستند و منجر به بروز خطا در انجام برش صاف با تیغه اره، پس زدن یا گیر کردن می شوند.
- ❖ **هرگز چند قطعه کار پشت سر هم قرار داده شده را اره نکنید.** تیغه اره ممکن است یک یا چند قطعه را بگیرد و باعث پس زدن شود.
- ❖ **هنگام روشن کردن مجدد اره در داخل قطعه کار، تیغه اره را در وسط شکاف برش قرار دهید، به طوری که دندانهای تیغه اره در قطعه کار درگیر نشود.** در صورت گیر کردن تیغه اره، ممکن است هنگام روشن کردن مجدد دستگاه، قطعه کار بیرون بیاید یا دستگاه پس بزند.
- ❖ **تیغه اره ها را تمیز، تیز نگهدارید و به چپ راست بودن دندان توجه کنید.** هرگز از تیغه اره های کج شده، شکسته یا ترک دار استفاده نکنید. تیغه اره های تیز و دارای دندان های چپ راست، خطر بلوکه شدن و پس زدن را کاهش می دهند.
- دستورات ایمنی برای کار با اره های میزی گردبُر**
- ❖ **هنگام جدا کردن ابزار از میز، تعویض تیغه اره، انجام تنظیمات روی گوه یا حفاظ تیغه اره یا بدون نظارت رها کردن دستگاه، دستگاه را خاموش کنید و بسته باتری را درآورید.** اقدامات ایمنی برای جلوگیری از بروز سوانح می باشند.
- ❖ **هرگز دستگاه را بدون نظارت روشن نگذارید.** دستگاه را خاموش کنید و قبل از ایست
- کامل از دستگاه دور نشوید.** دستگاه روشن یک خطر غیر قابل کنترل است.
- ❖ **اره میزی گردبُر را در جایی قرار دهید که دارای نور کافی است و شما می توانید مطمئن بایستید و تعادل داشته باشید.** محل قرارگیری بایستی جادار باشد تا بتوان با قطعات بزرگ هم راحت کار کرد. بی نظمی، کمبود نور در محوطه کار، سطوح ناصاف و لغزنده، ممکن است منجر به بروز حادثه شوند.
- ❖ **تراشه ها و خاک اره را از زیر میز اره یا سیستم مکش به طور منظم جمع کنید.** خاک اره جمع شده قابل اشتعال است و ممکن است خود به خود آتش بگیرد.
- ❖ **اره میزی گردبُر را تثبیت کنید.** اره میزی گردبُر که مطابق دستورالعمل تثبیت نشده باشد ممکن است تکان بخورد یا واژگون شود.
- ❖ **قبل از روشن کردن دستگاه، ابزار آلات تنظیم، بقایای چوب و غیره را از روی اره میزی گردبُر بردارید.** حواس پرتی یا گیر کردن در دستگاه ممکن است خطرات فرین باشند.
- ❖ **همواره از تیغه های دارای اندازه و سوراخ نگهدارنده مناسب (مثلا شکل گرد یا لوزی) استفاده کنید.** تیغه ارههایی که با قطعههای قابل مونتاژ اره متناسب نباشند، به صورت غیر مدور حرکت میکنند و باعث از دست دادن کنترل میشوند.
- ❖ **هرگز از ابزارهای مونتاژ تیغه اره آسیب دیده یا اشتباهی مانند فلائز، واشر تیغه اره، پیچ یا مهره استفاده نکنید.** این ابزارهای مونتاژ تیغه اره، مخصوص اره شما برای کار امن و بازدهی بالا طراحی شده اند.
- ❖ **هرگز روی دستگاه نایستید یا از آن به عنوان چهارپایه استفاده نکنید.** امکان بروز جراحات جدی وجود دارد، اگر دستگاه واژگون شود یا ناخواسته با تیغه اره تماس برقرار گردد.
- ❖ **از نصب بودن تیغه اره در جهت چرخش صحیح مطمئن شوید.** از کاغذ سنباده یا برس های سیمی همراه با اره میزی گردبُر استفاده نکنید. عدم نصب تیغه اره مطابق دستورالعمل یا کاربرد متعلقات توصیه نشده ممکن است باعث بروز جراحات جدی گردد.
- سایر راهنماییهای ایمنی**
- ❖ **به هنگام مونتاژ تیغه اره از دستکش ایمنی استفاده کنید.** خطر جراحت وجود دارد.
- ❖ **از تیغه ارههای فولادی HSS استفاده نکنید.** اینگونه تیغه های اره ممکن است سریع بشکنند.
- ❖ **فقط از تیغه های اره ای استفاده کنید که دارای مشخصات و ارقام فنی مندرج در این دفترچه راهنما باشند و طبق استاندارد EN 847-1 کنترل و آزمایش شده و مطابق آن علامتگذاری شده باشند.**
- ❖ **هرگز برقی را بدون میز مونتاژ بکار نبرید.** میز مونتاژ آسیب دیده را تعویض کنید. بدون میز مونتاژ کاملاً سالم و بدون ایراد، ممکن است تیغه اره به شما آسیب برساند.

### علایم و مفهوم آنها

**از گوشی ایمنی استفاده کنید.** صدای بلند ممکن است به شنوایی شما آسیب برساند.

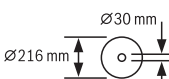


**از عینک ایمنی استفاده کنید.**

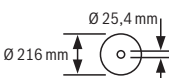


به ابعاد تیغه اره توجه کنید. قطر سوراخ باید بدون لقی با محور ابزار مطابق باشد. چنانچه به قطعات تبدیل نیاز است، دقت کنید که ابعاد قطعه تبدیل با ضخامت تیغه اره و قطر سوراخ تیغه اره متناسب باشد. در صورت همانند قطر محور ابزار امکان از قطعات تبدیل ارسالی همراه با تیغه اره استفاده کنید.

**3 601 M44 000**  
**3 601 M44 0K0**  
**3 601 M44 040**



**3 601 M44 0B0**

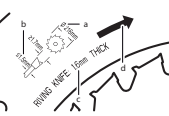


قطر تیغه اره باید با مقدار ذکر شده روی علامت تطابق داشته باشد.

**a** قطر تیغه اره نباید از 216 mm تجاوز کند.

**3 601 M44 000**  
**3 601 M44 0K0**  
**3 601 M44 040**

**b** هنگام تعویض تیغه اره دقت کنید که عرض برش کمتر از 1,7 mm و ضخامت پایه تیغه اره بیشتر از 1,5 mm نباشد. در غیر این صورت خطر گیر کردن محافظ تیغه در قطعه کار وجود دارد.



**c** ضخامت محافظ تیغه 1,6 mm است.

**d** جهت برش دندانها (جهت فلش روی تیغه اره) باید با جهت فلش روی محافظ تیغه مطابق باشد.

**a** قطر تیغه اره نباید از 216 mm تجاوز کند.

**3 601 M44 0B0**

**b** هنگام تعویض تیغه اره دقت کنید که عرض برش کمتر از 2,3 mm و ضخامت پایه تیغه اره بیشتر از 2,1 mm نباشد. در غیر این صورت خطر گیر کردن محافظ تیغه در قطعه کار وجود دارد.



**c** ضخامت محافظ تیغه 2,2 mm است.

**d** جهت برش دندانها (جهت فلش روی تیغه اره) باید با

◀ **محل کار را تمیز نگهدارید.** ترکیبات مواد بسیار خطرناک هستند. گرد فلز سبک ممکن است آتش بگیرد یا منفجر شود.

◀ **تیغه اره ای مناسب با قطعه انتخاب کنید.**

◀ **فقط از تیغه های اره ای استفاده کنید که توسط سازنده این ابزار برقی توصیه شده است و همچنین برای جنس قطعه کار مورد نظر مناسب باشد.**

◀ **قطعهکار را فقط به طرف اره در حال کار برانید.** در غیر اینصورت خطر پس زدن وجود دارد، چنانچه تیغه اره در قطعه کار گیر کند.

◀ **در صورتیکه باتری آسیب دیده باشد و یا از آن بطور بی رویه استفاده شود، ممکن است از باتری بخارهایی بلند شود. باتری ممکن است آتش بگیرد یا منفجر شود.** در این حالت هوای محیط را تازه کنید؛ اگر احساس ناراحتی کردید، به پزشک مراجعه نمایید. استنشاق این بخارها ممکن است به مجاری تنفسی شما آسیب برساند.

◀ **باتری را باز نکنید.** خطر اتصال کوتاه وجود دارد.

◀ **بوسیله ی اشیاء تیز مانند میخ یا پیچگوشتی یا تأثیر نیروی خارجی ممکن است باتری آسیب ببیند.** ممکن است اتصالی داخلی رخ دهد و باتری آتش گیرد، دود کند، منفجر شود یا بیش از حد داغ گردد.

◀ **تنها از باتری برای محصولات تولیدی شرکت استفاده کنید.** فقط در اینصورت باتری در برابر خطر اعمال فشار بیش از حد محافظت میشود.

◀ **باتری را در برابر حرارت، از جمله در برابر تابش مداوم خورشید و همچنین در برابر آتش، آلودگی، آب و رطوبت محفوظ بدارید.** خطر اتصالی و انفجار وجود دارد.



### علایم

علایم و نماد های زیر و معانی آنها میتوانند برای کار و استفاده از ابزار برقی شما پر اهمیت باشند. لطفاً این علایم و مفهوم آنها را خوب بخاطر بسپارید. تفسیر صحیح این علایم به شما کمک میکند که ابزار برقی را بهتر و مطمئن تر مورد استفاده قرار بدهید.

### علایم و مفهوم آنها

**هنگامی که ابزار برقی در حال کار است، دست های خود را در محدوده اره قرار ندهید.** در صورت تماس با تیغه اره، خطر آسیب دیدگی وجود دارد.



**از ماسک ایمنی تنفس در برابر گرد و غبار استفاده کنید.**



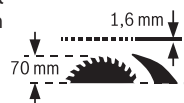
- (1) درجه بندی برای فاصله تیغه اره تا گونیای موازی
- (2) راهنمای زاویه برش
- (3) قاب محافظ
- (4) محافظ تیغه
- (5) گونیای موازی
- (6) کشویی بسط میز اره
- (7) راهنمای زاویه برش
- (8) سوراخ های نصب
- (9) آچار رینگی (23 mm; 13 mm)
- (10) آچار آلن (5 mm)
- (11) گیره جهت نگهداری قاب محافظ
- (12) پیشران قطعه کار
- (13) اهرم مهار برای کشویی بسط میز اره
- (14) چرخک دستی
- (15) میل لنگ برای بالا و پایین آوردن تیغه اره
- (16) کلید روشن/خاموش
- (17) باتری قابل شارژ<sup>a)</sup>
- (18) نگهدارنده برای زاویه مورب 45° (عمودی)
- (19) درجه بندی زاویه مورب (عمودی)
- (20) اهرم قفل برای تنظیم زاویه مورب عمودی
- (21) نشانگر زاویه (عمودی)
- (22) نگهدارنده برای زاویه مورب 0° (عمودی)
- (23) میز اره
- (24) پیچ تنظیم برای کشیدگی گونیای موازی
- (25) یدکی میز
- (26) تیغه اره
- (27) شیار راهنما برای گونیای موازی
- (28) دکمه آزاد سازی قفل باتری قابل شارژ<sup>a)</sup>
- (29) دسته حمل و نقل
- (30) شیار راهنما برای راهنمای زاویه برش
- (31) آداپتور دستگاه مکش
- (32) شیار V شکل روی میز اره برای گونیای موازی
- (33) توری کف
- (34) پیچ قفل کننده توری کف
- (35) علامت های اهرم نگهدارنده/گیره
- (36) محافظ تیغه
- (37) پین های تعیین وضعیت برای محافظ تیغه
- (38) پیچ قفل کننده یدکی میز
- (39) اهرم نگهدارنده قاب محافظ
- (40) پین های راهنمای قاب محافظ
- (41) اهرم مهار برای گونیای موازی
- (42) راهنمای V شکل گونیای موازی
- (43) یدکی گونیای موازی
- (44) بسته اتصال "یدکی گونیای موازی"
- (45) ریل راهنما برای راهنمای زاویه برش
- (46) پوشش پائینی تیغه اره
- (47) لاستیک پوشش پائینی تیغه اره

## علائم و مفهوم آنها

جهت فلش روی محافظ تیغه مطابق باشد.

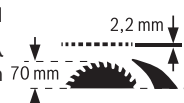
3 601 M44 000  
3 601 M44 0K0  
3 601 M44 040

ضخامت محافظ تیغه 1,6 mm است.  
حداکثر ارتفاع قطعه کار 70 mm است.



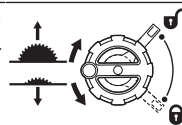
3 601 M44 0B0

ضخامت محافظ تیغه 2,2 mm است.  
حداکثر ارتفاع قطعه کار 70 mm است.



### طرف چپ:

جهت چرخش میل لنگ به پایین (حالت حمل و نقل) و به بالا (حالت کار) تیغه اره را نشان می دهد.



### طرف راست:

وضعیت اهرم قفل کننده را برای تثبیت تیغه اره و تنظیم زاویه مورب عمودی (تیغه اره قابل چرخش) نشان می دهد.

تولید کننده توسط علامت CE مطابقت ابزار برقی را با مقررات معتبر اروپا تأیید می کند.



## توضیحات محصول و کارکرد

**همه دستورات ایمنی و راهنماییها را بخوانید.** اشتباهات ناشی از عدم رعایت این دستورات ایمنی ممکن است باعث برقگرفتگی، سوختگی و یا سایر جراثیم های شدید شود.



به تصویرهای واقع در بخشهای اول دفترچه راهنما توجه کنید.

### موارد استفاده از دستگاه

این ابزار برقی بعنوان یک دستگاه ثابت، برای انجام برشهای طولی و مورب یا مسیر برش مستقیم، در چوب سخت و نرم و همچنین نئوپان و تخته های چندلایه در نظر گرفته شده است. در این حین زاویه مورب افقی از -30° تا +30° و نیز زاویه مورب عمودی از 0° تا 45° ممکن می باشند.

در صورت استفاده از تیغه اره های مناسب، برش پروفیلهای آلومینیوم و پلاستیک امکان پذیر است.

### تصاویر اجزاء دستگاه

شماره گذاری تصاویر اجزاء دستگاه بر اساس شکل ابزار برقی در صفحه تصاویر است.

- (48) سوراخ برای بلند کردن یدکی میز  
 (49) مهره مهر  
 (50) اهرم قفل محور  
 (51) فلائز مهر  
 (52) فلائز گیرنده  
 (53) محور ابزار  
 (54) پیچ تثبیت برای زاویه مورب دلخواه (افقی)  
 (55) نشانگر زاویه روی راهنمای زاویه برش  
 (56) نشانگر درجه بندی  
 (57) نشانگر فاصله میز اره  
 (58) پیچ چهارسو برای تنظیم نگهدارنده 0°  
 (59) پیچ نشانگر زاویه (عمودی)  
 (60) پیچ چهارسو برای تنظیم نگهدارنده 45°
- (61) پیچ های آلن (5 mm) جلو برای تنظیم موازی بودن تیغه اره  
 (62) پیچ های آلن (5 mm) پشت برای تنظیم موازی بودن تیغه اره  
 (63) پیچ برای نشانگر فاصله میز اره  
 (64) پیچ های آلن (5 mm) جهت تنظیم موازی بودن گونبای موازی  
 (65) پیچ نشانگر فاصله گونبای موازی  
 (66) پیچ های تنظیم برای یدکی میز  
 (67) محل نگهداری پیشران قطعه کار  
 (68) محل نگهداری آچار آلن  
 (69) محل نگهداری آچار رینگ
- (a) کلیه متعلقاتی که در تصویر و یا در متن آمده است، بطور معمول همراه دستگاه ارائه نمیشود. لیست کامل متعلقات را در برنامه متعلقات ما می یابید.

### مشخصات فنی

GTS 18V-216		GTS 18V-216		اره گرد رومیزی
3 601 M44 0B0		3 601 M44 000 3 601 M44 040 3 601 M44 0K0		شماره فنی
18	18	=V		ولتاژ نامی
4500	4500	min <sup>-1</sup>		تعداد دور در حالت بدون بار <sup>(A)</sup>
●	●			محدودیت جریان برق راه اندازی
20,5-21,6	20,5-21,6	kg		وزن مطابق با استاندارد EPTA- Procedure 01:2014 <sup>(B)</sup>
35+...0	35+...0	°C		دمای توصیه شده محیط هنگام شارژ
50+...20-	50+...20-	°C		دمای مجاز محیط هنگام کار <sup>(C)</sup> و هنگام انبار کردن
GBA 18V... ...ProCORE18V	GBA 18V... ...ProCORE18V			باتری های قابل شارژ سازگار
ProCORE18V... ≥ 5,5 Ah	ProCORE18V... ≥ 5,5 Ah			باتری های قابل شارژ توصیه شده برای توان کامل
GAL 18... GAX 18... ...GAL 36	GAL 18... GAX 18... ...GAL 36			شارژرهای توصیه شده
				ابعاد (با احتساب اجزاء جداشدنی دستگاه)
553 x 332 x 658	553 x 332 x 658	mm		عرض × عمق × ارتفاع
				اندازه تیغه اره های مناسب
216	216	mm		قطر تیغه اره
2,1-1,5	1,5>	mm		ضخامت تیغه اره
2,3<	1,7<	mm		حداقل ضخامت و اندازه دندانه تیغه اره
25,4	30	mm		قطر سوراخ

(A) اندازه گیری شده در دمای °C 20-25 با باتری قابل شارژ ProCORE18V 12.0Ah

(B) بسته به نوع باتری کاربردی

(C) توان محدود برای دمای °C 0 <

بیشینه اندازه های قطعه کار (رجوع کنید به „بیشینه اندازه های قطعه کار“، صفحه 189)

مقادیر ممکن است بسته به محصول متفاوت باشند و بستگی به شرایط استفاده و محیطی دارند. اطلاعات بیشتر را در سایت [www.bosch-professional.com/wac](http://www.bosch-professional.com/wac) مشاهده نمایید.

ظرفیت	LED
2 عدد چراغ سبز ممتد	30-60 %
1 عدد چراغ سبز ممتد	5-30 %
1 عدد چراغ سبز چشمک زن	0-5 %

### نوع باتری ProCORE18V...



ظرفیت	LED
5 عدد چراغ سبز ممتد	80-100 %
4 عدد چراغ سبز ممتد	60-80 %
3 عدد چراغ سبز ممتد	40-60 %
2 عدد چراغ سبز ممتد	20-40 %
1 عدد چراغ سبز ممتد	5-20 %
1 عدد چراغ سبز چشمک زن	0-5 %

### توضیحات و تذکراتی برای نحوه بهینه کار با باتری

باتری را در برابر رطوبت و آب حفظ کنید. باتری را منحصرأ در دمای بین -20 تا 50 درجه نگهداری کنید. بطور مثال باتری را در تابستان داخل اتومبیل نگذارید.

گاهبگاه شیارهای تهویه باتری را بوسیله یک قلم موی یا برس کوچک نرم و خشک تمیز کنید. افیت قابل توجه مدت زمان کارکرد باتری که تازه شارژ شده است، نمایانگر آن است که باتری فرسوده و مستعمل شده و باید تعویض شود. به نکات مربوط به نحوه از رده خارج کردن باتری توجه کنید.

### نصب

قبل از انجام هر گونه کاری با ابزار برقی (از جمله سرویس، تعویض ابزار و غیره) و همچنین به هنگام حمل و نقل و یا در انبار نگهداری کردن، باتری را از داخل ابزار برقی خارج کنید. در صورت تماس اتفاقی با کلید قطع و وصل، خطر آسیب دیدگی وجود دارد.

### محتویات ارسالی

پیش از اینکه این ابزار برقی را برای اولین بار مورد استفاده قرار دهید، کنترل کنید که آیا قطعات مندرج زیر بطور کامل ارسال شده اند:

- اره گرد رومیزی با تیغه اره نصب شده (26) و محافظ تیغه (4)
- راهنمای زاویه برش (2)
- گونیای موازی (5)
- گونیای موازی بدکی (43)
- مجموعه اتصال "گونیای موازی بدکی" (44) (2) پیچ اتصال، 2 واشر، 2 مهره خروسکی)
- قاب محافظ (3)
- آچار آلن (10)

## باتری قابل شارژ

**Bosch** ابزارهای برقی شارژی را هم بدون باتری قابل شارژ می فروشد. در بسته بندی می توانید دریابید که آیا باتری قابل شارژ در محتویات ارسالی ابزار برقی شما وجود دارد یا خیر.

### شارژ کردن باتری قابل شارژ

تنها شارژرهای ذکر شده در مشخصات فنی را بکار برید. تنها این دستگاه های شارژ با باتری های لیتیوم-یونی (Li-Ion) ابزار برقی شما منطبق میباشند.

**نکته:** باتری های قابل شارژ لیتیوم یونی به دلیل قوانین حمل و نقل بین المللی به صورت نیمه شارژ تحویل داده می شوند. برای دست یافتن به توان کامل باتری قابل شارژ، قبل از به کارگیری آن برای اولین بار، باتری را به طور کامل شارژ کنید.

### نحوه قرار دادن باتری قابل شارژ

باتری شارژ شده را به داخل محفظه باتری قابل شارژ برانید تا جا بیفتد.

**Bosch** استفاده از باتریهای دارای حداقل ظرفیت 3,0 آمپرساعت را توصیه میکند.



### نحوه برداشتن باتری قابل شارژ

برای برداشتن باتری قابل شارژ، دکمه های آزادسازی باتری را فشار دهید و آن را خارج کنید. **هنگام انجام این کار از اعمال فشار خودداری کنید.**

باتری قابل شارژ دارای 2 مرحله قفل می باشد که مانع از بیرون افتادن باتری قابل شارژ در اثر فشار ناخواسته روی دکمه آزادسازی باتری می شود. تا زمانی که باتری قابل شارژ داخل ابزار برقی قرار داشته باشد، توسط یک فنر در موقعیت خود نگه داشته می شود.

### نشانهگر وضعیت شارژ باتری

چراغهای سبز LED نشانگر وضعیت شارژ باتری، وضعیت شارژ باتری را نشان میدهند. به دلایل ایمنی، فوراخوانی وضعیت شارژ باتری تنها در حالت توقف ابزار برقی ممکن است.

دکمه را جهت پدیدار شدن نشانگر وضعیت شارژ یا وضعیت شارژ فشار دهید. این کار هنگامی که باتری برداشته شده باشد نیز ممکن است.

چنانچه پس از فشردن دکمه نشانگر وضعیت شارژ هیچ LED روشن نشود، باتری خراب است و باید تعویض گردد.

### نوع باتری GBA 18V...



ظرفیت	LED
3 عدد چراغ سبز ممتد	60-100 %



- آچار رینگ (9) دارای نوک پیچگوشی چهارسو
- پیشران قطعه کار (12)
- یدکی میز (25)

**نکته:** ابزار برقی را از نظر هر گونه آسیب دیدگی احتمالی کنترل کنید.

قبل از ادامه کار با ابزار برقی، کلیه تجهیزات ایمنی را از نظر قابلیت کامل انجام کار کنترل کنید. هر گونه آسیب دیدگی قطعات را باید از لحاظ عملکرد بدون ایراد و مطابق با دستورات مقرر برای کاربرد ابزار برقی به دقت بررسی کنید. کنترل کنید که آیا قطعات متحرک بدون عیب و نقص هستند و گیر نمی کنند و قطعات آسیب قطعات دیده نیستند. همه قطعات باید به درستی مونتاژ شده و دارای شرایط لازم باشند، تا تضمینی برای عملکرد صحیح و بدون ایراد دستگاه وجود داشته باشد.

### ابزارهای مورد نیاز علاوه بر محتویات ارسالی:

- پیچ گوشی چهارسو
- گونیای تاشو

### نصب اجزاء تکی

- با احتیاط بسته بندی ها را از دستگاه برقی و قطعات متعلقه و ملحقات ارسالی جدا کنید.
- همه بسته بندی ها را از دستگاه برقی و قطعات متعلقه و ملحقات ارسالی جدا کنید.
- پیچ های قفل کننده (34) را با نوک آچار رینگ (9) را تا انتها در جهت چرخش "قفل باز" بچرخانید و توری کف (33) (رجوع کنید به تصویر a) را باز کنید.
- روکش بسته بندی زیر واحد موتور را جدا کنید.

مستقیم روی بدنه، این اجزاء قرار دارند: میله نگهدارنده (12)، آچار رینگ (9) آچار آلن (10)، خطکش راهنمای موازی (5)، نقاله (2)، آداپتور مکش (31)، کمکی خطکش راهنمای موازی (43) با بسته اتصال (44)، روکش محافظ (3).

- به محض نیاز به یکی از این اجزاء، آن را با احتیاط از بخش نگهدارنده بردارید.

### تنظیم محافظ تیغه (رجوع کنید به تصاویر b1-b2)

**نکته:** در صورت لزوم پیش از تنظیم، تمام قطعات نصب را تمیز کنید.

- میل لنگ (15) را در جهت حرکت عقربه های ساعت تا انتها طوری بچرخانید که تیغه اره (26) در بالاترین حالت ممکن روی میز اره قرار گیرد.
- اهرم نگهدارنده (36) را در جهت عقربه های ساعت تا زمانی که بالا را نشان دهد، شل کنید.
- محافظ تیغه (4) را به طرف اهرم نگهدارنده (36) برانید تا خود به طرف بالا کشیده شود.
- محافظ تیغه را کاملاً به طرف بالا بکشید تا دقیقاً روی وسط تیغه اره قرار گیرد.
- بگذارید هر دو پین (37) در سوراخ های زیرین روی محافظ تیغه جا بیافتند و اهرم نگهدارنده (36) را دوباره محکم بکشید.
- علامت گذاری (35) روی گیره و اهرم نگهدارنده (36) باید مطابق آنچه نشان داده شد، تراز شود.

### نصب صفحه زیر کار (رجوع شود به تصویر c)

- صفحه زیر کار (25) را روی محافظ تیغه (4) در جعبه ابزار قرار دهید.
- پیچ قفل کننده (38) را با نوک آچار رینگ (9) تا انتها در جهت چرخش "قفل بسته" بچرخانید.
- بخش جلویی صفحه زیر کار (25) باید کاملاً همسطح یا کمی زیر میز اره باشد، قسمت عقب باید همسطح یا کمی بالا نسبت به میز اره باشد.

### نصب روکش محافظ (رجوع کنید به تصاویر d1-d2)

**نکته:** روکش محافظ را تنها وقتی نصب کنید که گوه در بالاتری حالت دقیقاً روی مرکز تیغه اره قرار گرفته باشد (رجوع کنید به تصویر b2). روکش محافظ را در صورت قرار گرفتن گوه در پایین ترین حالت ممکن نصب نکنید (حالت ارسالی یا حالت شیار انداختن) (رجوع کنید به تصویر b1).

- اهرم (39) را باز کنید و روکش محافظ (3) را از گیره نگهدارنده (11) بیرون بکشید.
- محافظ تیغه اره (ریل فلزی بالایی) روکش محافظ (3) را با یک دست و با دست دیگر، اهرم (39) را به طرف بالا نگهدارید.
- پین های راهنما (40) را به عقب در شیار گوه (4) برانید.
- روکش محافظ (3) را به پایین برانید تا محافظ تیغه اره (ریل فلزی بالایی) موازی نسبت به سطح میز اره (23) قرار گیرد.
- اهرم نگهدارنده (39) را به پایین فشار دهید.
- اهرم بایستی به طور محسوس و همراه با صدا جا بیافتد و روکش محافظ (3) محکم و مطمئن نصب باشد.

◀ قبل از هر بار استفاده از آزادانه حرکت کردن روکش محافظ مطمئن شوید. در صورتی که روکش محافظ آزادانه حرکت نمی کند یا سریع بسته نمی شود از ابزار برقی استفاده نکنید.

### نصب خطکش راهنمای موازی (رجوع شود به تصویر e)

- خطکش راهنمای موازی (5) را می توان به چپ یا راست تیغه اره تغییر داد.
- اهرم نگهدارنده (41) خطکش راهنمای موازی (5) را باز کنید. اینگونه راهنمای V شکل (42) آزاد می شود.
- ابتدا خطکش راهنمای موازی را با راهنمای V شکل در شیار راهنمای (32) تیغه اره قرار دهید.
- خطکش راهنمای موازی را در شیار راهنمای جلویی (27) میز اره قرار دهید.
- حال می توان خط کش راهنمای موازی را در وضعیت مورد نظر حرکت داد.
- برای تثبیت خطکش راهنمای موازی، دسته مهار (41) را به پایین برانید.

### نصب کمکی خطکش راهنمای موازی (رجوع شود به تصویر f)

- برای اره کردن قطعه کارهای باریک و اره کردن با زاویه برش فارسی عمودی بایستی کمکی خط کش راهنمای موازی (43) را به خط کش راهنمای موازی (5) وصل کنید.
- کمکی خطکش راهنمای موازی را می توان بر حسب

- نیاز به چپ یا راست خطکش راهنمای موازی (5) نصب کرد.
- برای نصب از بسته اتصال „کمکی خطکش راهنمای موازی“ (44) (2 پیچ اتصال، 2 واشر، 2 مهره پروانه ای) استفاده کنید.
- پنجهای اتصال را از میان سوراخ های کناری روی خطکش راهنمای موازی (5) عبور دهید.
- همزمان سر پیچ های فوق بعنوان ریل هادی یا راهنمای حرکت خط کش کمکی عمل می کنند.
- کمکی خطکش راهنمای موازی (43) را روی سرهای پیچ های اتصال برانید.
- واشرها را روی پیچ های اتصال قرار بدهید و پیچ ها را بوسیله پیچ پروانه ای محکم کنید.

### نصب نقاله (رجوع شود به تصویر g)

- ریل (45) نقاله (2) را در یکی از شیارهای راهنمای مربوط (30) در میز اره برانید.

### نحوه مونتاژ در محل ثابت یا متغیر

- برای تضمین استفاده مطمئن از این ابزار برقی، باید ابزار برقی را پیش از شروع به کار روی یک سطح صاف و ثابت کاری (بعنوان مثال روی یک میز کار) نصب کنید.

### نحوه نصب بر روی یک سطح کار (رجوع کنید به تصویر h)

- ابزار برقی را بوسیله پیچ های اتصال مناسب روی سطح کار محکم کنید. برای این منظور از سوراخهای (8) استفاده کنید.

### نحوه نصب بر روی میز کار بوش (رجوع کنید به تصویر i)

- میز کار Bosch (مانند GTA 560) با داشتن پایه هایی که ارتفاع آنها را میتوان تغییر داد و تنظیم نمود، برای ابزار برقی یک سطح مستقر و مستحکم بر روی هرگونه زمینه ای را فراهم می سازد.

- لطفاً کلیه نکات ایمنی و دستورالعمل های پیوست شده در رابطه با میز کار را بدقت مطالعه کنید. اشتباهات ناشی از عدم رعایت این نکات و دستورالعمل های ایمنی، ممکن است باعث برق گرفتگی، حریق و یا سایر جراحات های شدید شود.

- پیش از نصب ابزار برقی، ابتدا میز کار را بدرستی نصب و مستقر کنید. مونتاژ صحیح و استقرار کامل و بدون ایراد میز کار، برای جلوگیری از در هم شکستن آن بسیار پر اهمیت است.
- ابزار برقی را در حالت حمل و نقل بر روی میز کار نصب کنید.

### مکش گرد، براده و تراشه

- گرد و غبار موادی مانند رنگ های دارای سرب، بعضی از چوب ها، مواد معدنی و فلزات میتوانند برای سلامتی مضر باشند. دست زدن و یا تنفس کردن گرد و غبار ممکن است باعث بروز آلرژی و یا بیماری مجاری تنفسی شخص استفاده کننده و یا افرادی که در آن نزدیکی میباشند، بشود.
- گرد و غبارهای مخصوصی مانند گرد و غبار درخت بلوط و یا درخت راش سرطان زا هستند، بخصوص ترکیب آنها با سایر موادی که برای کار بر روی چوب

- کرومات، مواد برای محافظت از چوب) بکار برده میشوند. فقط افراد متخصص مجازند با موادی که دارای آزیست میباشند کار کنند.
- حتی الامکان از یک دستگاه مکش مناسب و درخور ماده (قطعه کار) استفاده کنید.
- توجه داشته باشید که محل کار شما از تهویه هوای کافی برخوردار باشد.
- توصیه میشود از ماسک تنفسی ایمنی با درجه فیلتر P2 استفاده کنید.

### از تجمع گرد و غبار در محل کار جلوگیری کنید.

- گرد و غبار می توانند به آسانی مشتعل شوند. دستگاه مکنده گرد و غبار و تراشه ممکن است در اثر گرد و غبار، تراشه ها، براده ها یا در اثر مکش تکه های کوچک قطعه کار مسدود شود.
- ابزار برقی را خاموش کنید و باتری را درآورید.
- منتظر بمانید تا تیغه اره بطور کامل متوقف بشود.
- علت گرفتگی و انسداد را مشخص نموده و آنرا برطرف کنید.

### جهت جلوگیری از بروز خطر آتش گرفتگی هنگام برش آلومینیوم، درپوش پایینی تیغه اره را خالی کنید و مکنده تراشه را مکار نبرید.

- تمیز کردن پوشش پایینی تیغه اره (رجوع کنید به تصویر j)

- برای برداشتن تکه های مربوط به قطعه کار و تراشه های بزرگ می توان پوشش پایینی تیغه اره (46) را باز کرد.
- ابزار برقی را خاموش کنید و باتری را از ابزار برقی خارج کنید.
- منتظر بمانید تا تیغه اره بطور کامل متوقف بشود.
- ابزار برقی را به کنار بخواهید.
- توری کف (33) (رجوع کنید به تصویر a) را باز کنید.
- لاستیک های (47) پوشش پایینی تیغه اره را آهسته از هم باز کنید و پوشش پایینی تیغه اره (46) را باز کنید.
- تکه های شکسته قطعه کار و تراشه ها را جدا کنید.
- پوشش پایینی تیغه اره (46) را دوباره ببندید تا لاستیک ها (47) جا بیفتد.
- توری کف (33) را ببندید.
- ابزار برقی را در وضعیت آماده برای انجام کار قرار بدهید.

### مکش خارجی (رجوع کنید به تصویر k)

- یک شلنگ مکش گرد و غبار مناسب را در آداپتور مکش (31) فرو کنید.
- دستگاه مکنده باید برای قطعه کار مورد نظر مناسب باشد.
- برای مکش گرد و غباری که برای سلامتی مضرند و سرطان زا هستند و یا برای مکش تراشه های خشک باید از یک دستگاه مکنده مخصوص استفاده کنید.

### فلش روی تیغه اره، با جهت فلش روی گوه مطابقت داشته باشد!

- فلائز مهار (51) و مهره مهار (49) را قرار دهید.
- مهره مهار (49) را توسط آچار رینگی (9) بچرخانید و همزمان اهرم قفل محور (50) را تا جا افتادن بکشید.
- مهره مهار را در جهت عقربه های ساعت محکم کنید.
- صفحه زیر کار (25) را روی محافظ تیغه (4) در محفظه ابزار قرار دهید. پیچ قفل کننده (38) را با نوک آچار رینگی (9) تا انتها در جهت چرخش "قفل بسته" بچرخانید.
- روکش محافظ (3) را دوباره نصب کنید.

## طرز کار با دستگاہ

- ◀ قبل از انجام هر گونه کاری با ابزار برقی (از جمله سرویس، تعویض ابزار و غیره) و همچنین به هنگام حمل و نقل و یا در انبار نگهداری کردن، باتری را از داخل ابزار برقی خارج کنید. در صورت تماس اتفاقی با کلید قطع و وصل، خطر آسیب دیدگی وجود دارد.

### حالت حمل و نقل و کار تیغه اره

#### حالت حمل و نقل

- روکش محافظ (3) را بردارید، واحد میز (25) را جدا کنید و گوه (4) را در پایین ترین حالت قرار دهید. واحد میز (25) را دوباره قرار دهید.
- میل لنگ (15) را در خلاف جهت چرخش عقربه های ساعت بچرخانید تا دندانه های تیغه اره (26) زیر میز اره (23) باشند.
- میز کشویی (6) را کاملا به داخل بکشید.
- دسته مهار (13) را به پایین فشار دهید. از این طریق میز کشویی تثبیت می شود.

#### وضعیت کاری

- گوه (4) را در بالاترین حالت ممکن دقیقا روی مرکز تیغه اره قرار دهید، واحد میز (25) را بگذارید و روکش محافظ (3) را نصب کنید.
- میل لنگ (15) را در جهت چرخش عقربه های ساعت بچرخانید تا دندانه های بالایی تیغه اره (26) حدود 6 - 3 میلیمتر بالای قطعه کار قرار گیرند.

### گسترش میز اره

- زیر قسمت انتهایی باز قطعات کاری سنگین و طولی را باید پایه زد و یا به نحوی مهار نمود.
- میز کشویی (رجوع کنید به تصویر A)**
- میز کشویی (6) عرض میز اره (23) را به طرف راست گسترش می دهد.
- دسته مهار (13) برای میز کشویی را به بالا بکشید.
- میز کشویی (6) را به اندازه طول دلخواه به بیرون بکشید.
- دسته مهار (13) را به پایین فشار دهید. اینگونه میز کشویی تثبیت می شود.

### تعویض تیغه اره (رجوع کنید به تصاویر 14-11)

- ◀ قبل از انجام هر گونه کاری با ابزار برقی (از جمله سرویس، تعویض ابزار و غیره) و همچنین به هنگام حمل و نقل و یا در انبار نگهداری کردن، باتری را از داخل ابزار برقی خارج کنید. در صورت تماس اتفاقی با کلید قطع و وصل، خطر آسیب دیدگی وجود دارد.
- ◀ به هنگام مونتاژ تیغه اره از دستکش ایمنی استفاده کنید. خطر جراحت وجود دارد.
- ◀ فقط از تیغه های اره ای استفاده کنید که حداکثر سرعت مجاز آنها از سرعت در حالت آزاد (بدون بار) ابزار برقی شما بیشتر باشد.
- ◀ فقط از تیغه های اره ای استفاده کنید که دارای مشخصات و ارقام فنی مندرج در این دفترچه راهنما باشند و طبق استاندارد EN 847-1 کنترل و آزمایش شده و مطابق آن علامتگذاری شده باشند.
- ◀ فقط از تیغه ارههایی استفاده کنید که از طرف تولید کننده این ابزار برقی توصیه شده و برای مادهای که قصد کار کردن بر روی آن را دارید، مناسب باشد. بدین طریق میتوانید از داغ شدن دندانههای تیغه اره و ذوب شدن قطعه کار ساخته شده از مواد مصنوعی، جلوگیری کنید.

- ◀ از تیغه ارههای فولادی HSS استفاده نکنید. اینگونه تیغه های اره ممکن است سریع بشکنند.

### نحوه باز کردن و برداشتن تیغه اره

- اهرم نگهدارنده (39) را باز کنید و روکش محافظ (3) را از شیار گوه (4) درآورید.
- پیچ قفل کننده (38) را با نوک آچار رینگی (9) را تا انتها در جهت چرخش "قفل باز" بچرخانید و واحد میز (25) را از جعبه ابزار بلند کنید. سوراخ دسته (48) برای بلند کردن نرم بکار می آید.
- میل لنگ (15) را در جهت حرکت عقربه های ساعت تا انتها طوری بچرخانید که تیغه اره (26) در بالاترین حالت ممکن روی میز اره قرار گیرد.
- مهره مهار (49) را توسط آچار رینگی (9) بچرخانید و همزمان اهرم قفل محور (50) را تا جا افتادن بکشید.
- اهرم قفل محور را در همین حالت نگهدارید و با چرخاندن مهره مهار، در جهت مخالف حرکت عقربه های ساعت، آنرا باز کنید.
- فلائز نگهدارنده (51) را بردارید.
- تیغه اره (26) را جدا کنید.

### نحوه نصب کردن تیغه اره

- در صورت لزوم پیش از تنظیم، تمام قطعات نصب را تمیز کنید.
- تیغه اره نو را روی فلائز گیرنده (52) محور ابزار (53) قرار دهید.
- نکته:** تیغه اره های بسیار کوچک را بکار نبرید. شکاف قطری بین تیغه اره و گوه بایستی تا بیشینه 8 - 3 میلیمتر باشد.
- ◀ هنگام نصب تیغه اره توجه داشته باشید که جهت برش (تیزی) دندانه های تیغه اره (جهت

## نحوه تنظیم زاویه برش فارسی عمودی و افقی

برای تضمین انجام برش های دقیق، باید بعد از کاربرد مستمر ابزار برقی، تنظیمات پایه و اولیه ابزار برقی را کنترل نموده و در صورت لزوم تنظیم و اصلاح کنید.

### تنظیم زاویه های فارسی عمودی (تیغه اره) (رجوع کنید به تصویر B)

زاویه برش فارسی عمودی را می توان در محدوده 0° تا 45° تنظیم کرد.

- اهرم قفل کننده (20) را در خلاف جهت چرخش عقربه های ساعت باز کنید.

**نکته:** در صورت باز شدن کامل اهرم قفل کننده، تیغه اره با نیروی جاذبه به حالتی می رود که تقریباً با 30° مطابقت دارد.

- چرخک دستی (14) را در امتداد زمینه بکشید تا نمایشگر زاویه (21) زاویه برش فارسی دلخواه را نشان دهد.

- چرخک دستی را در این وضعیت نگهدارید و اهرم قفل کننده (20) را دوباره سفت کنید.

### برای تنظیم سریع و دقیق زاویه های عمودی استاندارد 0° و 45° از طرف کارخانه نگهدارنده های (22)، (18) از پیش در نظر گرفته شده.

### تنظیم زاویه های فارسی افقی (نقاله) (رجوع کنید به تصویر C)

زاویه برش فارسی افقی را می توان در محدوده 30° تا (از طرف چپ) 30° تنظیم کرد.

- دکمه تثبیت (54) را در صورت محکم بودن، باز کنید.

- نقاله را بچرخانید تا نمایشگر زاویه (55) زاویه دلخواه را نشان دهد.

- دکمه تنظیم (54) را دوباره سفت کنید.

### تنظیم کردن خطکش راهنمای موازی

گونبای موازی (5) را می توان طرف چپ (درجه بندی سیاه) یا راست (درجه بندی نقره ای) تیغه اره قرار داد. علامت در نشانگر درجه بندی (56) فاصله تنظیم شده گونبای موازی را نسبت به تیغه اره روی درجه بندی (1) نشان می دهد.

گونبای موازی در سمت دلخواه تیغه اره (رجوع کنید به "نصب خطکش راهنمای موازی" (رجوع شود به تصویر e)، صفحه 185) قرار دهید.

### تنظیم گونبای موازی

#### در صورت عدم بسط میز اره

- اهرم مهار (41) گونبای موازی (5) را باز کنید. گونبای موازی را جابه جا کنید تا علامت در نشانگر درجه بندی (56) فاصله دلخواه نسبت به تیغه اره را نشان دهد.

در صورت گسترده نبودن میز اره، نوشته پایینی درجه بندی نقره ای (1) معتبر است.

- برای تثبیت، اهرم مهار (41) را دوباره به پایین فشار دهید.

### تنظیم گونبای موازی در هنگام بسط داده شدن میز اره (رجوع کنید به تصویر D)

- گونبای موازی را در سمت راست تیغه اره قرار دهید. گونبای موازی را جا به جا کنید تا علامت در نشانگر درجه بندی (56) روی درجه بندی پایینی 29 cm را نشان دهد.

برای تثبیت، اهرم مهار (41) را دوباره به پایین فشار دهید.

- اهرم مهار (13) را برای بسط میز اره کاملاً به بالا برانید.

- کشویی بسط میز اره (6) را به بیرون بکشید تا نشانگر فاصله (57) فاصله دلخواه نسبت به تیغه اره را روی درجه بندی بالایی نمایش بدهد.

- اهرم مهار (13) را به پایین فشار دهید. اینگونه کشویی بسط میز اره تثبیت می شود.

### تنظیم کمکی خطکش راهنمای موازی (رجوع شود به تصویر E)

برای اره کردن قطعه کارهای باریک و اره کردن با زاویه برش فارسی عمودی بایستی کمکی خطکش راهنمای موازی (43) را به خطکش راهنمای موازی (5) وصل کنید.

کمکی خطکش راهنمای موازی را می توان بر حسب نیاز به چپ یا راست خطکش راهنمای موازی (5) نصب کرد.

قطعات کار می توانند بین خطکش راهنمای موازی و تیغه اره گیر کنند و بوسیله تیغه اره برآمده به داخل کشیده و پرت شوند.

به همین دلیل خطکش راهنمای موازی را طوری تنظیم کنید که انتهای آن در محدوده بین اولین دندان تیغه اره و لبه جلویی گوه قرار گیرد.

- بدین منظور، مهره های پروانه ای بسته اتصال (44) را باز کنید و کمکی خطکش راهنمای موازی را جا به جا کنید تا تنها دو پیچ جلویی برای اتصال باقی بمانند.

- پیچ های پروانه ای را دوباره محکم ببندید.

### تنظیم کردن گوه

گوه (4) از گیر کردن تیغه اره در (26) خط برش جلوگیری می کند. در غیر اینصورت خطر پس زدن وجود دارد، چنانچه تیغه اره در قطعه کار گیر کند. بدین جهت همواره دقت کنید که گوه درست تنظیم شده باشد:

- شکاف قطری بین تیغه اره و گوه بایستی تا بیشینه 3 - 8 میلیمتر باشد.

- ضخامت گوه باید کمتر از عرض برش و بیشتر از ضخامت ورقه باشد.

- گوه باید همیشه با تیغه اره روی یک خط باشد.

- برای برشهای عادی بایستی گوه همیشه در بالاترین وضعیت قرار گیرد.

### تنظیم ارتفاع محافظ تیغه (رجوع کنید به تصویر F)

برای شیار انداختن باید ارتفاع محافظ تیغه را تنظیم کنید.

از کار بر روی قطعه کار خمیده و ناصاف خودداری کنید. قطعه کار باید همواره یک ضلع صاف و مستقیم برای تکیه دادن به خط کش راهنمای برش داشته باشد.

میله نگهدارنده جانبی قطعه کار را همواره در نزدیکی ابزار برقی قرار دهید.

#### حالت کاربر (رجوع کنید به تصویر H)

هرگز در یک خط مستقیم با تیغه اره ناپسند.

همیشه در کنار ابزار بایستید، جایی که ریل

نگهدارنده هم قرار دارد. هنگام پس زدن،

اجسام ممکن است با سرعت زیاد به طرف کاربر پرتاب شوند که در خط مستقیم با تیغه اره

ایستاده اند.

دست ها، بازوها و انگشتان خود را از تیغه اره در

حال چرخش دور نگهدارید.

به نکات و توصیه های زیر توجه کنید:

قطعه کار را با هر دو دست مطمئن نگهدارید و آن را محکم به میز اره فشار دهید.

برای اره کردن قطعه کارهای باریک و برش دادن

با زاویه مورب عمودی همیشه از پیشران قطعه

کار اسالی (12) و گونیای موازی یدکی (43)

استفاده کنید.

#### بیشینه اندازه های قطعه کار

بیشینه ارتفاع قطعه کار [میلیمتر]	زاویه برش فارسی عمودی
70	0°
50	45°

#### اره کردن

##### اره کردن برش های مستقیم

گونیای موازی (5) را روی عرض برش دلخواه قرار دهید.

قطعه کار را روی میز جلوی روکش محافظ (3) قرار دهید.

میل لنگ (15) را تا اندازه ای بالا یا پایین ببرید که دندان های بالایی تیغه اره (26) حدود

3 - 6 mm بالای قطعه کار قرار گیرند.

ابزار برقی را روشن کنید.

قطعه کار را با فشار یکنواخت اره کنید.

در صورت ایجاد فشار بسیار زیاد ممکن است سر

تیغه اره داغ شود و قطعه کار آسیب ببیند.

ابزار برقی را خاموش کنید و منتظر بمانید که تیغه

اره به طور کامل متوقف شود.

##### اره کردن تحت زاویه برش فارسی عمودی (مورب)

زاویه مورب دلخواه تیغه اره را تنظیم کنید.

هنگام متمایل بودن تیغه اره به سمت چپ،

گونیای موازی (5) باید در سمت راست تیغه اره

باشد.

مراحل برش کاری را مطابق با این بخش دنبال

کنید: (رجوع کنید به «اره کردن برش های

مستقیم»، صفحه 189)

#### برای استفاده از ابزار برقی جهت شیار اندازی یا چین اندازی همواره از تجهیزات ایمنی مناسب (مانند قاب ایمنی تونلی، شانه فشار) استفاده کنید.

اهرم نگهدارنده (39) را باز کنید و قاب محافظ (3) را از شیار محافظ تیغه (4) درآورید.

برای حفظ قاب محافظ در برابر آسیب دیدگی، آن را در نگهدارنده تعبیه شده (11) روی بدنه قرار (رجوع کنید به تصویر 02) قرار دهید.

میل لنگ (15) را در جهت حرکت عقربه های

ساعت تا انتها طوری بچرخانید که تیغه اره (26) در بالاترین حالت ممکن روی میز اره قرار گیرد.

اهرم نگهدارنده (36) را در جهت عقربه های ساعت تا زمانی که بالا را نشان دهد، شل کنید.

محافظ تیغه را از بین ها (37) (اهرم نگهدارنده

(36) را کمی به بیرون بکشید) بیرون بکشید و محافظ تیغه (4) را تا انتها به پایین برانید.

بگذارید هر دو بین (37) در سوراخ های بالایی روی محافظ تیغه جا بیفتند و اهرم نگهدارنده

(36) را دوباره محکم بکشید.

علامت گذاری (35) روی گیره و اهرم نگهدارنده (36) باید مطابق آنچه نشان داده شد تراز شود.

#### راه اندازی و نحوه کاربرد دستگاه

##### روشن کردن (رجوع کنید به تصویر G1)

برای راه اندازی کلید روشن/خاموش (16) را از هر دو طرف فشار دهید و آن را به بالا بکشید.

##### خاموش کردن (رجوع کنید به تصویر G2)

کلید روشن/خاموش (16) را به پایین فشار دهید.

##### حفاظت در برابر کاربری غیر مجاز (رجوع کنید به تصویر G3)

برای حفاظت در برابر کاربری غیر مجاز می توان به کمک یک قفل آویز کلید روشن/خاموش (16) را

قفل کنید.

یک قفل آویز با حلقه بلند را بوسیله سوراخ در کلید روشن/خاموش (16) حرکت دهید و آن را

ببندید.

#### راهنماییهای عملی

##### دستورالعمل ها و توضیحات کلی برای اره کاری

برای انجام هر گونه برش، ابتدا باید اطمینان حاصل کنید هیچگونه امکان تماسی مابین

تیغه اره با راهنماهای برش یا با سایر

قطعات و بخش های دستگاه وجود ندارد.

##### برای استفاده از ابزار برقی جهت شیار اندازی یا چین اندازی همواره از تجهیزات ایمنی مناسب (مانند قاب ایمنی تونلی، شانه فشار) استفاده کنید.

##### از ابزار برقی برای شیاراندازی استفاده نکنید (انتهای شیار در قطعهار).

تیغه اره را در برابر ضربه محافظت کنید. تیغه اره نباید در معرض هیچگونه فشار جانبی قرار بگیرد.

توجه داشته باشید که محافظ تیغه باید کاملاً در امتداد و در یک خط با تیغه اره قرار بگیرد، تا از گیر

کردن قطعه کار جلوگیری بعمل آید.

## برش با زاویه فارسی افقی (رجوع کنید به تصویر 1)

- زاویه برش فارسی افقی را روی نقاله (2) تنظیم کنید.
- قطعه کار را روی نقاله (2) قرار دهید.
- با اهرم (15) تیغه اره را آنقدر به پایین یا بالا برانید تا دندان‌های بالایی حدود 5 میلی‌متر بالای سطح قطعه کار قرار گیرند.
- ابزار برقی را روشن کنید.
- قطعه کار را با دست به طرف نقاله فشار دهید و نقاله را با دست دیگر روی دسته تثبیت (54) آهسته در شیار راهنما (30) به طرف جلو برانید.
- ابزار برقی را خاموش کنید و منتظر بمانید که تیغه اره بطور کامل متوقف شود.

## تنظیم و کنترل تنظیمات پایه

- برای تضمین انجام برش‌های دقیق، باید بعد از کاربرد مستمر ابزار برقی، تنظیمات پایه و اولیه ابزار برقی را کنترل نموده و در صورت لزوم تنظیم و اصلاح کنید.
- برای این منظور به تجربه و ابزار ویژه نیاز دارید. تعمیرگاه مجاز و خدمات پس از فروش Bosch این کار را سریع و مطمئن انجام می‌دهد.

## تنظیم نگهدارنده‌های زاویه مورب عمودی استاندارد 0°/45°

- ابزار برقی را در وضعیت آماده برای انجام کار قرار دهید.
- یک زاویه برش فارسی عمودی 0° را تنظیم کنید.
- روکش محافظ (3) را بردارید.

## نحوه کنترل (رجوع کنید به تصویر J1)

- واحد میز (25) (رجوع کنید به „نصب صفحه زیر کار (رجوع شود به تصویر c)“، صفحه 185) را بردارید.
- یک نقاله را روی 90° تنظیم کنید و بر میز اره (23) قرار دهید.
- پای نقاله بایستی با تیغه اره (26) روی کل طول مسطح شود.

## نحوه تنظیم (رجوع کنید به تصویر J2)

- پیچ (58) را باز کنید. اینگونه نگهدارنده (22)-0° جا به جا می‌شود.
- اهرم قفل‌کننده (20) را باز کنید.
- چرخک دستی (14) را برعکس نگهدارنده 0° را جا به جا کنید تا پای نقاله با تیغه اره روی کل طول مسطح شود.

- چرخک دستی را در این وضعیت نگهدارید و اهرم قفل‌کننده (20) را دوباره سفت کنید.
- پیچ (58) را دوباره سفت کنید.
- واحد میز (25) (رجوع کنید به „نصب صفحه زیر کار (رجوع شود به تصویر c)“، صفحه 185) را نصب کنید.

- چنانچه نشانگر زاویه (21) پس از تنظیم در یک خط با علامت 0° درجه بندی (19) نیست، پیچ (59) یا یک پیچ‌گوشی چهارسوی معمولی باز کنید و نشانگر زاویه را در امتداد علامت 0° تنظیم کنید.
- مراحل کاری بالا را بر همین روال برای زاویه برش فارسی عمودی 45° تکرار کنید (پیچ (60) را باز کنید؛

نگهدارنده (18) 45° را جا به جا کنید. نمایشگر زاویه (21) نباید در این حین تغییر کند.

## موازی بودن تیغه اره با شیارهای نقاله (رجوع کنید به تصویر K)

- ابزار برقی را در وضعیت آماده برای انجام کار قرار دهید.
- روکش محافظ (3) را بردارید.

## نحوه کنترل

- با یک مداد، اولین دندان‌های که در پشت بالای واحد میز دیده می‌شود را علامت بزنید.
- نقاله را روی 90° تنظیم کنید و آن را روی لبه شیار راهنما (30) قرار دهید.
- پایه نقاله را جا به جا کنید تا به دندان‌های اره برخورد کند و فاصله بین تیغه اره و شیار راهنما را بخوانید.

- تیغه اره را بچرخانید تا دندان‌های علامت‌گذاری شده در جلو بالای واحد میز قرار گیرد.
- خط کش راهنمای زاویه را در امتداد شیار راهنما تا محل دندان‌های علامت‌گذاری شده تیغه اره حرکت دهید.

- فاصله مابین تیغه اره و شیار راهنما را مجدداً اندازه بگیرید.

- هر دو فاصله اندازه‌گیری شده باید با یکدیگر یکسان باشند.

## نحوه تنظیم

- پیچ‌های آلنی (61) در جلو زیر میز اره و پیچ‌های آلنی (62) در پشت زیر میز اره را با آچار آلن ارسالی (10) را باز کنید.
- تیغه اره را با احتیاط حرکت دهید تا با شیار راهنما (30) موازی شود.
- پیچ‌ها (61) و (62) را دوباره سفت کنید.

## نحوه تنظیم نمایشگر فاصله میز اره (رجوع کنید به تصویر L)

- گونیای موازی را در سمت راست تیغه اره قرار دهید.
- گونیای موازی را جا به جا کنید تا علامت در نشانگر درجه بندی (56) روی درجه بندی پایینی 29 cm را نشان دهد.
- برای تثبیت، اهرم مهار (41) را دوباره به پایین فشار دهید.

- اهرم مهار (13) را کاملاً به بالا بکشید و کشویی بسط میز اره (6) را تا انتها به بیرون بکشید.

## نحوه کنترل

- نشانگر فاصله (57) باید روی درجه بندی بالایی (1) مقدار مشابه با علامت در نشانگر درجه بندی (56) روی درجه بندی پایینی (1) را نشان دهد.

## نحوه تنظیم

- دسته مهار را کاملاً به بالا و میز کشویی (6) را تا انتها به بیرون بکشید.
- پیچ (63) را با یک پیچ‌گوشی چهارسوی باز کنید و نمایشگر فاصله (57) را در امتداد درجه 29 سانتیمتری درجه بندی بالایی (1) تراز کنید.

– کمکی گونیای موازی (43) را از گونیای موازی (5) باز کنید.

– تمامی قطعات باز شده دستگاه را در محفظه نگهداری روی بدنه (به جدول زیر رجوع کنید) قرار دهید.

اجزاء دستگاه	محفظه نگهداری
خطکش راهنمای موازی (5)	را برگردانید، از پایین در ریل های راهنما بیاویزید و دسته مهار (41) را تثبیت کنید
میله نگهدارنده جانبی قطعه کار (12)	را در محل نگهداری (67) قرار دهید
روکش محافظ (3)	را در شیار گیره نگهدارنده (11) آویزان کنید و با اهرم (39) سفت کنید
آچار آلن (10)	را در محل نگهداری (68) قرار دهید
آچار رینگ (9)	را در محل نگهداری (69) قرار دهید
نقاله (2)	را در محل نگهداری (7) قرار دهید
کمکی خطکش راهنمای موازی (43)	را در شیار از پشت روی خطکش راهنمای موازی قرار دهید و به کمک پیچ های پروانه ای سفت کنید

#### حمل و نقل ابزار برقی

◀ قبل از انجام هر گونه کاری با ابزار برقی (از جمله سرویس، تعویض ابزار و غیره) و همچنین به هنگام حمل و نقل و یا در انبار نگهداری کردن، باتری را از داخل ابزار برقی خارج کنید. در صورت تماس اتفاقی با کلید قطع و وصل، خطر آسیب دیدگی وجود دارد.

قبل از حمل و نقل ابزار برقی باید اقدامات زیر انجام شوند:

- ابزار برقی را در حالت حمل و نقل (رجوع کنید به «حالت حمل و نقل»، صفحه 187) قرار دهید.
- کلیه قطعات و متعلقاتی که قابل نصب بر ابزار برقی بصورت ثابت نیستند را بردارید.
- تیغهای اره که مورد استفاده قرار نگرفتهاند را در صورت امکان برای حمل و نقل داخل یک محفظه بسته قرار دهید.
- کشویی بسط میز اره (6) را کاملاً به درون برانید و اهرم مهار (13) را برای تثبیت به پایین فشار دهید.
- برای بلند کردن یا حمل دستگاه، از دسته حمل و نقل (29) استفاده کنید.

◀ برای حمل و نقل و جابجایی ابزار برقی، فقط از تجهیزات حمل و نقل استفاده کنید و هیچوقت از تجهیزات ایمنی آن برای حمل و نقل استفاده نکنید.

#### نحوه تنظیم موازی بودن خطکش راهنمای موازی (رجوع کنید به تصویر M)

– ابزار برقی را در وضعیت آماده برای انجام کار قرار دهید.

– روکش محافظ (3) را بردارید.

– دسته ی مهار (41) خطکش راهنمای موازی را باز کنید و آن را برانید تا با تیغه ی اره تماس پیدا کند.

#### نحوه کنترل

خطکش راهنمای موازی (5) باید تیغه اره را از تمام طول لمس کند.

#### نحوه تنظیم

– پیچ های آلنی (64) را با آچار آلن ارسالی (10) باز کنید.

– خطکش راهنمای موازی (5) را با احتیاط حرکت دهید تا با تمامی طول تیغه اره تماس پیدا کند.

– خط کش راهنمای موازی را در این وضعیت نگهدارید و دستگیره مهار (41) را دوباره به پایین فشار دهید.

– همه ی پیچ های آلنی (64) را دوباره سفت کنید.

#### تنظیم کردن نیروی کشش خط کش راهنمای موازی

نیروی کشش خطکش راهنمای موازی (5) ممکن است پس از کاربری طولانی کاهش یابد.

– پیچ تنظیم (24) را آنقدر سفت کنید تا خطکش راهنمای موازی دوباره محکم روی میز اره تثبیت شود.

#### تنظیم کردن نشانگر درجه بندی گونیای موازی (رجوع کنید به تصویر M)

– ابزار برقی را در وضعیت آماده برای انجام کار قرار دهید.

– قاب محافظ (3) را بردارید.

– گونیای موازی (5) را از راست حرکت دهید تا با تیغه اره تماس پیدا کند.

#### نحوه کنترل

علامت نشانگر درجه بندی (56) باید در یک خط با علامت 0 mm درجه بندی (1) قرار گیرد.

#### نحوه تنظیم

– پیچ (65) را با یک چهارسو باز کنید و علامت را با درجه 0 میلیمتری تراز کنید.

#### نحوه تنظیم سطح واحد میز (رجوع کنید به تصویر N)

#### نحوه کنترل

بخش جلویی واحد میز (25) باید کاملاً همسطح با کمی زیر میز اره باشد، طرف پشت بایستی همسطح با کمی بالا نسبت به میز اره باشد.

#### نحوه تنظیم

– با نوک آچار رینگ (9) سطح درست پیچ های تنظیم (66) را تنظیم کنید.

#### نگهداری و حمل و نقل

#### نگهداری اجزاء دستگاه (رجوع کنید به تصاویر 01-02)

ابزار برقی جهت نگهداری برخی از اجزاء دستگاه امکان بستن ایمنی آنها را فراهم می سازد.

اینصورت باید حتما جهت آماده سازی قطعه ارسالی به کارشناس حمل کالاهای پر خطر مراجعه کرد. باتریها را فقط در صورتی ارسال کنید که بدنه آنها آسیب ندیده باشد. اتصالات (کنتاکتهای) باز را بپوشانید و باتری را طوری بسته بندی کنید که در بسته بندی تکان نخورد. در این باره لطفاً به مقررات و آیین نامه های ملی توجه کنید.

### از رده خارج کردن دستگاه

ابزارهای برقی، باتری ها، متعلقات و بسته بندی ها، باید طبق مقررات حفظ محیط زیست از رده خارج و بازیافت شوند.

ابزار برقی و باتری ها/ باتری های قابل شارژ را داخل زباله دان خانگی نیندازید!



### باتریهای شارژی/قلمی:

#### لیتیوم-یونی:

لطفاً به تذکرات بخش (رجوع کنید به «حمل دستگاه»، صفحه 192) توجه کنید.

## مراقبت و سرویس

### مراقبت، تعمیر و تمیز کردن دستگاه

قبل از انجام هر گونه کاری با ابزار برقی (از جمله سرویس، تعویض ابزار و غیره) و همچنین به هنگام حمل و نقل و یا در انبار نگهداری کردن، باتری را از داخل ابزار برقی خارج کنید. در صورت تماس اتفاقی با کلید قطع و وصل، خطر آسیب دیدگی وجود دارد.

ابزار الکتریکی و شیارهای تهویه آنرا تمیز نگاه دارید، تا ایمنی شما در کار تضمین گردد.

#### نحوه تمیز کردن

بعد از انجام هر مرحله کار، گرد و غبار و تراشه ها را به وسیله فشار هوا و یا بوسيله یک قلم مو از دستگاه دور کنید.

#### اقدامات برای کاهش سر و صدا

اقدامات از طرف تولید کننده:

- روشن شدن آرام الکترونیکی
- ارسال با یک کاهنده سر و صدای ویژه تیغه ااره اقدامات از طرف کاربر:
- نصب بدون لرزش روی یک سطح کار ثابت
- استفاده از تیغه ااره های دارای کاهنده سر و صدا

- تمیز کردن مرتب تیغه ااره و ابزار برقی

### خدمات و مشاوره با مشتریان

خدمات مشتری، به سؤالات شما درباره تعمیرات، سرویس و همچنین قطعات یدکی پاسخ خواهد داد. نقشههای سه بعدی و اطلاعات مربوط به قطعات یدکی را در تارنمای زیر میبایید:

[www.bosch-pt.com](http://www.bosch-pt.com)

گروه مشاوره به مشتریان Bosch با کمال میل به سؤالات شما درباره محصولات و متعلقات پاسخ می دهند.

برای هرگونه سؤال و یا سفارش قطعات یدکی، حتماً شماره فنی 10 رقمی کالا را مطابق برجسب روی ابزار برقی اطلاع دهید.

#### ایران

روبرت بوش ایران - شرکت بوش تجارت پارس میدان ونک، خیابان شهید خدای، خیابان آفتاب ساختمان مادران، شماره 3، طبقه سوم.

تهران 1994834571

تلفن: 42039000+9821

آدرس سایر دفاتر خدماتی را در ادامه ببایید:

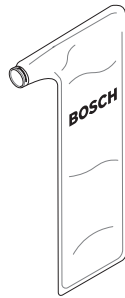
[www.bosch-pt.com/serviceaddresses](http://www.bosch-pt.com/serviceaddresses)

### حمل دستگاه

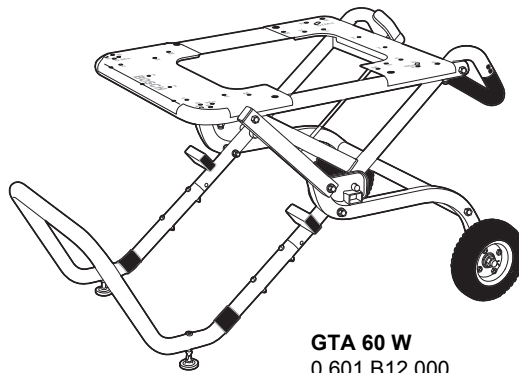
باتری های لیتیوم یونی توصیه شده، مشمول الزامات قانون کالاهای خطرناک هستند. کاربر می تواند باتری ها را بدون استفاده از روکش در خیابان حمل کند.

در صورت ارسال توسط شخص ثالث (مانند: حمل و نقل هوایی یا زمینی) باید تمهیدات مربوط به بسته بندی و علامتگذاری مورد توجه قرار گیرد. در





1 600 A01 ZE5



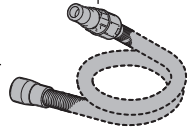
**GTA 60 W**  
0 601 B12 000



**GTA 560**  
0 601 M22 700



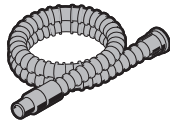
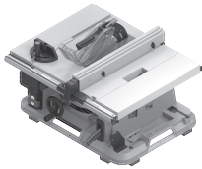
2 607 002 632



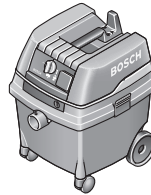
Ø 38 mm:  
1 600 A00 0JF (3 m)



GAS 20 L SFC



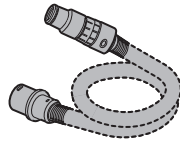
Ø 35 mm:  
2 607 002 163 (3 m)  
2 607 002 164 (5 m)



GAS 50 L SFC  
GAS 25 L SFC



Ø 22 mm:  
2 608 000 572 (3 m)  
2 608 000 568 (5 m)  
Ø 35 mm:  
2 608 000 570 (3 m)  
2 608 000 566 (5 m)



Ø 22 mm:  
2 608 000 571 (3 m)  
2 608 000 567 (5 m)  
Ø 35 mm:  
2 608 000 A06 (5 m)

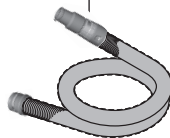


GAS 35 L SFC+  
GAS 35 L AFC  
GAS 35 M AFC



GAS 55 M AFC

2 608 000 585



Ø 35 mm:  
2 608 000 658 (1,6 m)



GAS 18V-10 L

## Licenses

### Copyright © 2009 - 2016 ARM LIMITED

All rights reserved.

Redistribution and use in source and binary forms, with or without modification, are permitted provided that the following conditions are met:

- Redistributions of source code must retain the above copyright notice, this list of conditions and the following disclaimer.
- Redistributions in binary form must reproduce the above copyright notice, this list of conditions and the following disclaimer in the documentation and/or other materials provided with the distribution.
- Neither the name of ARM nor the names of its contributors may be used to endorse or promote products derived from this software without specific prior written permission.

THIS SOFTWARE IS PROVIDED BY THE COPYRIGHT HOLDERS AND CONTRIBUTORS "AS IS" AND ANY EXPRESS OR IMPLIED WARRANTIES, INCLUDING, BUT NOT LIMITED TO, THE IMPLIED WARRANTIES OF MERCHANTABILITY AND FITNESS FOR A PARTICULAR PURPOSE ARE DISCLAIMED. IN NO EVENT SHALL THE COPYRIGHT HOLDERS AND CONTRIBUTORS BE LIABLE FOR ANY DIRECT, INDIRECT, INCIDENTAL, SPECIAL, EXEMPLARY, OR CONSEQUENTIAL DAMAGES (INCLUDING, BUT NOT LIMITED TO, PROCUREMENT OF SUBSTITUTE GOODS OR SERVICES; LOSS OF USE, DATA, OR PROFITS; OR BUSINESS INTERRUPTION) HOWEVER CAUSED AND ON ANY THEORY OF LIABILITY, WHETHER IN CONTRACT, STRICT LIABILITY, OR TORT (INCLUDING NEGLIGENCE OR OTHERWISE) ARISING IN ANY WAY OUT OF THE USE OF THIS SOFTWARE, EVEN IF ADVISED OF THE POSSIBILITY OF SUCH DAMAGE.

### COPYRIGHT(c) 2016 STMicroelectronics

Redistribution and use in source and binary forms, with or without modification, are permitted provided that the following conditions are met:

1. Redistributions of source code must retain the above copyright notice, this list of conditions and the following disclaimer.
2. Redistributions in binary form must reproduce the above copyright notice, this list of conditions and the following disclaimer in the documentation and/or other materials provided with the distribution.
3. Neither the name of STMicroelectronics nor the names of its contributors may be used to endorse or promote products derived from this software without specific prior written permission.

THIS SOFTWARE IS PROVIDED BY THE COPYRIGHT HOLDERS AND CONTRIBUTORS "AS IS" AND ANY EXPRESS OR IMPLIED WARRANTIES, INCLUDING, BUT NOT LIMITED TO, THE IMPLIED WARRANTIES OF MERCHANTABILITY AND FITNESS FOR A PARTICULAR PURPOSE ARE DISCLAIMED. IN NO EVENT SHALL THE COPYRIGHT OWNER OR CONTRIBUTORS BE LIABLE FOR ANY DIRECT, INDIRECT, INCIDENTAL, SPECIAL, EXEMPLARY, OR CONSEQUENTIAL DAMAGES (INCLUDING, BUT NOT LIMITED TO, PROCUREMENT OF SUBSTITUTE GOODS OR SERVICES; LOSS OF USE, DATA, OR PROFITS; OR BUSINESS INTERRUPTION) HOWEVER CAUSED AND ON ANY THEORY OF LIABILITY, WHETHER IN CONTRACT, STRICT LIABILITY, OR TORT (INCLUDING NEGLIGENCE OR OTHERWISE) ARISING IN ANY WAY OUT OF THE USE OF THIS SOFTWARE, EVEN IF ADVISED OF THE POSSIBILITY OF SUCH DAMAGE.